



US00D557936S

(12) **United States Design Patent**
Van Es

(10) **Patent No.:** **US D557,936 S**

(45) **Date of Patent:** **** Dec. 25, 2007**

(54) **STAIR STEP DISPLAY**

(76) Inventor: **Anton Van Es**, c/o 4664 Ontario Street,
Beamsville, Ontario (CA) L0R 1B4

(**) Term: **14 Years**

(21) Appl. No.: **29/195,659**

(22) Filed: **Dec. 17, 2003**

(51) **LOC (8) Cl.** **06-04**

(52) **U.S. Cl.** **D6/460**

(58) **Field of Classification Search** D6/464,
D6/456-462, 465-470, 474-476, 350, 426,
D6/404, 405; 108/59, 92; 206/45; 211/13.1,
211/71.1, 196, 85.23, 36; 312/107
See application file for complete search history.

(56) **References Cited**

U.S. PATENT DOCUMENTS

D23,906 S *	12/1894	Symonds	D6/405
D160,378 S *	10/1950	Falkenberg et al.	D6/464
D189,824 S *	2/1961	Harper	D6/465
D273,919 S *	5/1984	Pasinski	D6/350
D308,776 S *	6/1990	Yau Kee	D6/464
D351,072 S *	10/1994	Emalfarb et al.	D6/405
D355,087 S *	2/1995	Billingsley	D6/464
D440,793 S *	4/2001	Iannaccone	D6/449
D471,033 S *	3/2003	Yamaguchi	D6/465

6,820,949 B1 * 11/2004 Caruso 312/107
D538,058 S * 3/2007 Van Es D6/405

* cited by examiner

Primary Examiner—Janice E. Seeger
Assistant Examiner—Sydney R. Buffalow

(57) **CLAIM**

The ornamental design for a stair step display, as shown.

DESCRIPTION

FIG. 1 is a front upright perspective view of our new design the stair step display.

FIG. 2 is a top plan view of the stair step display shown in FIG. 1.

FIG. 3 is a side elevational view of the stair step display shown in FIG. 1.

FIG. 4 is a front elevational view of the stair step display shown in FIG. 1.

FIG. 5 is a front upright perspective view of a second embodiment of our new design the stair step display.

FIG. 6 is front elevational view of the stair step display shown in FIG. 5; and,

FIG. 7 is a side elevational view of the stair step display shown in FIG. 5.

1 Claim, 7 Drawing Sheets

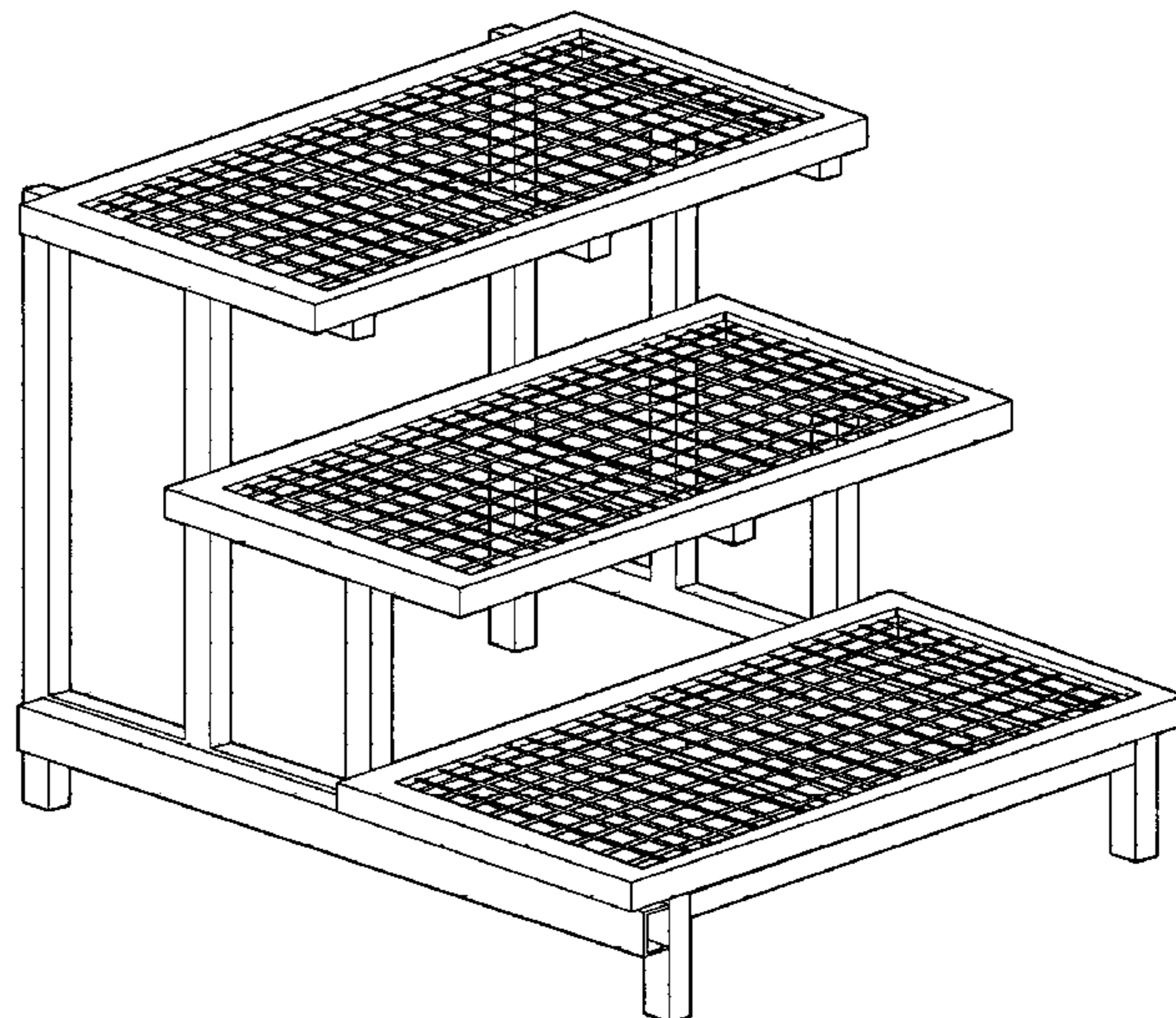
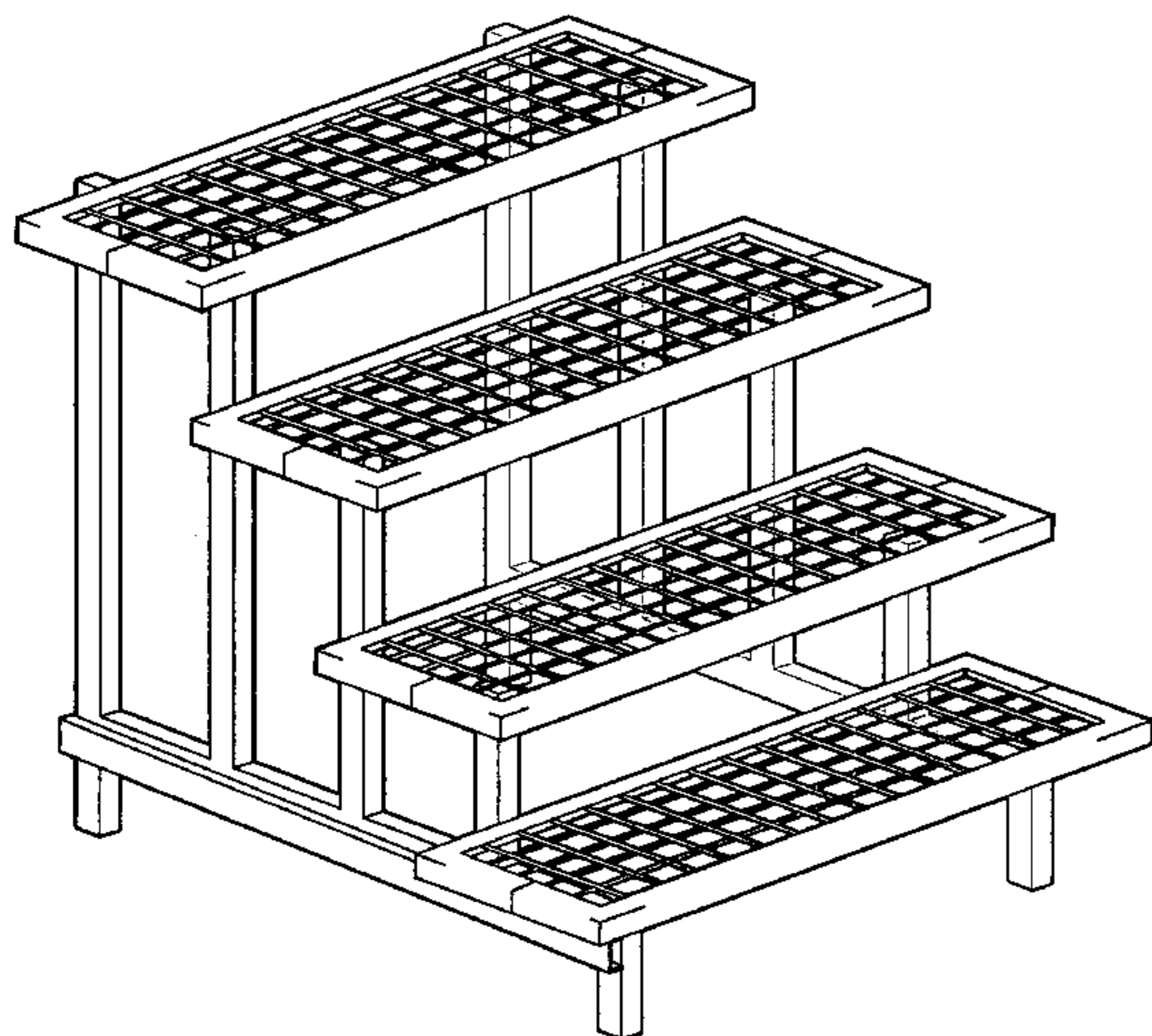


FIG. 1

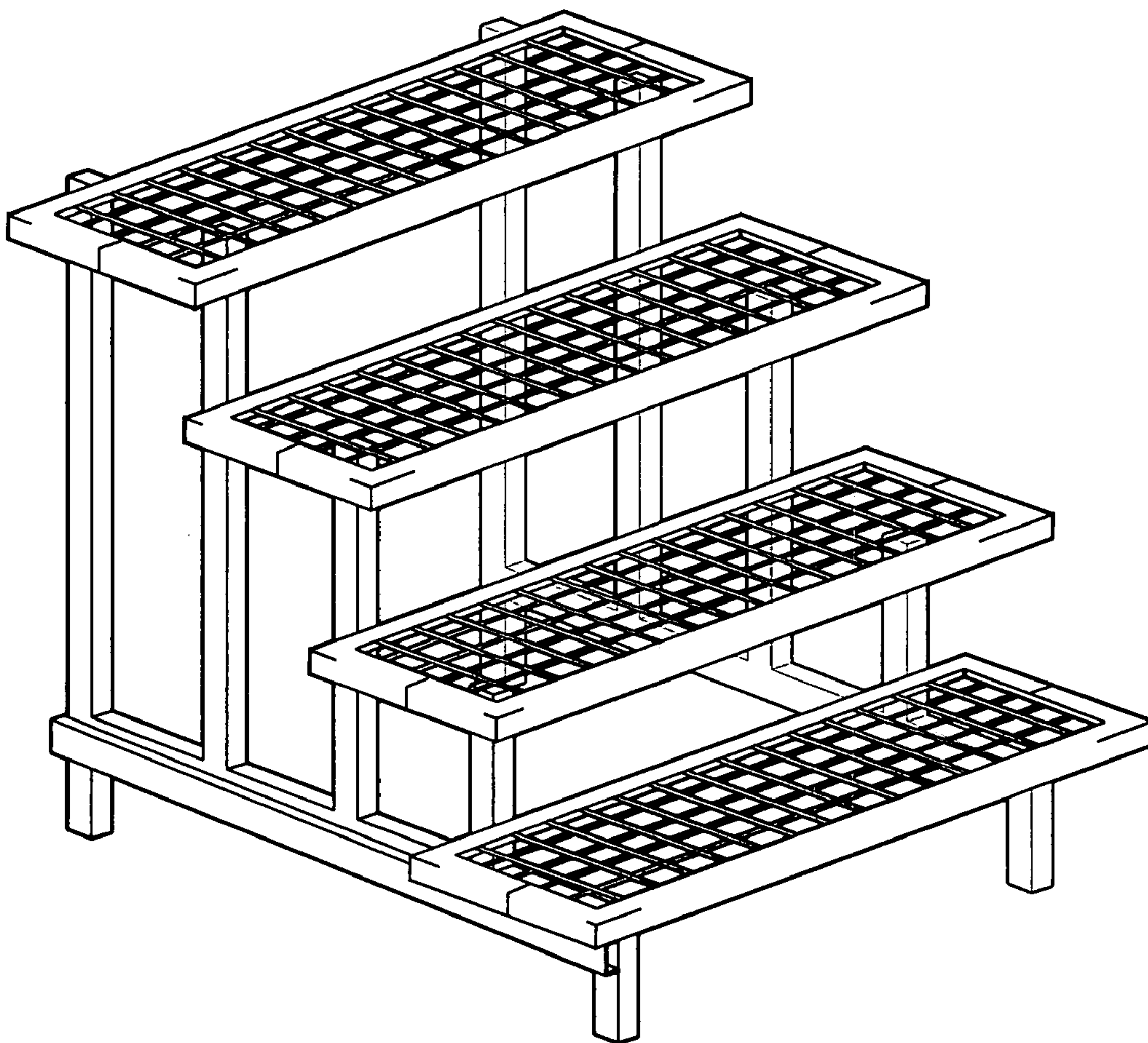


FIG. 2

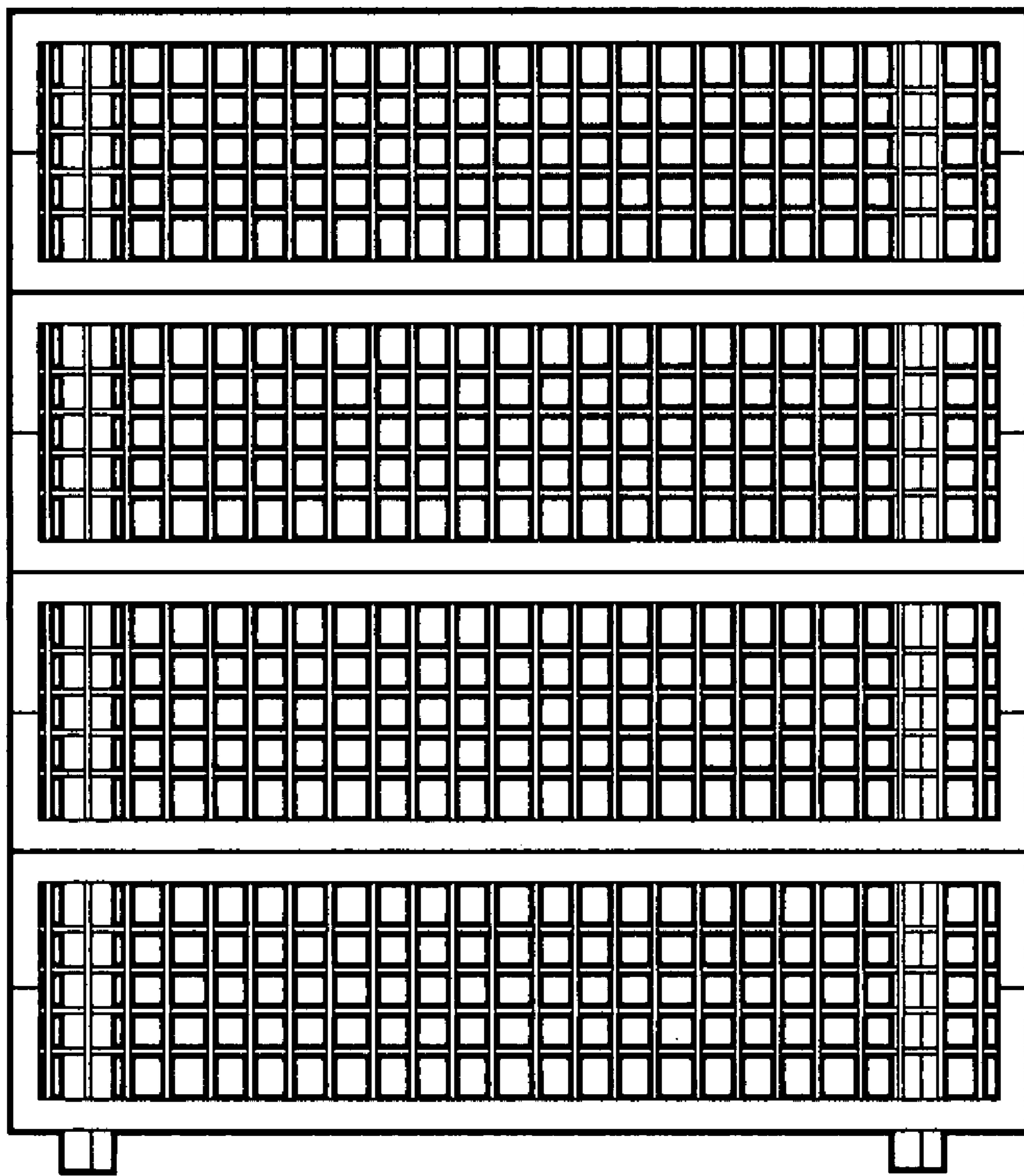


FIG. 3

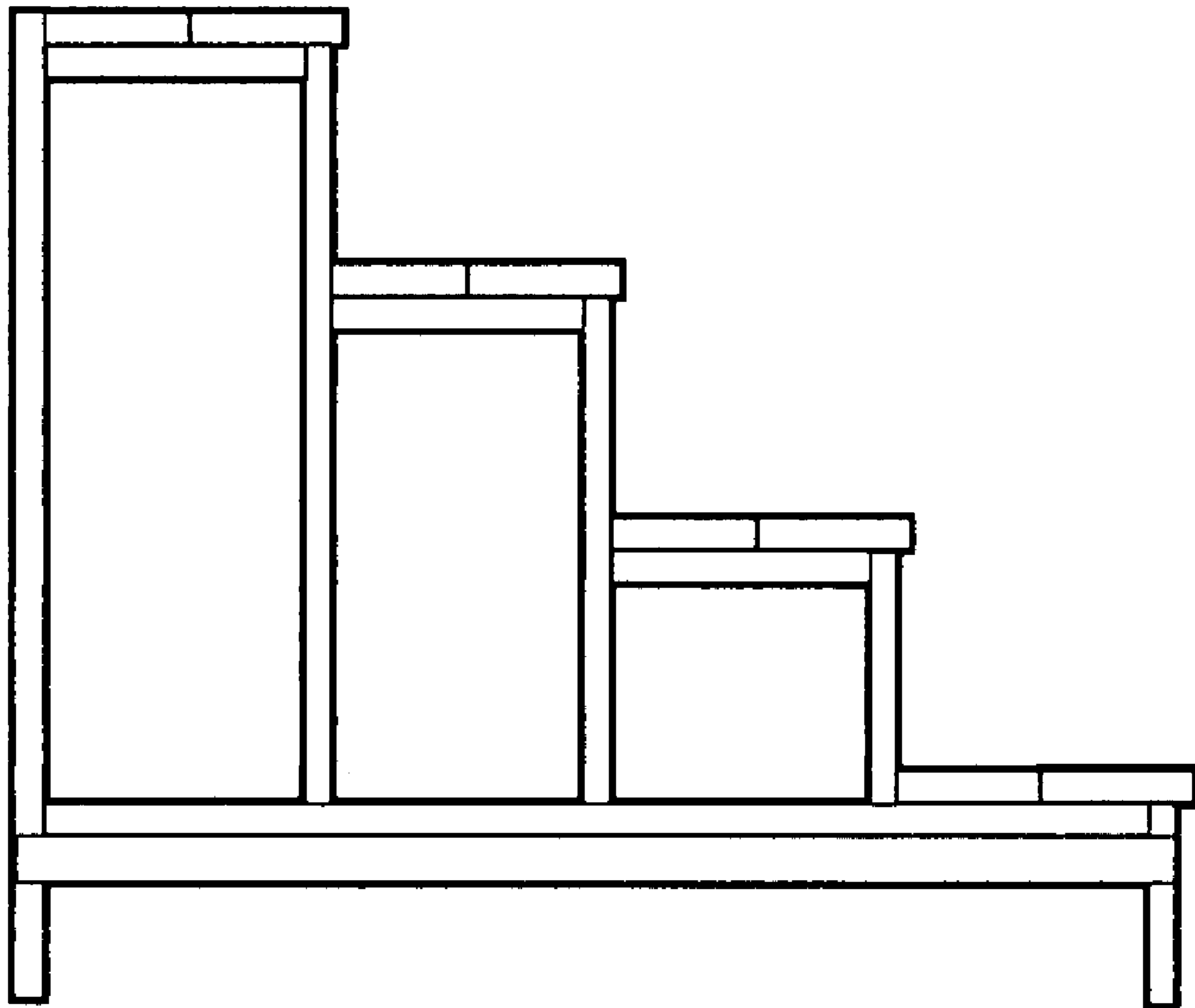


FIG. 4

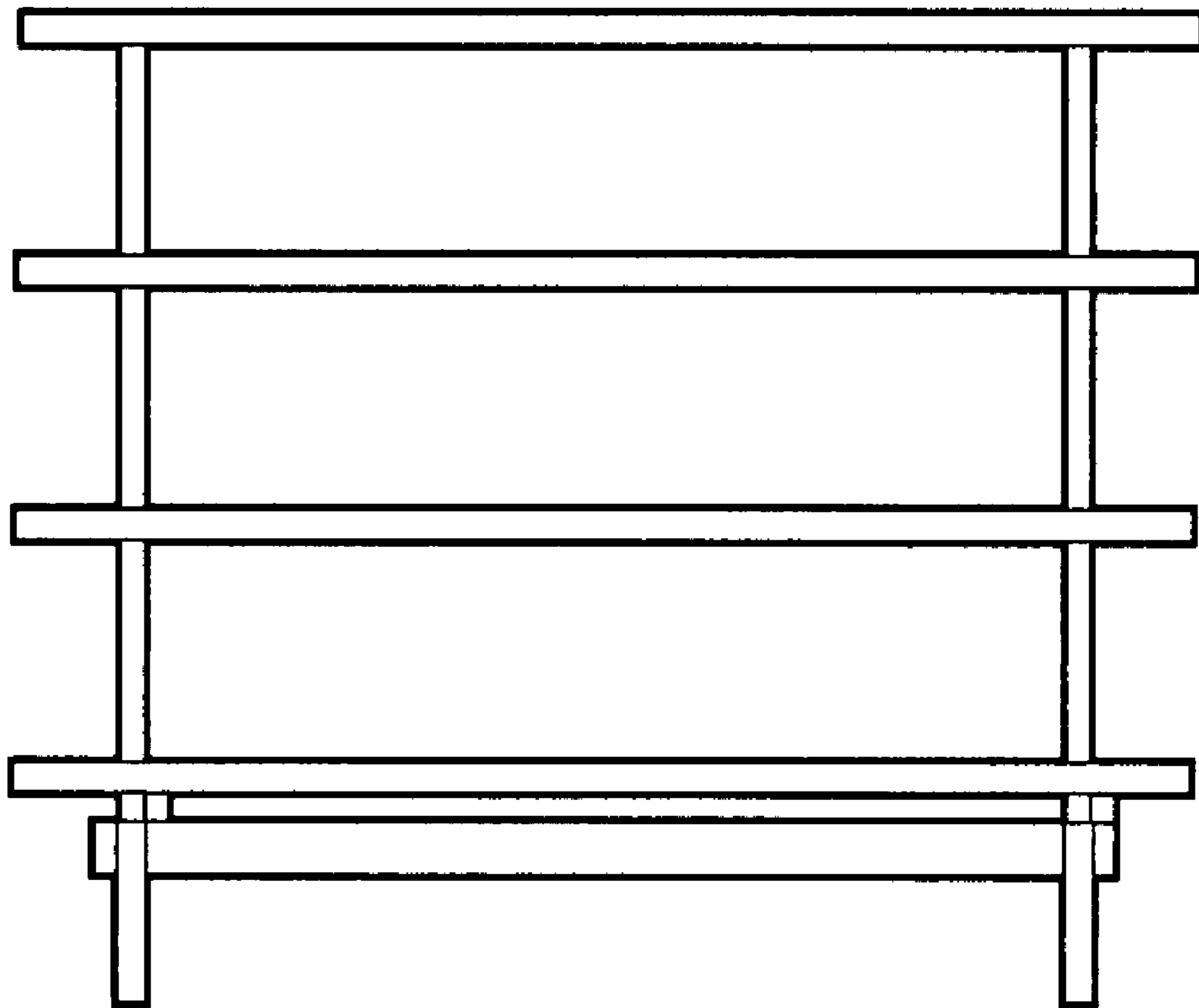


FIG. 5

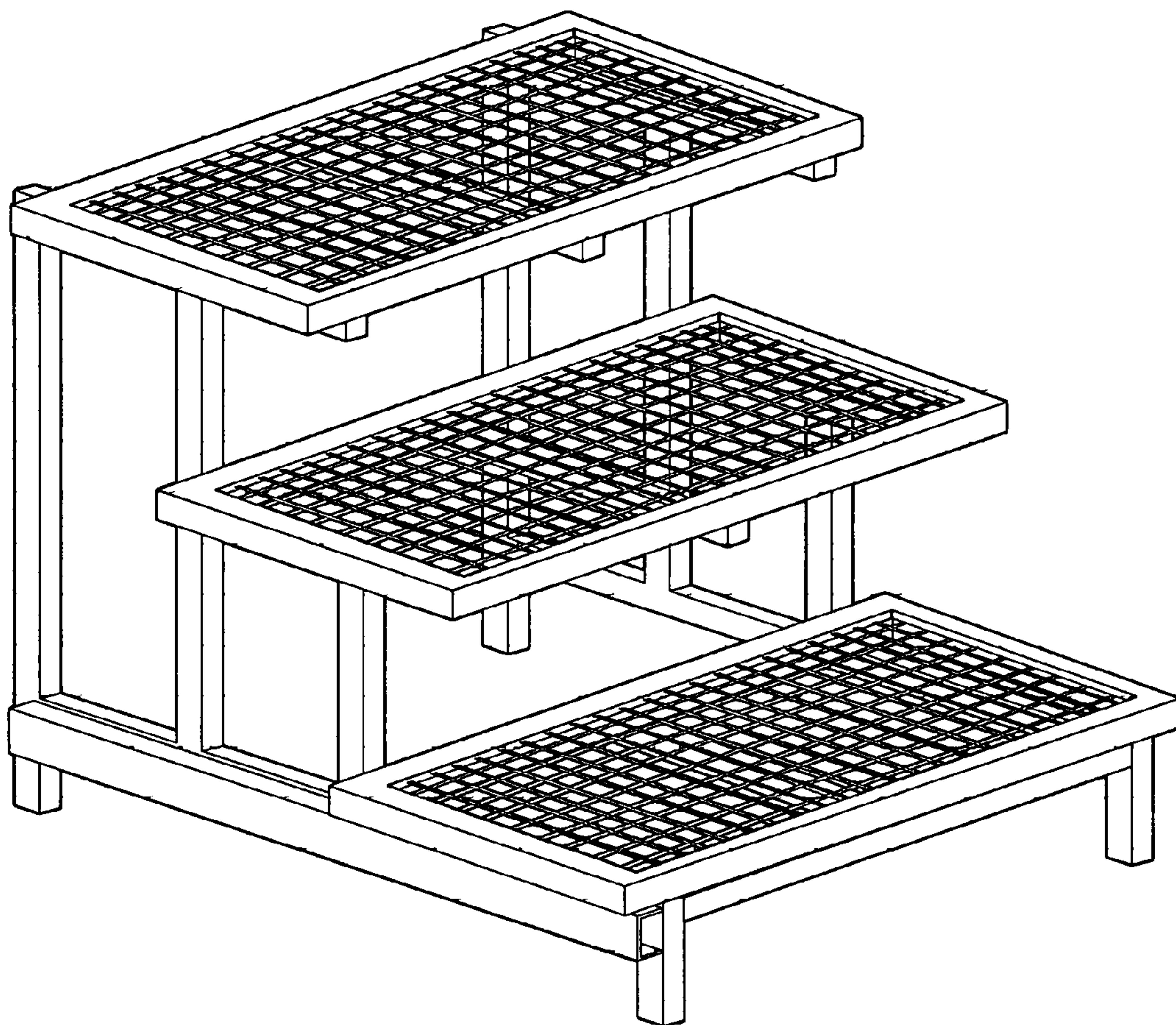


FIG. 6

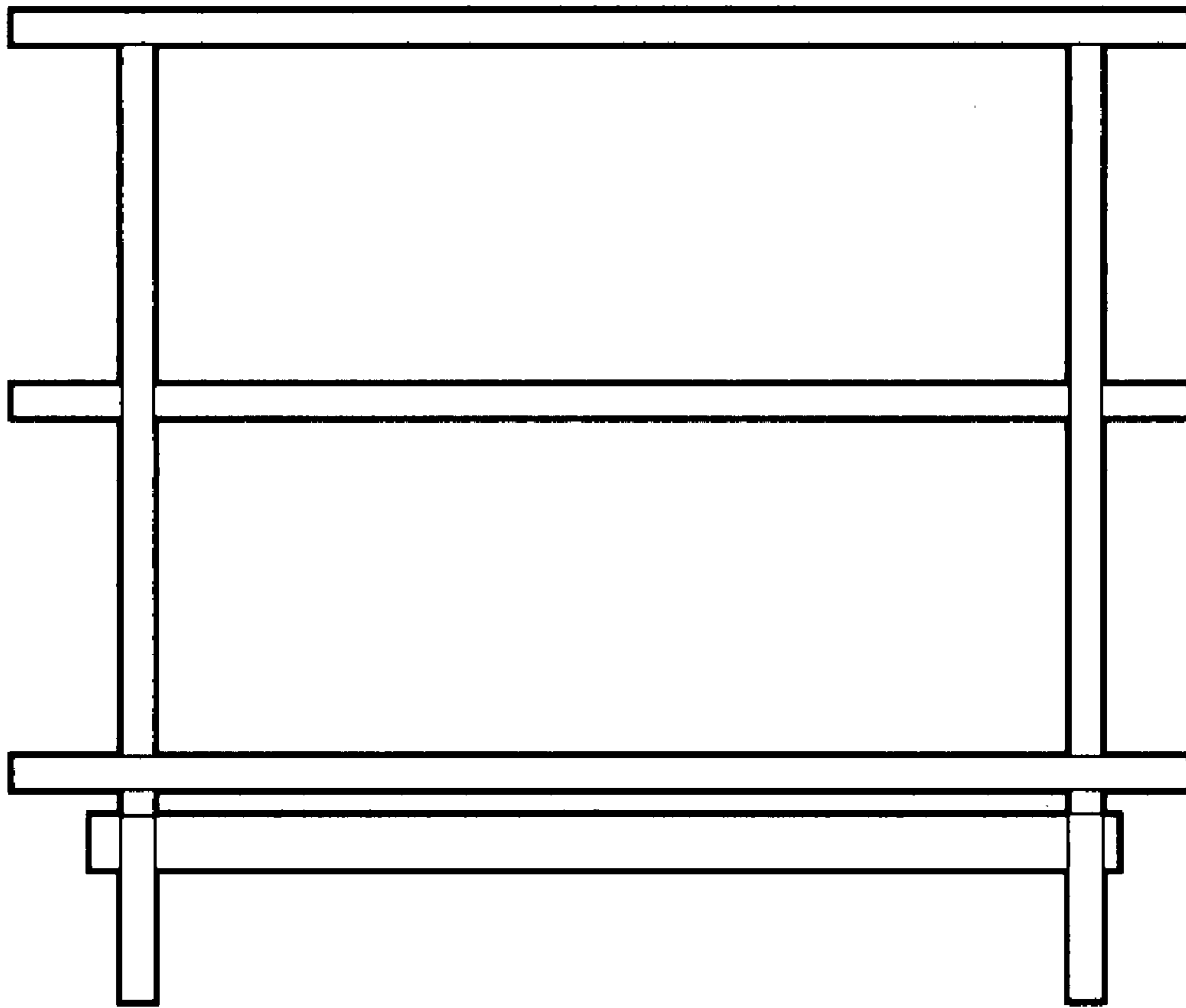


FIG. 7

