



US00D557935S

(12) **United States Design Patent** (10) **Patent No.:** **US D557,935 S**
Weaver, Jr. (45) **Date of Patent:** **** Dec. 25, 2007**

(54) **MUSICAL INSTRUMENT HOLDER**

(76) Inventor: **Thomas C. Weaver, Jr.**, 104 S. Springvalley Rd., McMurray, PA (US) 15317

(**) Term: **14 Years**

(21) Appl. No.: **29/277,894**

(22) Filed: **Mar. 13, 2007**

Related U.S. Application Data

(62) Division of application No. 29/222,318, filed on Jan. 27, 2005, now Pat. No. Des. 543,053.

(51) **LOC (8) Cl.** **06-04**

(52) **U.S. Cl.** **D6/450**

(58) **Field of Classification Search** D6/450, D6/466, 467, 303, 512, 629; D17/99; 211/85.6; 248/441.1, 450, 442.2, 451, 454-456, 121, 248/133, 152, 174, 176.1

See application file for complete search history.

(56) **References Cited**

U.S. PATENT DOCUMENTS

4,176,580 A	12/1979	Gallegos
4,328,733 A	5/1982	Smith
D283,032 S	3/1986	Quesnel
5,000,071 A	3/1991	Thomas
D316,000 S	4/1991	Logan et al.
D353,729 S	12/1994	MacOwan
D357,828 S	5/1995	Liao
D360,330 S	7/1995	Ankeney
D360,427 S	7/1995	Gracie
D361,451 S	8/1995	Reiland
5,560,497 A	10/1996	Mulvihill, Jr.
5,649,634 A	7/1997	Irizarry
D389,341 S	1/1998	Danner et al.
D396,579 S	8/1998	Kalayjian
D407,240 S	3/1999	Payne
D411,698 S	6/1999	Kalayjian
5,911,396 A	6/1999	Bireley

5,941,490 A	8/1999	Pearse
6,015,121 A	1/2000	Reid
6,091,011 A	7/2000	Simons et al.
6,121,527 A	9/2000	Hamm
D436,465 S	1/2001	Berkman
6,198,031 B1	3/2001	Jones
6,204,440 B1	3/2001	Yu
6,231,018 B1	5/2001	Barbieri
6,296,213 B1	10/2001	Law, III et al.
6,316,706 B1	11/2001	Sammons
2003/0167902 A1	9/2003	Hiner et al.

Primary Examiner—Robert M. Spear

Assistant Examiner—Sydney R. Buffalow

(74) *Attorney, Agent, or Firm*—Reed Smith LLP

(57) **CLAIM**

The ornamental design for a musical instrument holder, as shown and described.

DESCRIPTION

FIG. 1 is a perspective view of a musical instrument holder in accordance with my new design.

FIG. 2 is a front view of the musical instrument holder shown in FIG. 1.

FIG. 3 is a back view of the musical instrument holder shown in FIG. 1.

FIG. 4 is a left side view of the musical instrument holder shown in FIG. 1.

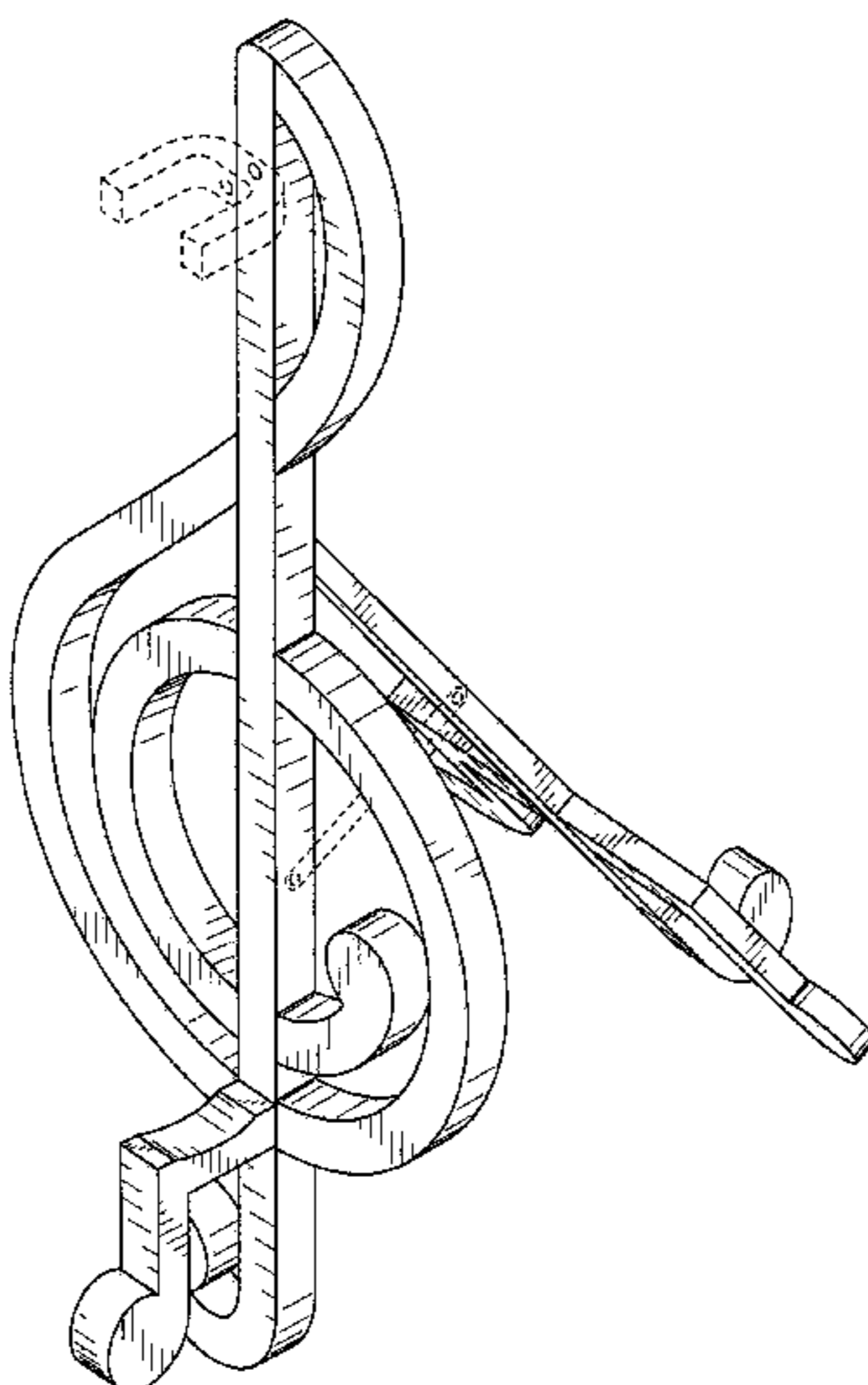
FIG. 5 is a right side view of the musical instrument holder shown in FIG. 1.

FIG. 6 is a top view of the musical instrument holder shown in FIG. 1; and,

FIG. 7 is a bottom view of the musical instrument holder shown in FIG. 1.

The broken line showing of the musical instrument holder in FIGS. 1-7 is for illustrative purposes and forms no part of the claimed design.

1 Claim, 7 Drawing Sheets



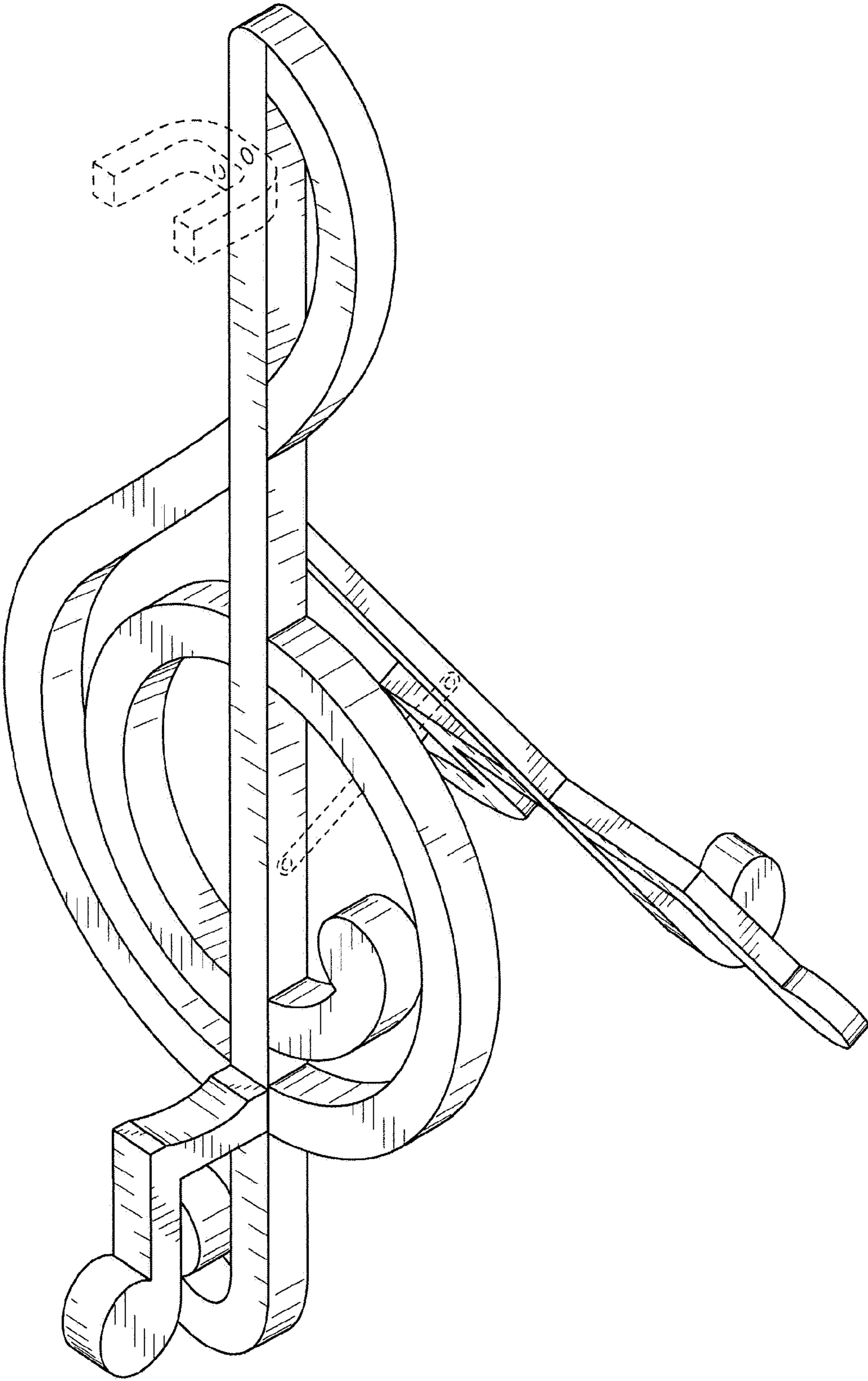


FIG. 1

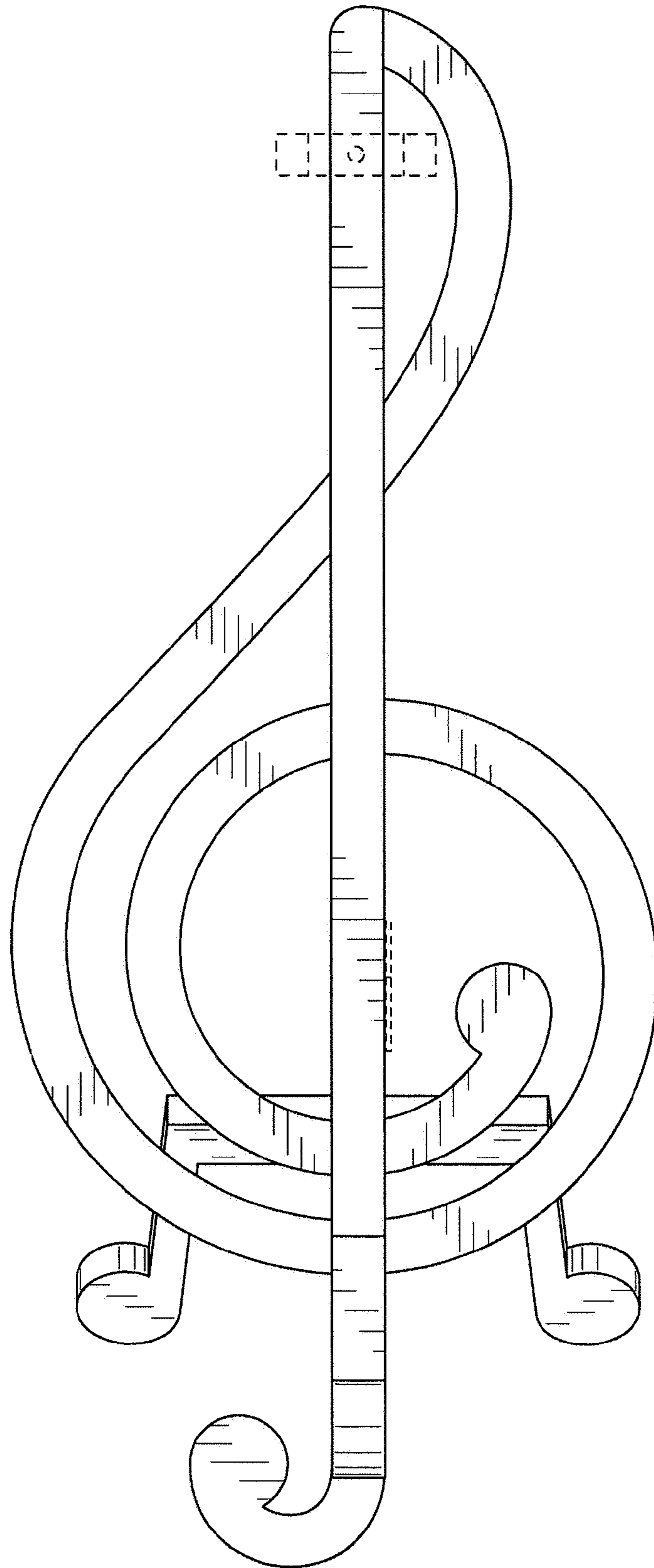


FIG. 2

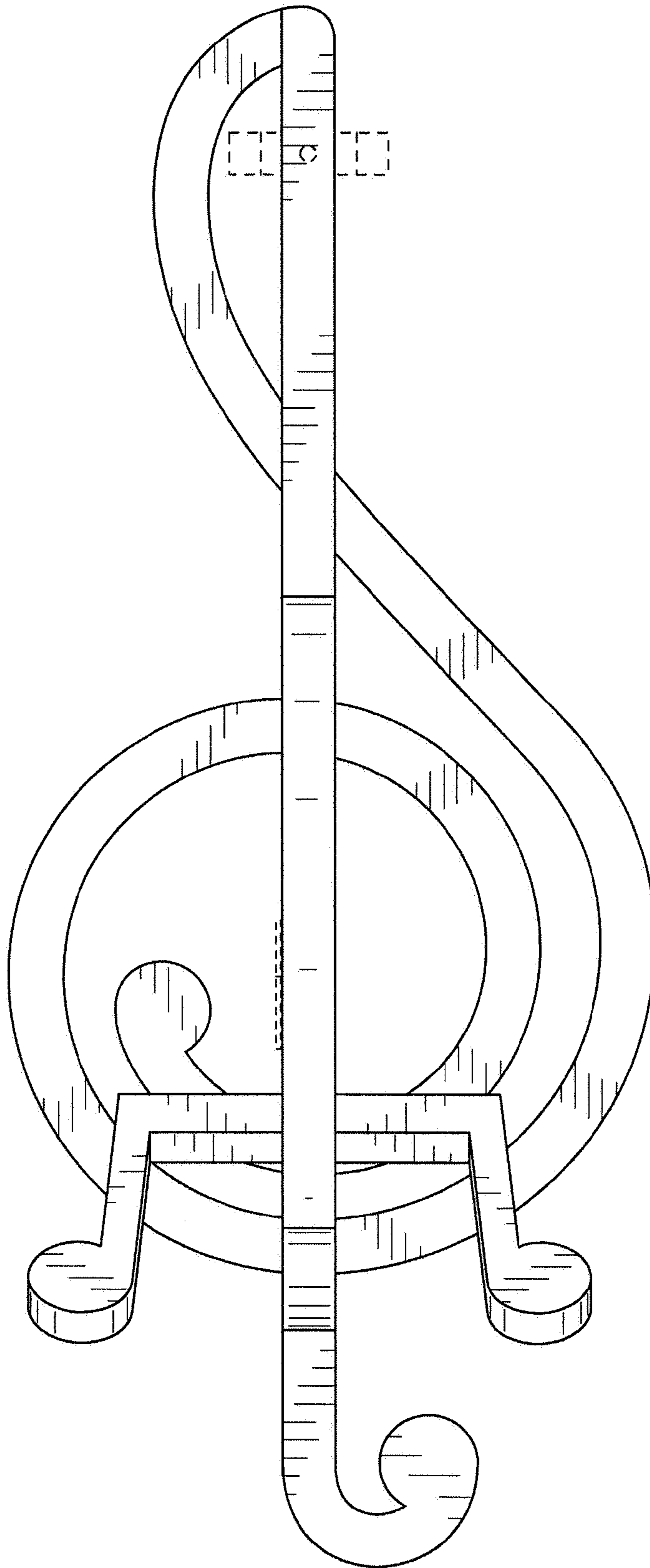


FIG. 3

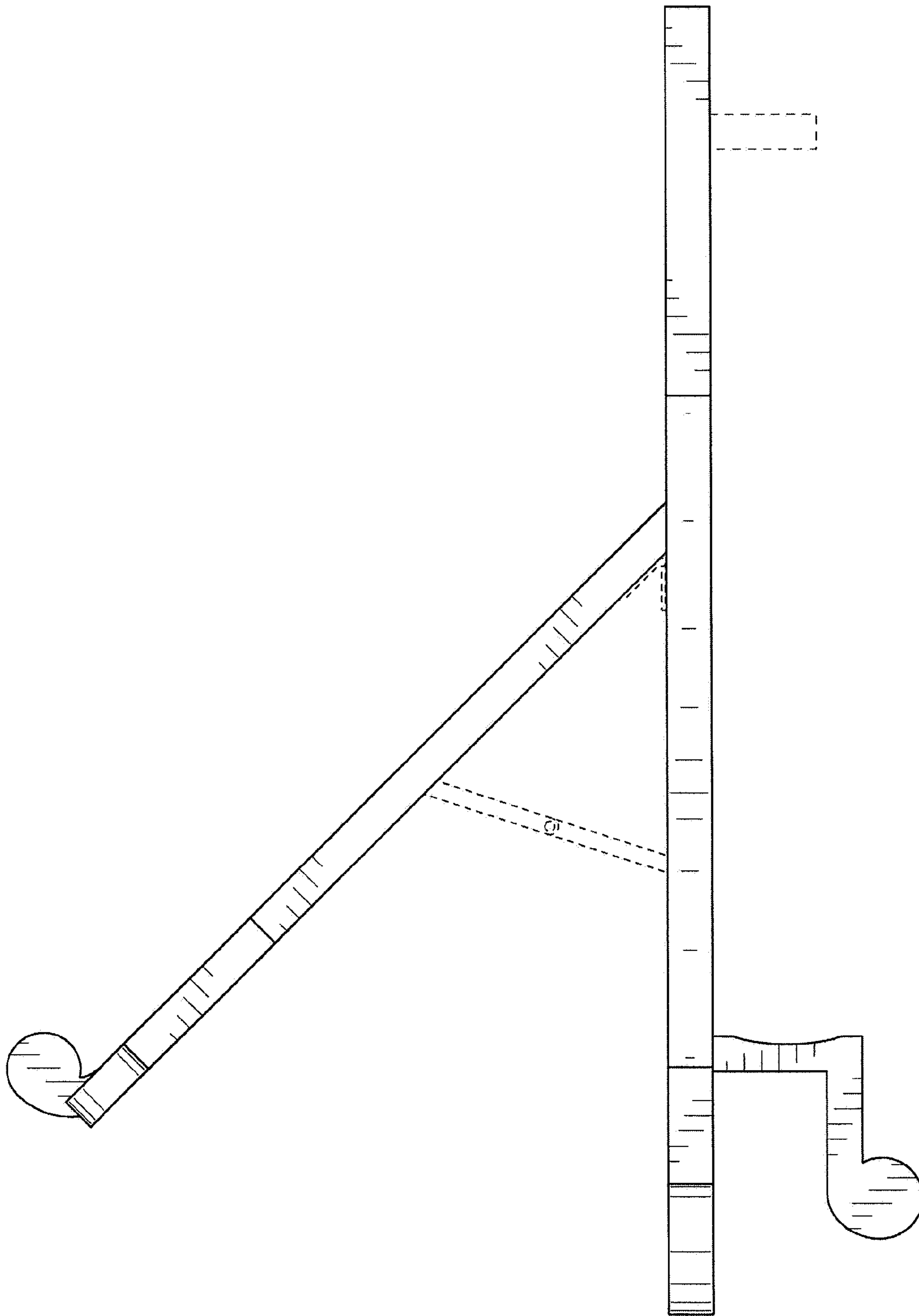


FIG. 4

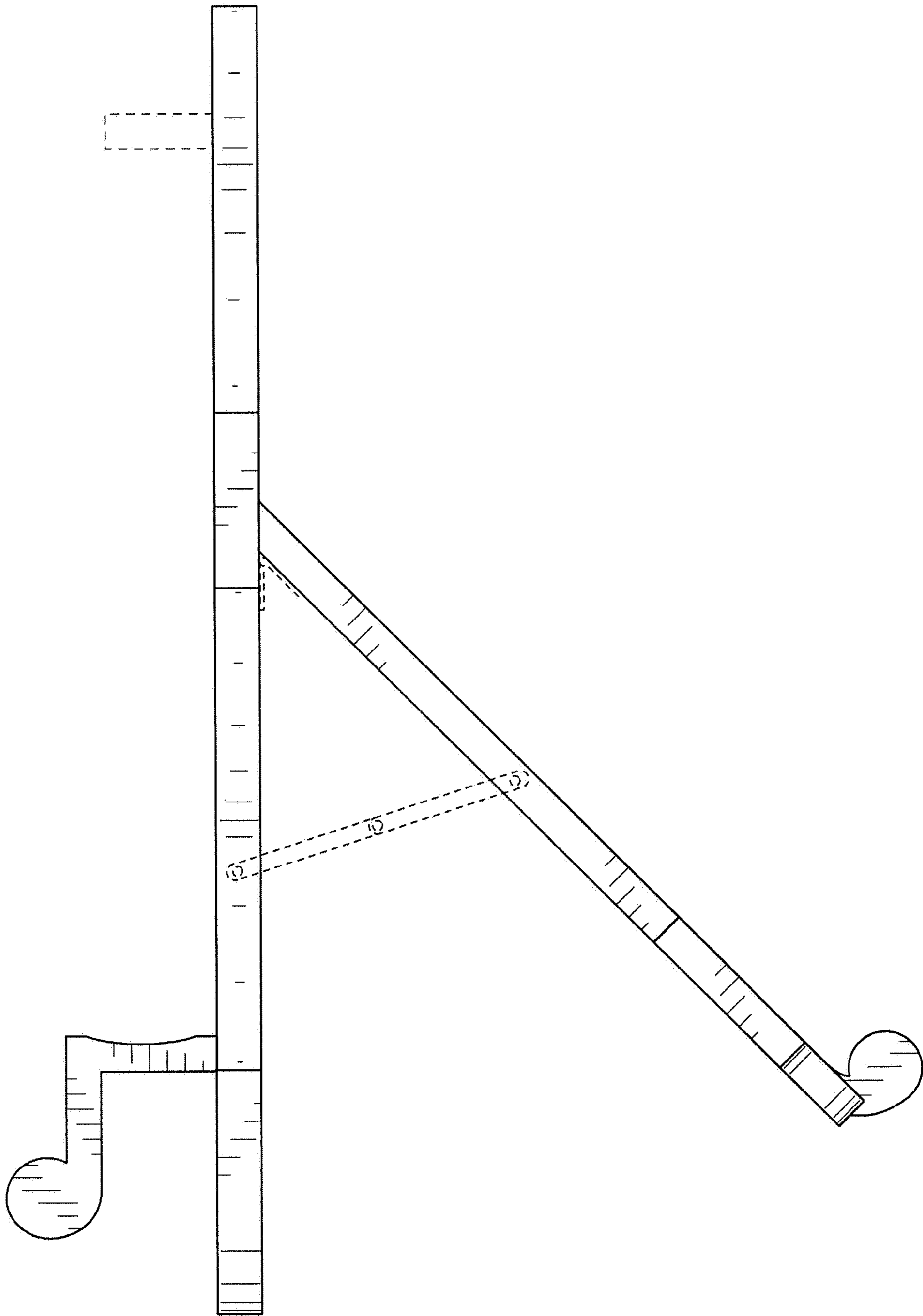


FIG. 5

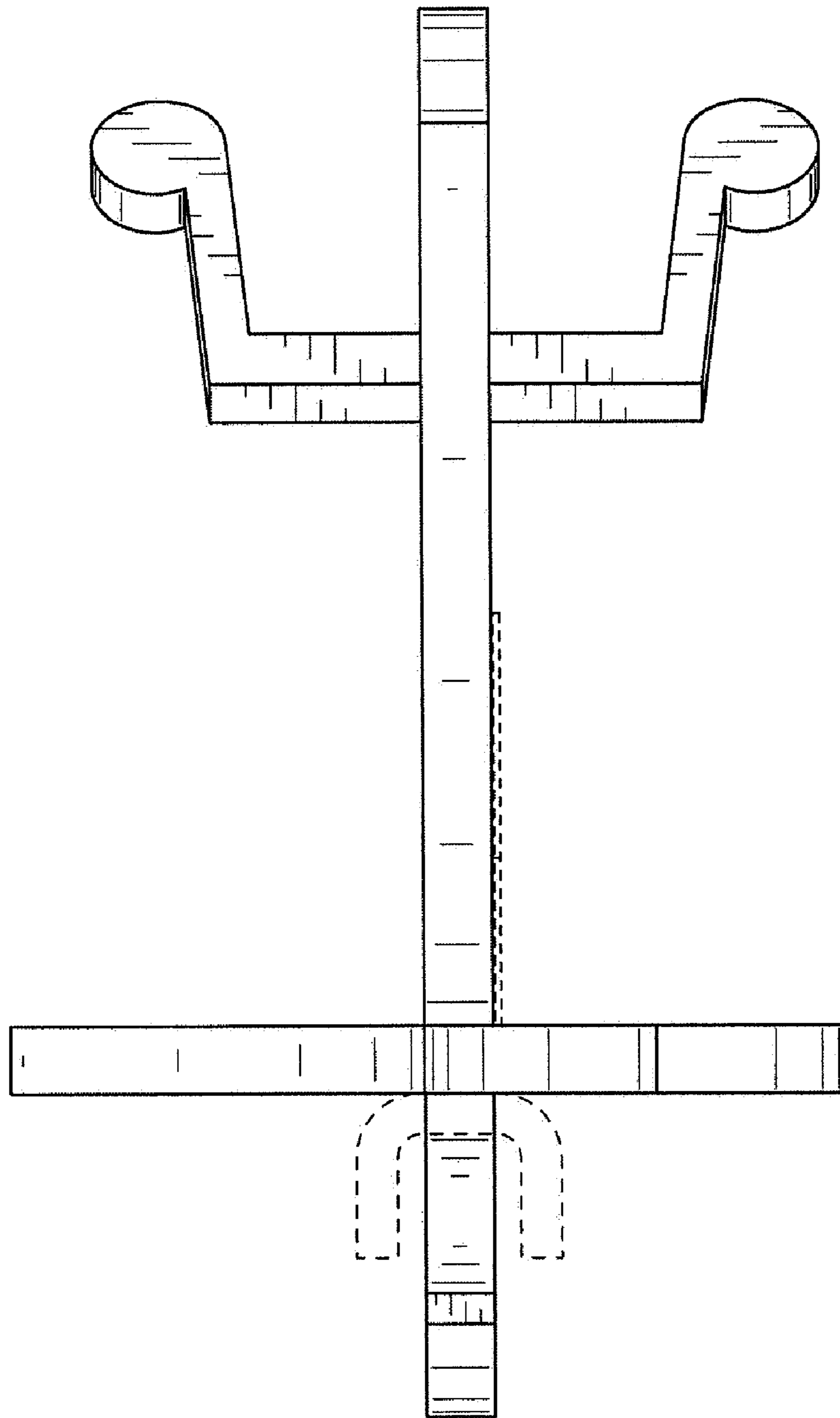


FIG. 6

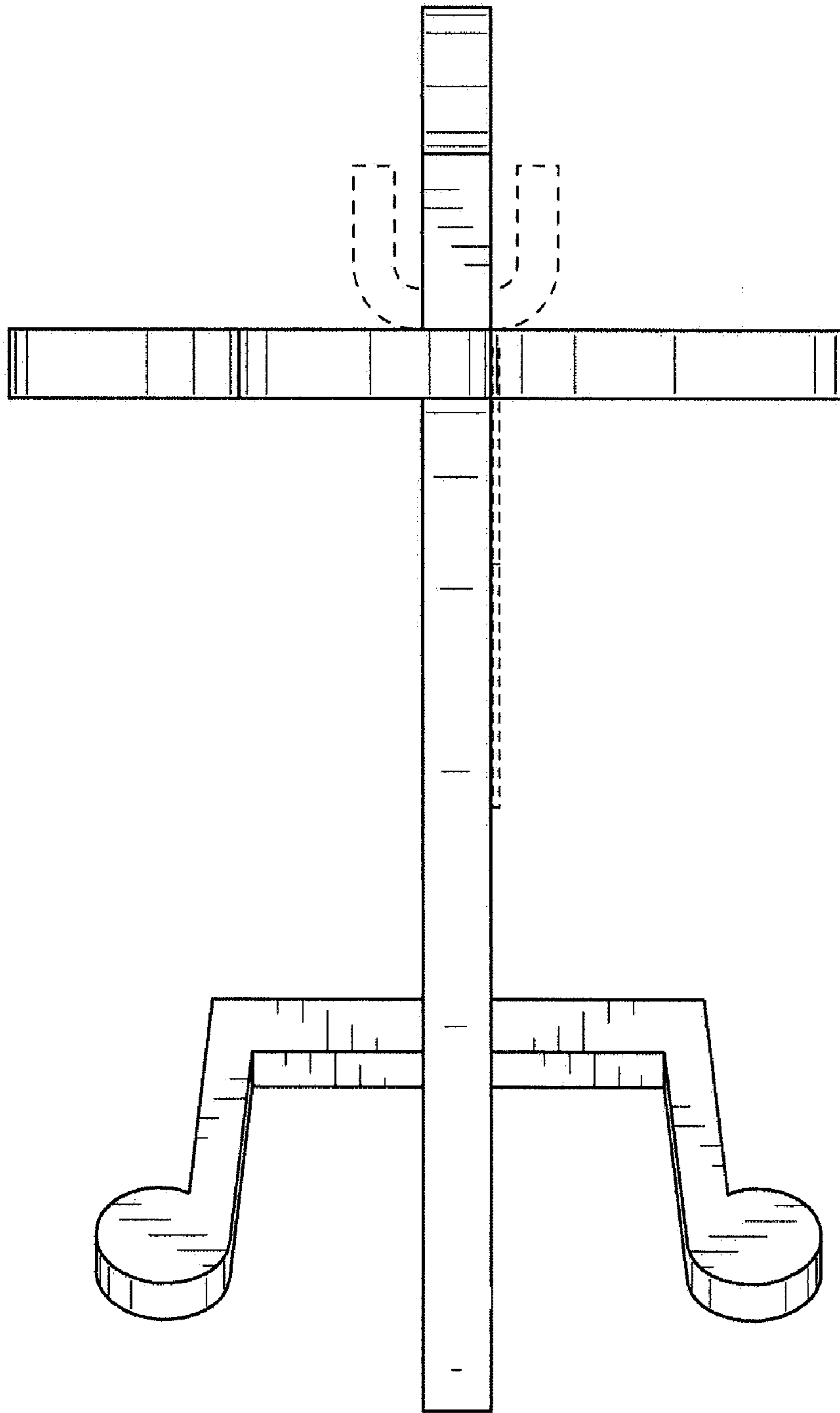


FIG. 7