



US00D557929S

(12) **United States Design Patent**
Loggins et al.

(10) **Patent No.:** **US D557,929 S**

(45) **Date of Patent:** **** Dec. 25, 2007**

(54) **ARTICLE CARRYING STAND**

(76) Inventors: **David Loggins**, 406 N. B St., Easley, SC (US) 29640; **Michael J. Lawrence**, 500 Sheffield Rd., Easley, SC (US) 29642

(**) Term: **14 Years**

(21) Appl. No.: **29/168,289**

(22) Filed: **Jun. 11, 2004**

(51) **LOC (8) Cl.** **06-01**

(52) **U.S. Cl.** **D6/417**

(58) **Field of Classification Search** D6/417,
D6/396; 248/156, 516, 530, 533, 545, 146;
211/62, 13.1; D8/356; D7/620, 707
See application file for complete search history.

(56) **References Cited**

U.S. PATENT DOCUMENTS

4,334,661	A *	6/1982	Pitt	248/146
D299,294	S *	1/1989	Paci	D6/417
D322,181	S *	12/1991	Georgopoulos et al.	D6/417
D323,751	S *	2/1992	Hinrikus	D8/356
D325,678	S *	4/1992	Niles	D6/417

D366,600	S *	1/1996	Laskowski et al.	D7/620
D390,040	S *	2/1998	Matz	D6/417
D405,292	S *	2/1999	Reese	D6/417
D527,231	S *	8/2006	Perotti et al.	D7/707

* cited by examiner

Primary Examiner—Janice E. Seeger

Assistant Examiner—Sydney R. Buffalow

(74) *Attorney, Agent, or Firm*—Leatherwood Walker Todd & Mann, P.C.; Thomas W. Epting

(57) **CLAIM**

The ornamental design for an article carrying stand, as shown and described.

DESCRIPTION

FIG. 1 is a perspective view of an article carrying stand showing our new design;

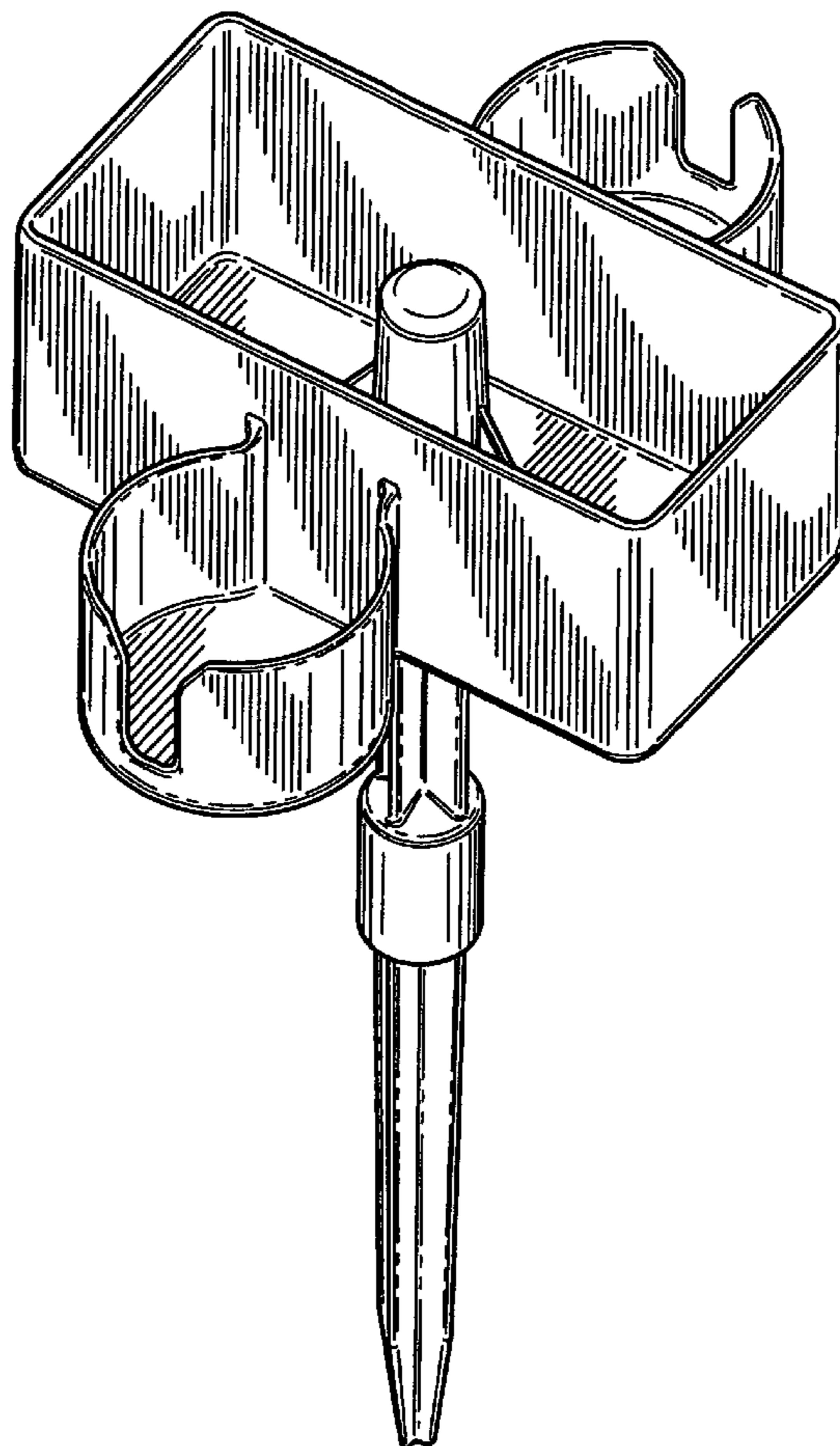
FIG. 2 is a frontal elevational view thereof;

FIG. 3 is right side elevational view thereof;

FIG. 4 is a top plan view thereof; and,

FIG. 5 is a bottom plan view there.

1 Claim, 4 Drawing Sheets



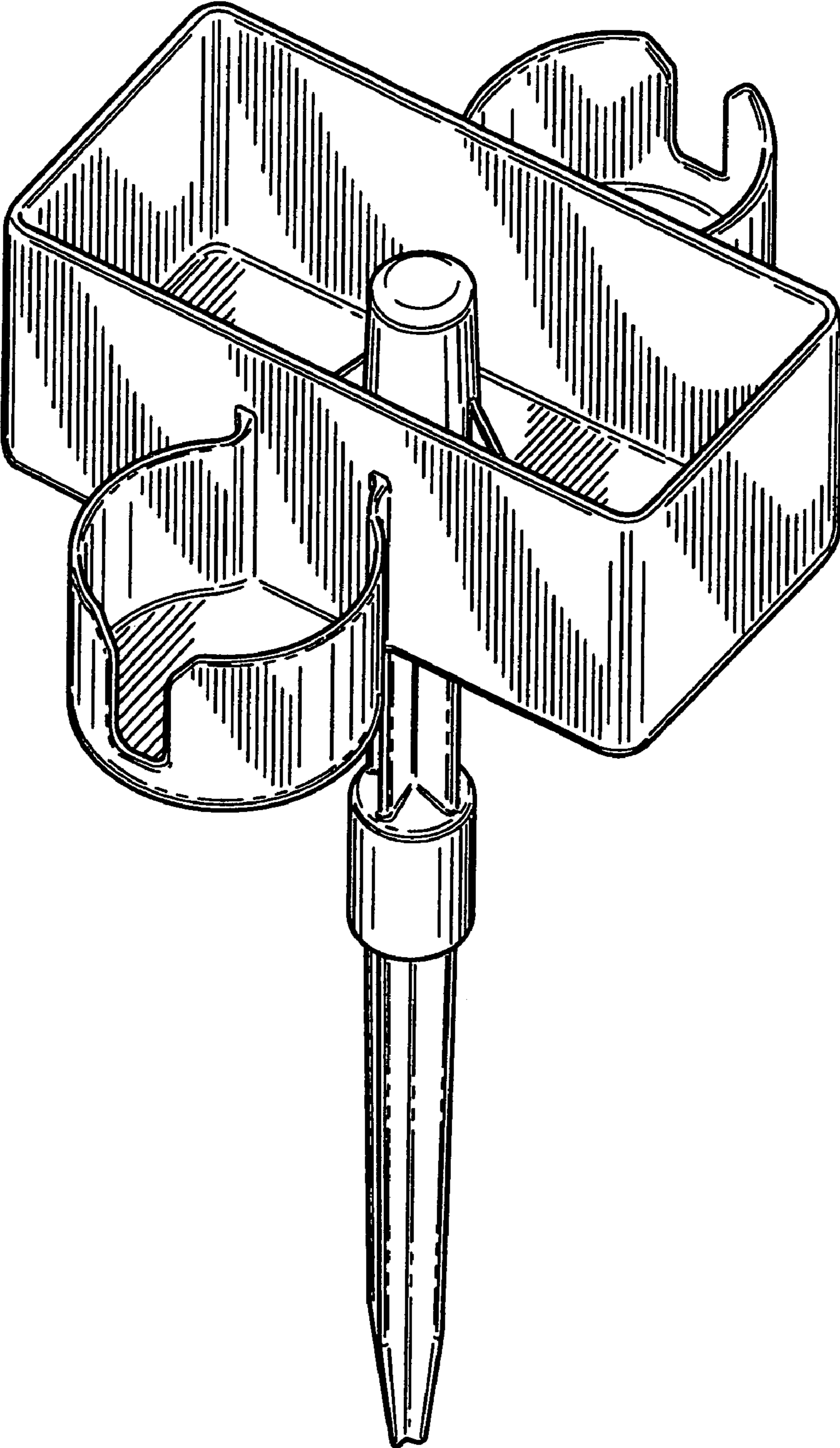


Fig. 1

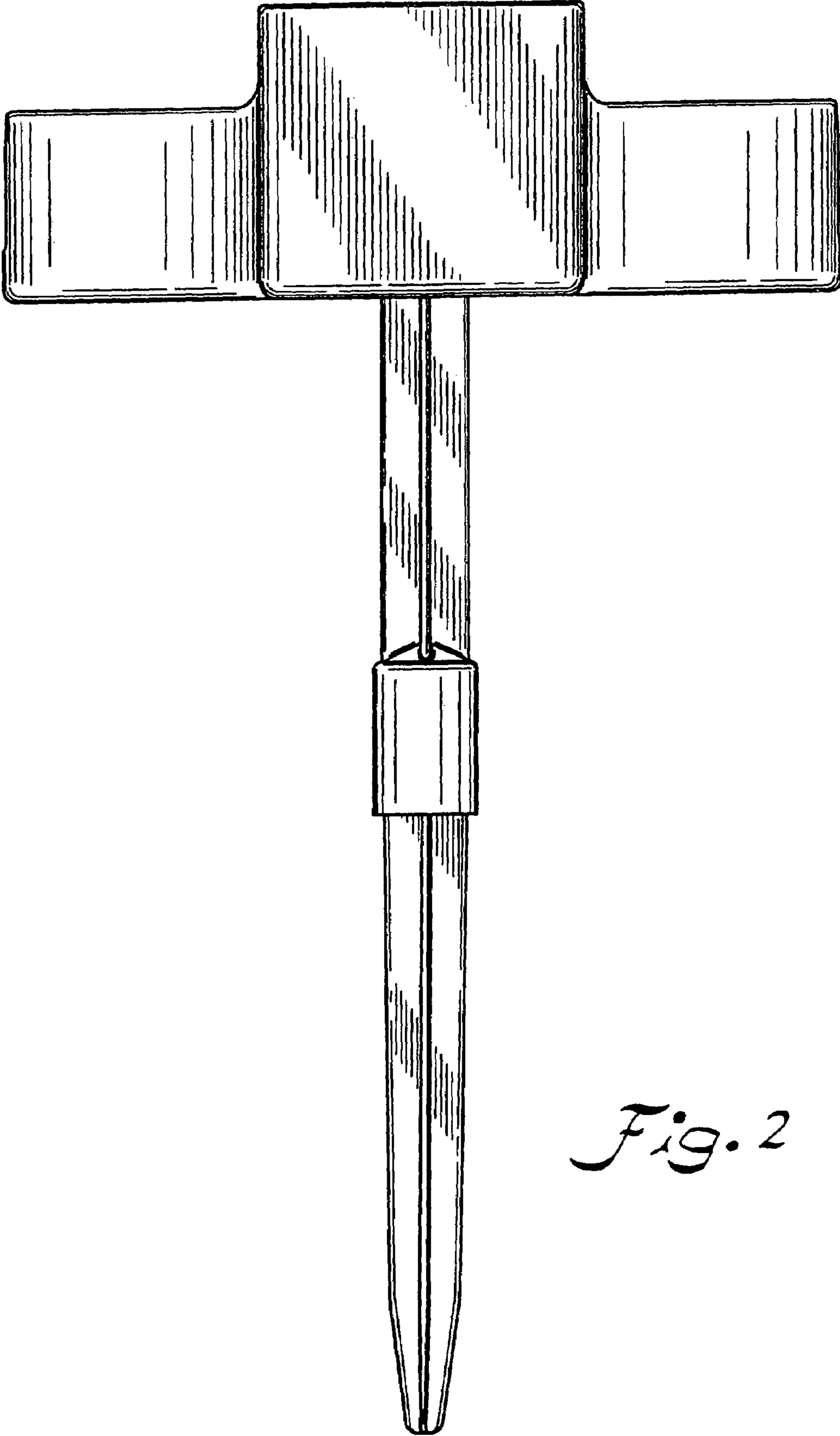


Fig. 2

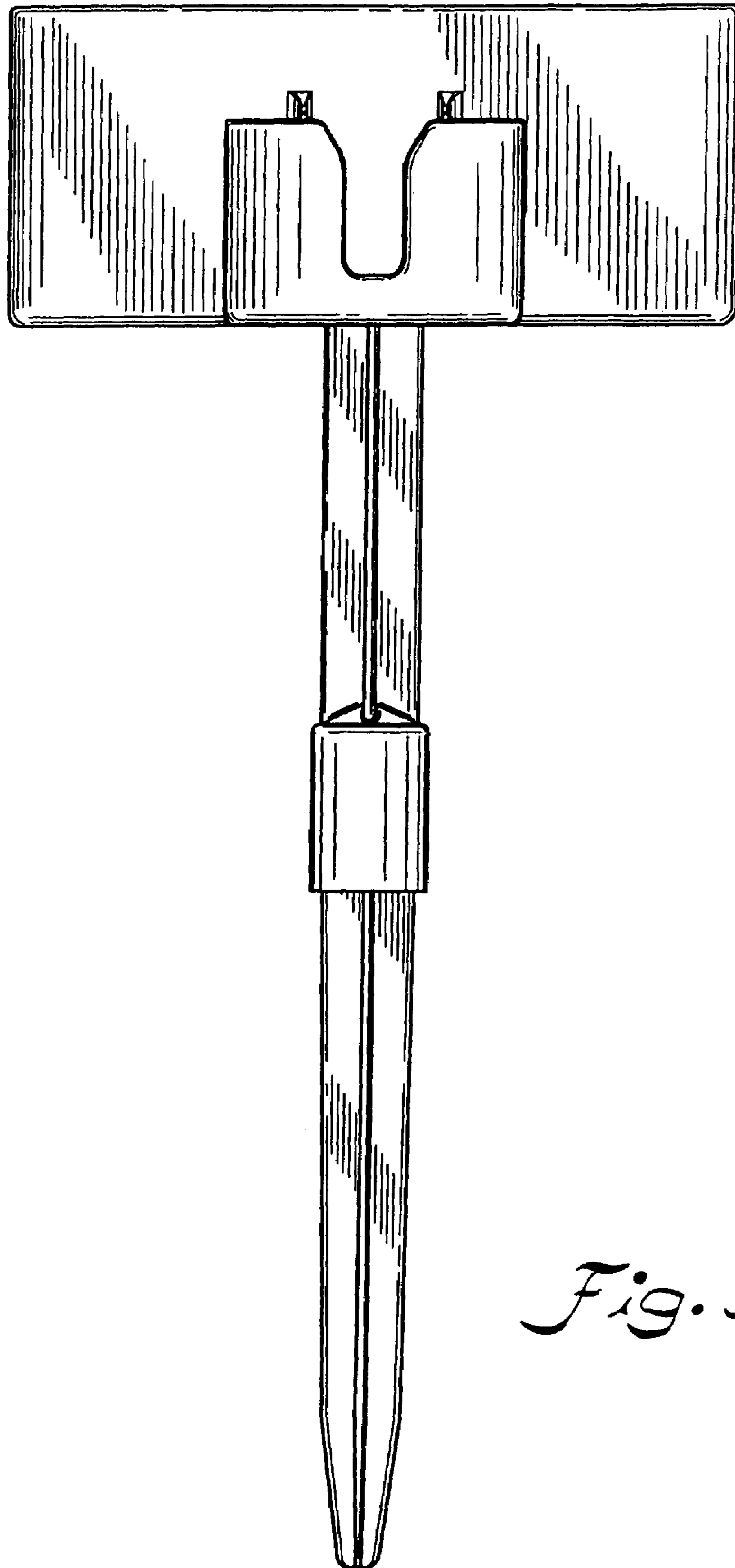


Fig. 3

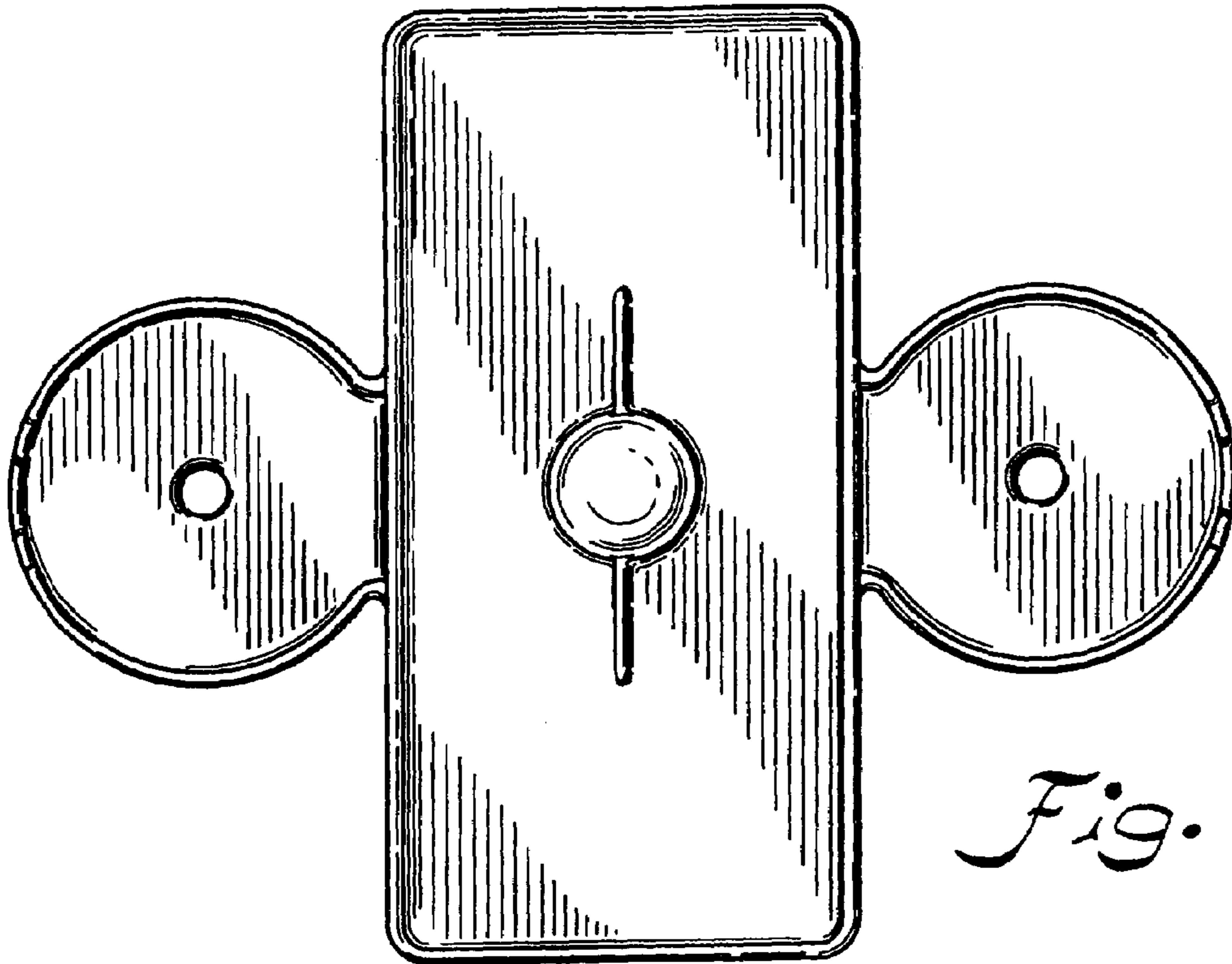


Fig. 4

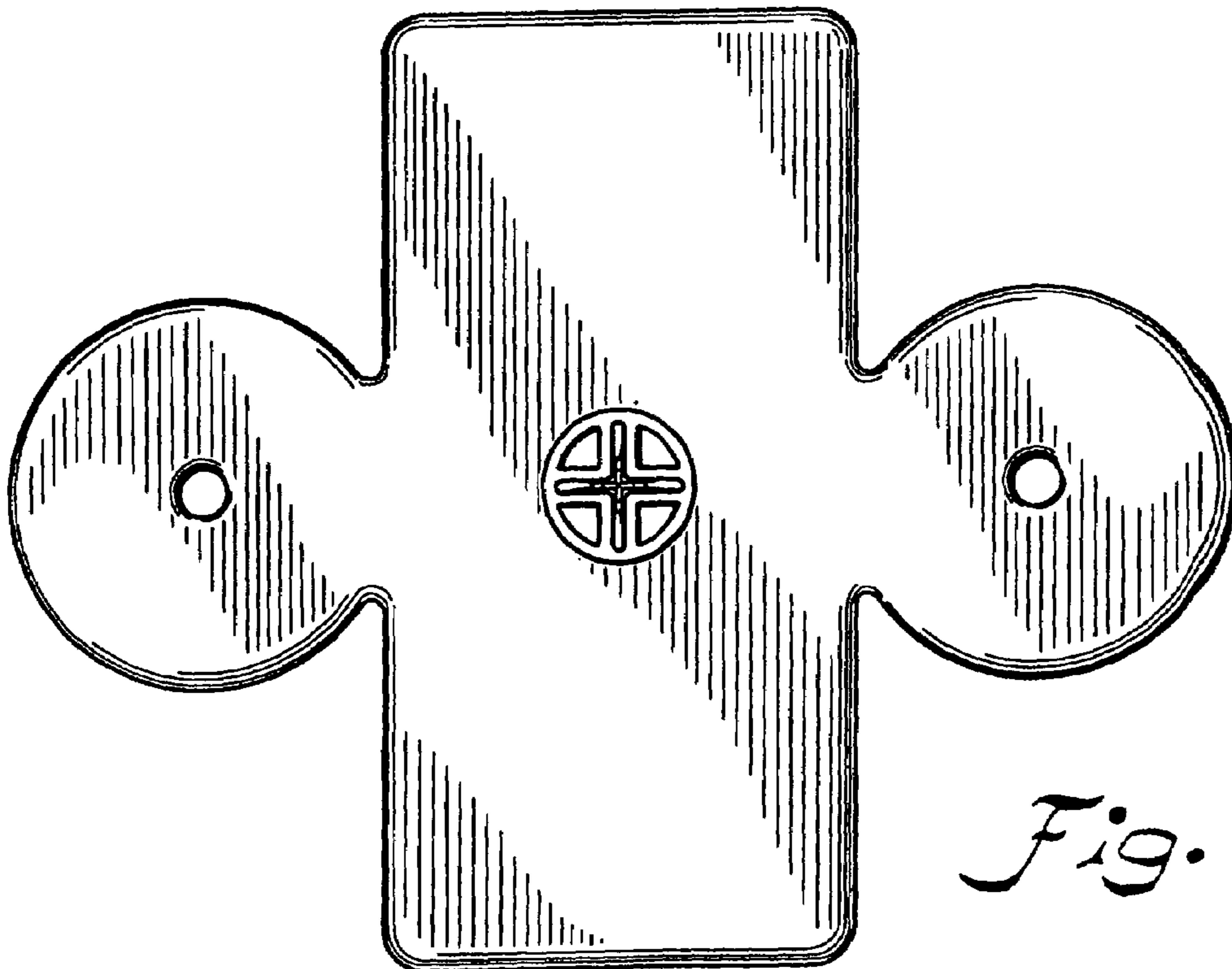


Fig. 5