



US00D557928S

(12) **United States Design Patent**
Lau

(10) **Patent No.:** **US D557,928 S**

(45) **Date of Patent:** **** Dec. 25, 2007**

(54) **HUB**
(75) Inventor: **Kwok Din Lau**, Chaiwan (HK)
(73) Assignee: **Finest Products Limited**, Chaiwan (HK)
(**) Term: **14 Years**
(21) Appl. No.: **29/247,056**
(22) Filed: **May 26, 2006**

2005/0173273 A1 8/2005 Marsilio et al.

* cited by examiner

Primary Examiner—Ian Simmons

Assistant Examiner—Charles D Hanson

(74) *Attorney, Agent, or Firm*—Danton K. Mak, Esq.; Sheldon Mak Rose & Anderson PC

(51) **LOC (8) Cl.** **06-02**
(52) **U.S. Cl.** **D6/407**
(58) **Field of Classification Search** D6/407,
D6/626–635; D3/294, 295, 299; D14/474,
D14/478, 477; 211/40, 41.1, 41.12; 206/307,
206/307.1, 308.1, 309, 311, 312, 313, 310,
206/751; 720/718–721; D19/75
See application file for complete search history.

(57) **CLAIM**

The ornamental design for a hub, as shown and described.

DESCRIPTION

FIG. 1 is a front perspective view of the hub showing my new design;

FIG. 2 is another front perspective view of the hub of FIG. 1;

FIG. 3 is a rear perspective view of the hub of FIG. 1;

FIG. 4 is a front view of the hub of FIG. 1;

FIG. 5 is a rear view of the hub of FIG. 1;

FIG. 6 is a top side view of the hub of FIG. 1, along lines 6–6;

FIG. 7 is a bottom side view of the hub of FIG. 1, along lines 7–7;

FIG. 8 is a cross sectional view of the hub of FIG. 1, shown along line 8–8; and,

FIG. 9 is a cross sectional view of one of the tabs of the hub of FIG. 1, shown along line 9.

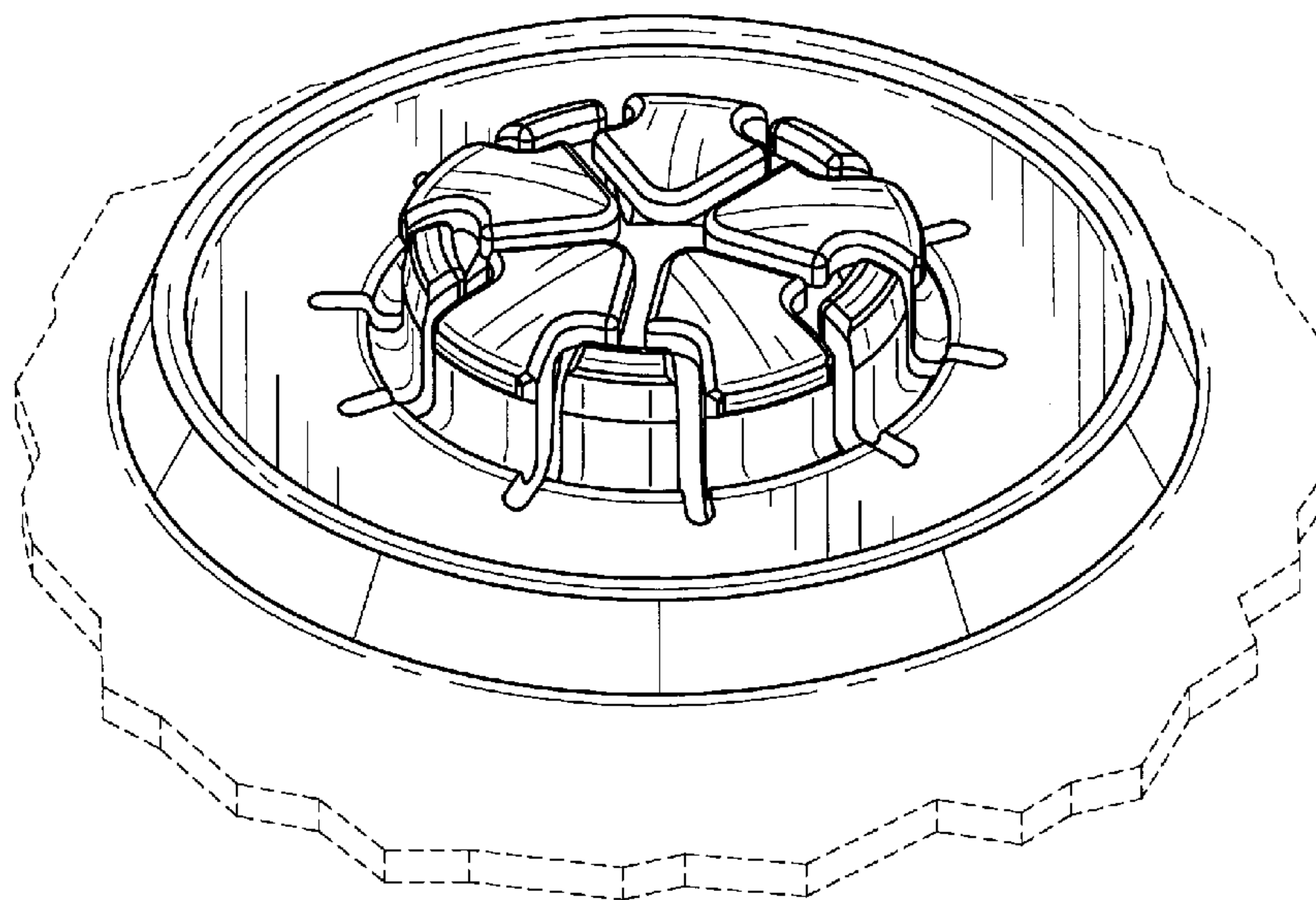
The broken lines are shown for illustrative purposes only and form no part of the claimed design.

(56) **References Cited**

U.S. PATENT DOCUMENTS

5,586,651	A	12/1996	Krummenacher	
5,727,680	A	3/1998	Liu	
6,065,594	A	5/2000	Sankey et al.	
6,196,384	B1	3/2001	Belden, Jr.	
6,425,481	B1	7/2002	Choi	
6,427,833	B1	8/2002	Hui	
6,540,071	B2 *	4/2003	Liu	206/308.1
6,554,132	B2	4/2003	Lau	
6,799,679	B2 *	10/2004	Hui	206/308.1
6,983,842	B2 *	1/2006	Krummenacher	206/308.1
2003/0196918	A1	10/2003	Lau	
2004/0129587	A1	7/2004	Lax et al.	

1 Claim, 9 Drawing Sheets



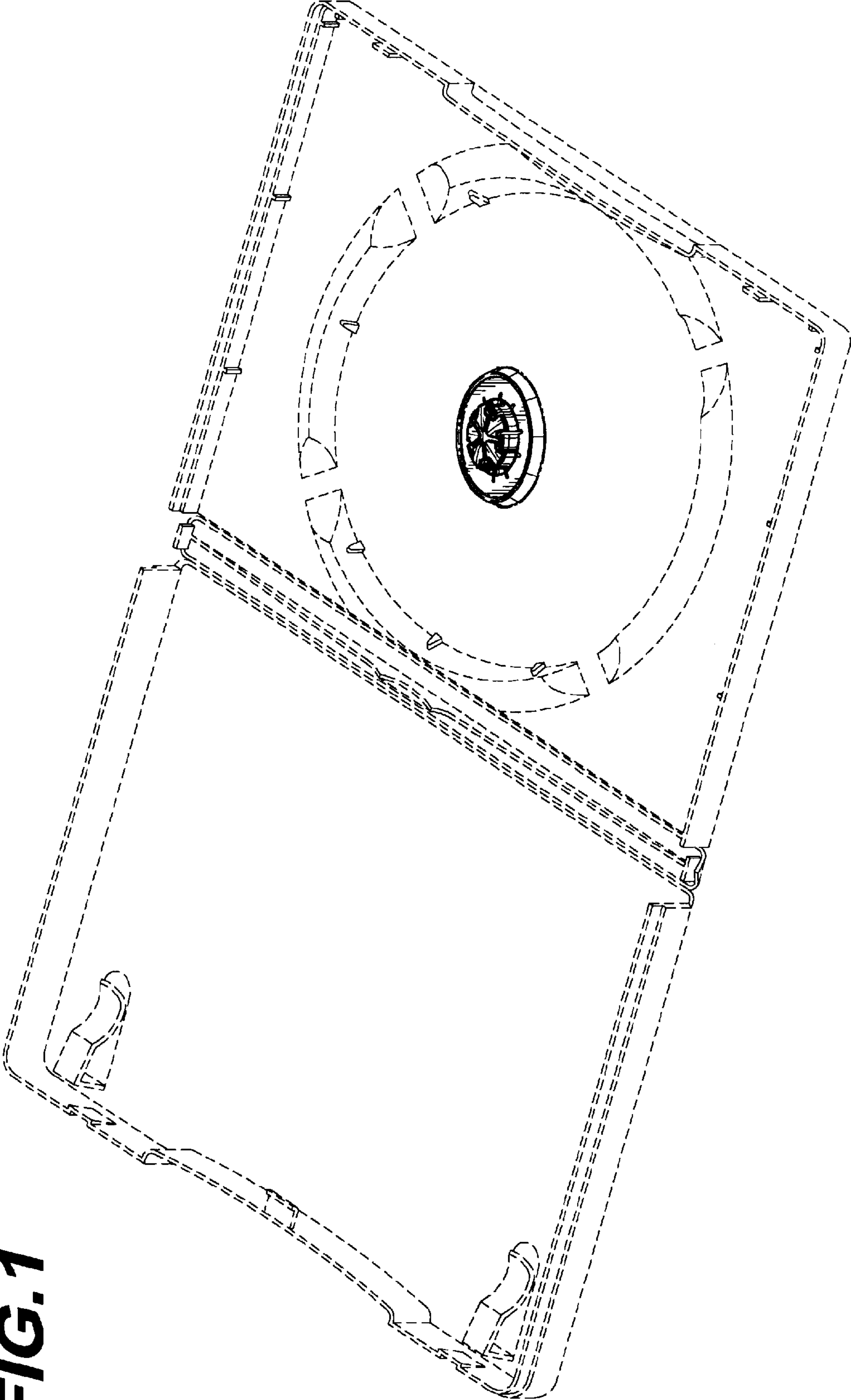


FIG.1

FIG.2

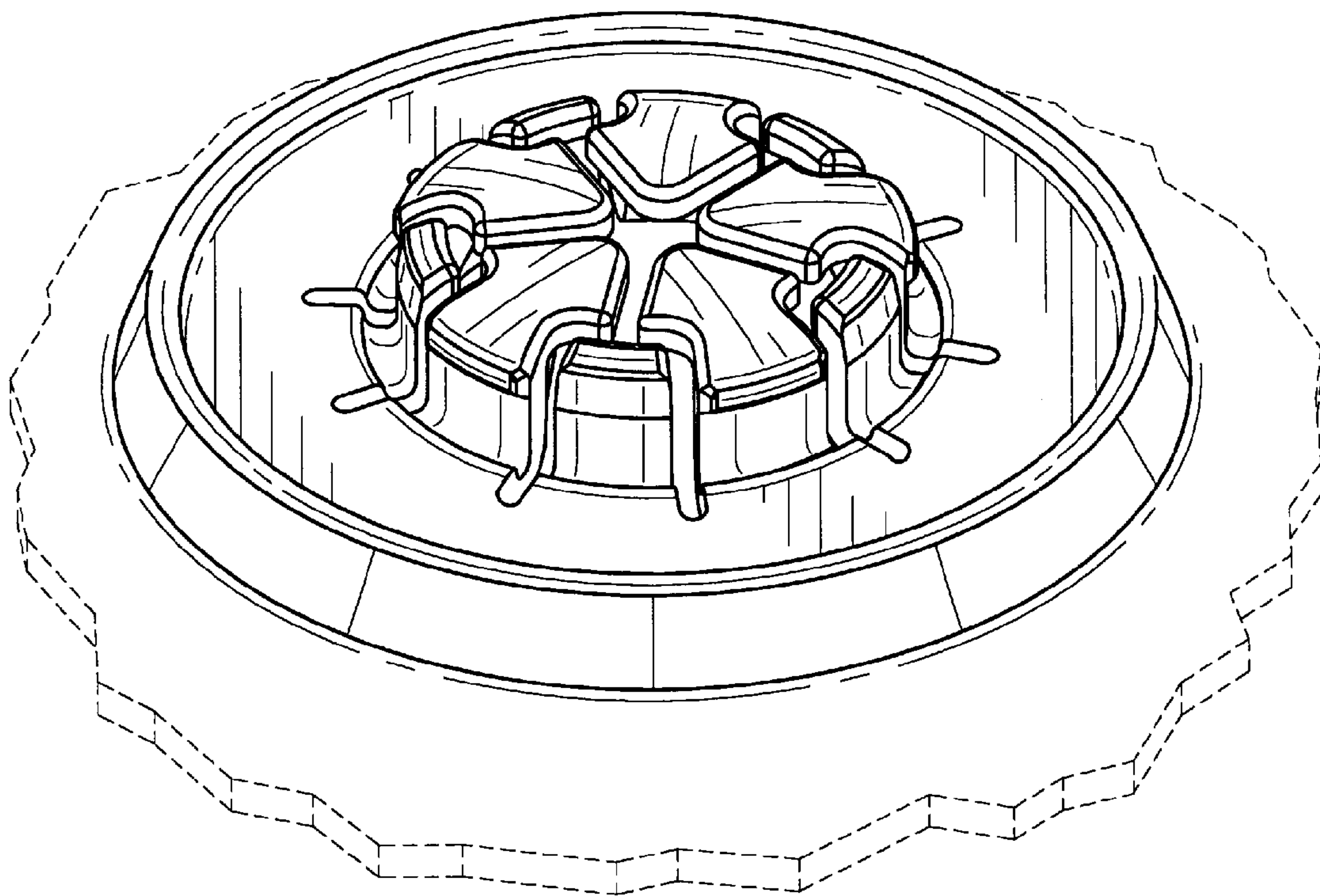


FIG. 3

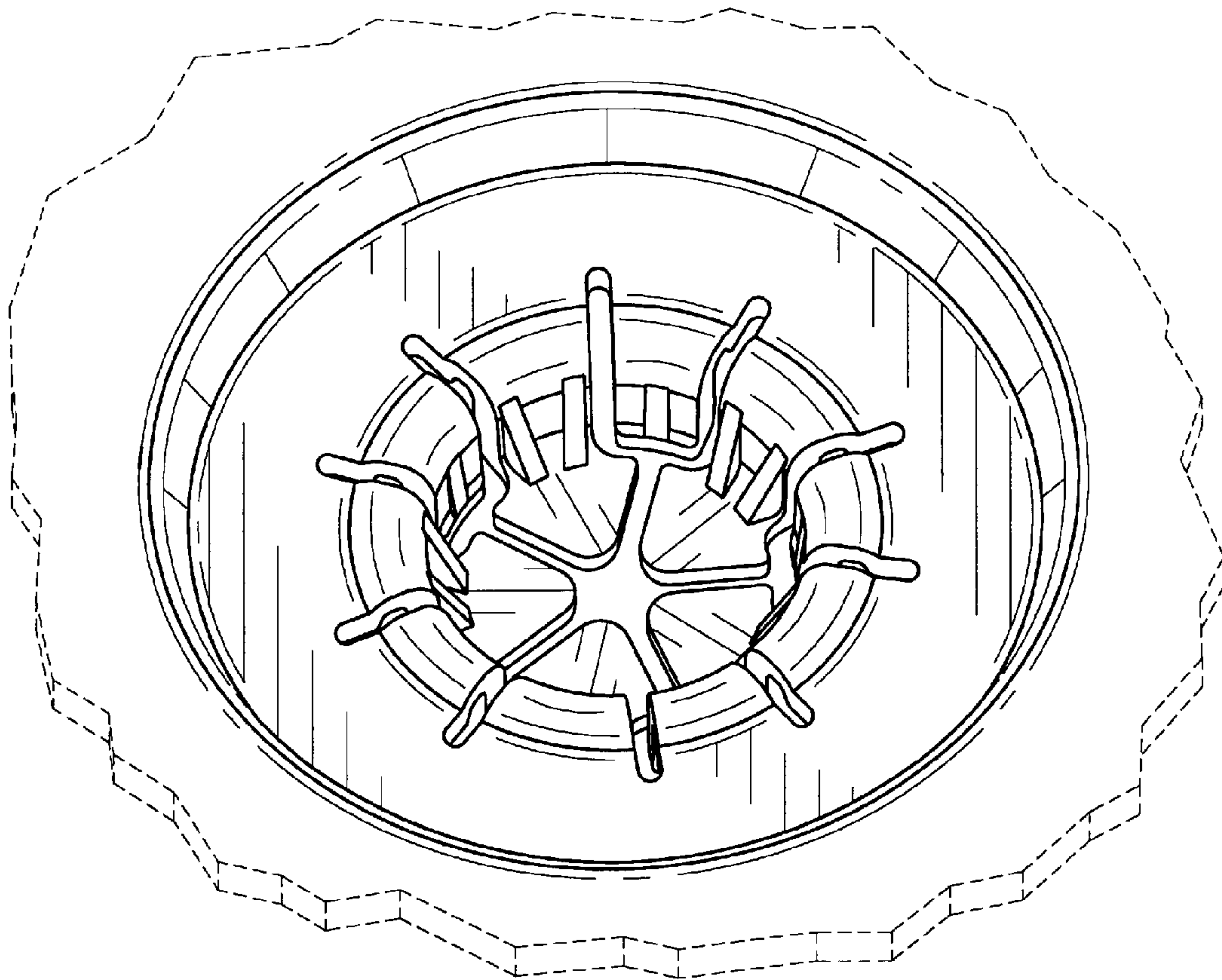


FIG.4

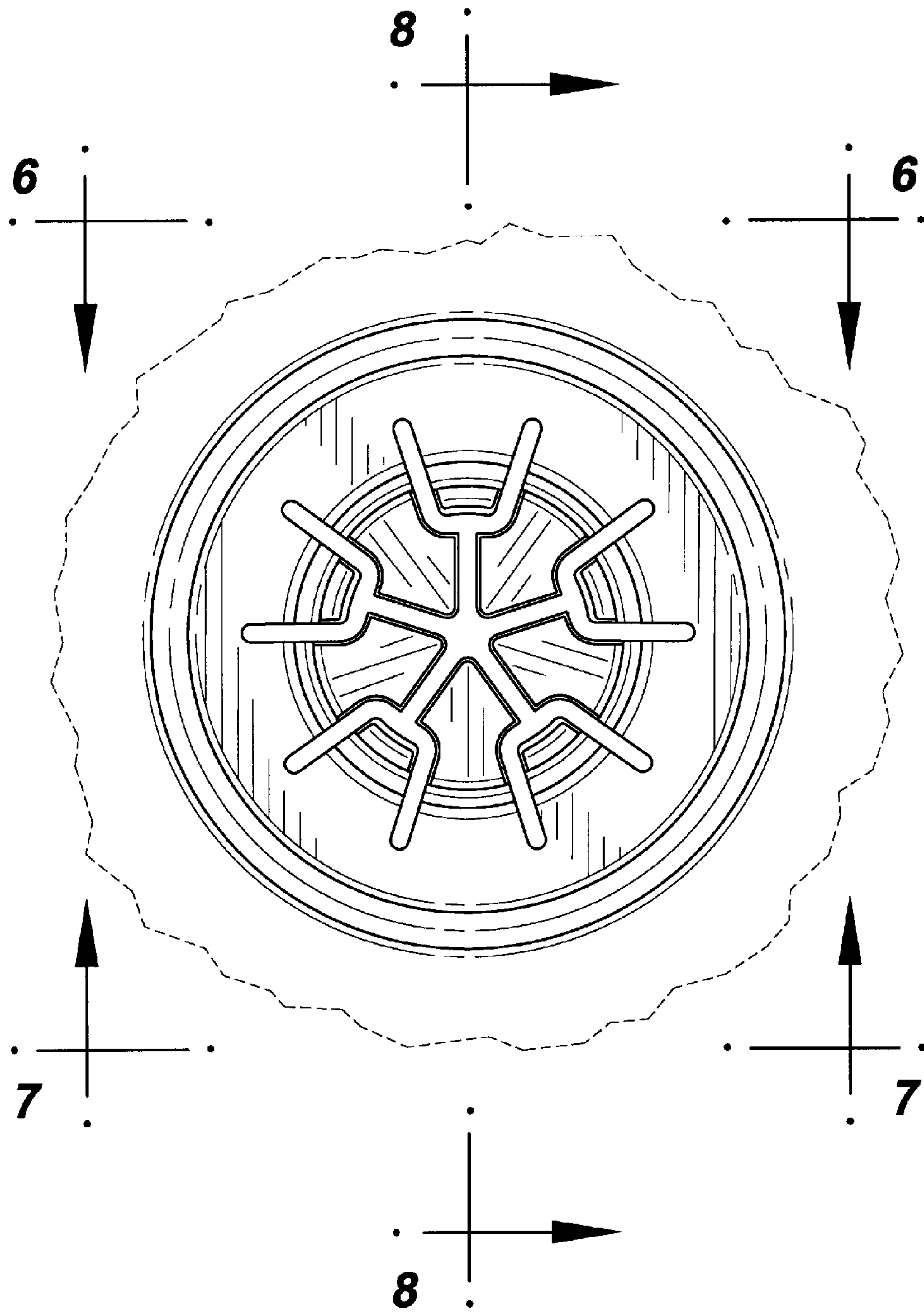


FIG. 5

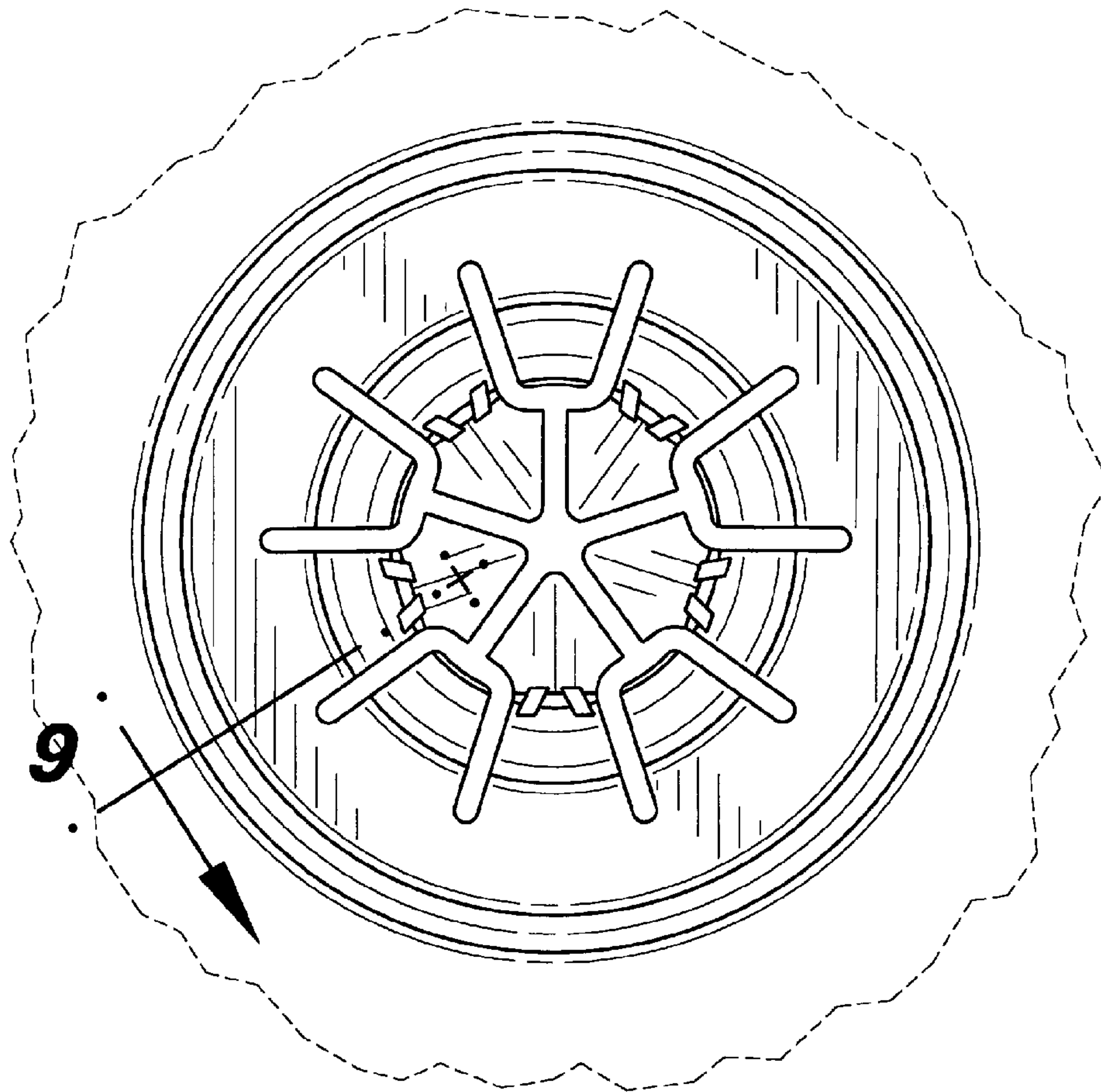


FIG. 6

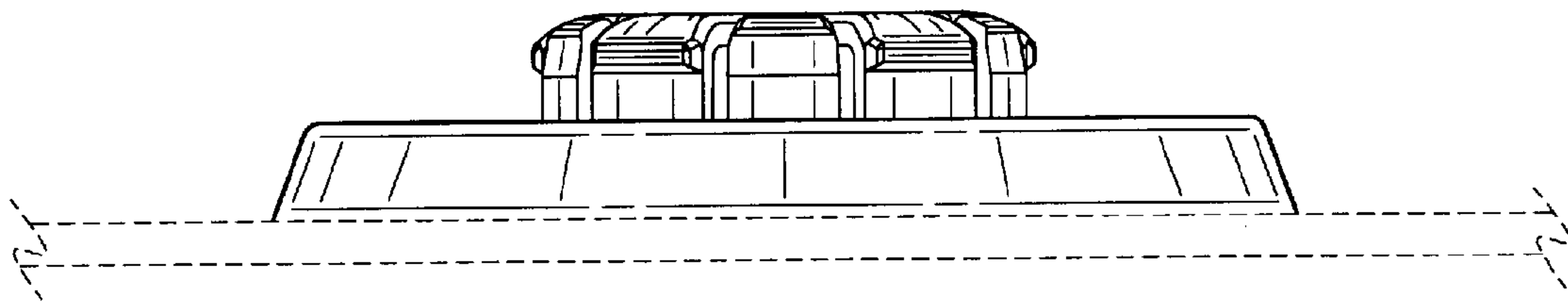


FIG. 7

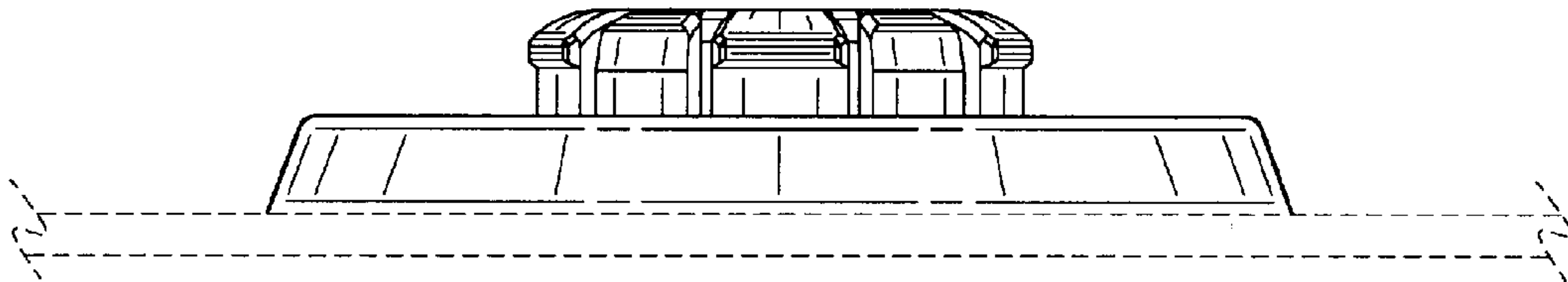


FIG. 8

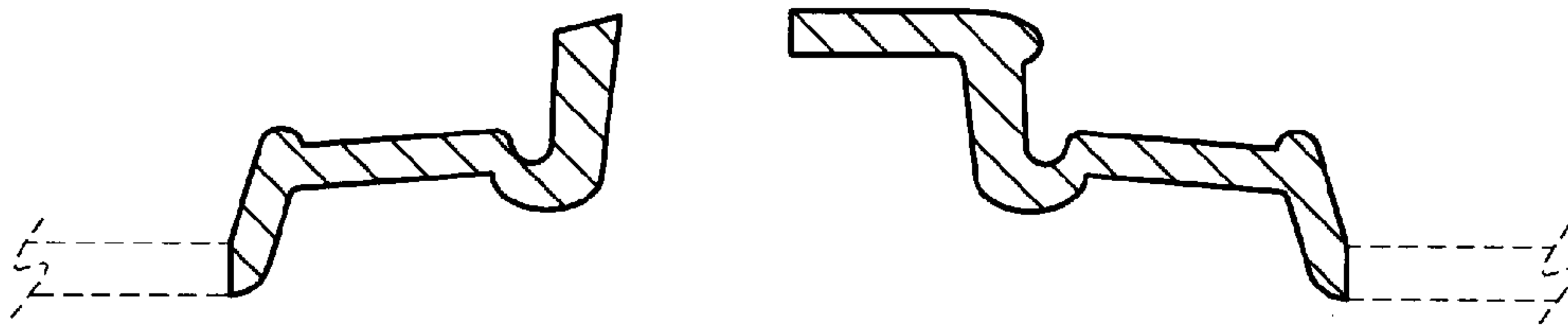


FIG. 9

