



US00D557926S

(12) **United States Design Patent**  
**Boerner et al.**

(10) **Patent No.:** **US D557,926 S**

(45) **Date of Patent:** **\*\* Dec. 25, 2007**

(54) **BED**

(76) Inventors: **Edward Boerner**, 666 Vermont St., San Francisco, CA (US) 94107; **Katherine Lam**, 816 Alice St., Oakland, CA (US) 94607; **Todd Laby**, 4475 23rd St. #5, San Francisco, CA (US) 94114

(\*\*) Term: **14 Years**

(21) Appl. No.: **29/262,521**

(22) Filed: **Jul. 5, 2006**

(51) **LOC (8) Cl.** ..... **06-01**

(52) **U.S. Cl.** ..... **D6/393**

(58) **Field of Classification Search** ..... D6/382-383,  
D6/389-395, 505-508, 503; 5/53.1, 279,  
5/280, 281, 907

See application file for complete search history.

(56) **References Cited**

U.S. PATENT DOCUMENTS

D165,074 S \* 11/1951 Herrmann ..... D6/394

D454,720 S \* 3/2002 O'Hare et al. .... D6/393  
D475,863 S \* 6/2003 Berry et al. .... D6/393  
D509,677 S \* 9/2005 Junbeau et al. .... D6/393  
D516,338 S \* 3/2006 Mohundro ..... D6/393  
D521,768 S \* 5/2006 Black ..... D6/393

\* cited by examiner

*Primary Examiner*—Janice E. Seeger

(74) *Attorney, Agent, or Firm*—Schwartz Law Firm P.C.

(57) **CLAIM**

We claim the ornamental design for a bed, as shown and described.

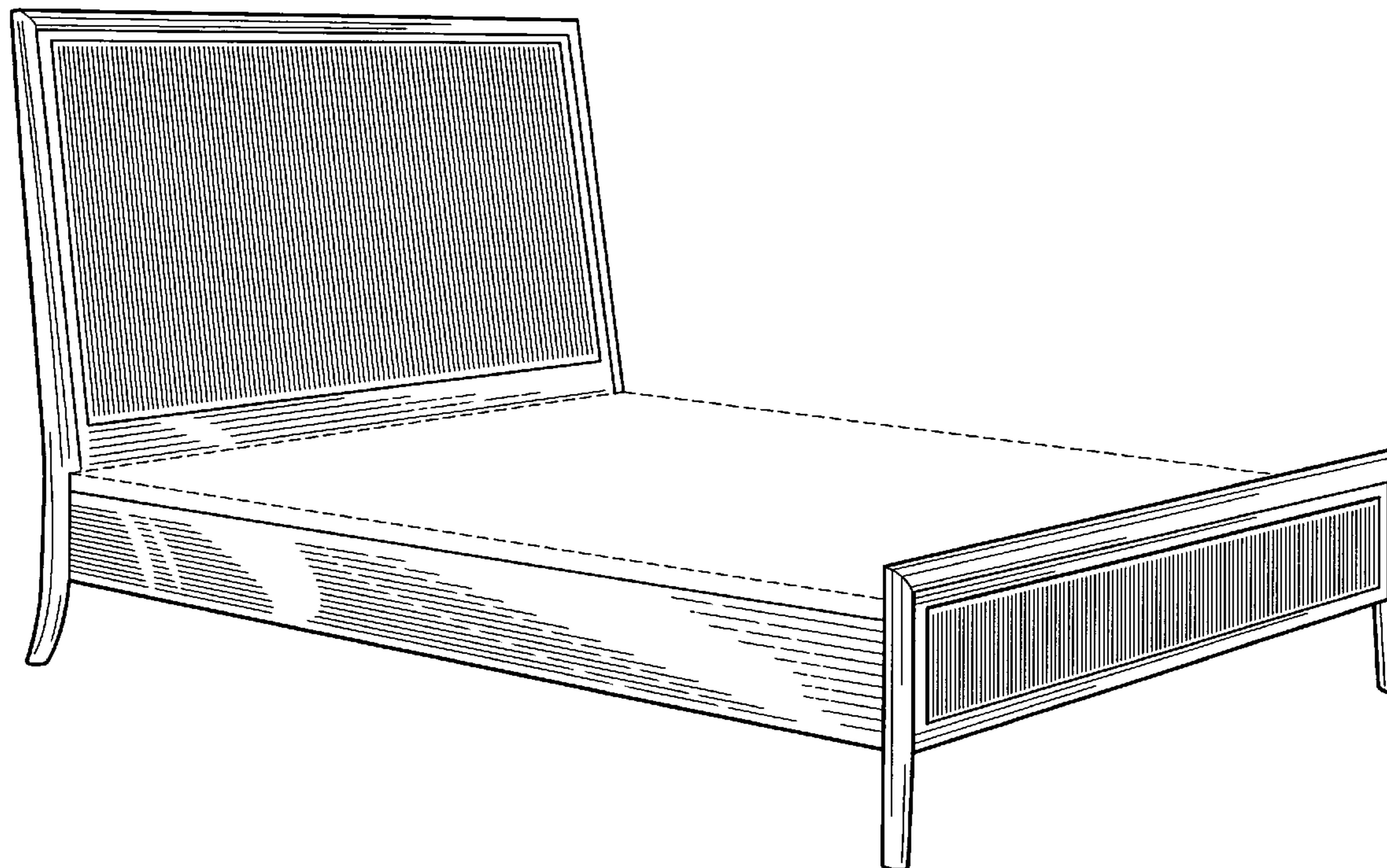
**DESCRIPTION**

FIG. 1 is a perspective view of the bed with a mattress shown in phantom, the mattress forming no part of the claimed design;

FIG. 2 is a front view thereof; and,

FIG. 3 is a side view, the opposite side being a mirror image thereof.

**1 Claim, 3 Drawing Sheets**



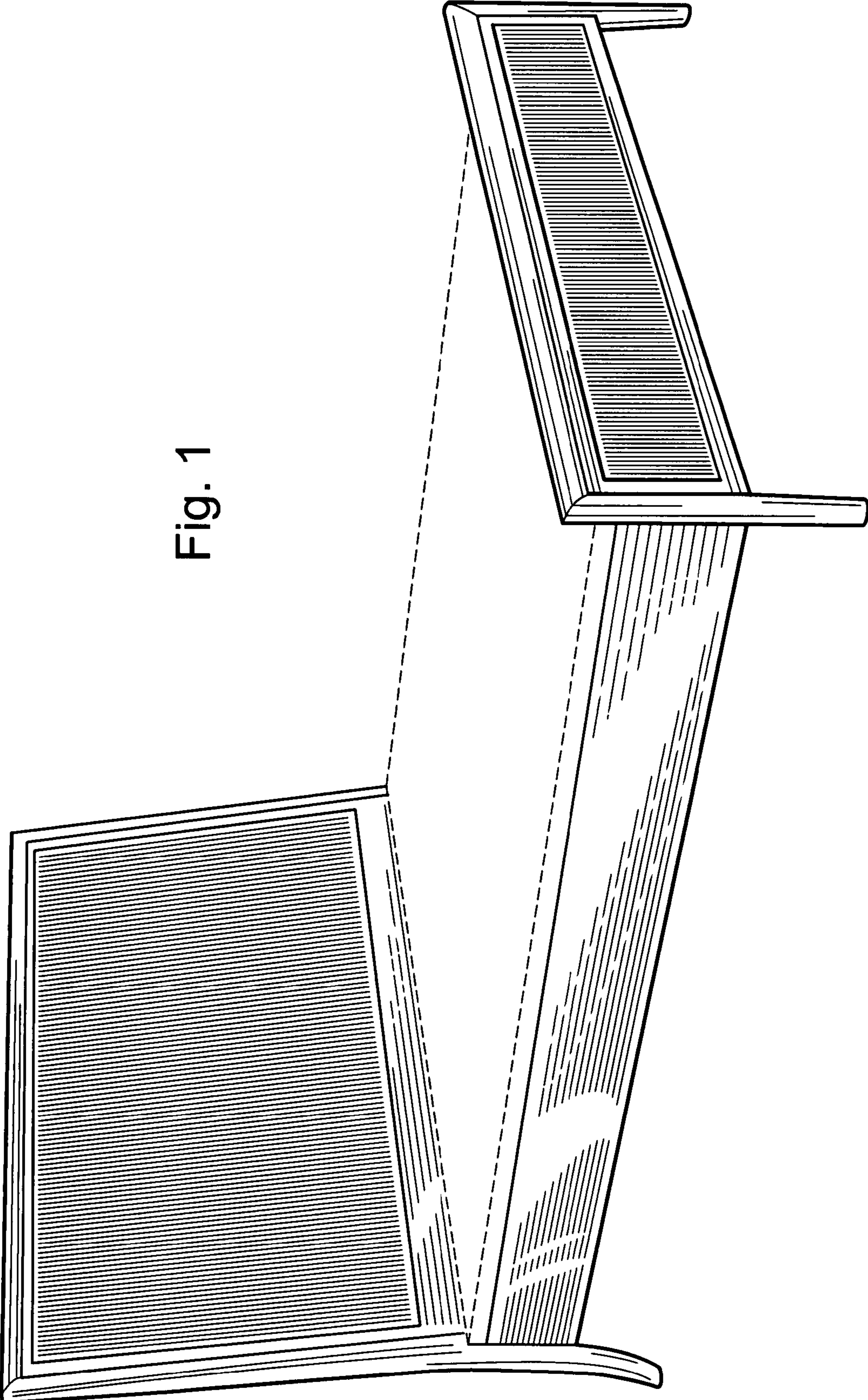


Fig. 1

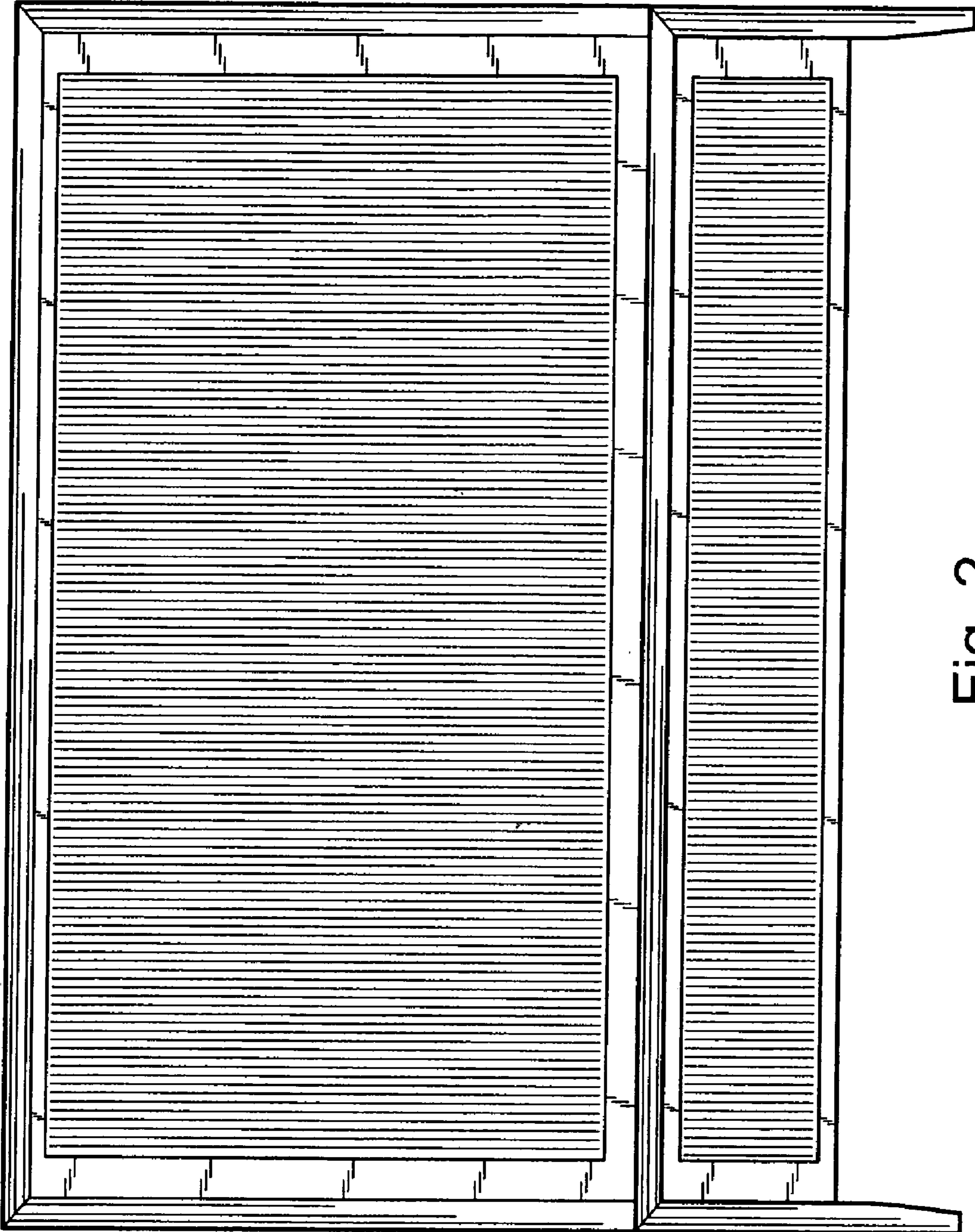


Fig. 2

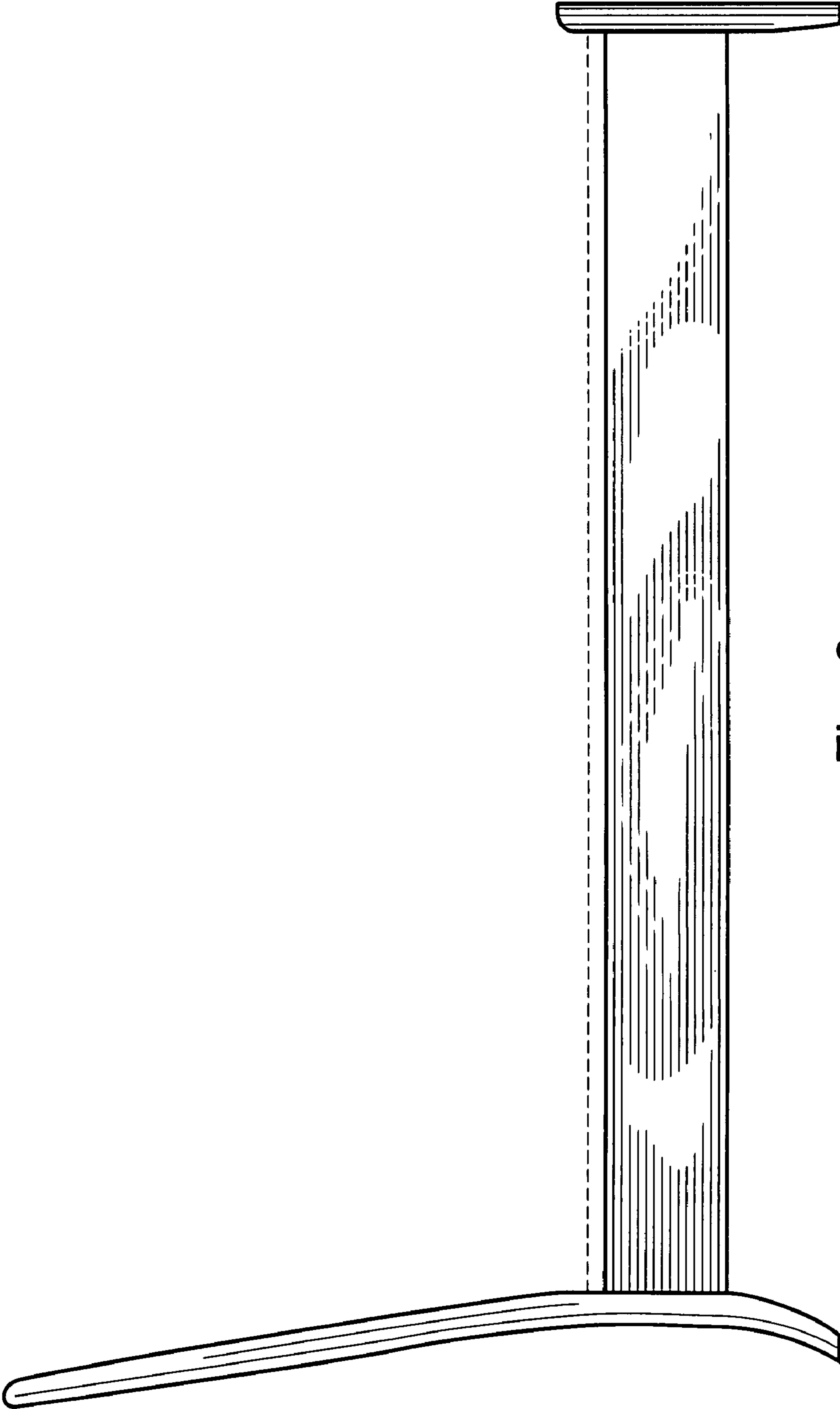


Fig. 3