



US00D557925S

(12) **United States Design Patent**
Ando

(10) **Patent No.:** **US D557,925 S**

(45) **Date of Patent:** **** Dec. 25, 2007**

(54) **CURVED, SLATTED HAMMOCK**

(76) Inventor: **Guy C. Ando**, 715 Osprey Ct., Mt. Pleasant, SC (US) 29464

(**) Term: **14 Years**

(21) Appl. No.: **29/264,245**

(22) Filed: **Aug. 7, 2006**

(51) **LOC (8) Cl.** **06-01**

(52) **U.S. Cl.** **D6/387**

(58) **Field of Classification Search** D6/382,
D6/386, 387, 347, 355, 595, 596; 5/120-123,
5/127, 130, 417, 420

See application file for complete search history.

(56) **References Cited**

U.S. PATENT DOCUMENTS

254,677	A *	3/1882	Moore	5/120
374,479	A *	12/1887	Hartman	112/77
777,919	A *	12/1904	Randall	5/120
2005/0060802	A1 *	3/2005	Zhong	5/120

* cited by examiner

Primary Examiner—Janice E. Seeger

(74) *Attorney, Agent, or Firm*—Harleston Law Firm LLC

(57) **CLAIM**

The ornamental design for a curved, slatted hammock, as shown and described.

DESCRIPTION

FIG. 1 is a perspective view of a curved, slatted hammock, showing my new design;

FIG. 2 is a side elevational view thereof, the side opposite being identical;

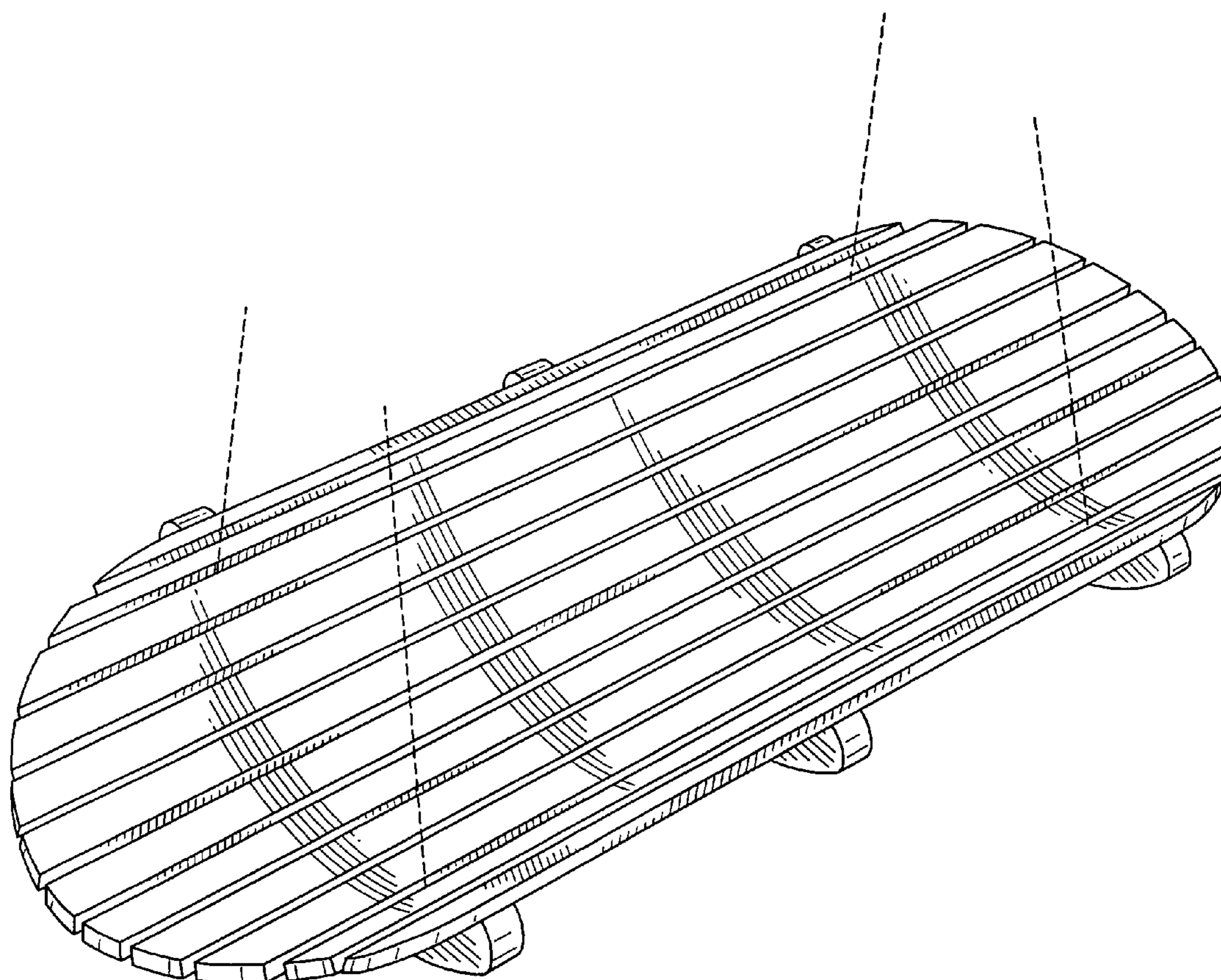
FIG. 3 is a top plan view thereof;

FIG. 4 is a bottom plan view thereof; and,

FIG. 5 is an end elevation view thereof, the end opposite being identical.

The broken line showing of hammock suspension cables is for illustrative purposes only and forms no part of the claimed design.

1 Claim, 5 Drawing Sheets



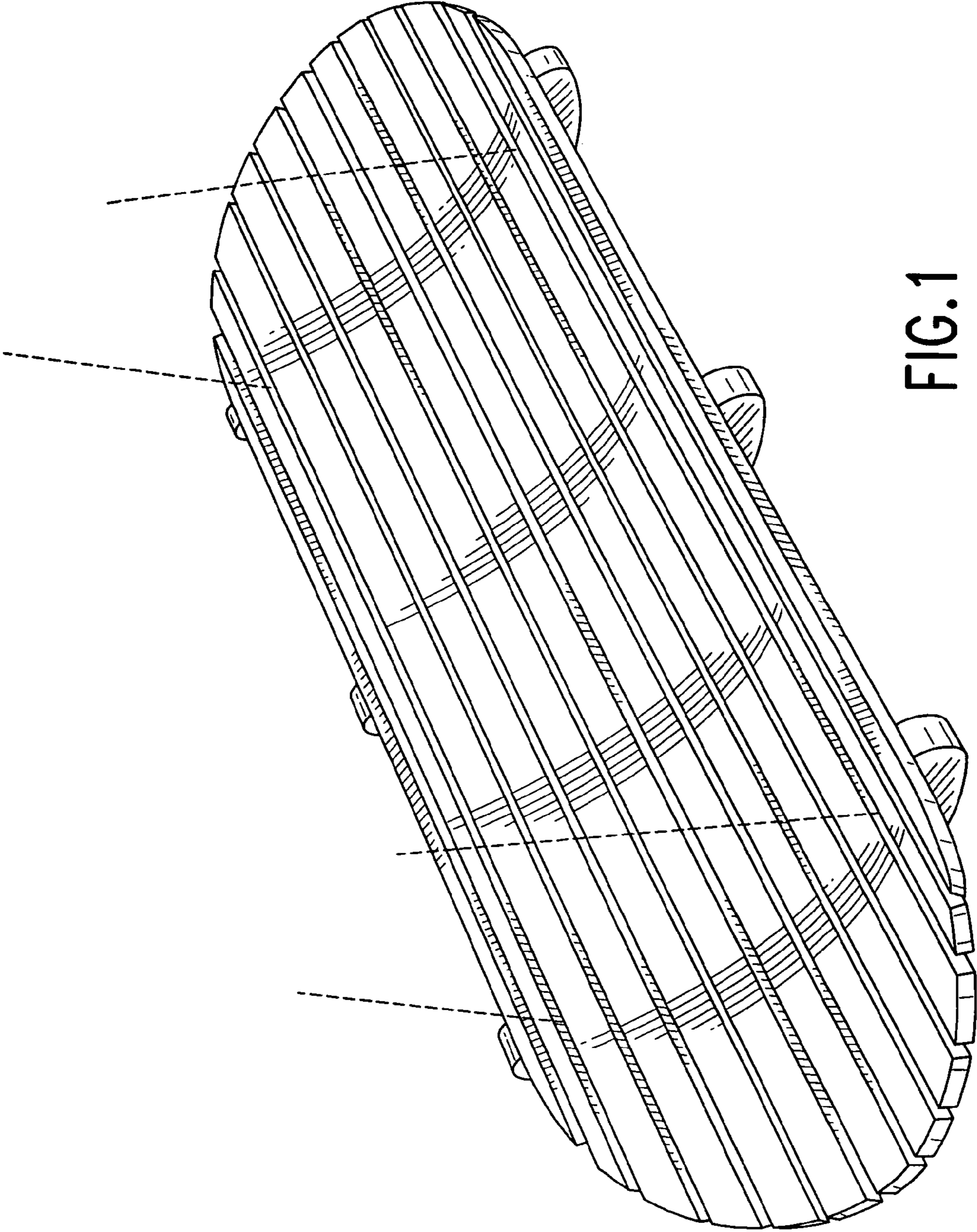


FIG. 1

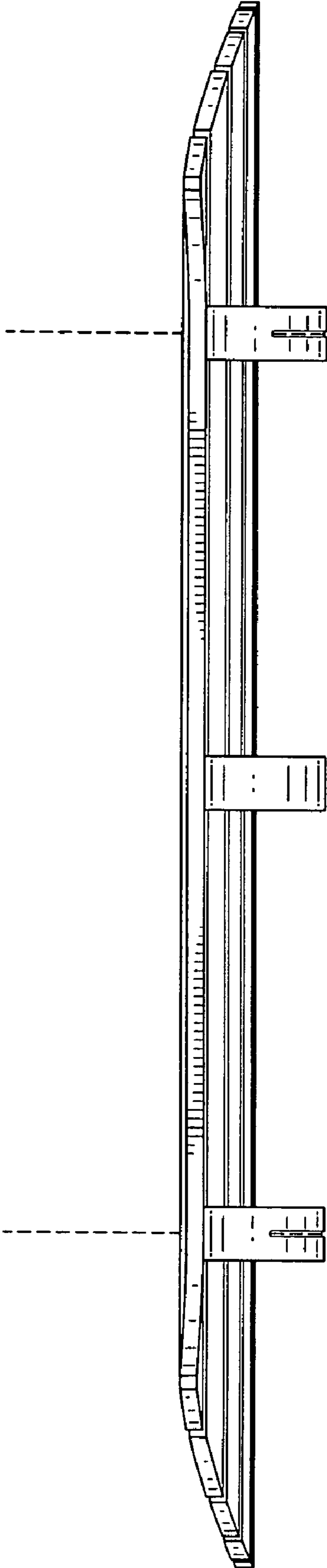


FIG.2

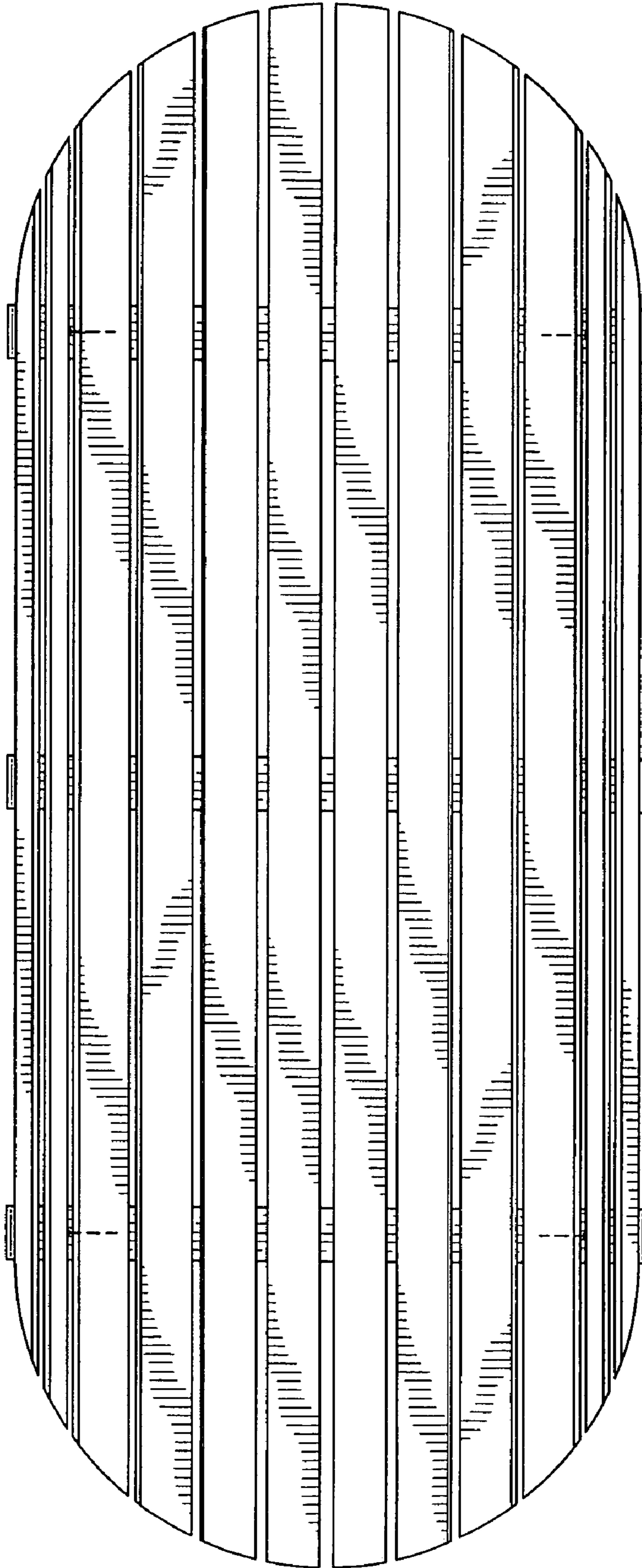


FIG. 3

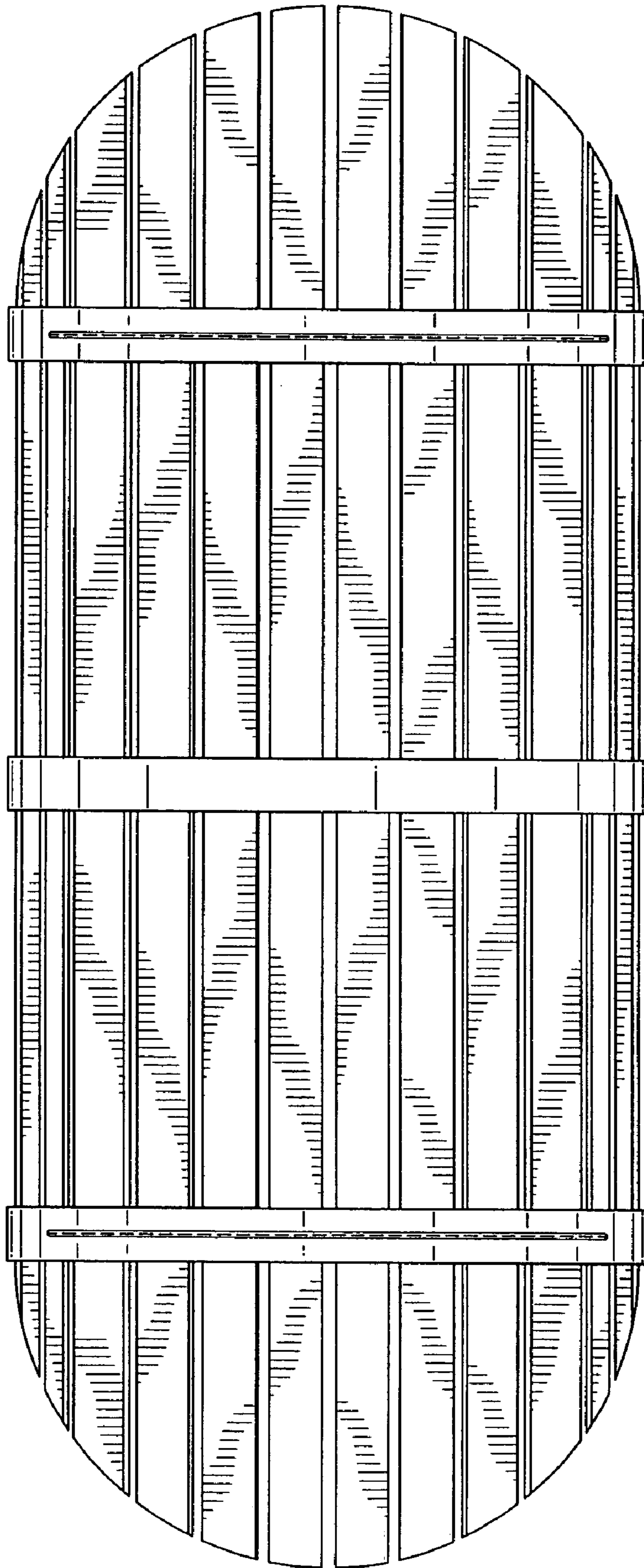


FIG. 4

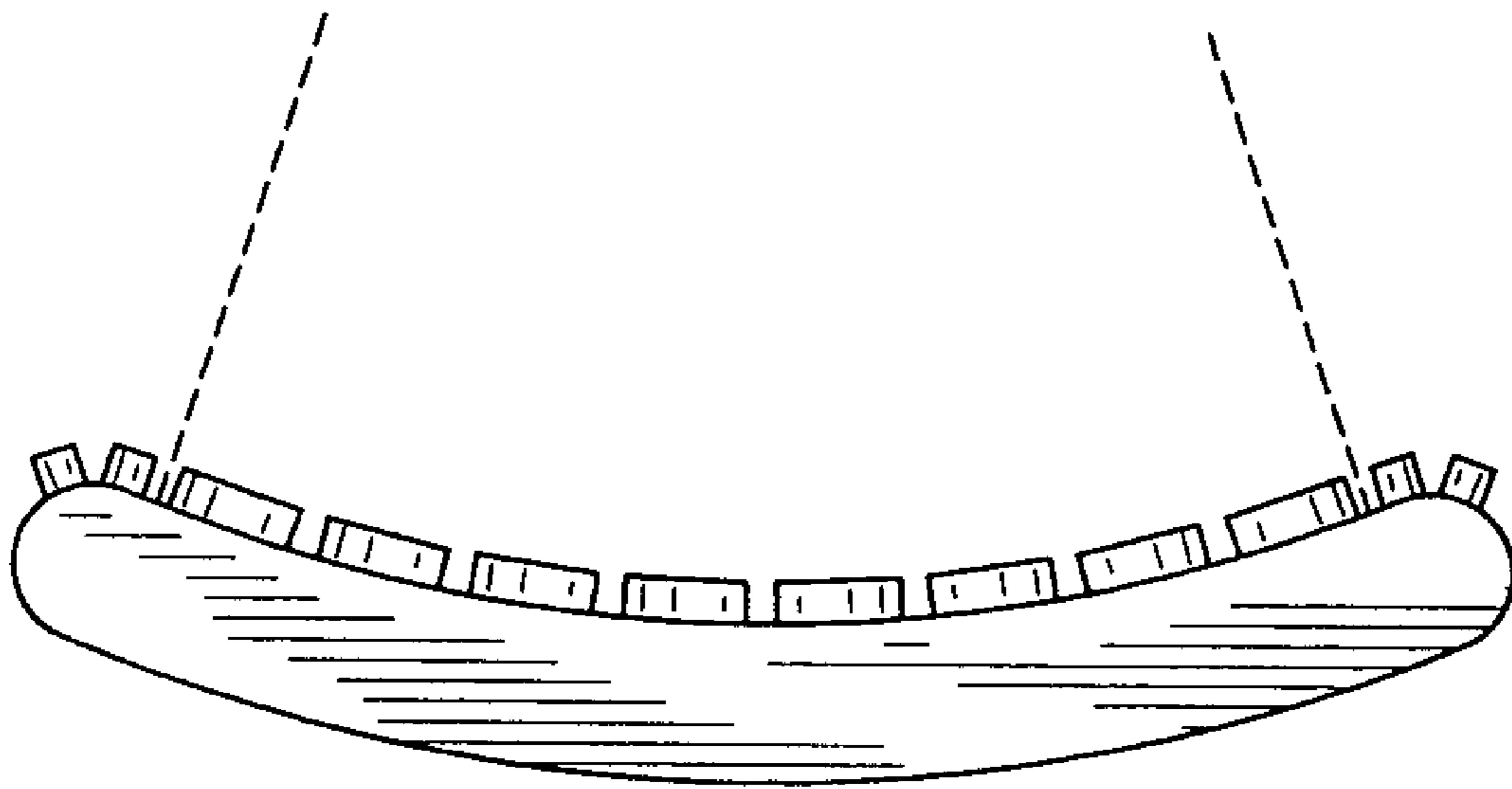


FIG. 5