



US00D557923S

(12) **United States Design Patent**  
**Lade et al.**

(10) **Patent No.:** **US D557,923 S**  
(45) **Date of Patent:** **\*\* Dec. 25, 2007**

- (54) **SOFA**
- (75) Inventors: **Jan Lade**, Ikornnes (NO); **Marianne Saelid**, Ikornnes (NO)
- (73) Assignee: **Ekornes ASA**, Ikornnes (NO)
- (\*\*) Term: **14 Years**
- (21) Appl. No.: **29/258,830**
- (22) Filed: **Apr. 27, 2006**
- (30) **Foreign Application Priority Data**  
Oct. 28, 2005 (NO) ..... 20050621
- (51) **LOC (8) Cl.** ..... **06-01**
- (52) **U.S. Cl.** ..... **D6/381**
- (58) **Field of Classification Search** ..... D6/334-336,  
D6/361, 371, 381, 500-502, 492; 297/445.1,  
297/446.1, 232, 248; 5/12.1  
See application file for complete search history.

(56) **References Cited**

U.S. PATENT DOCUMENTS

D257,300 S	*	10/1980	Fisher	.....	D6/377
D284,046 S	*	6/1986	Staats et al.	.....	D6/335
D284,240 S	*	6/1986	Culler	.....	D6/381
D287,439 S	*	12/1986	Culler	.....	D6/381
D288,990 S	*	3/1987	Culler	.....	D6/335
D298,389 S	*	11/1988	Culler	.....	D6/335
D312,926 S	*	12/1990	Gera	.....	D6/335
5,064,244 A	*	11/1991	Sproule	.....	297/68
D327,373 S	*	6/1992	Warren	.....	D6/335
D334,300 S	*	3/1993	Gibson	.....	D6/381
D342,168 S	*	12/1993	Gibson	.....	D6/381
5,314,234 A	*	5/1994	England	.....	297/248
5,360,255 A	*	11/1994	Cook et al.	.....	297/232
D359,394 S	*	6/1995	Durling	.....	D6/336
D470,674 S	*	2/2003	Friedman	.....	D6/381
D499,267 S	*	12/2004	Ricci	.....	D6/381
D499,268 S	*	12/2004	Ricci	.....	D6/381
D509,373 S	*	9/2005	Nastri	.....	D6/381
D511,422 S	*	11/2005	Nastri	.....	D6/381
D522,268 S	*	6/2006	Denton	.....	D6/381

D524,569 S	*	7/2006	Kevonian	.....	D6/381
D537,264 S	*	2/2007	Warren	.....	D6/381
D537,649 S	*	3/2007	Lade	.....	D6/381
D538,057 S	*	3/2007	Warren	.....	D6/381
2003/0189364 A1	*	10/2003	Friedman	.....	297/232

\* cited by examiner

*Primary Examiner*—Sandra Snapp

(74) *Attorney, Agent, or Firm*—Schneck & Schneck;  
Thomas Schneck

(57) **CLAIM**

We claim the ornamental design for a sofa, as shown and described.

**DESCRIPTION**

This application is related to application Ser. No. 29/258,825 filed Apr. 27, 2006 for sofa.

FIG. 1 is a front perspective view of a first embodiment of our new design;

FIG. 2 is a rear perspective view thereof;

FIG. 3 is a left front elevational view thereof;

FIG. 4 is a right front elevational view thereof;

FIG. 5 is a right back elevational view, the left back elevation being a mirror image thereof;

FIG. 6 is a bottom view thereof;

FIG. 7 is a top view thereof;

FIG. 8 is a front perspective view of a second embodiment of the design of FIG. 1.

FIG. 9 is a rear perspective view thereof;

FIG. 10 is a left front elevational view thereof;

FIG. 11 is a right front elevational view thereof;

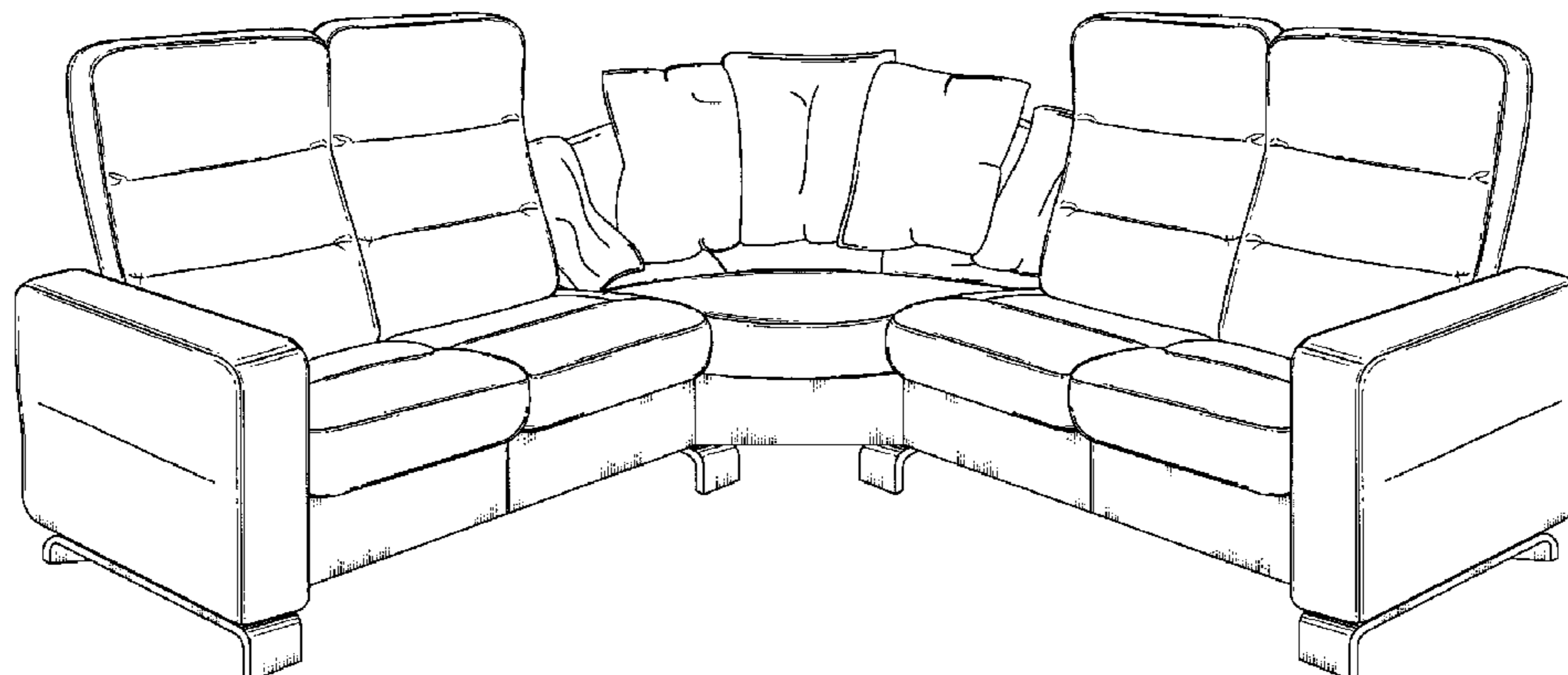
FIG. 12 is a right back elevational view thereof;

FIG. 13 is a left back elevational view thereof;

FIG. 14 is a bottom view thereof; and,

FIG. 15 is a top view thereof.

**1 Claim, 8 Drawing Sheets**



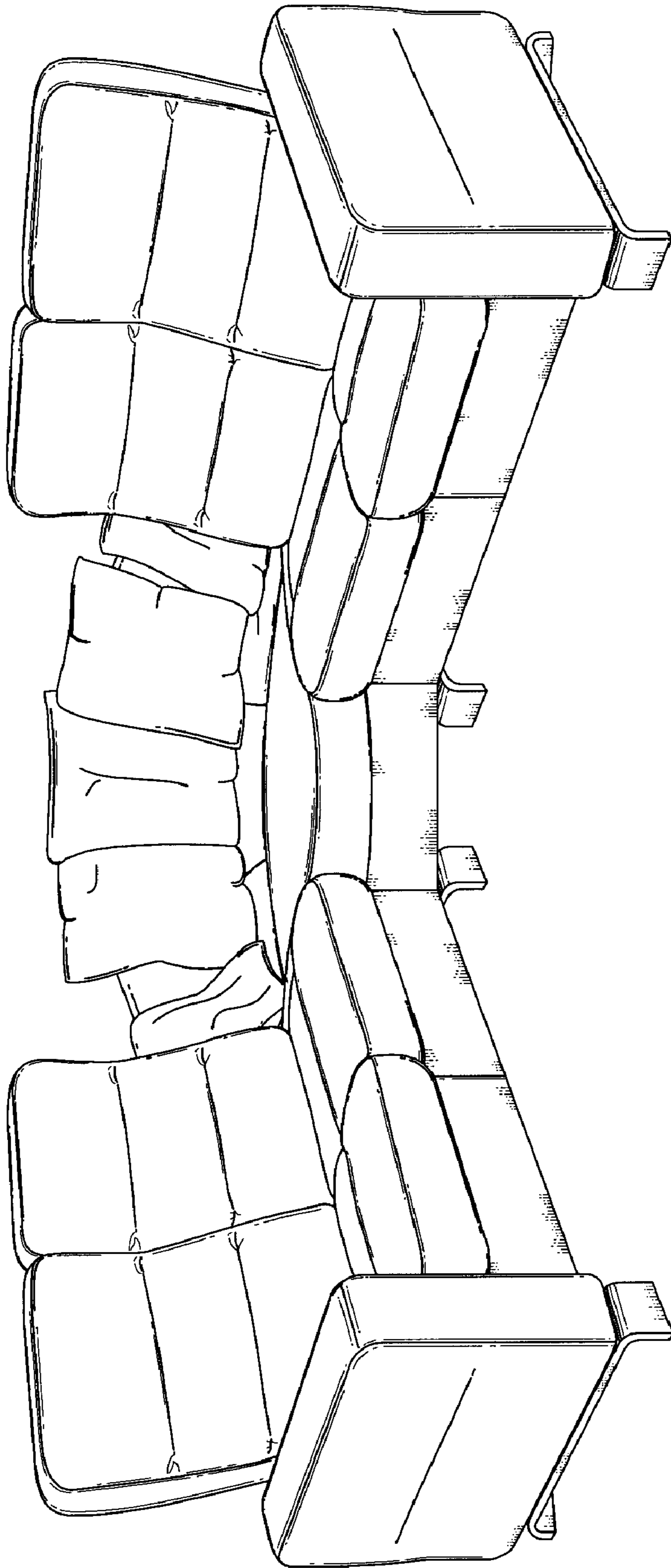


Fig. 1

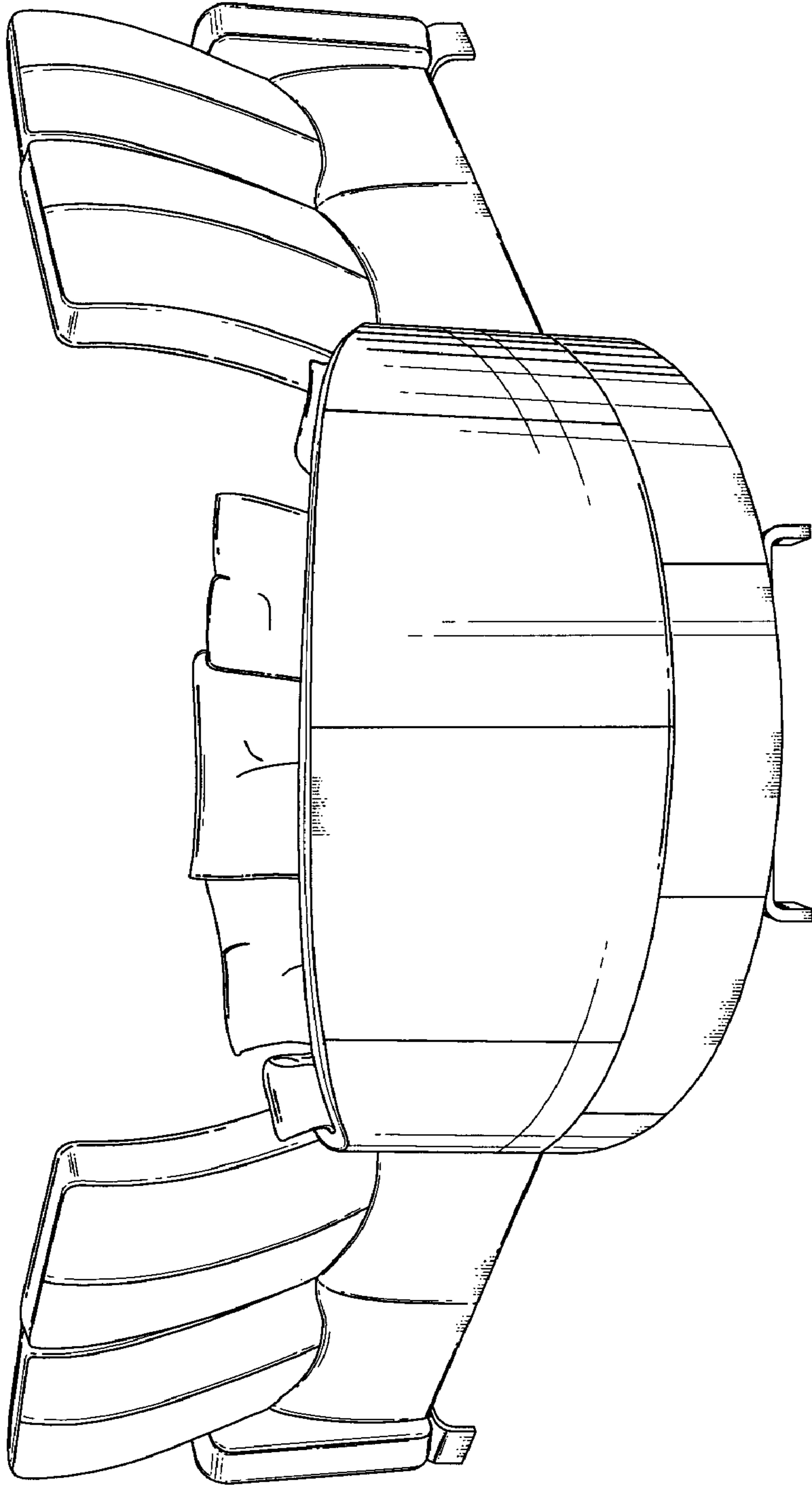
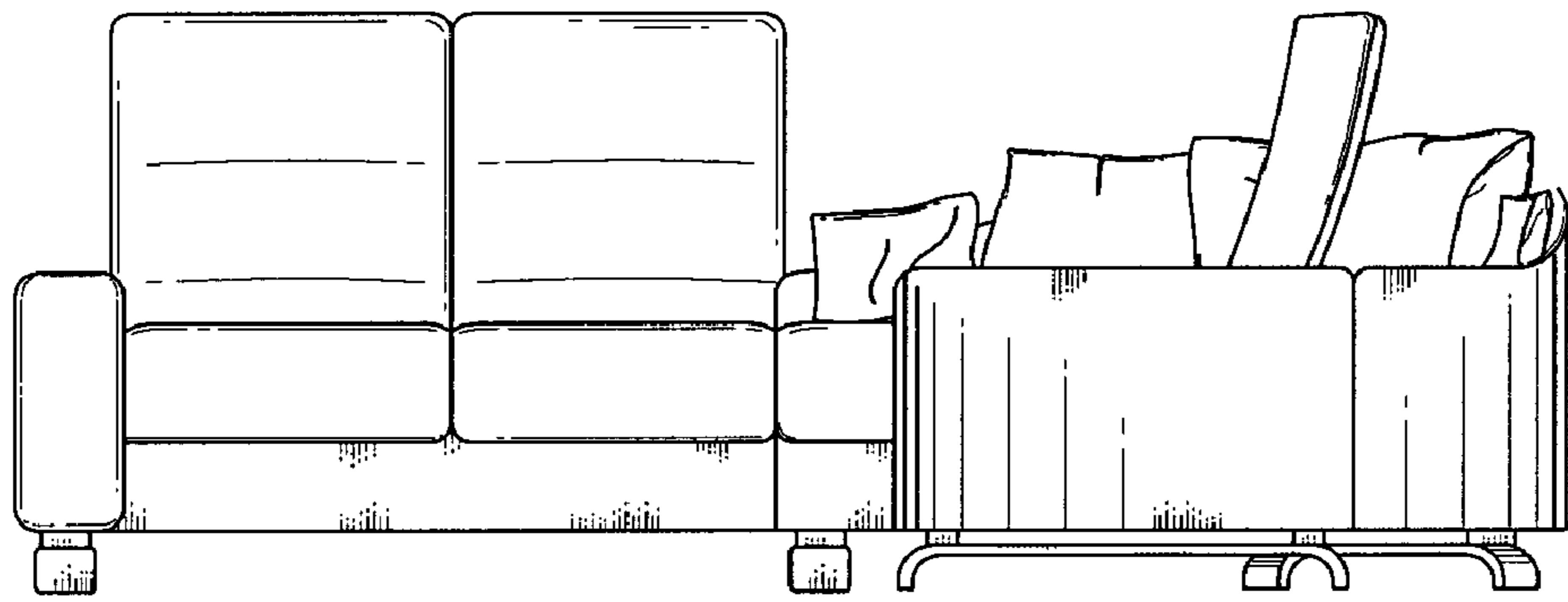
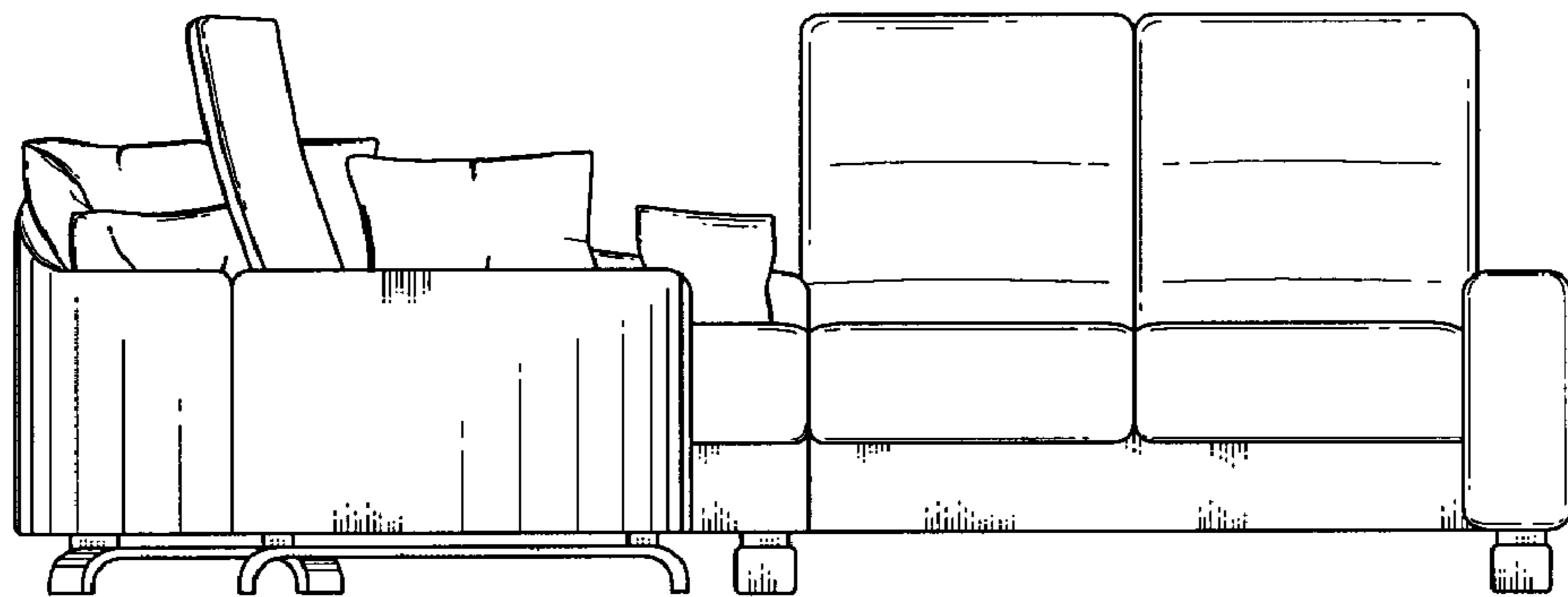


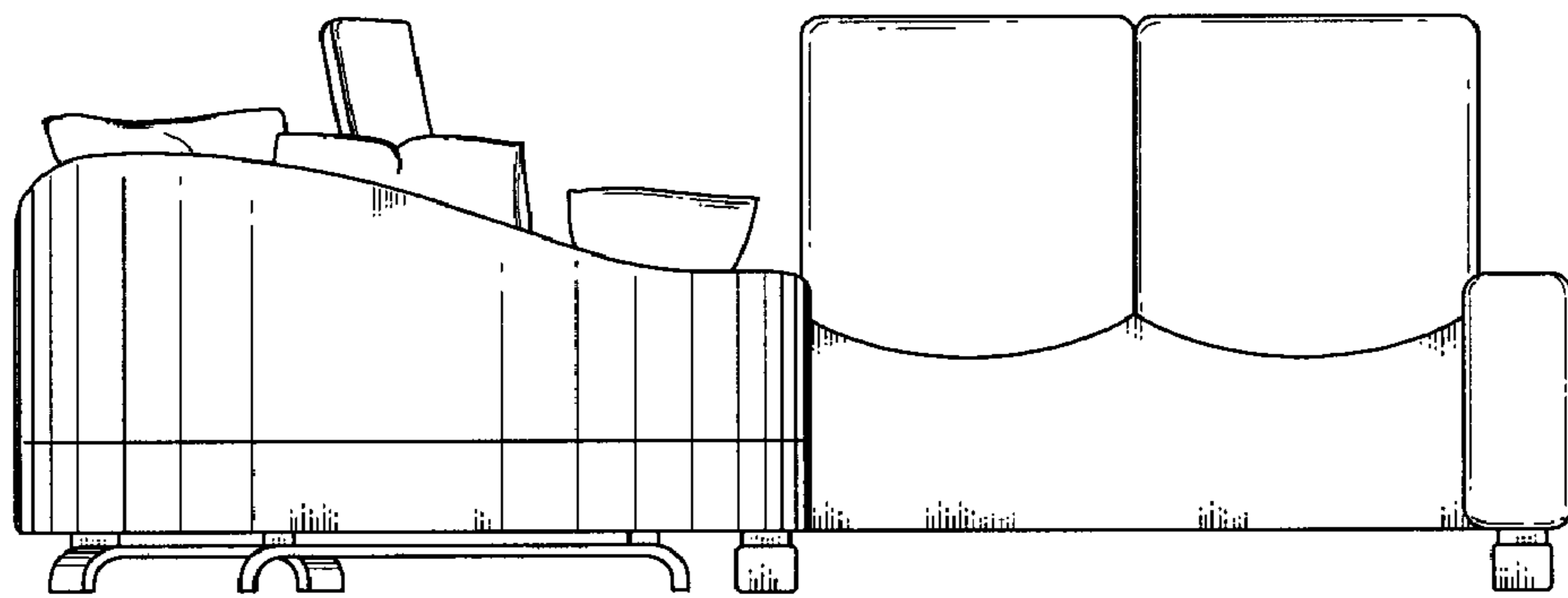
Fig. 2



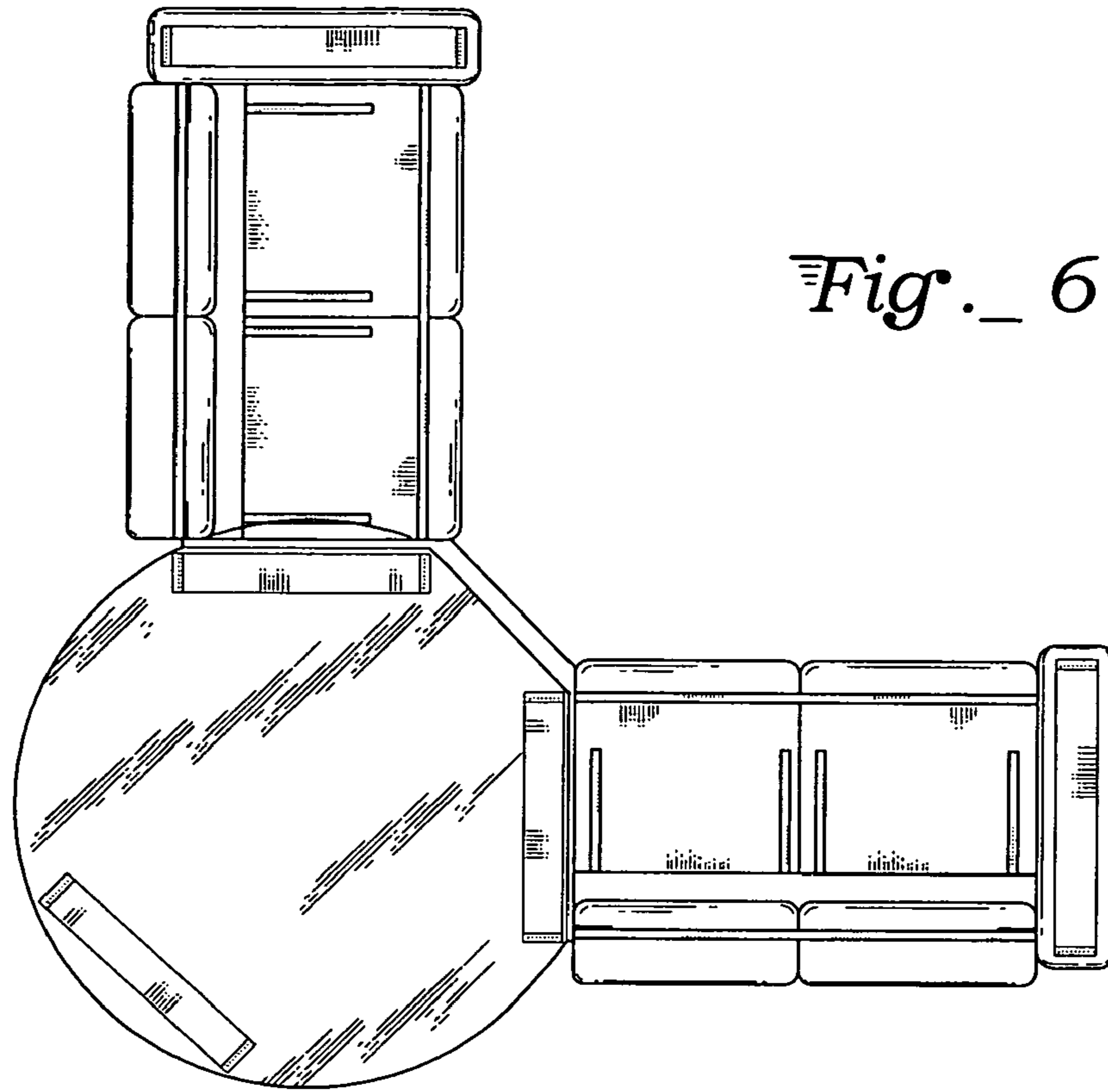
*Fig. 3*



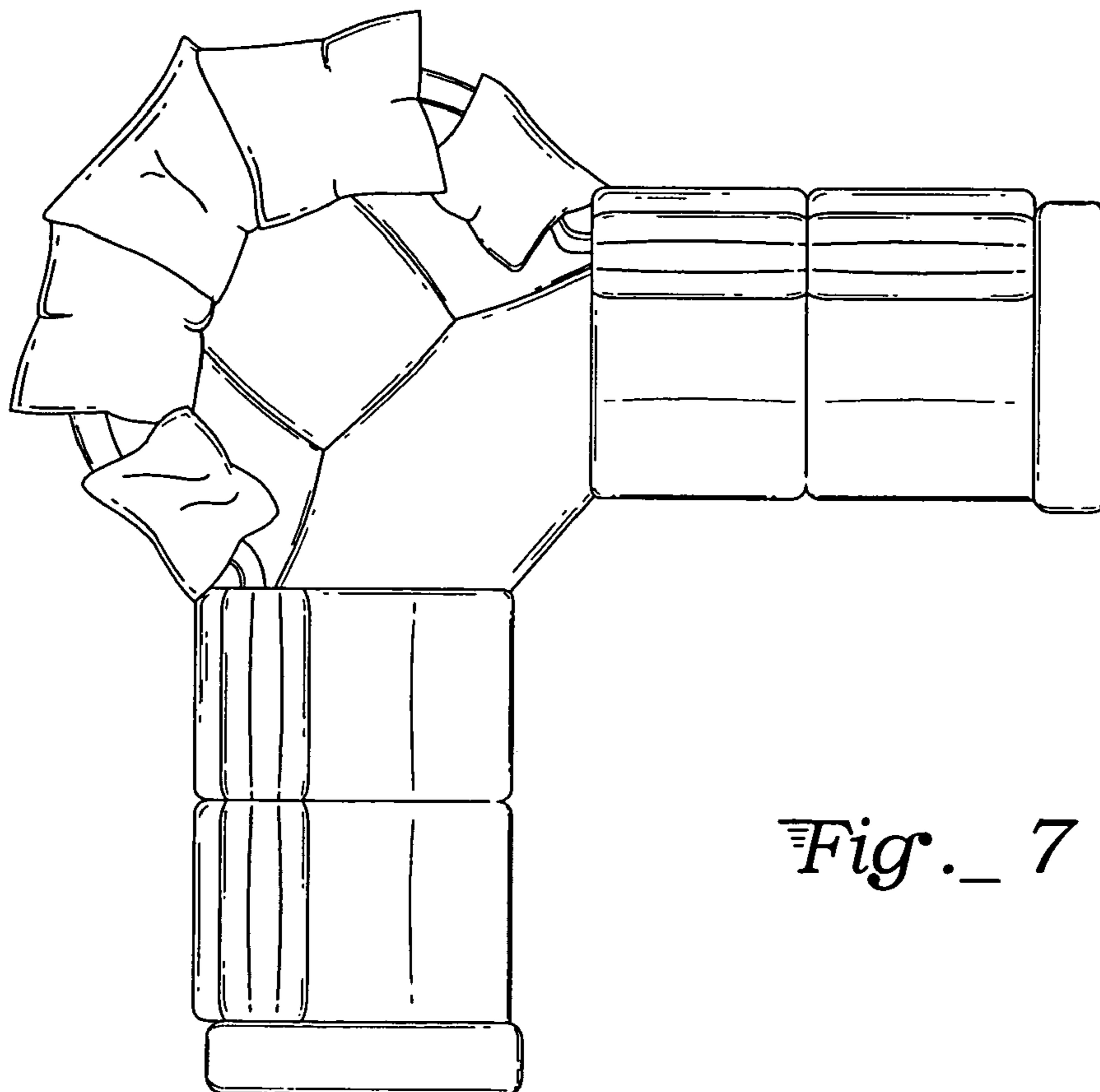
*Fig. 4*



*Fig. 5*



*Fig. 6*



*Fig. 7*

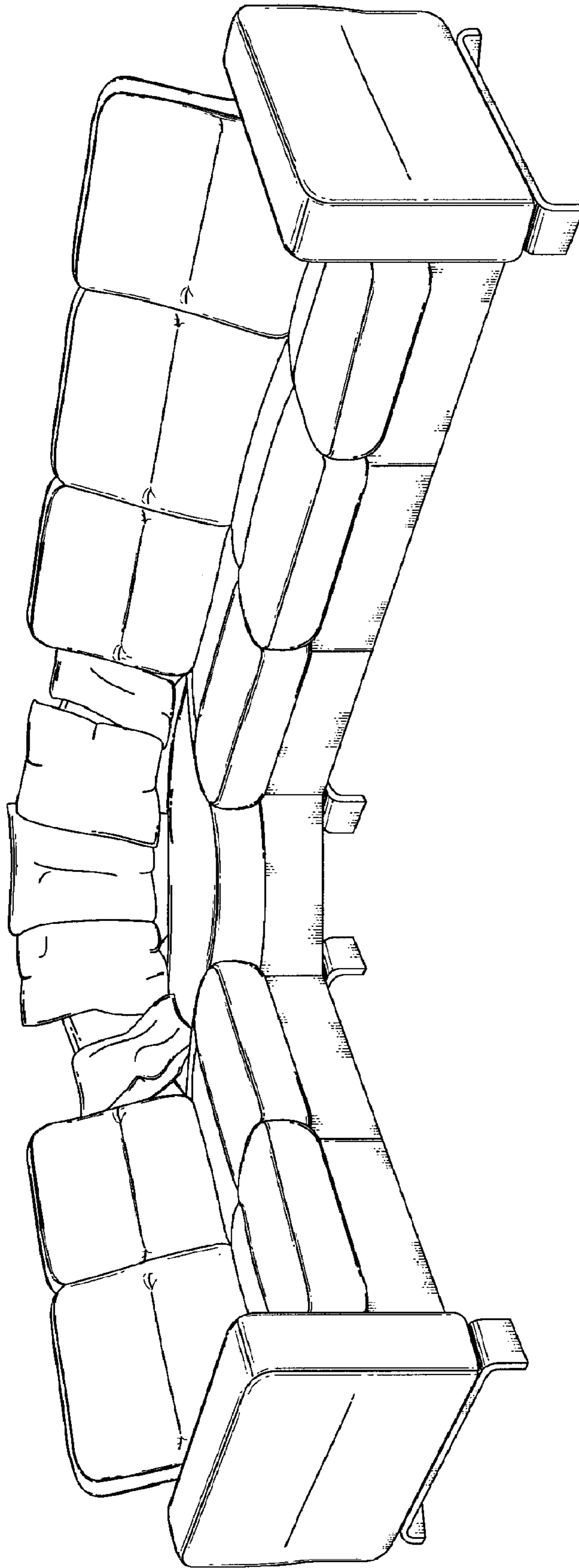


Fig. 8

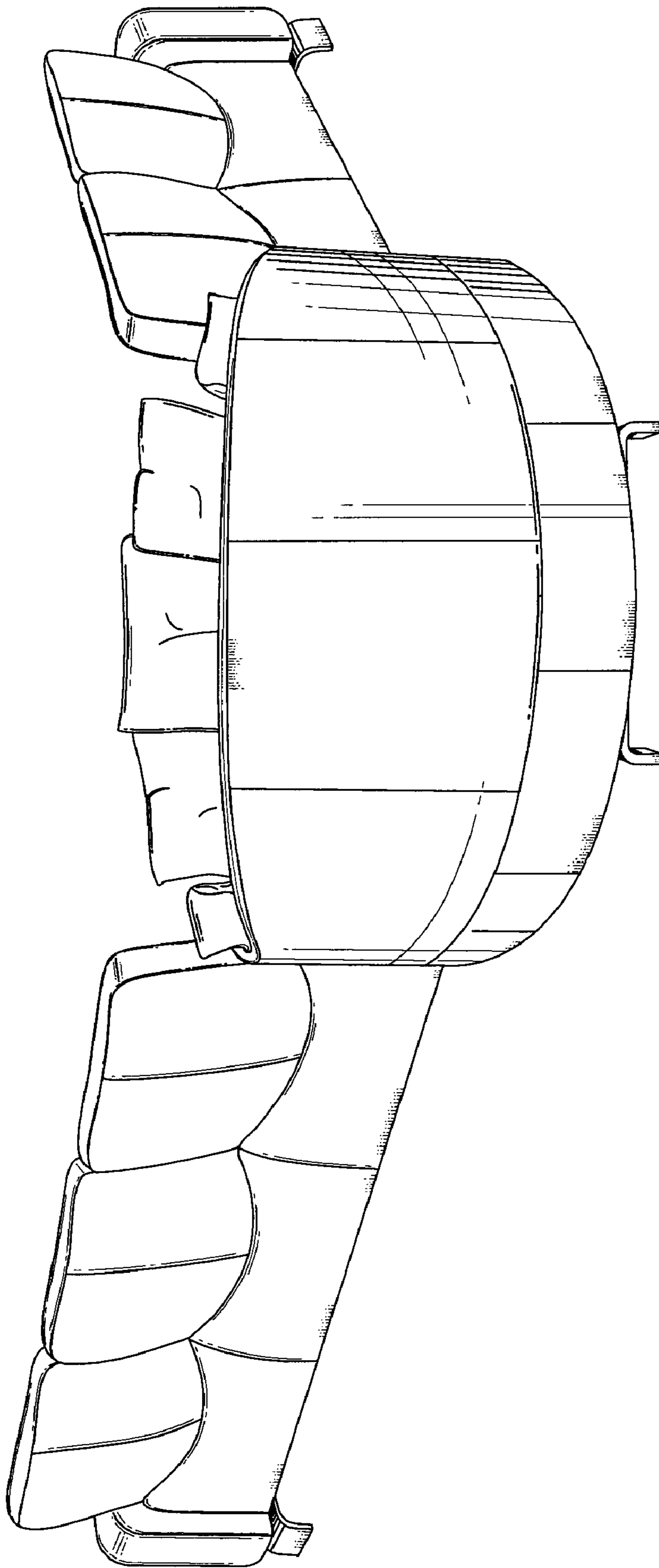
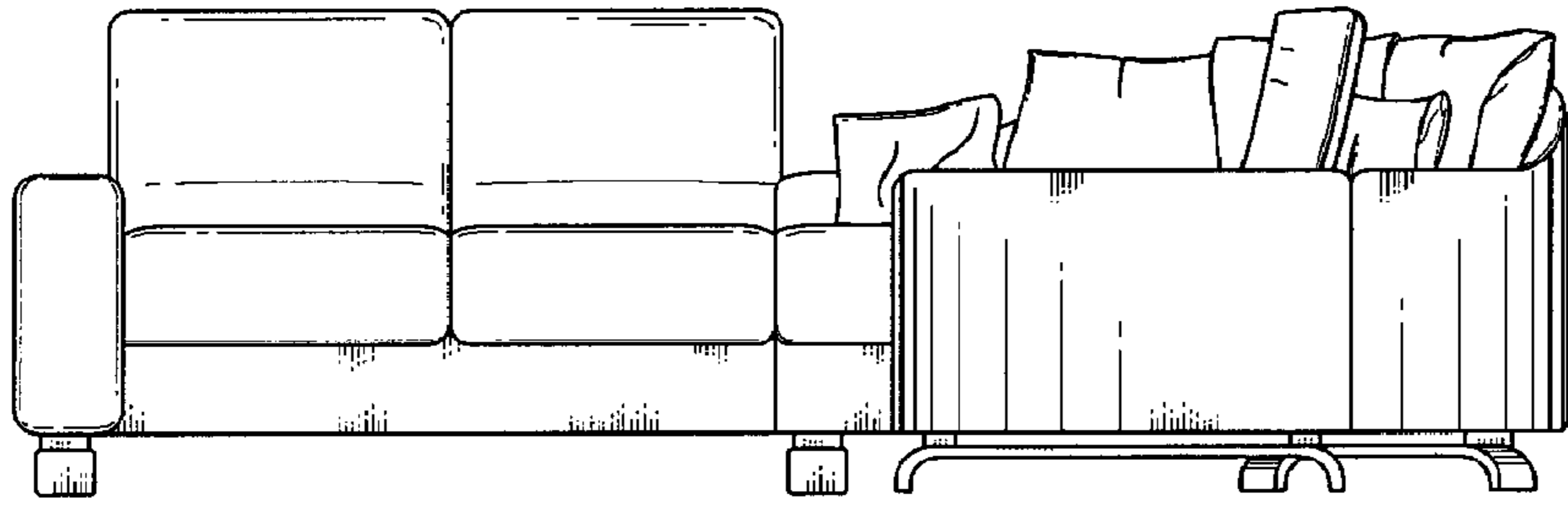
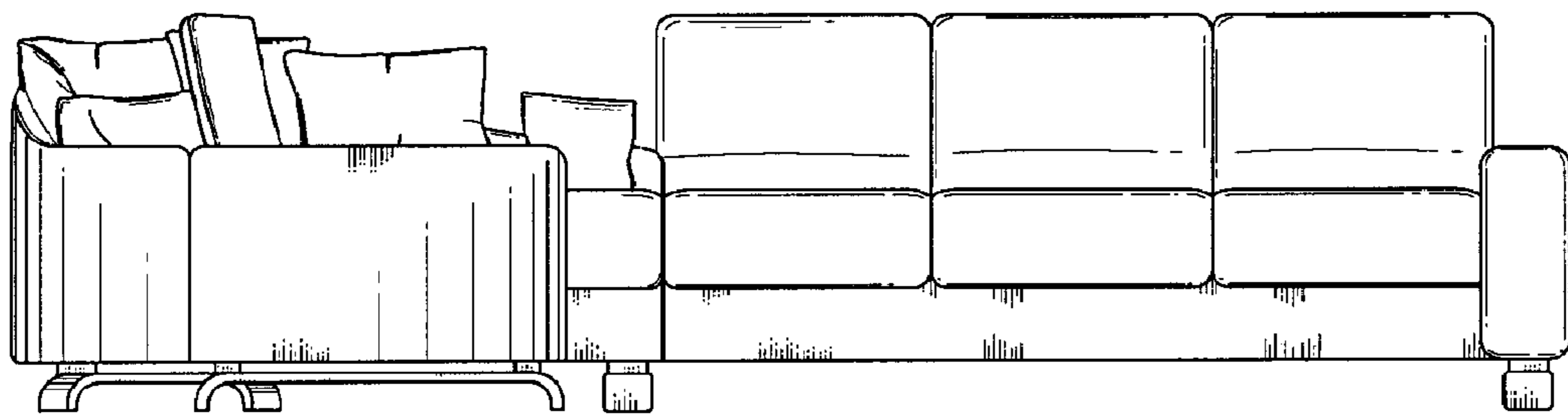


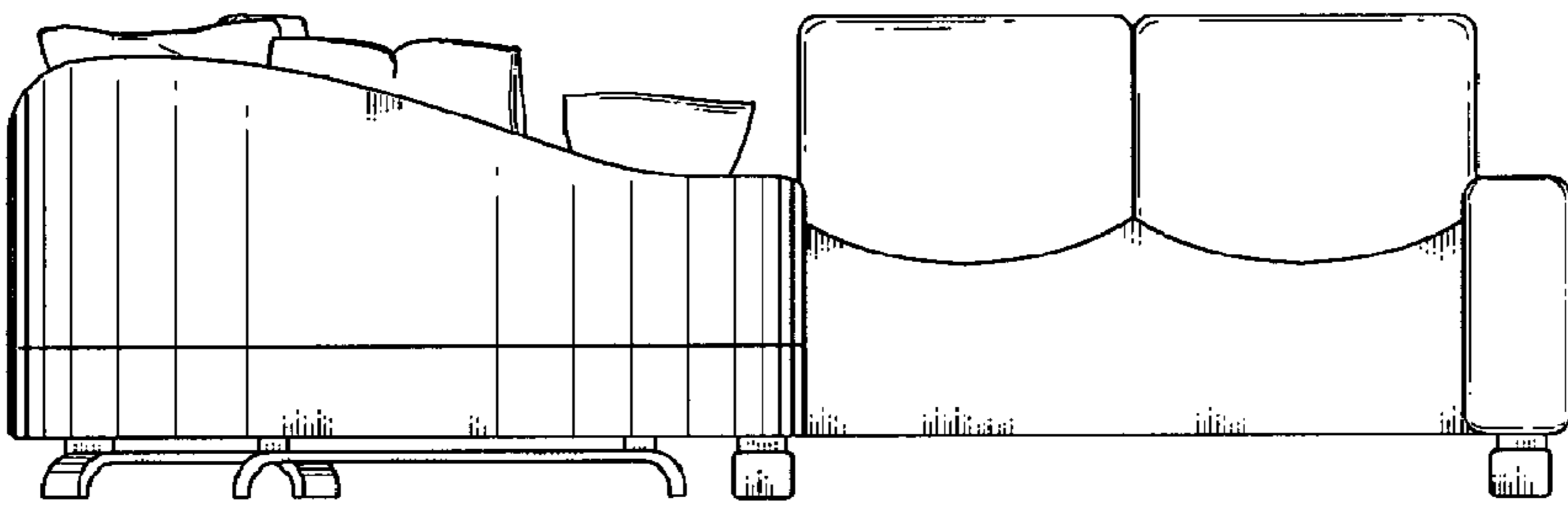
Fig. 9



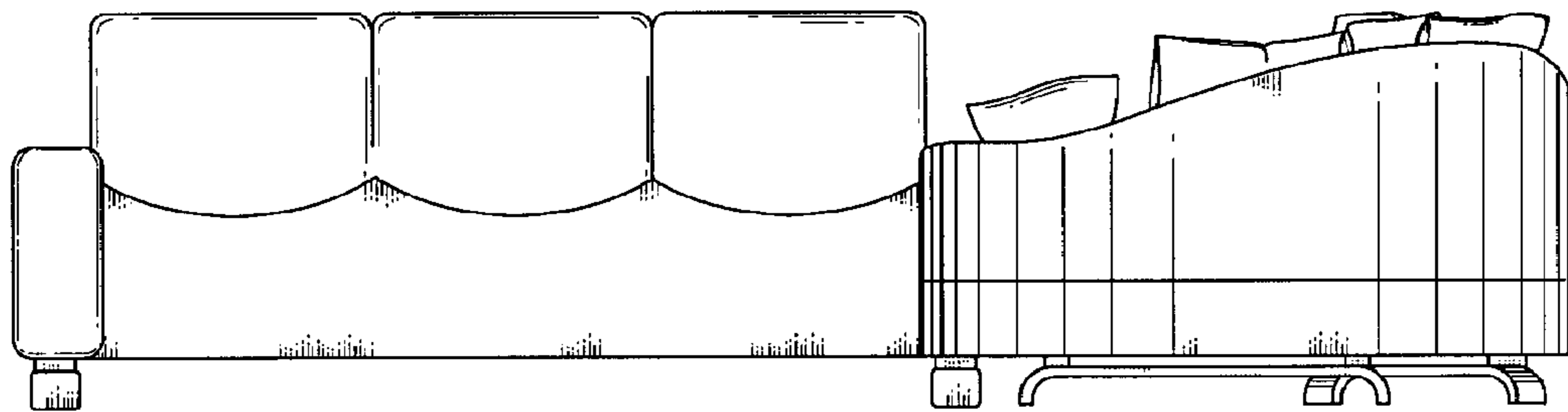
*Fig. 10*



*Fig. 11*



*Fig. 12*



*Fig. 13*



