



US00D557920S

(12) **United States Design Patent**  
**Homestead**

(10) **Patent No.:** **US D557,920 S**

(45) **Date of Patent:** **\*\* Dec. 25, 2007**

(54) **CHAIR**

(75) Inventor: **Peter W. Homestead**, Mission Viejo,  
CA (US)

(73) Assignee: **Tropitone Furniture Co., Inc.**, Irvine,  
CA (US)

(\*\*) Term: **14 Years**

(21) Appl. No.: **29/262,899**

(22) Filed: **Jul. 11, 2006**

(51) **LOC (8) Cl.** ..... **06-01**

(52) **U.S. Cl.** ..... **D6/375**

(58) **Field of Classification Search** ..... D6/374-376,  
D6/334-335, 361, 369, 379, 500-502; 297/445.1,  
297/446.1, 448.1, 447.1, 411.2

See application file for complete search history.

(56) **References Cited**

U.S. PATENT DOCUMENTS

D142,758 S *	10/1945	Weill .....	D6/375
D180,558 S *	7/1957	Jiranek .....	D6/375
D277,346 S *	1/1985	Steinberger .....	D6/374
D312,005 S *	11/1990	Snodgrass .....	D6/379
D339,007 S *	9/1993	Grosfillex .....	D6/379
D409,408 S *	5/1999	James et al. ....	D6/379
D431,121 S *	9/2000	Matthew .....	D6/379
D446,959 S *	8/2001	Cramer .....	D6/379

D478,429 S *	8/2003	Caldwell .....	D6/369
D491,382 S *	6/2004	Caldwell .....	D6/379
D502,333 S *	3/2005	Tseng .....	D6/376
D512,234 S *	12/2005	Spector et al. ....	D6/370
D516,832 S *	3/2006	Schweikarth et al. ....	D6/379

\* cited by examiner

*Primary Examiner*—Joel A. Sincavage

*Assistant Examiner*—Abraham Bahta

(74) *Attorney, Agent, or Firm*—Knobbe, Martens, Olson &  
Bear LLP

(57) **CLAIM**

The ornamental design for a chair, as shown and described.

**DESCRIPTION**

FIG. 1 is perspective view of a chair showing the new design;

FIG. 2 is a left side elevation view;

FIG. 3 is a right side elevation view;

FIG. 4 is a front elevation view;

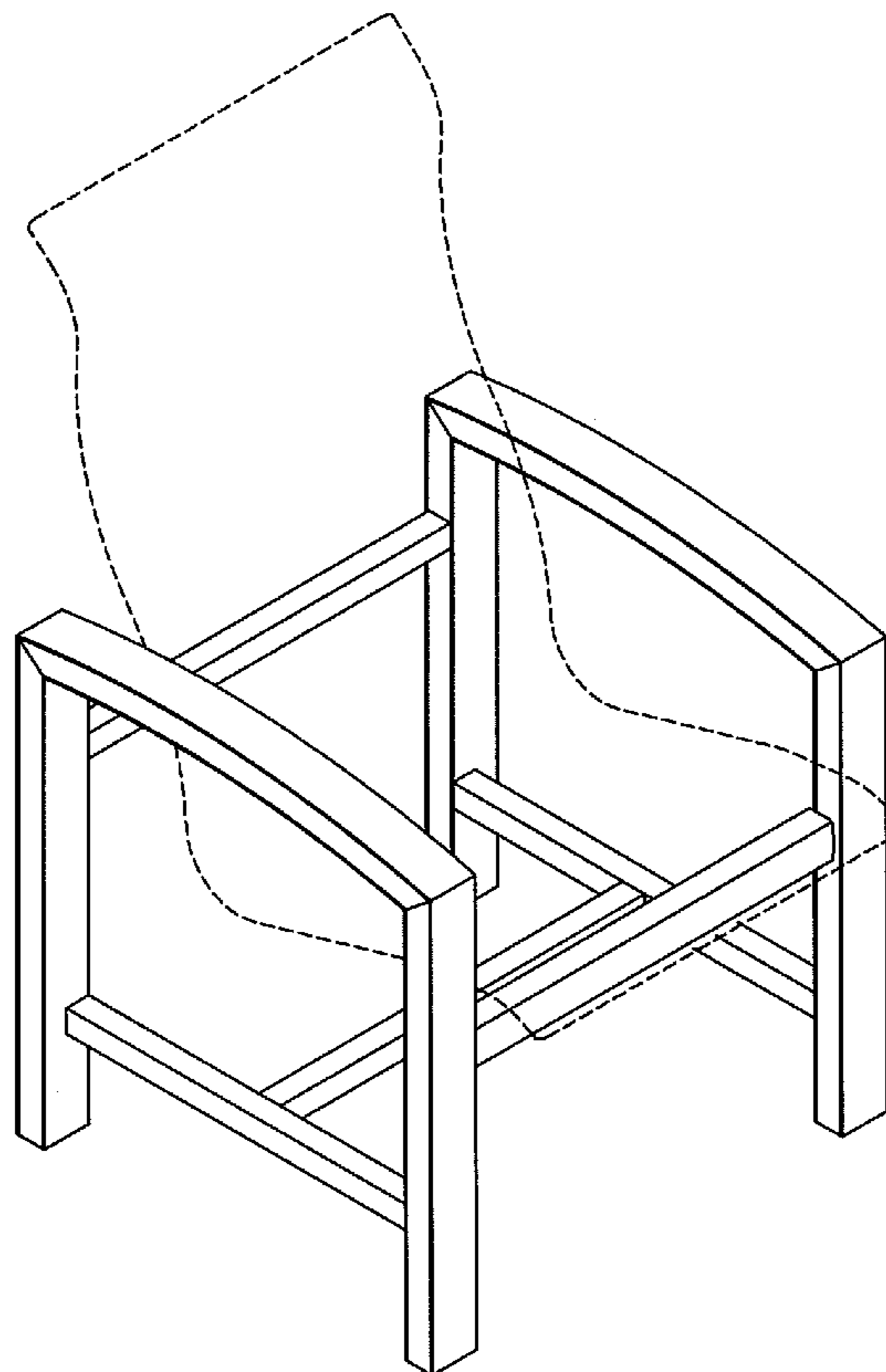
FIG. 5 is a rear elevation view;

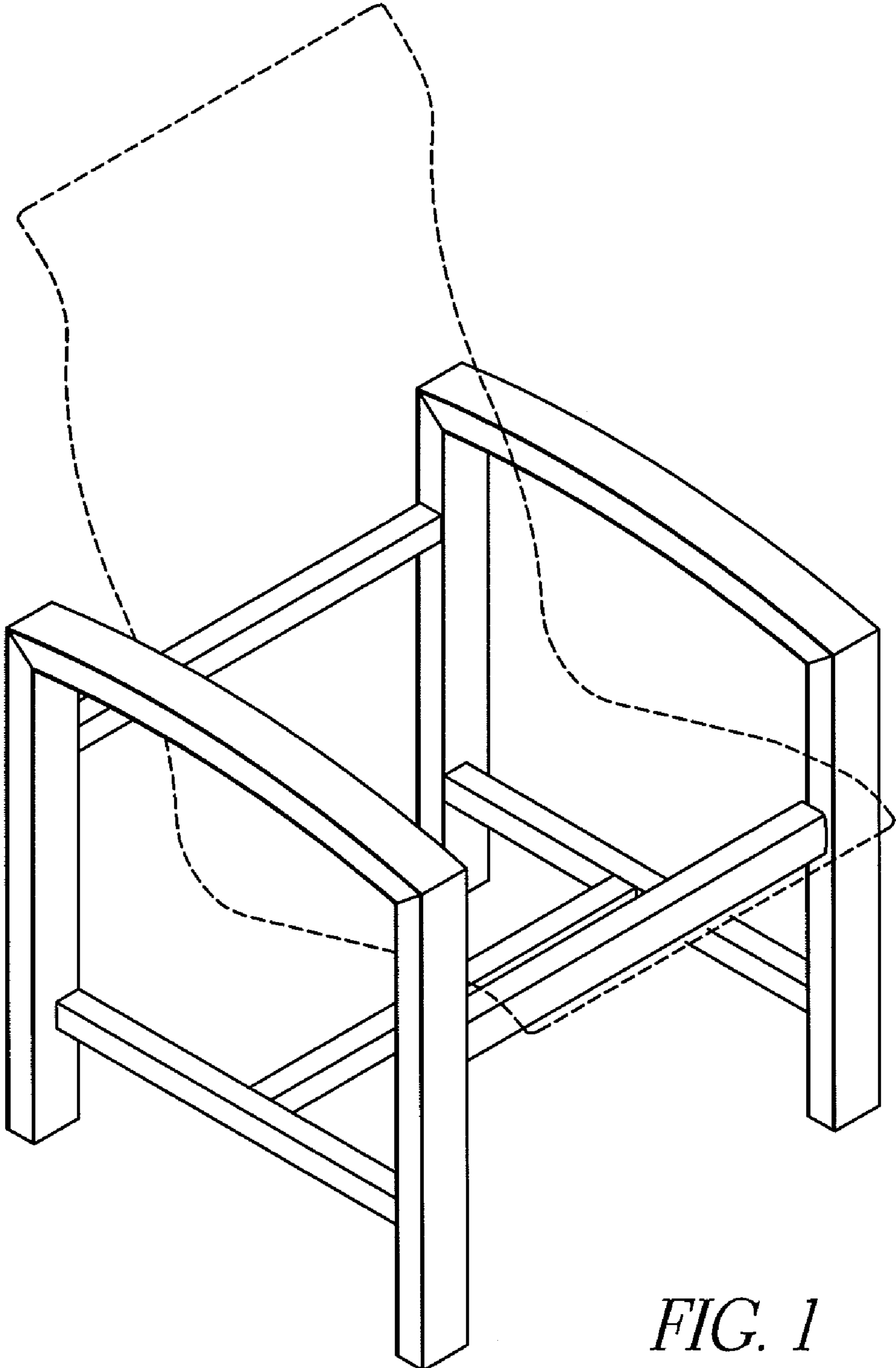
FIG. 6 is a bottom plan view; and,

FIG. 7 is a top plan view.

The broken lines shown in FIGS. 1 to 7 are for illustrative purposes only and form no part of the claimed design.

**1 Claim, 4 Drawing Sheets**





*FIG. 1*

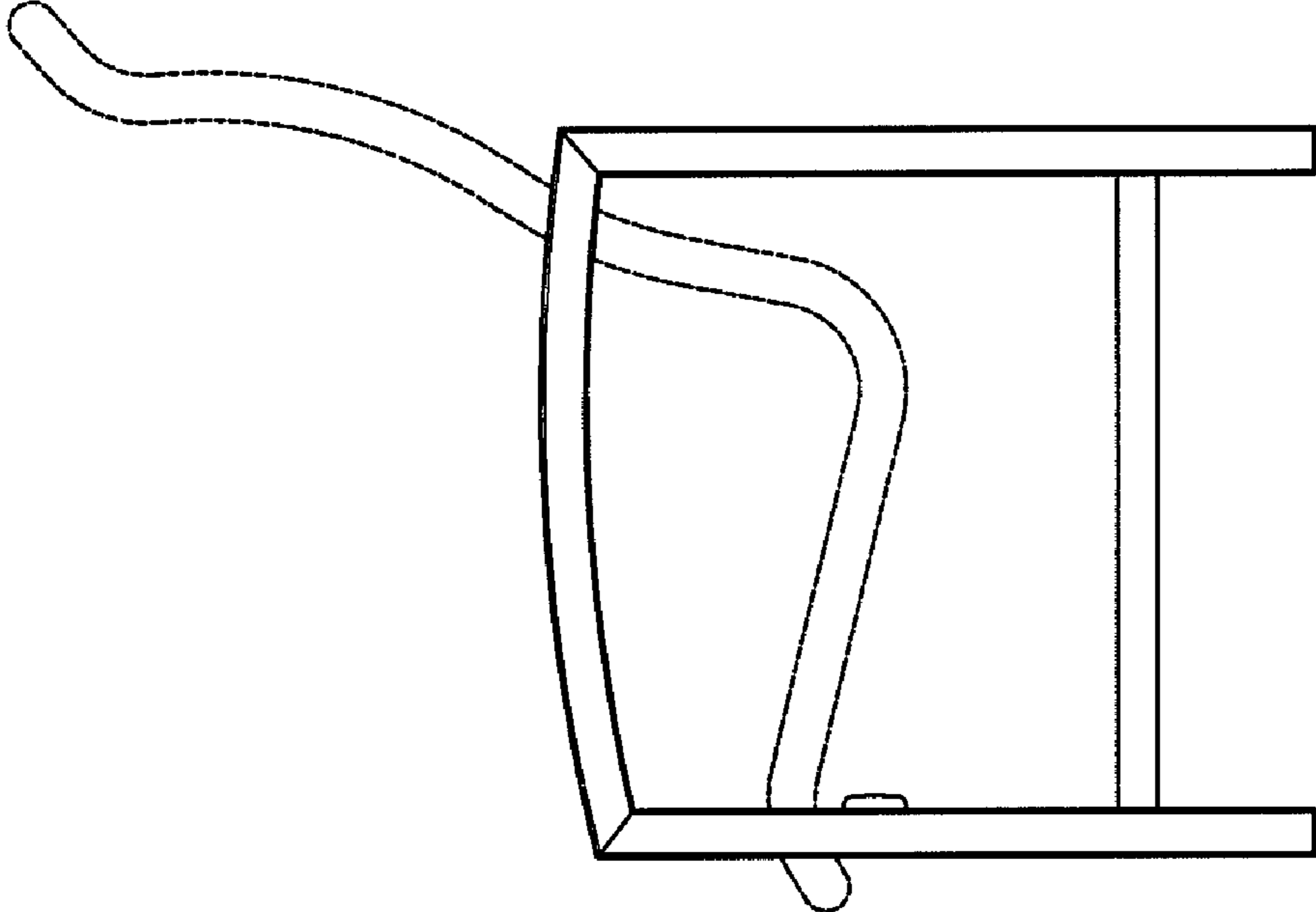


FIG. 3

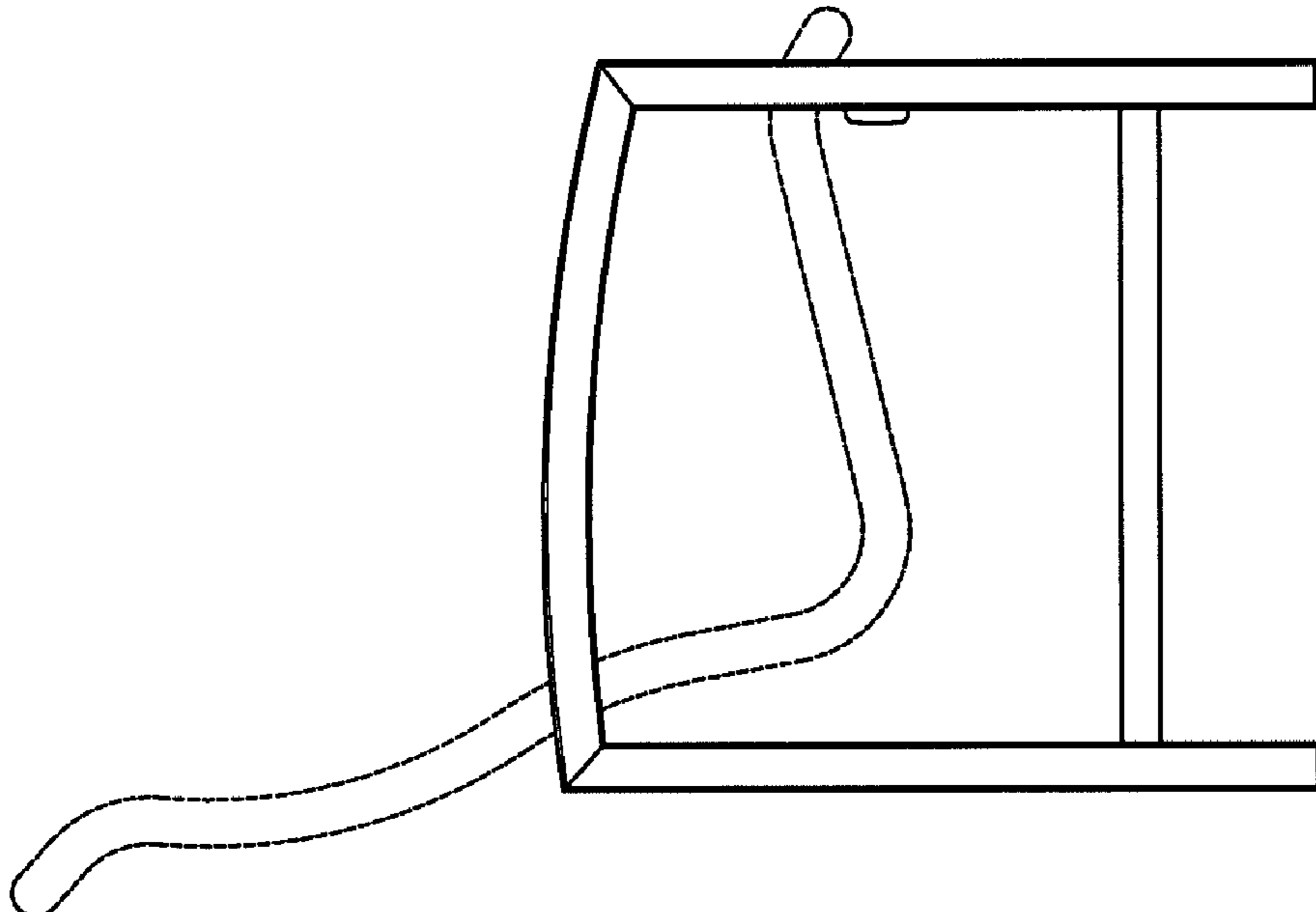


FIG. 2

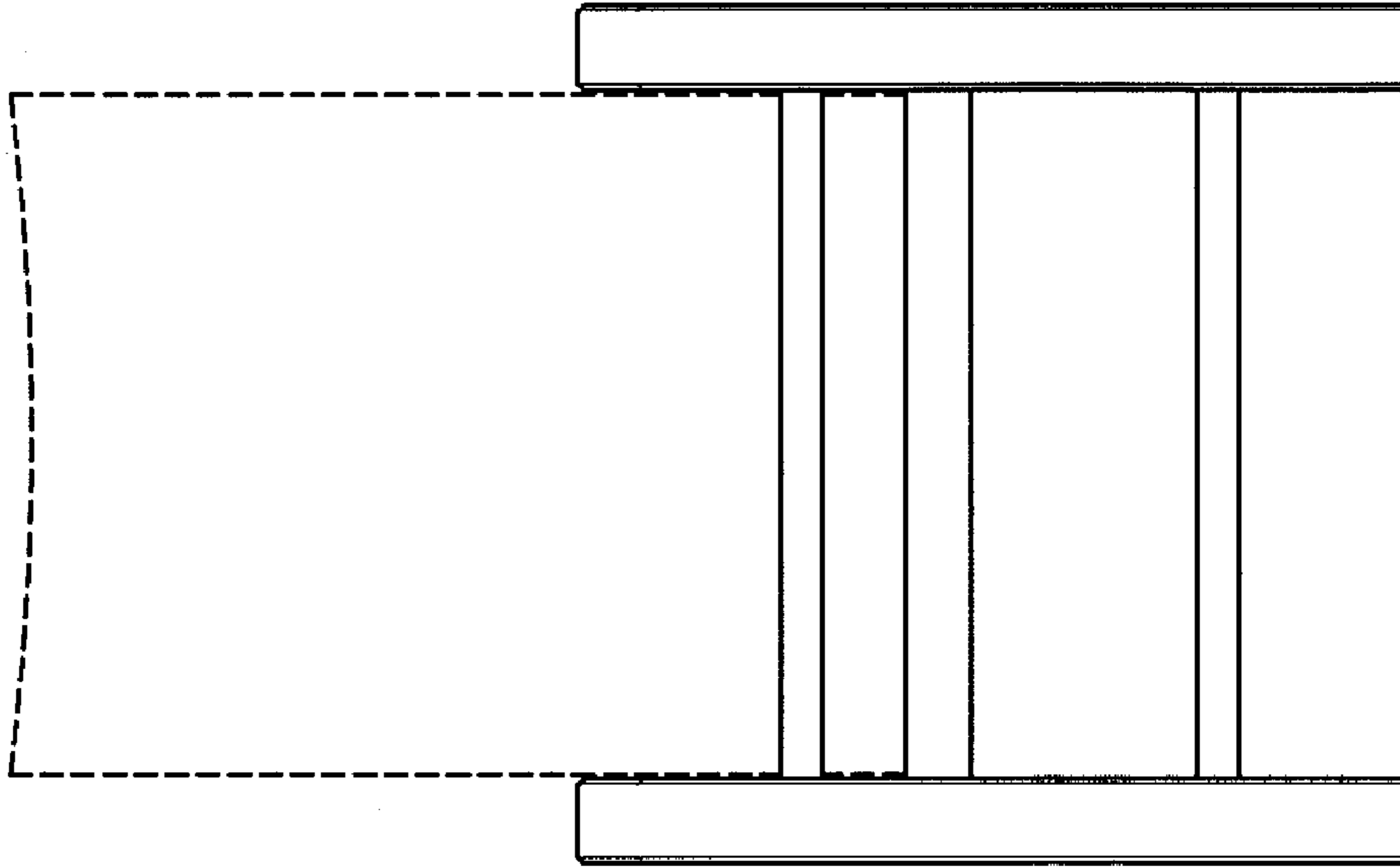


FIG. 5

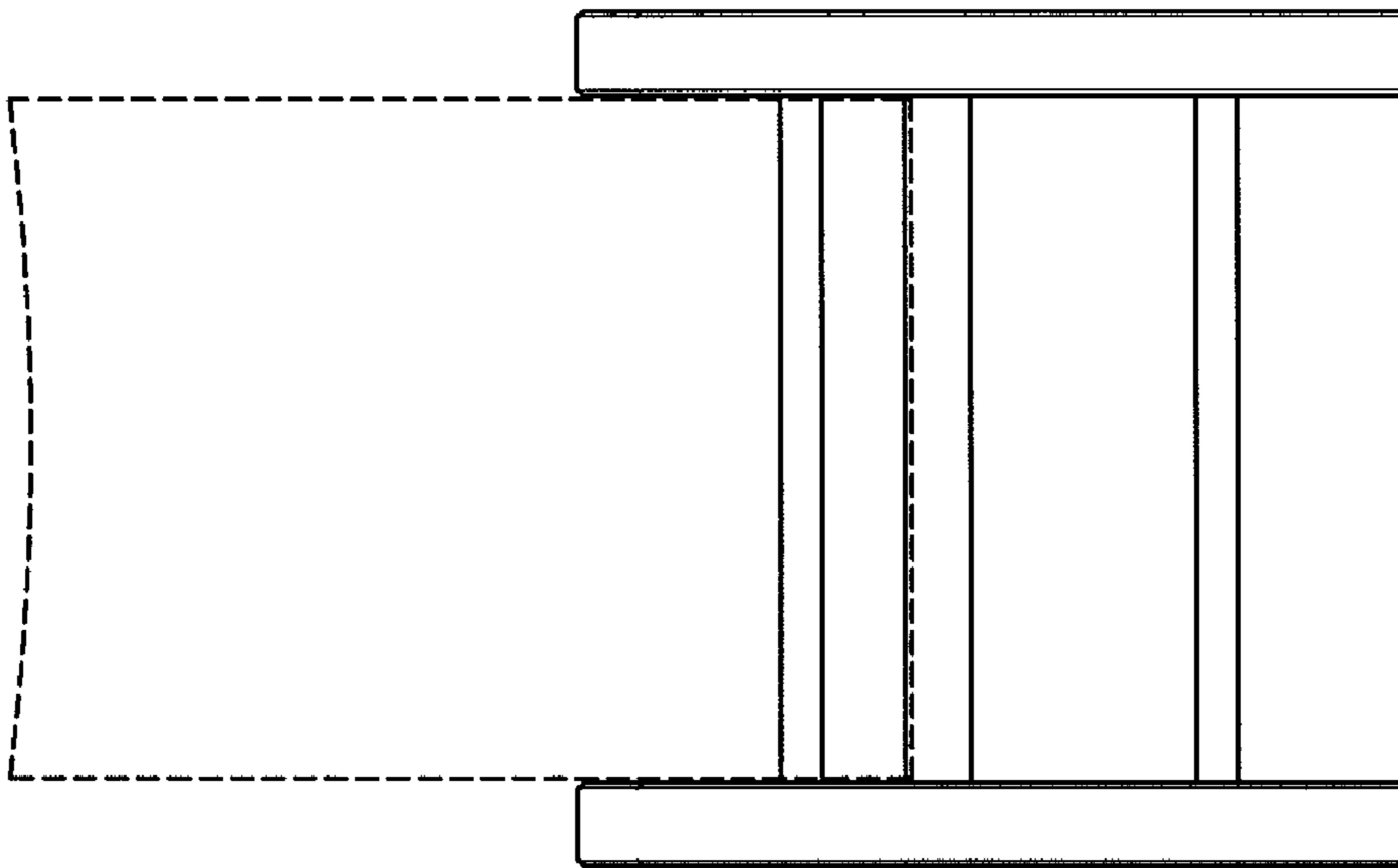


FIG. 4

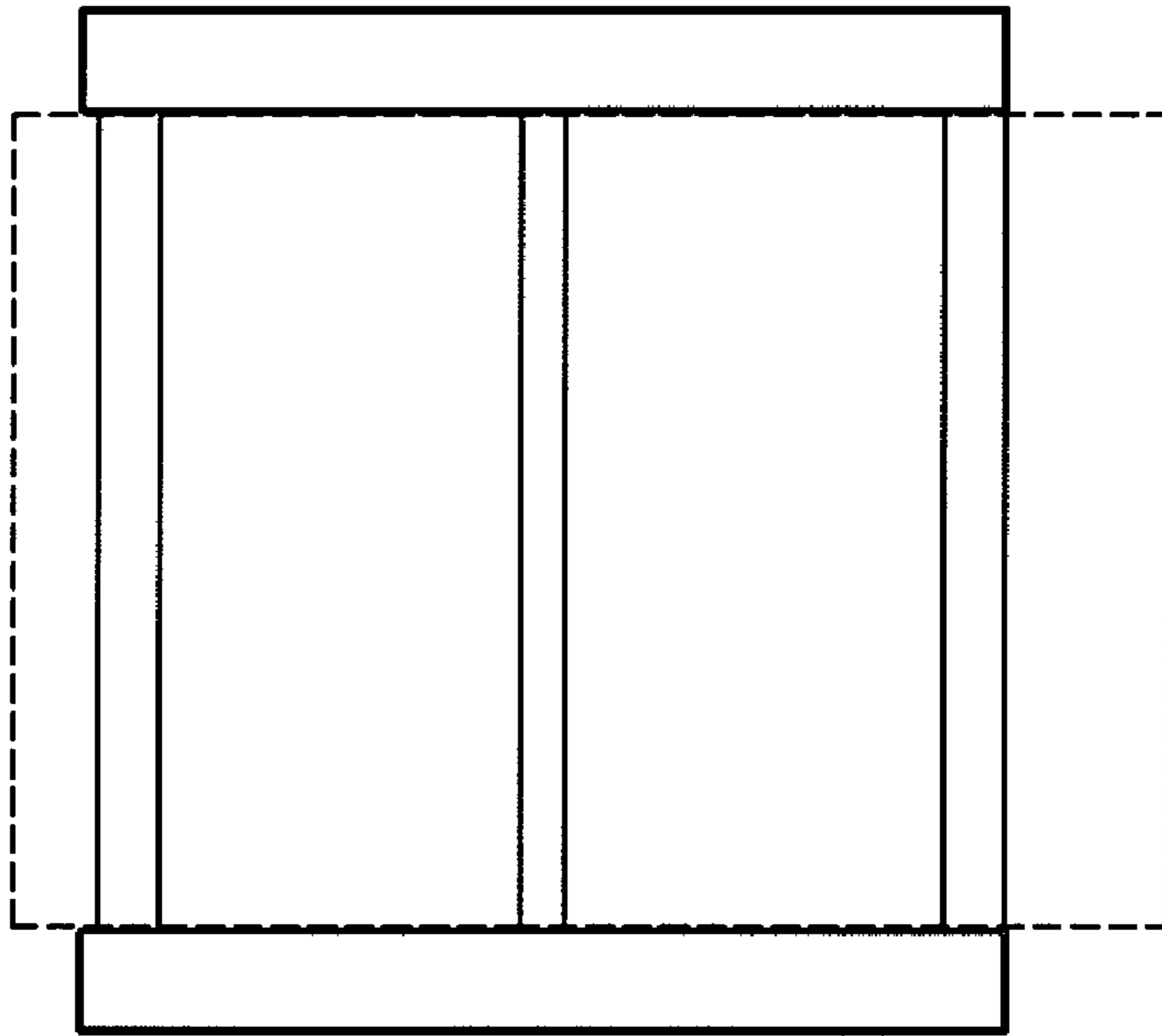


FIG. 6

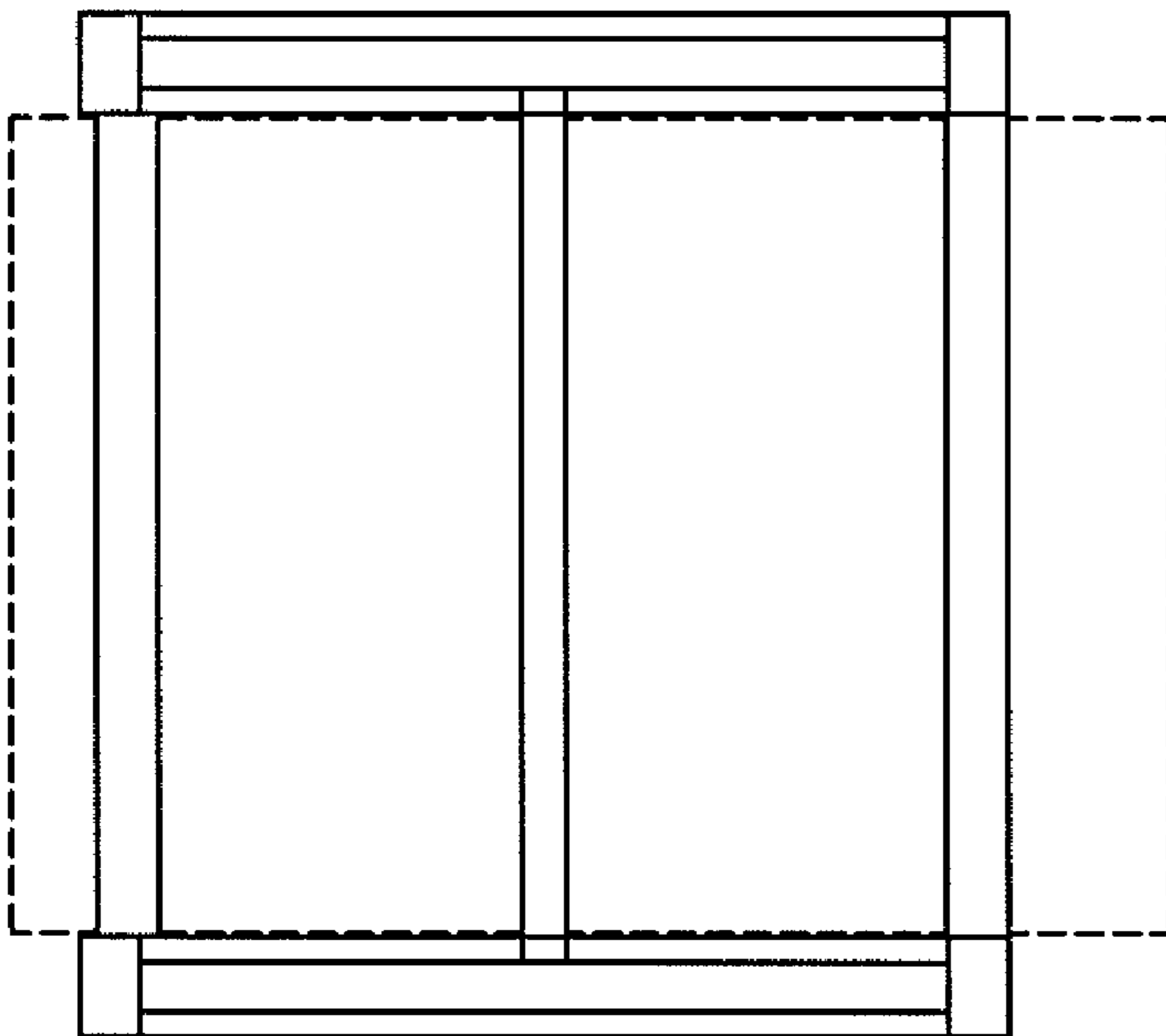


FIG. 7