



US00D557918S

(12) **United States Design Patent**
Nakamura et al.

(10) **Patent No.:** **US D557,918 S**
(45) **Date of Patent:** **** Dec. 25, 2007**

(54) **CHAIR**

(75) Inventors: **Yasuhiro Nakamura**, Tokyo (JP);
Kyoko Takano, Tokyo (JP); **Yuiko Magata**, Osaka (JP); **Kaori Akiyama**, Osaka (JP); **Yoshiko Yagi**, Osaka (JP)

(73) Assignee: **Itoki Corporation**, Osaka-shi, Osaka (JP)

(**) Term: **14 Years**

(21) Appl. No.: **29/271,040**

(22) Filed: **Jan. 9, 2007**

(30) **Foreign Application Priority Data**

Jul. 14, 2006 (JP) 2006-018659

(51) **LOC (8) Cl.** **06-01**

(52) **U.S. Cl.** **D6/366**

(58) **Field of Classification Search** D6/334-335,
D6/364, 365, 366, 367, 374, 500-502; 297/284.1,
297/284.4, 452.11, 452.3, 452.29, 463.1
See application file for complete search history.

(56) **References Cited**

U.S. PATENT DOCUMENTS

D267,989 S *	2/1983	Buhk et al.	D6/366
D267,990 S *	2/1983	Buhk et al.	D6/366
D288,389 S *	2/1987	Ochsner	D6/366
D358,063 S *	5/1995	Larkin	D6/366
D358,064 S *	5/1995	Larkin	D6/366
D397,258 S *	8/1998	Heyder et al.	D6/366

D459,903 S *	7/2002	Lo	D6/366
D463,694 S *	10/2002	Chu	D6/502
D496,812 S *	10/2004	Chu	D6/500

FOREIGN PATENT DOCUMENTS

JP 1258243 12/2005

* cited by examiner

Primary Examiner—Mimosa De

(74) *Attorney, Agent, or Firm*—McGinn IP Law Group, PLLC

(57) **CLAIM**

The ornamental design for a chair, as shown and described.

DESCRIPTION

FIG. 1 is a perspective view of top, front and left side of a chair showing our new design;

FIG. 2 is a perspective view of top, rear and left side thereof;

FIG. 3 is a front view thereof;

FIG. 4 is a rear view thereof;

FIG. 5 is a top plan view thereof;

FIG. 6 is a bottom view thereof;

FIG. 7 is a right side view thereof;

FIG. 8 is a left side view thereof;

FIG. 9 is a right side view thereof with the front part of seat in folded condition; and,

FIG. 10 is a right side view thereof with the back in reclined condition.

1 Claim, 5 Drawing Sheets

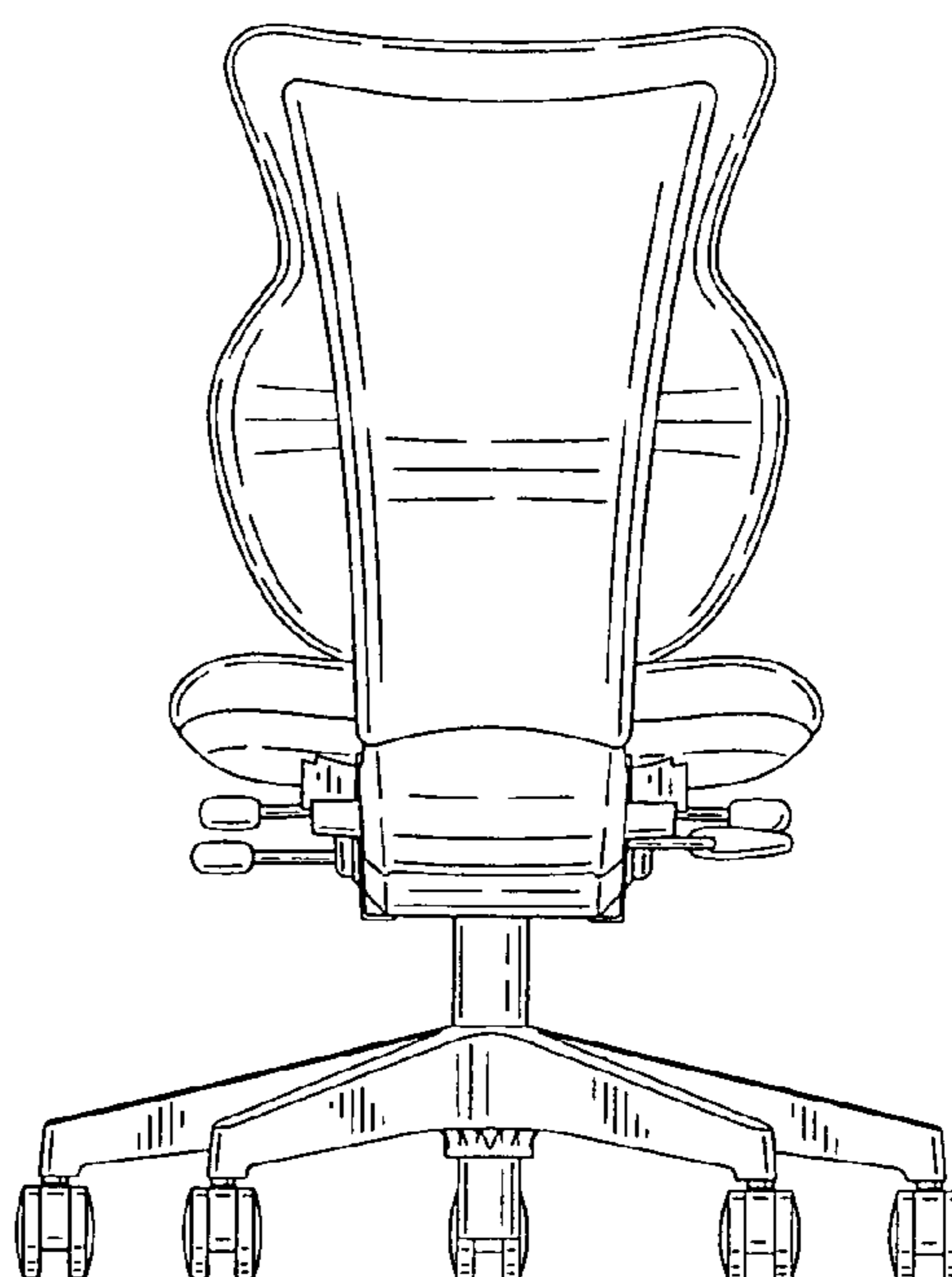
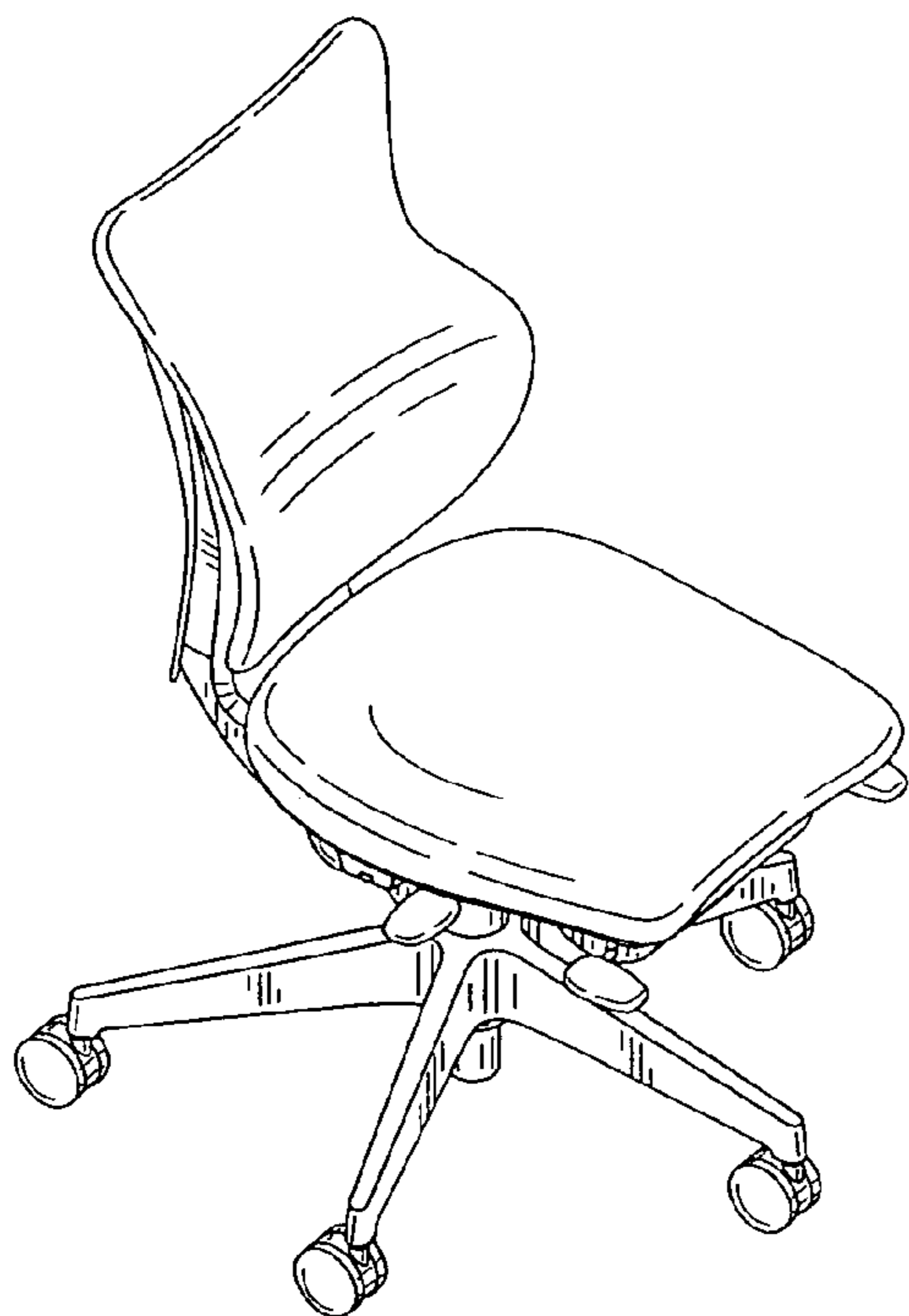




FIG. 1



FIG. 2

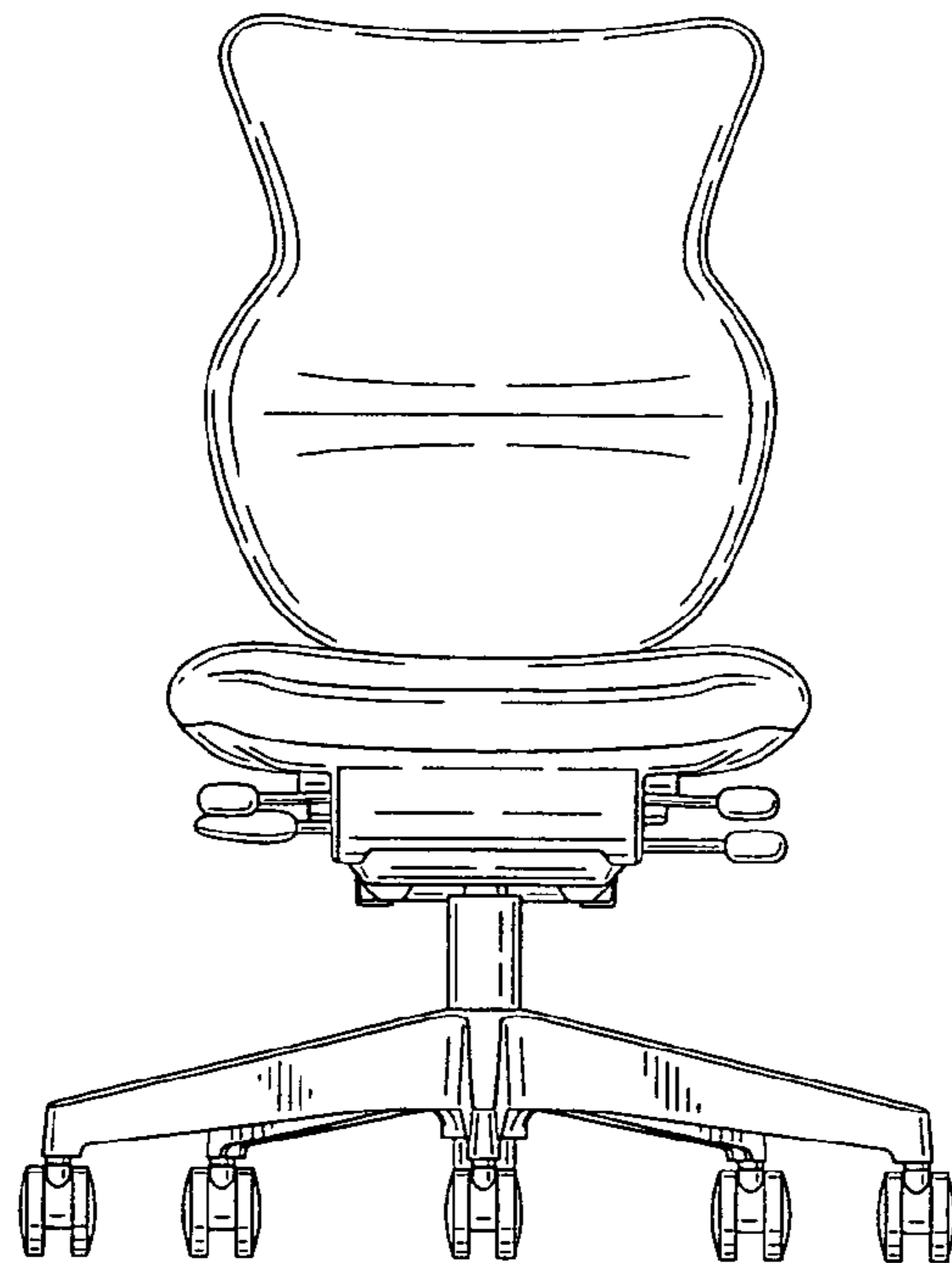


FIG. 3

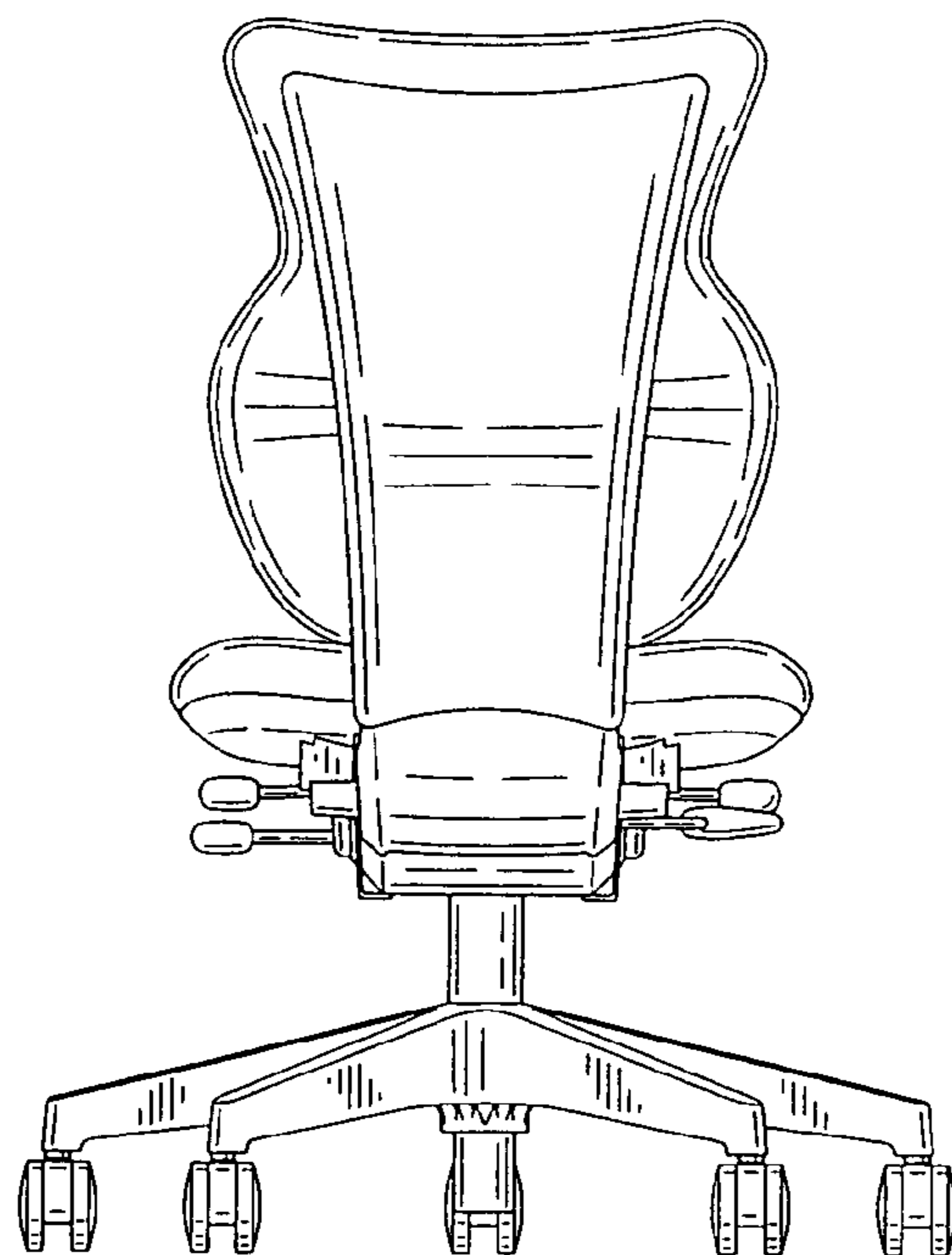


FIG. 4

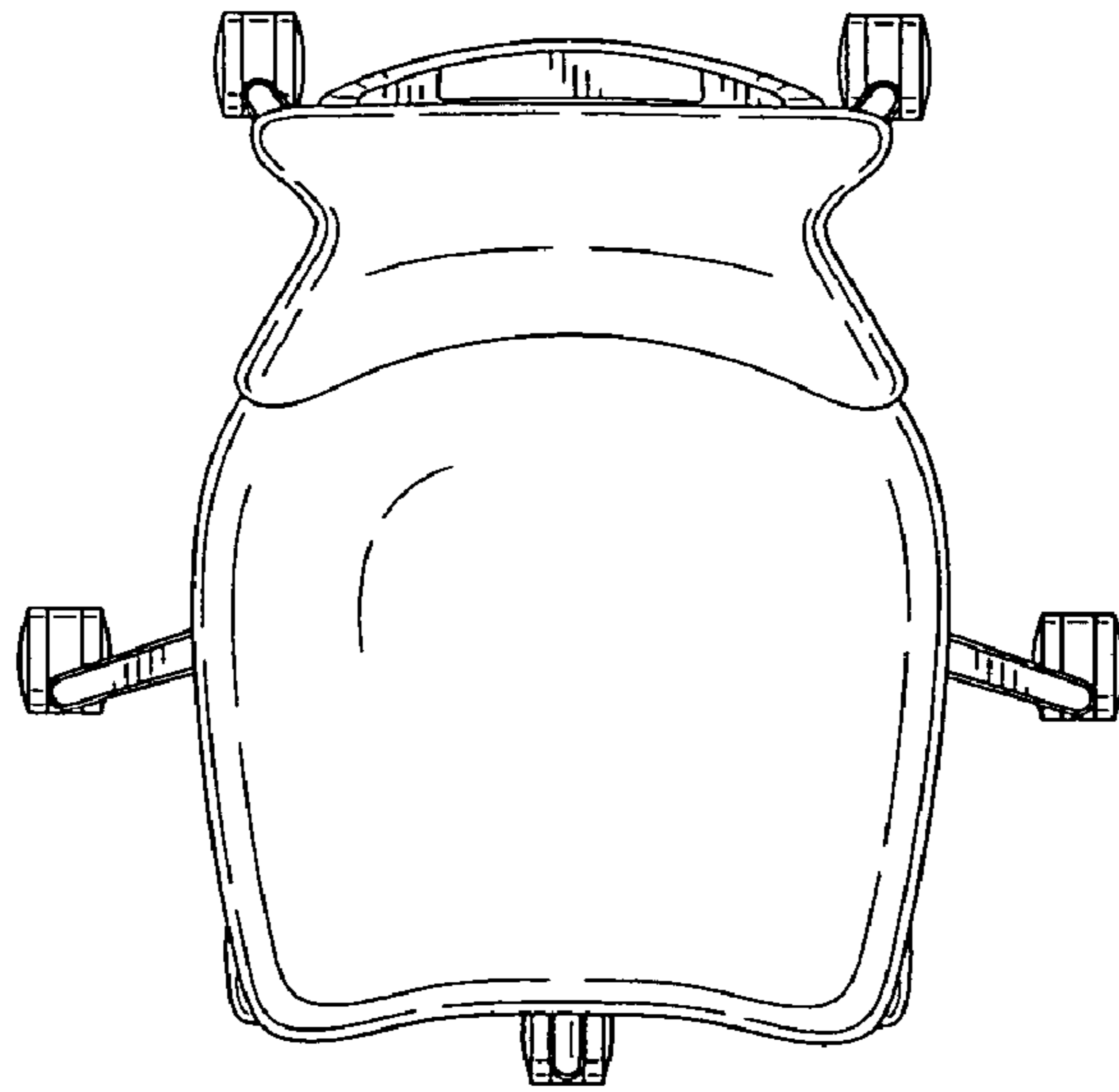


FIG. 5

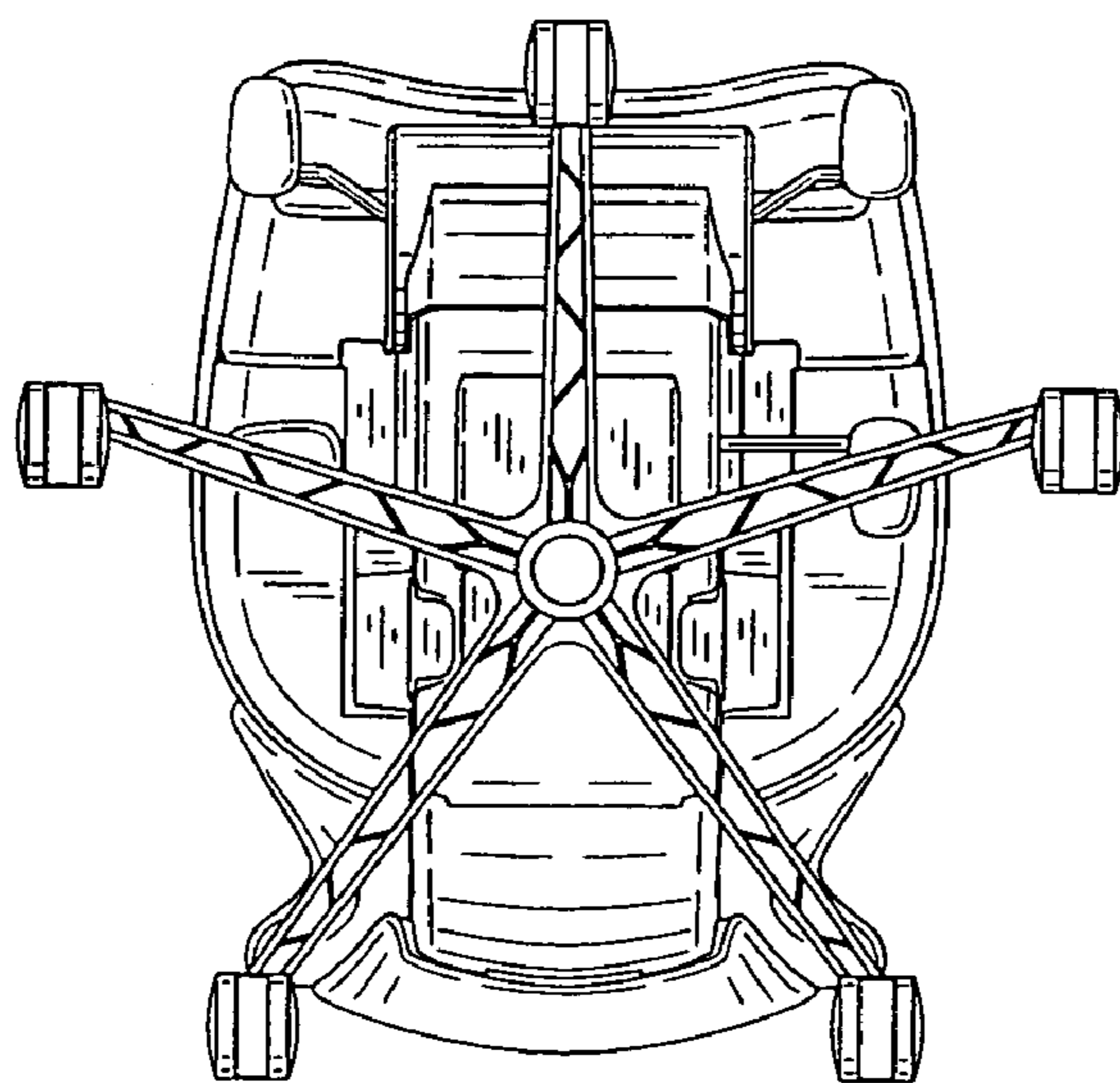


FIG. 6

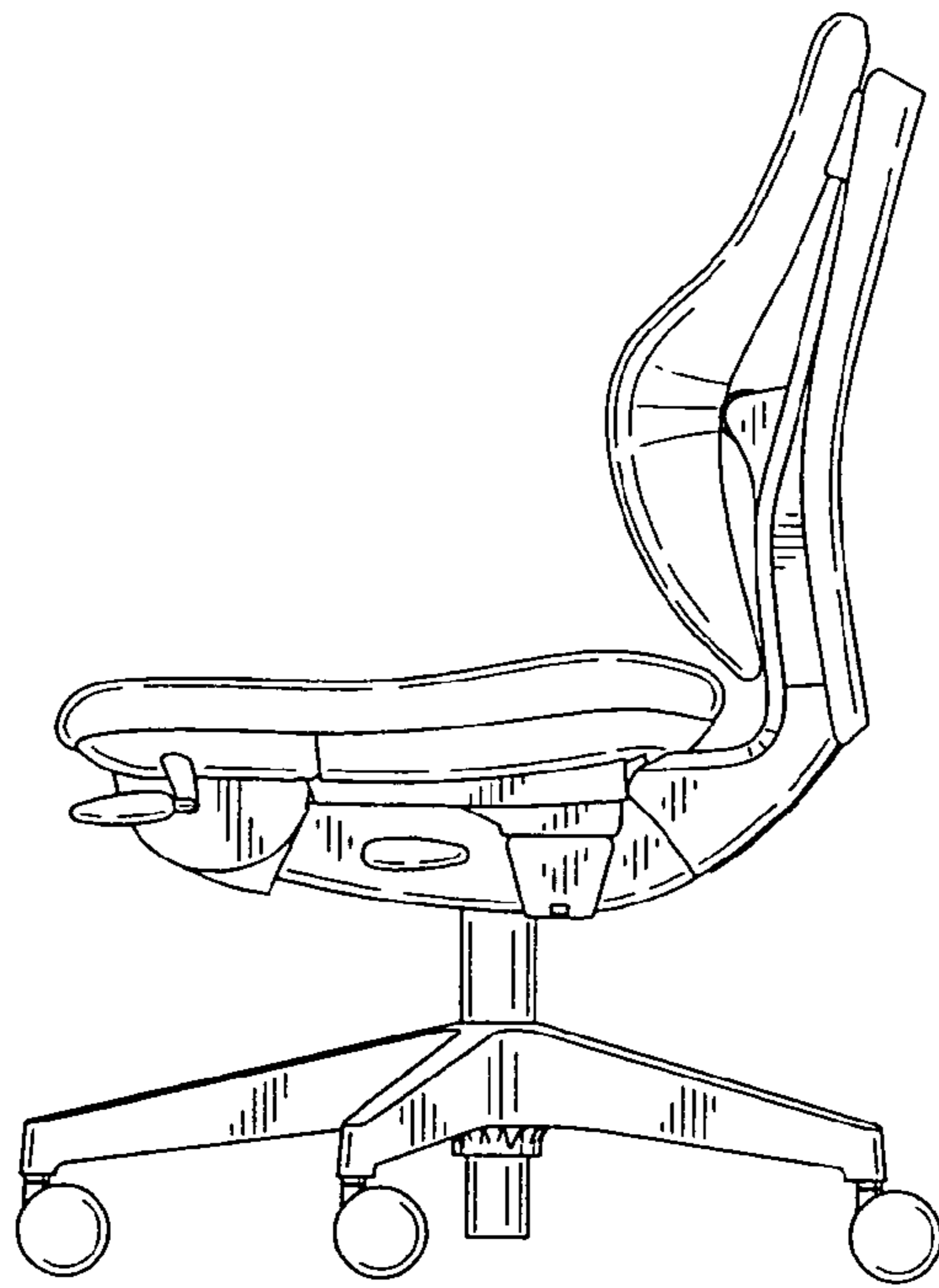


FIG. 7

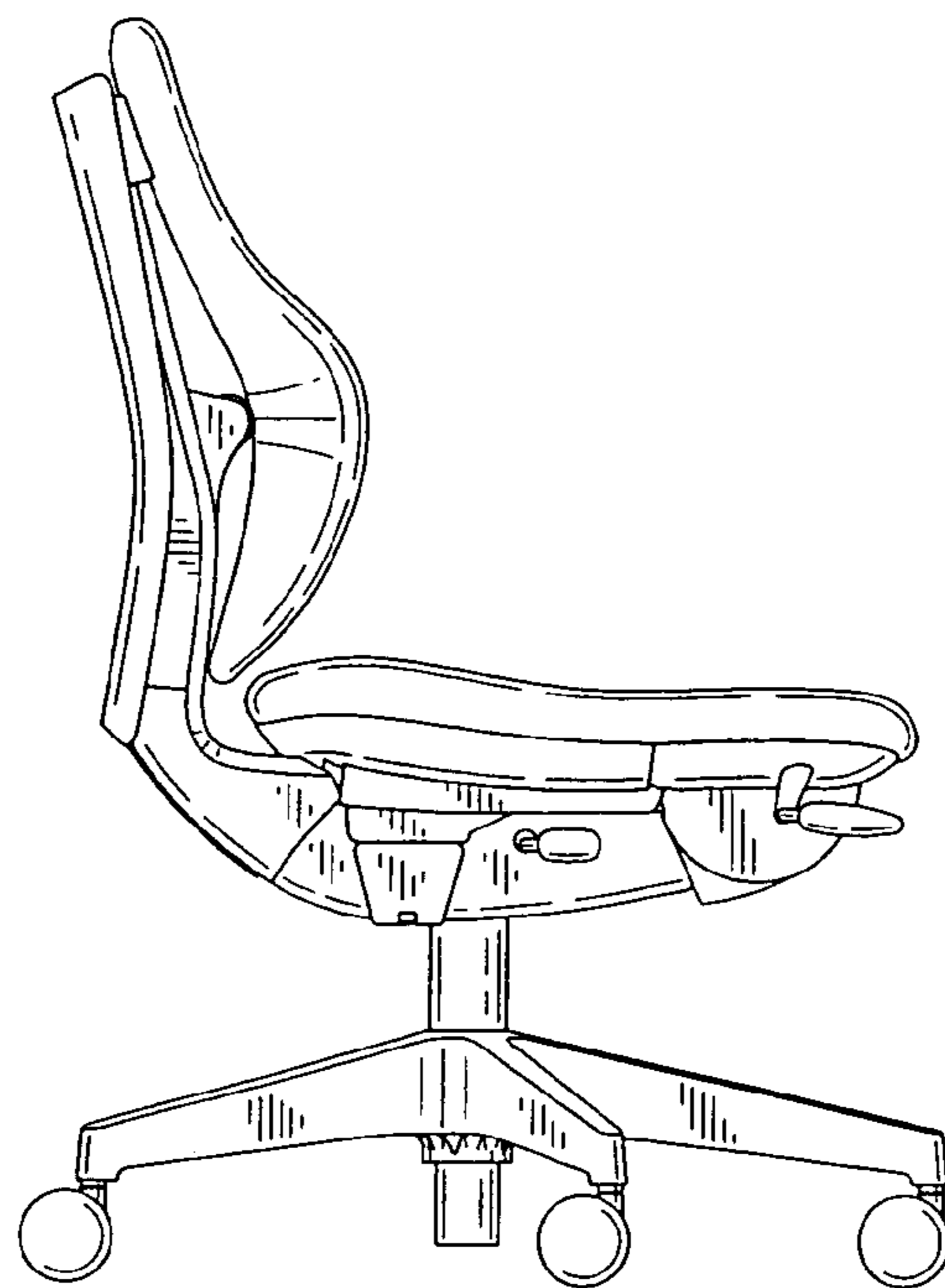


FIG. 8

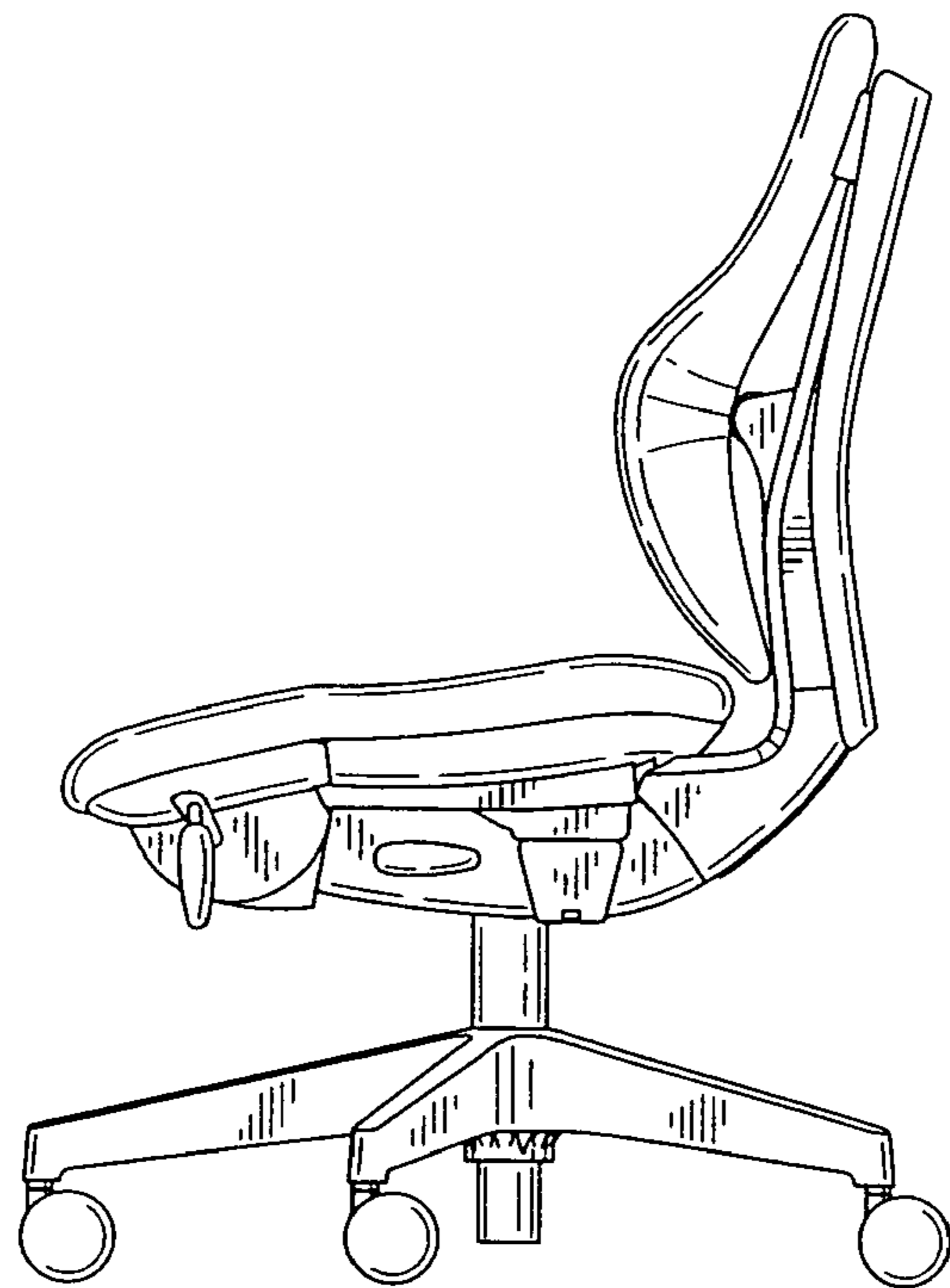


FIG. 9

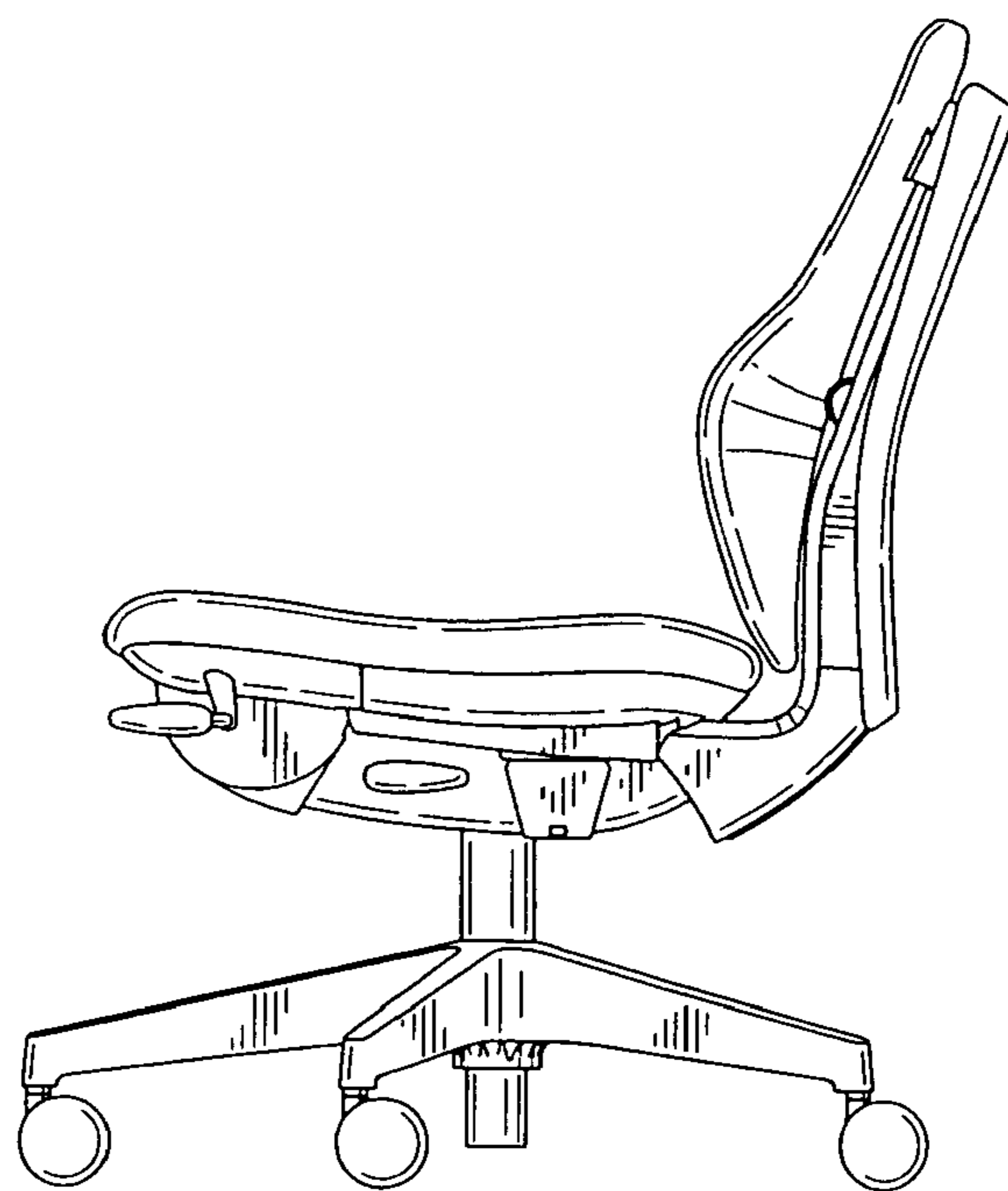


FIG. 10