



US00D557917S

(12) **United States Design Patent**
Nakamura et al.

(10) **Patent No.:** **US D557,917 S**

(45) **Date of Patent:** **** Dec. 25, 2007**

(54) **CHAIR**

(75) Inventors: **Yasuhiro Nakamura**, Tokyo (JP);
Takayuki Kumazawa, Tokyo (JP)

(73) Assignee: **Itoki Corporation**, Osaka-shi, Osaka
(JP)

(**) Term: **14 Years**

(21) Appl. No.: **29/271,039**

(22) Filed: **Jan. 9, 2007**

(30) **Foreign Application Priority Data**

Jul. 11, 2006 (JP) 2006-018248

(51) **LOC (8) Cl.** **06-01**

(52) **U.S. Cl.** **D6/366**

(58) **Field of Classification Search** D6/334-335,
D6/364, 365, 366, 367, 374, 500-502; 297/284.1,
297/284.4, 452.11, 452.29, 452.3, 463.1
See application file for complete search history.

(56) **References Cited**

U.S. PATENT DOCUMENTS

- D444,309 S * 7/2001 Nagamitsu D6/366
- D460,869 S * 7/2002 Koepke et al. D6/366
- D461,661 S * 8/2002 Koepke et al. D6/500
- D462,187 S * 9/2002 Koepke et al. D6/366
- D476,821 S * 7/2003 Koepke et al. D6/366
- D505,798 S * 6/2005 Seiler D6/366
- D517,820 S * 3/2006 Citterio D6/366

- D534,748 S * 1/2007 Chu D6/502
- D540,079 S * 4/2007 Bock D6/502
- D543,041 S * 5/2007 Hara D6/366

FOREIGN PATENT DOCUMENTS

JP 1125074 10/2001

* cited by examiner

Primary Examiner—Mimosa De

(74) *Attorney, Agent, or Firm*—McGinn IP Law Group,
PLLC

(57) **CLAIM**

The ornamental design for a chair, as shown and described.

DESCRIPTION

FIG. 1 is a perspective view of top, front and right side of a chair showing our new design;

FIG. 2 is a perspective view of top, rear and right side thereof;

FIG. 3 is a front view thereof;

FIG. 4 is a rear view thereof;

FIG. 5 is a top plan view thereof;

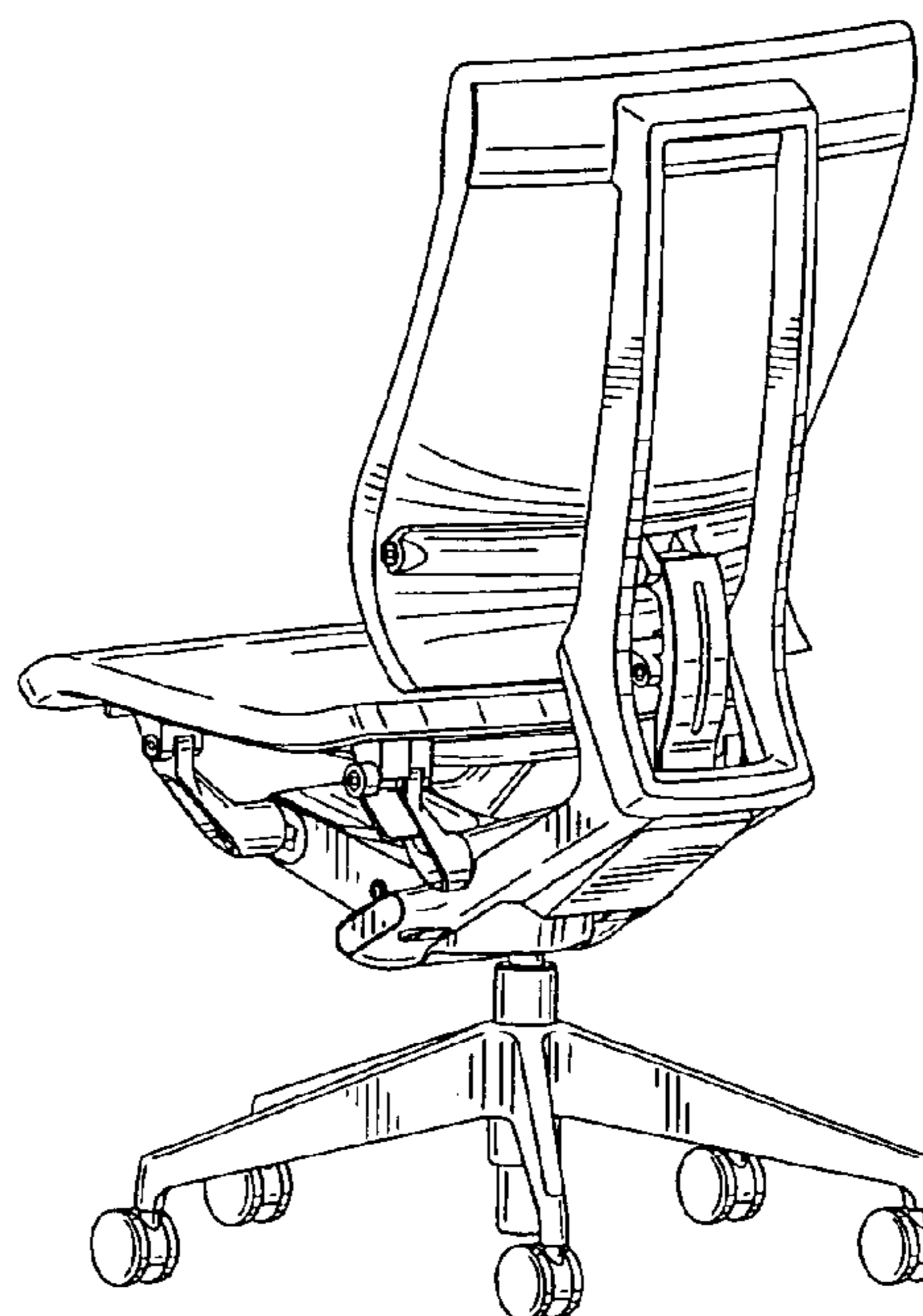
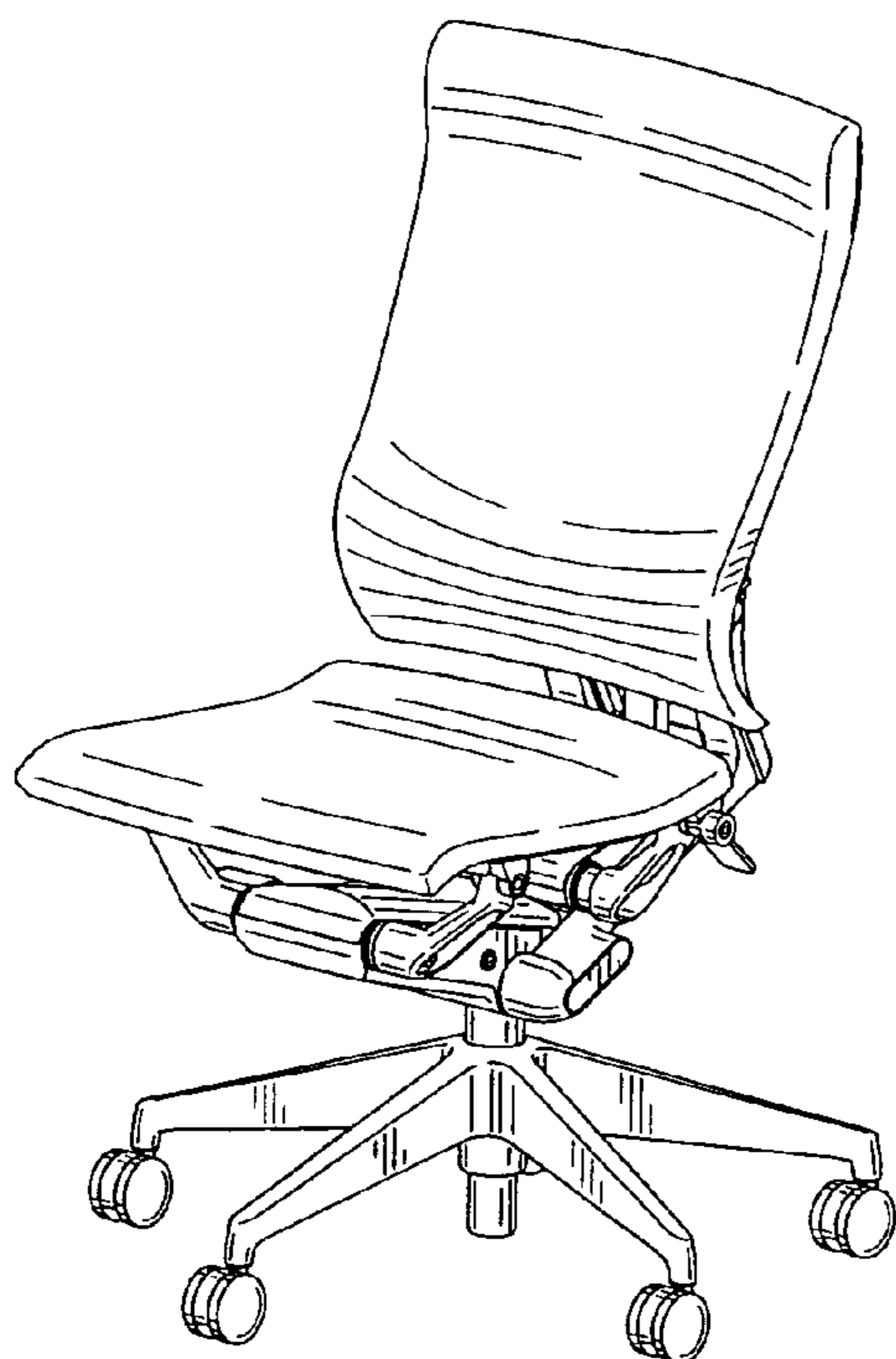
FIG. 6 is a bottom view thereof;

FIG. 7 is a right side view thereof;

FIG. 8 is a left side view thereof; and,

FIG. 9 is a right side view thereof with the back and the seat in moving position.

1 Claim, 5 Drawing Sheets



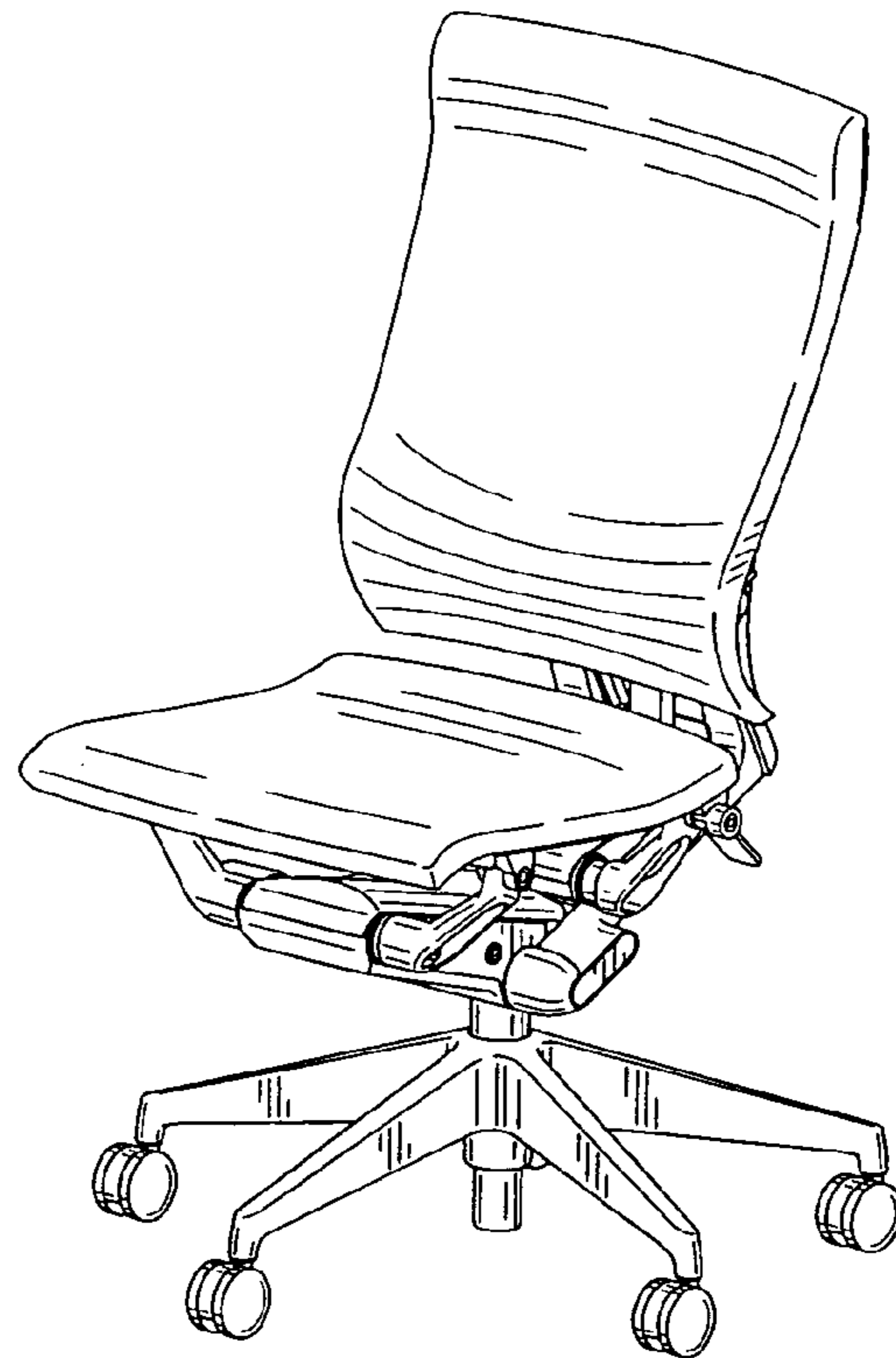


FIG. 1

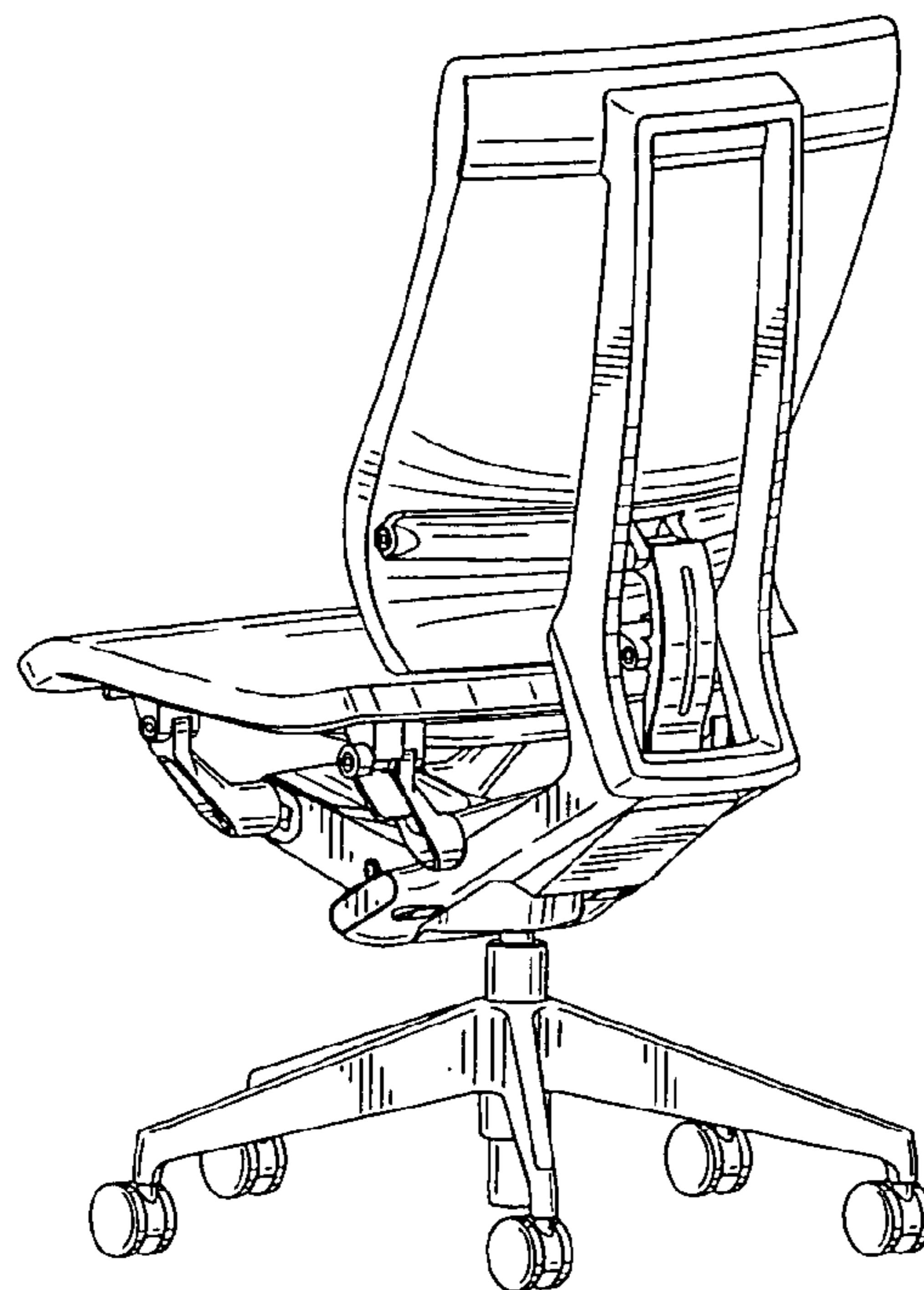


FIG. 2

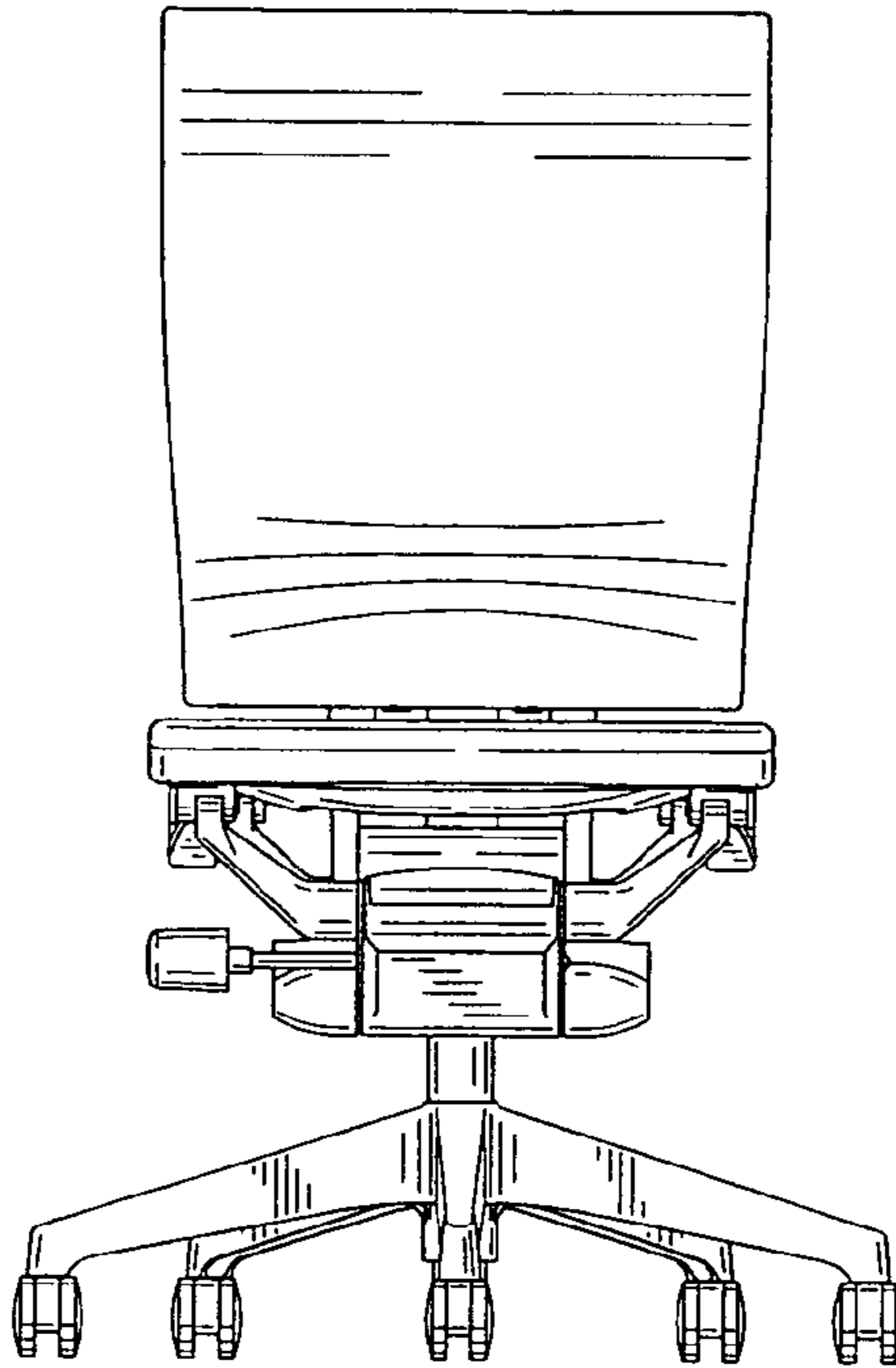


FIG. 3

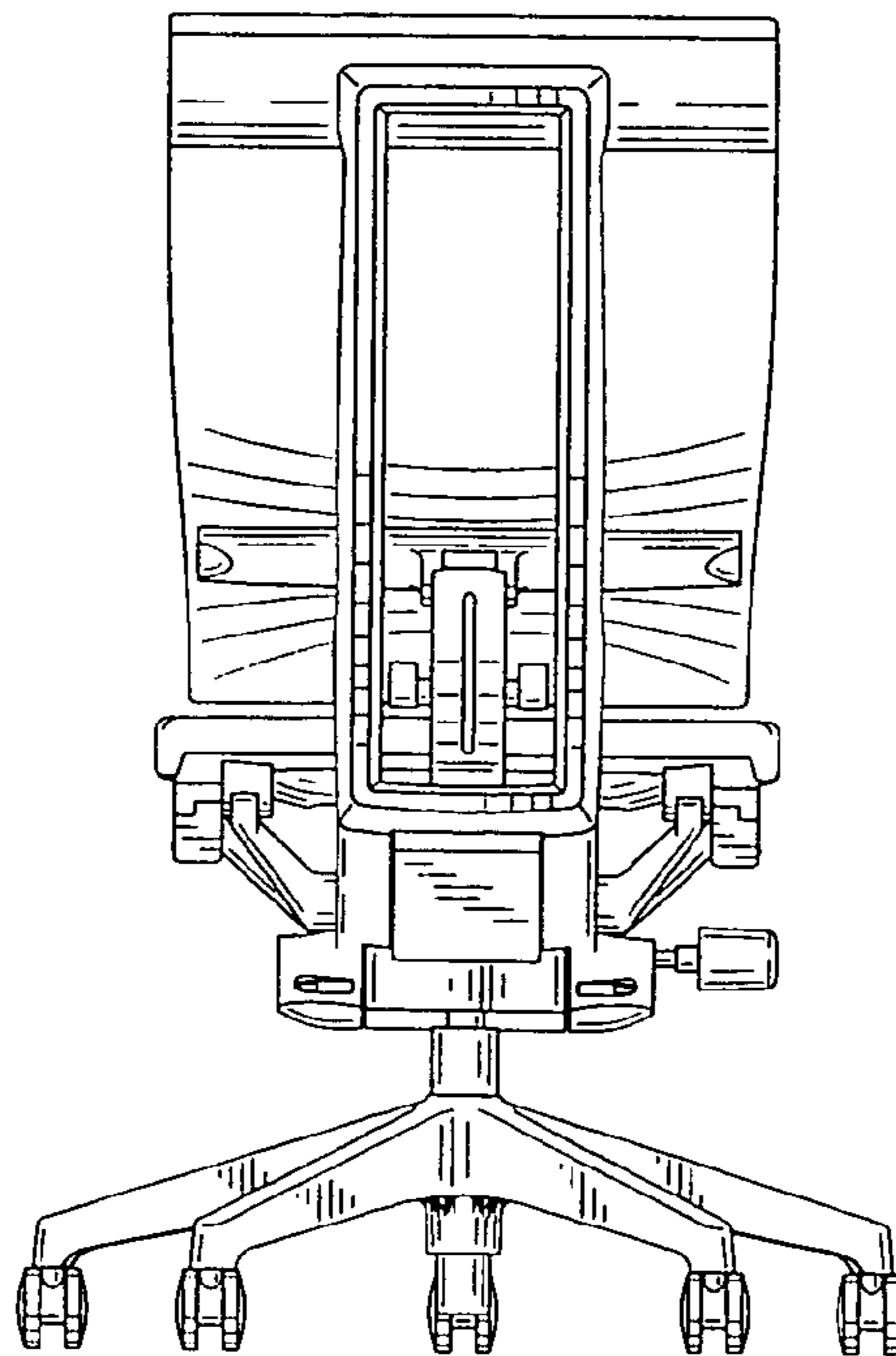


FIG. 4

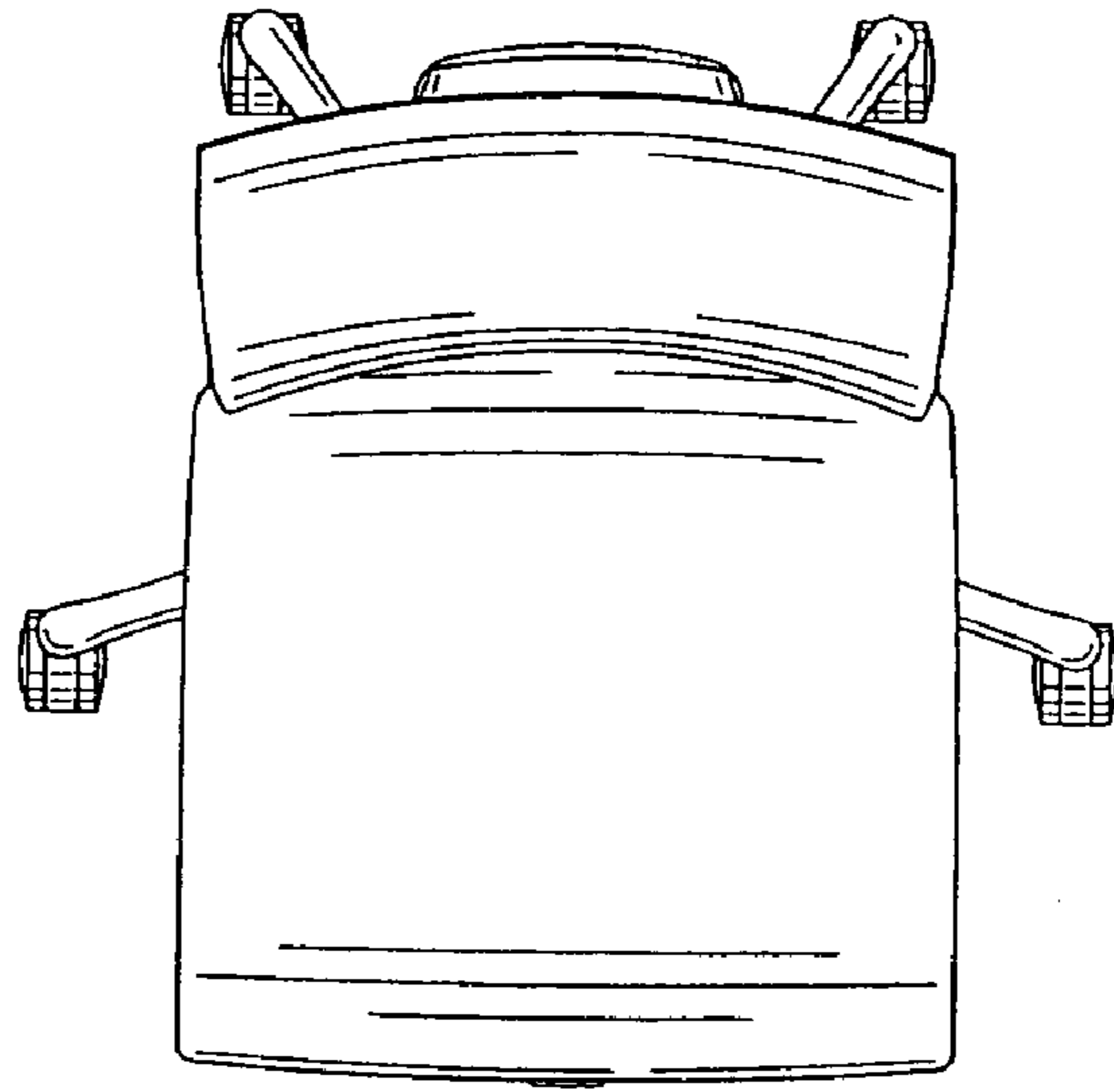


FIG. 5

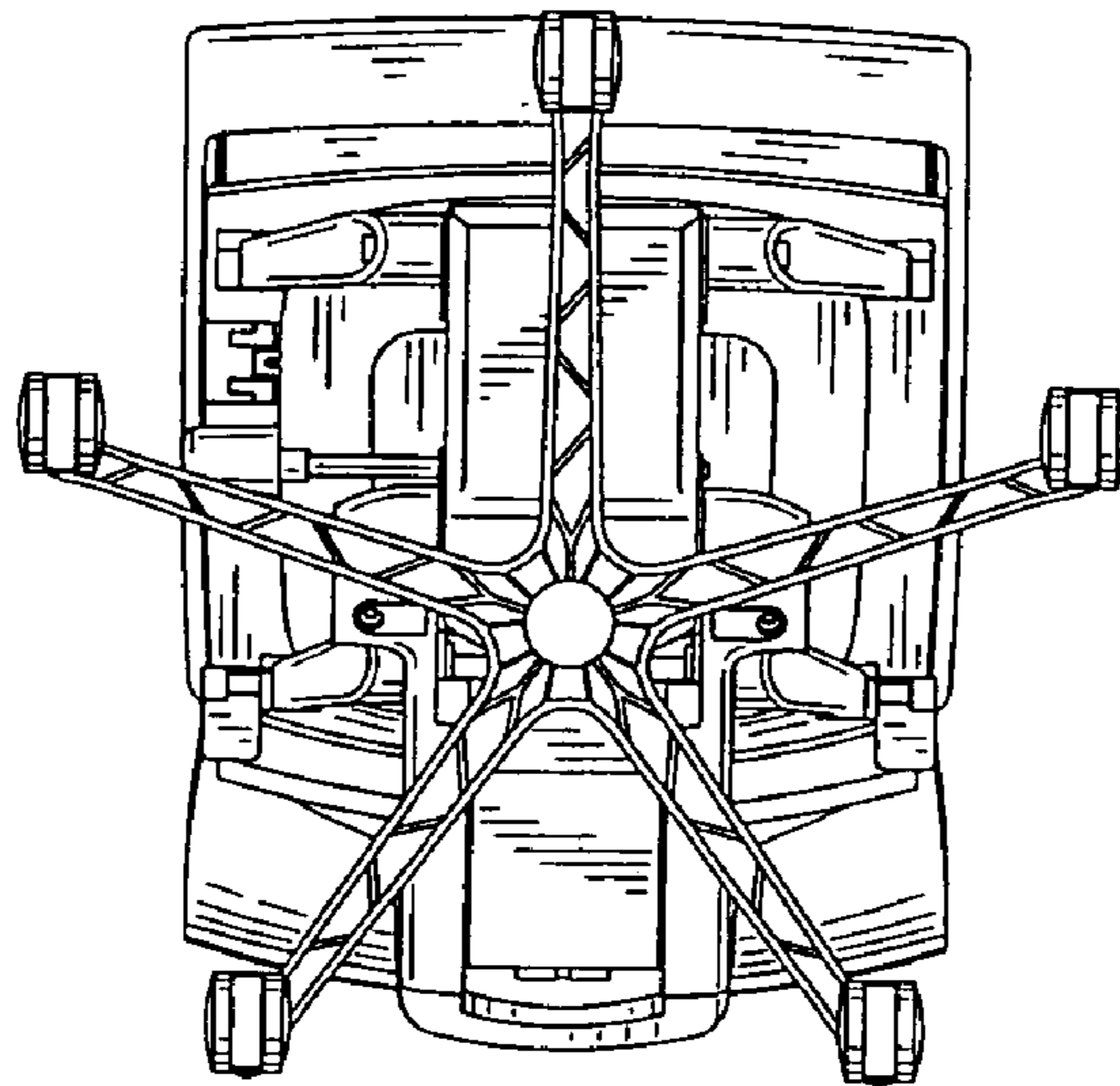


FIG. 6

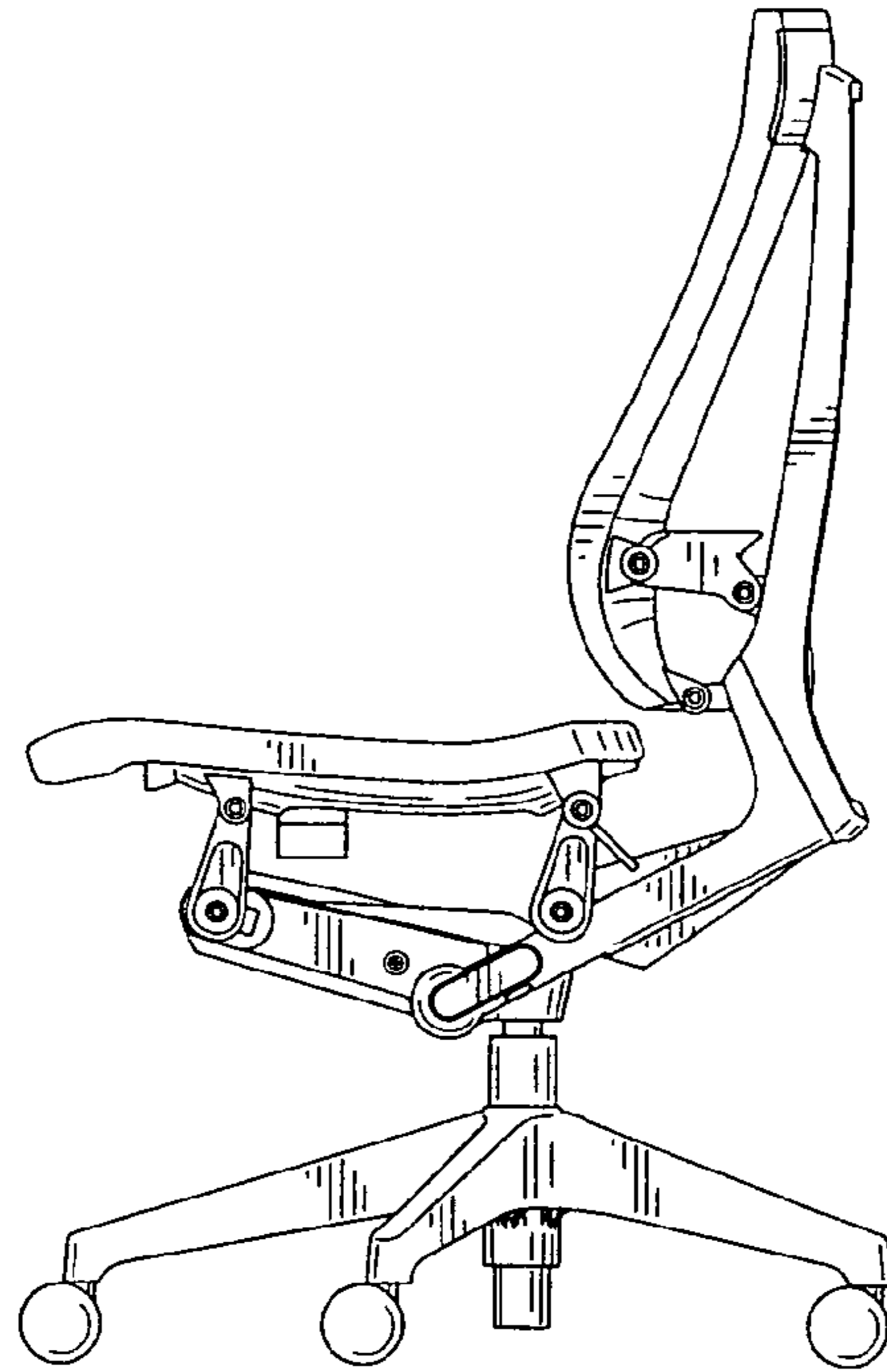


FIG. 7

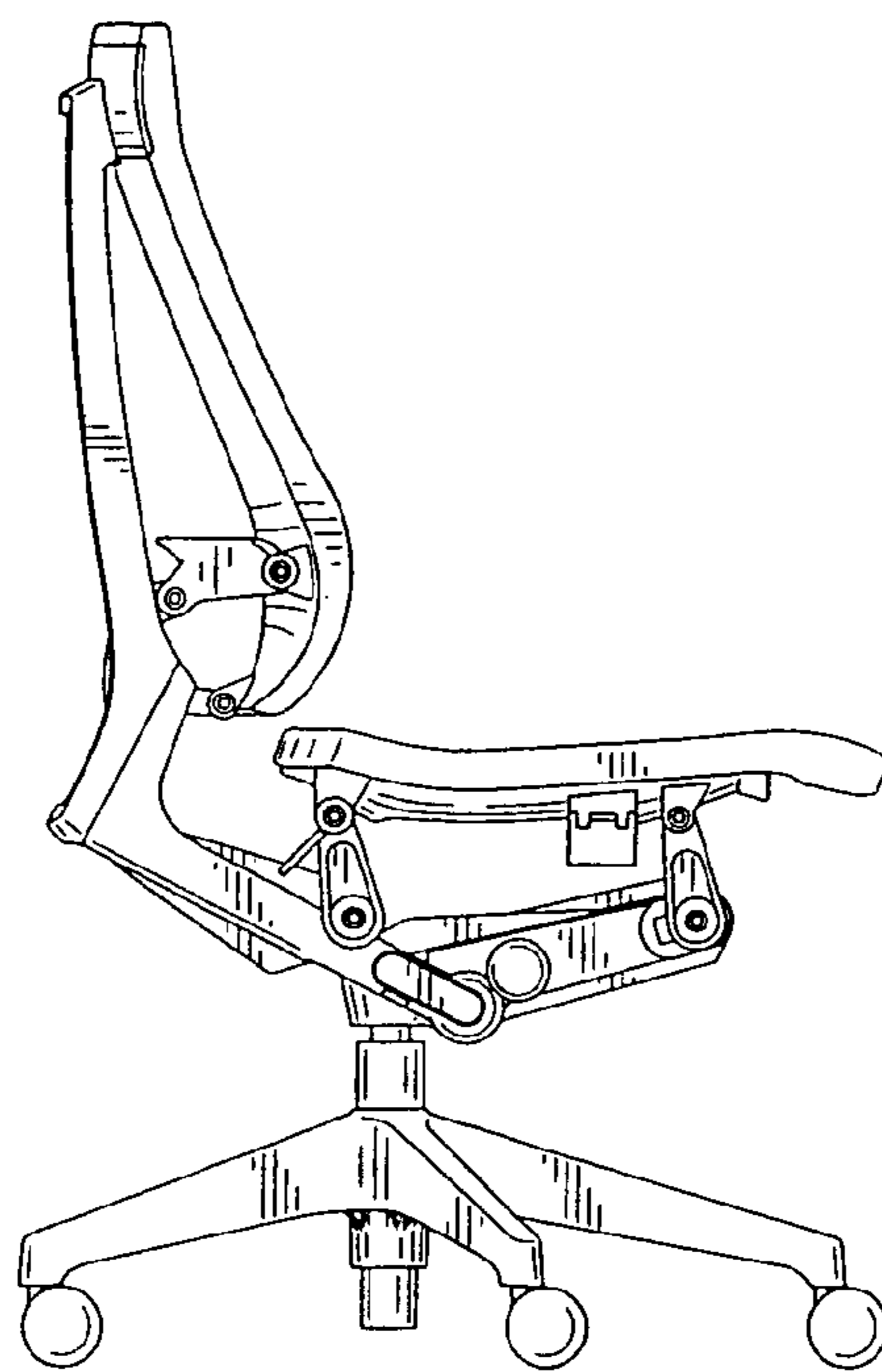


FIG. 8

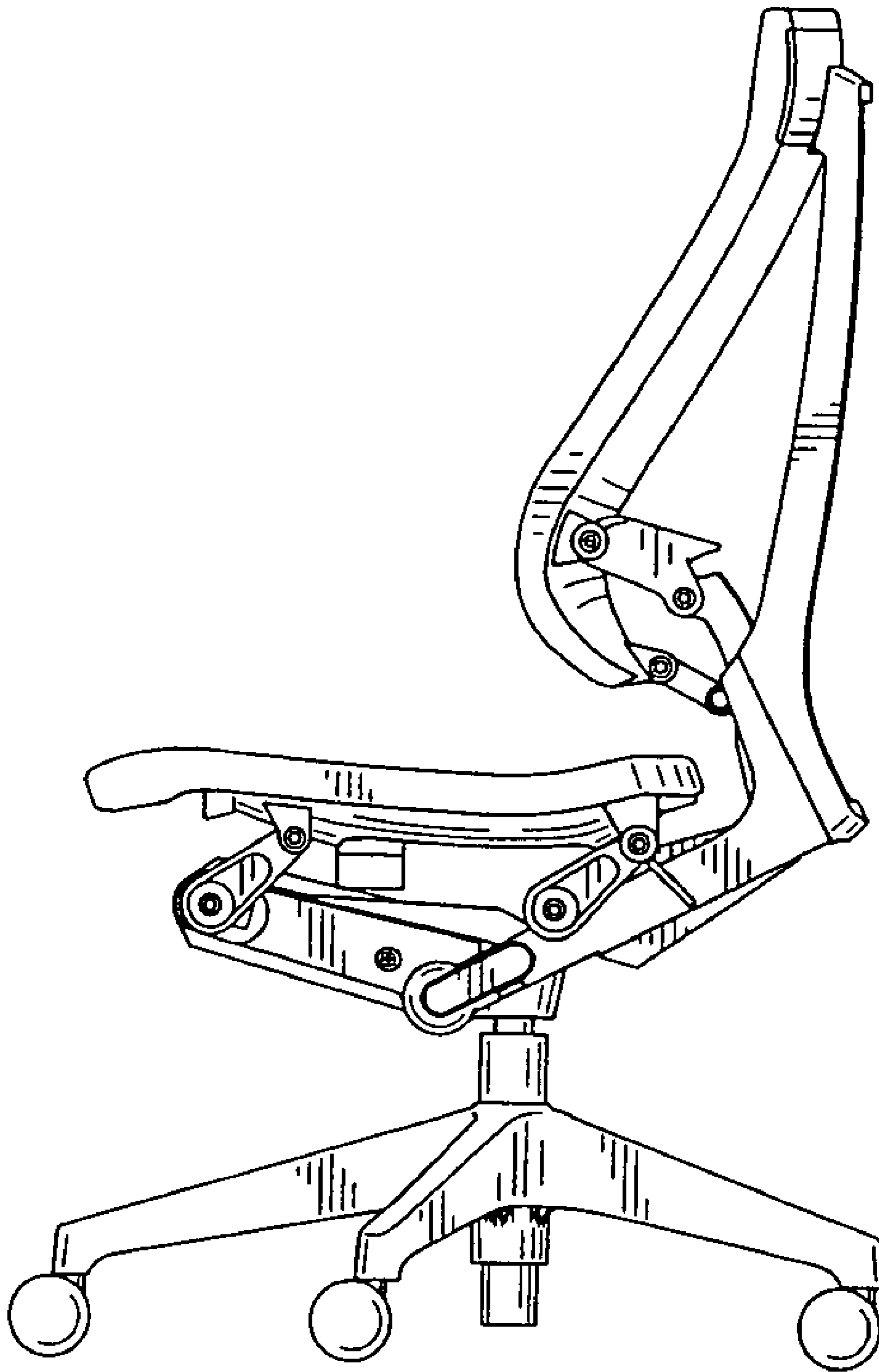


FIG. 9