



US00D557915S

(12) **United States Design Patent**  
**Ong**

(10) **Patent No.:** **US D557,915 S**

(45) **Date of Patent:** **\*\* Dec. 25, 2007**

(54) **CHAIR**

(75) Inventor: **Hooi Lim Ong**, Selangor Darul Ehsan (MY)

(73) Assignee: **Merryfair Chair System SDN. BHD.**, Selangor Darul Ehsan (MY)

(\*\*) Term: **14 Years**

(21) Appl. No.: **29/213,177**

(22) Filed: **Sep. 15, 2004**

(51) **LOC (8) Cl.** ..... **06-01**

(52) **U.S. Cl.** ..... **D6/366**

(58) **Field of Classification Search** ..... D6/366,  
D6/334-336, 364-367, 379, 498, 500-502;  
297/284.4, 411.27, 411.28, 411.36, 452.21,  
297/452.29

See application file for complete search history.

(56) **References Cited**

**U.S. PATENT DOCUMENTS**

D410,799 S *	6/1999	Meda	.....	D6/366
D423,259 S *	4/2000	Grove	.....	D6/500
D437,497 S *	2/2001	Brauning	.....	D6/366
D437,701 S *	2/2001	Bellini et al.	.....	D6/366
D446,033 S *	8/2001	Koepke et al.	.....	D6/366
D476,821 S *	7/2003	Koepke et al.	.....	D6/366

D481,548 S *	11/2003	Piretti	.....	D6/366
6,729,691 B2 *	5/2004	Koepke et al.	.....	297/452.56
D496,170 S *	9/2004	Gamberini	.....	D6/366
D509,968 S *	9/2005	Zimmermann et al.	.....	D6/366
2002/0190564 A1 *	12/2002	Coffield et al.	.....	297/452.56
2004/0245840 A1 *	12/2004	Tubergen et al.	.....	297/452.63

\* cited by examiner

*Primary Examiner*—Robert M. Spear

*Assistant Examiner*—Katrina A Kile

(74) *Attorney, Agent, or Firm*—Bacon & Thomas, PLLC

(57) **CLAIM**

The ornamental design for a chair, as shown and described.

**DESCRIPTION**

FIG. 1 is an upper right perspective view of my design for a chair;

FIG. 2 is a plan view thereof;

FIG. 3 is a right side view thereof;

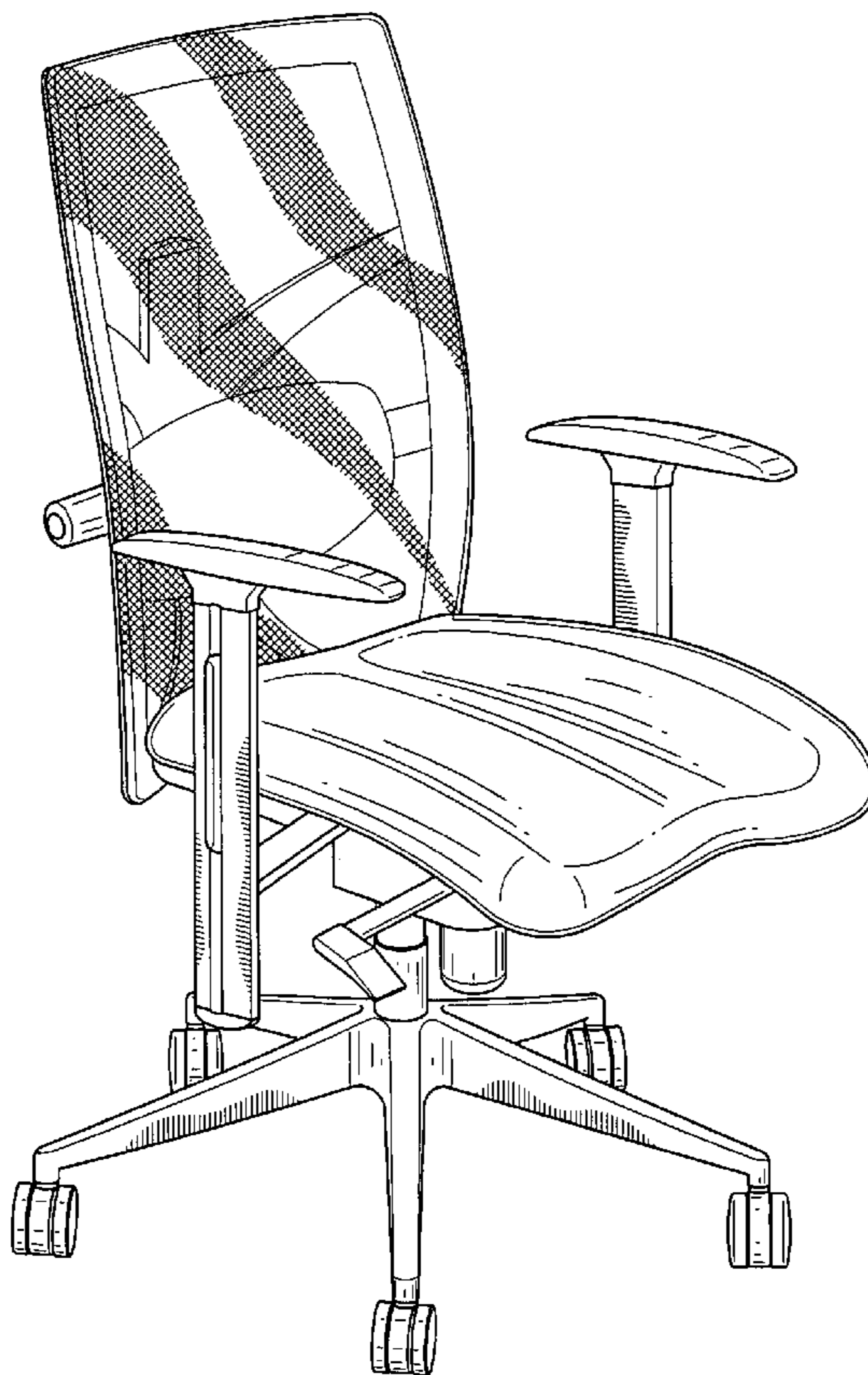
FIG. 4 is a front view thereof;

FIG. 5 is a left side view thereof;

FIG. 6 is a rear view thereof; and,

FIG. 7 is a bottom view thereof.

**1 Claim, 4 Drawing Sheets**



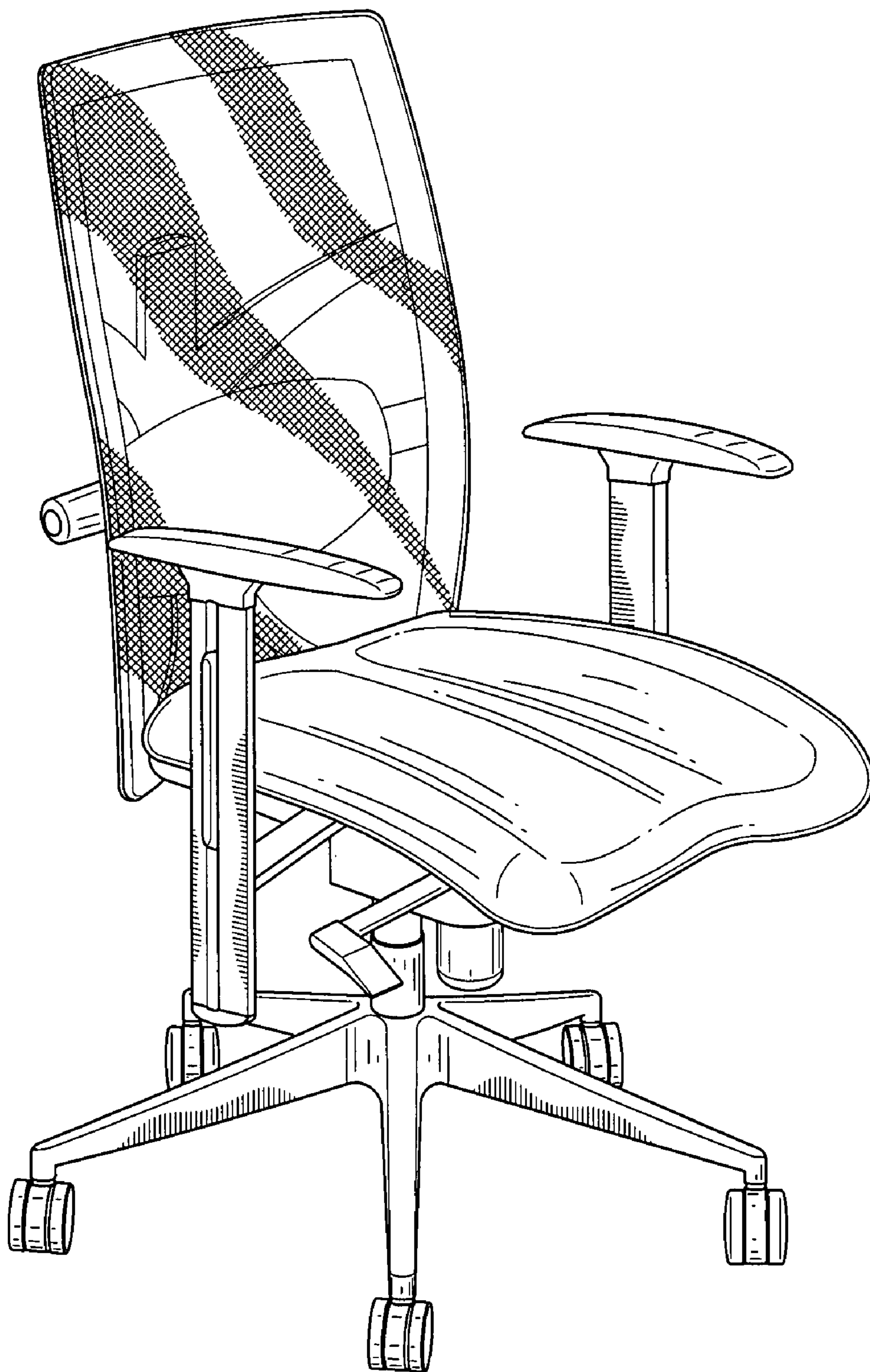


FIG. 1

FIG. 2

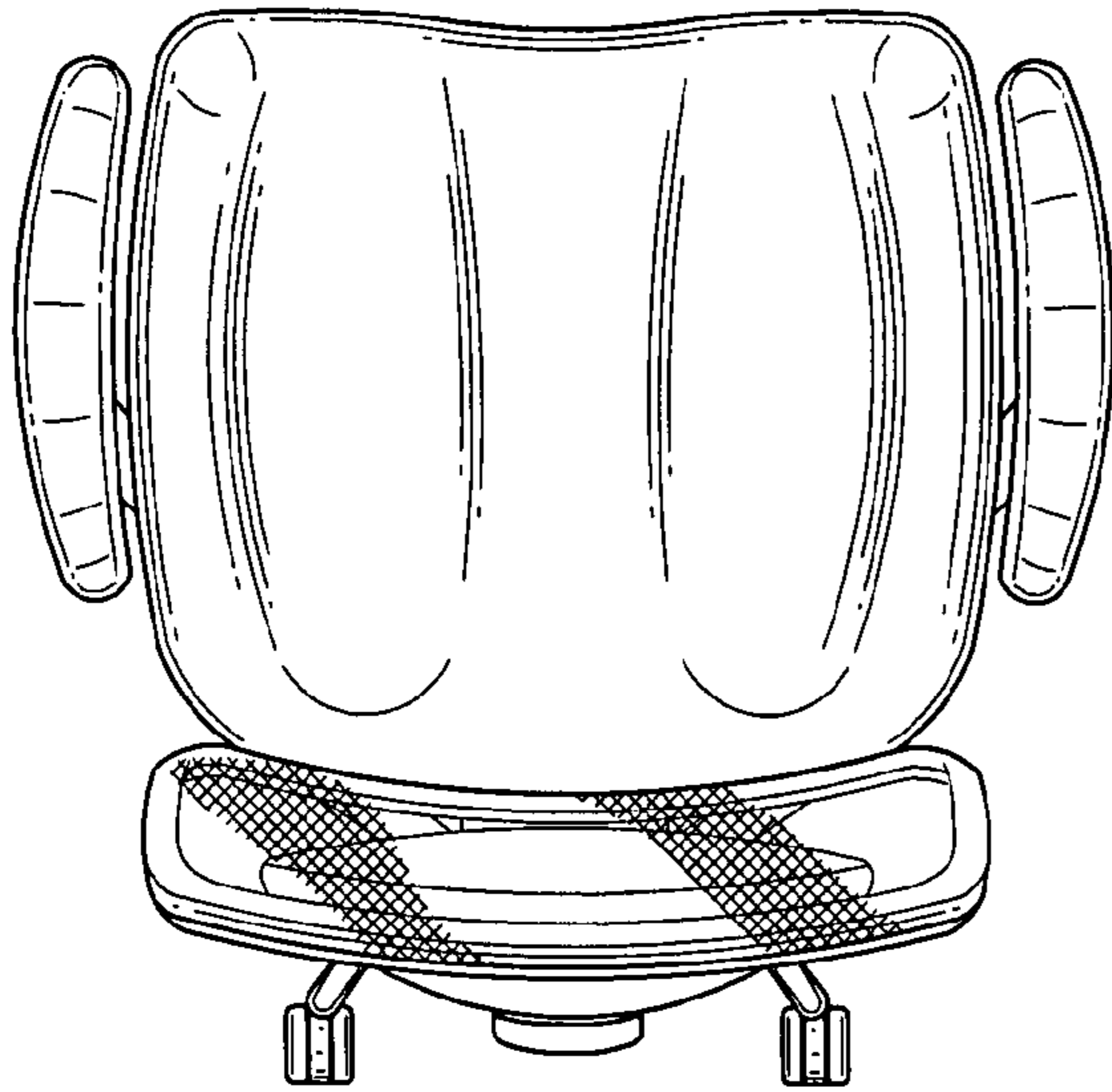


FIG. 7

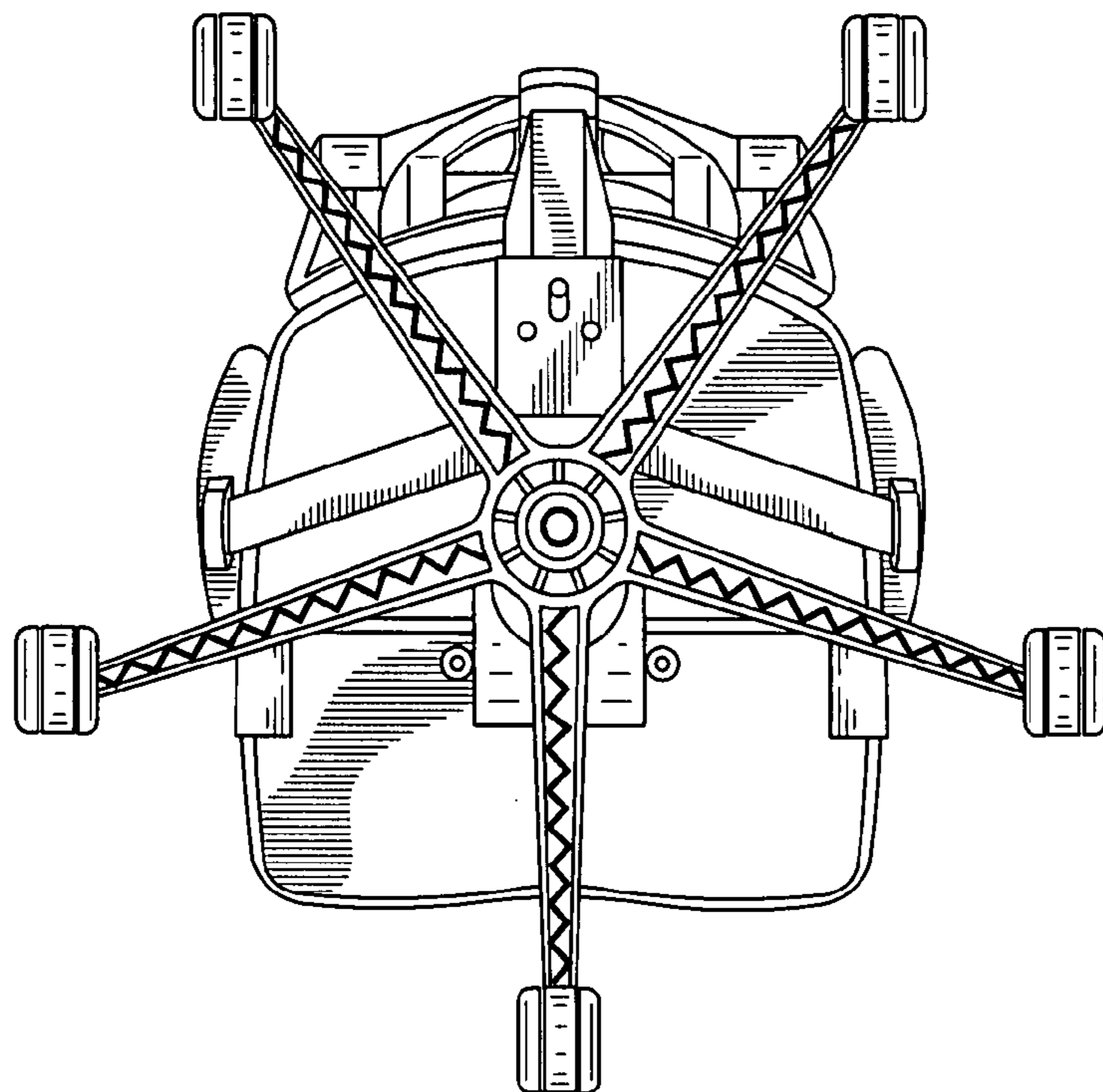


FIG. 3

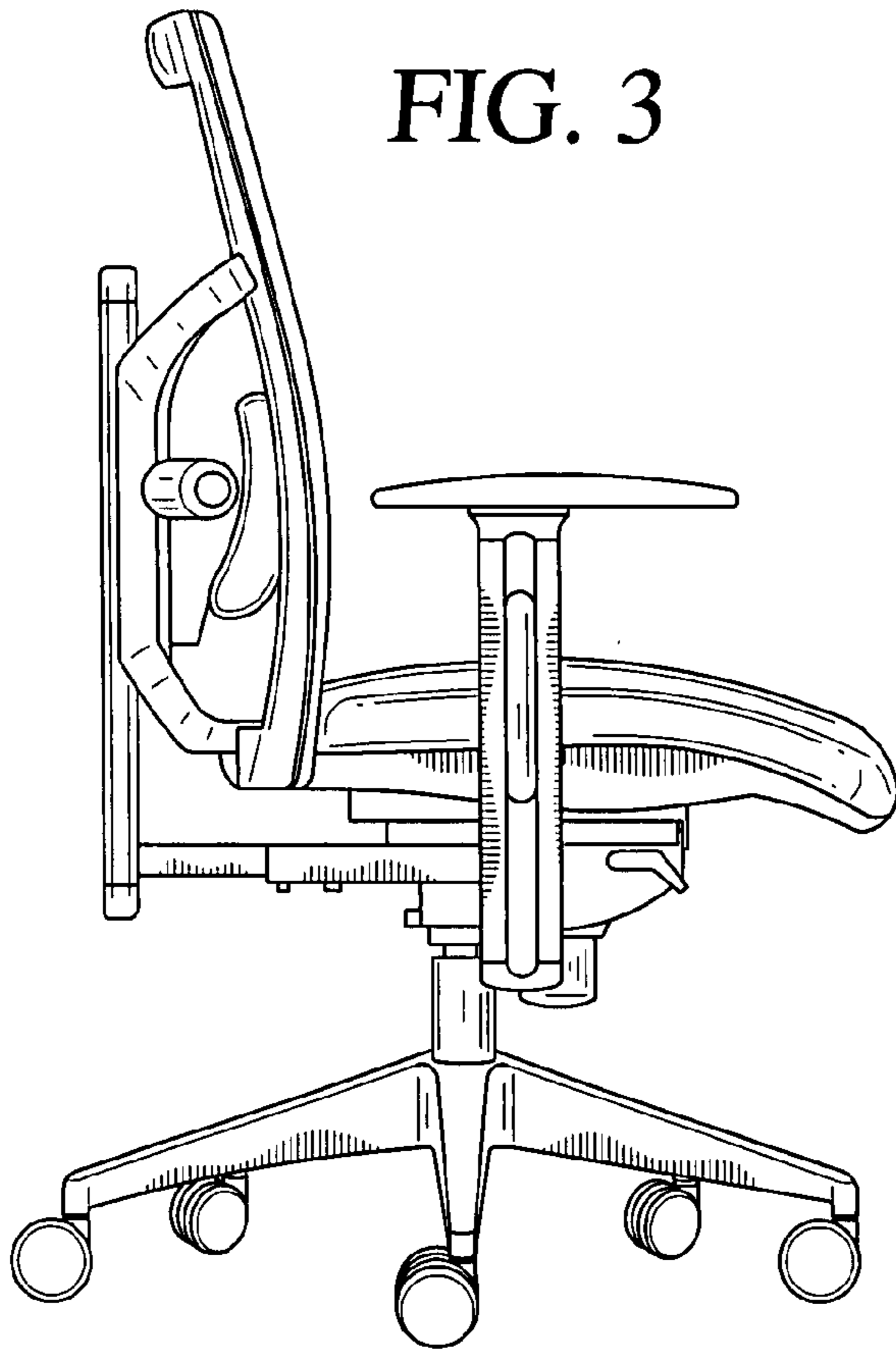


FIG. 4

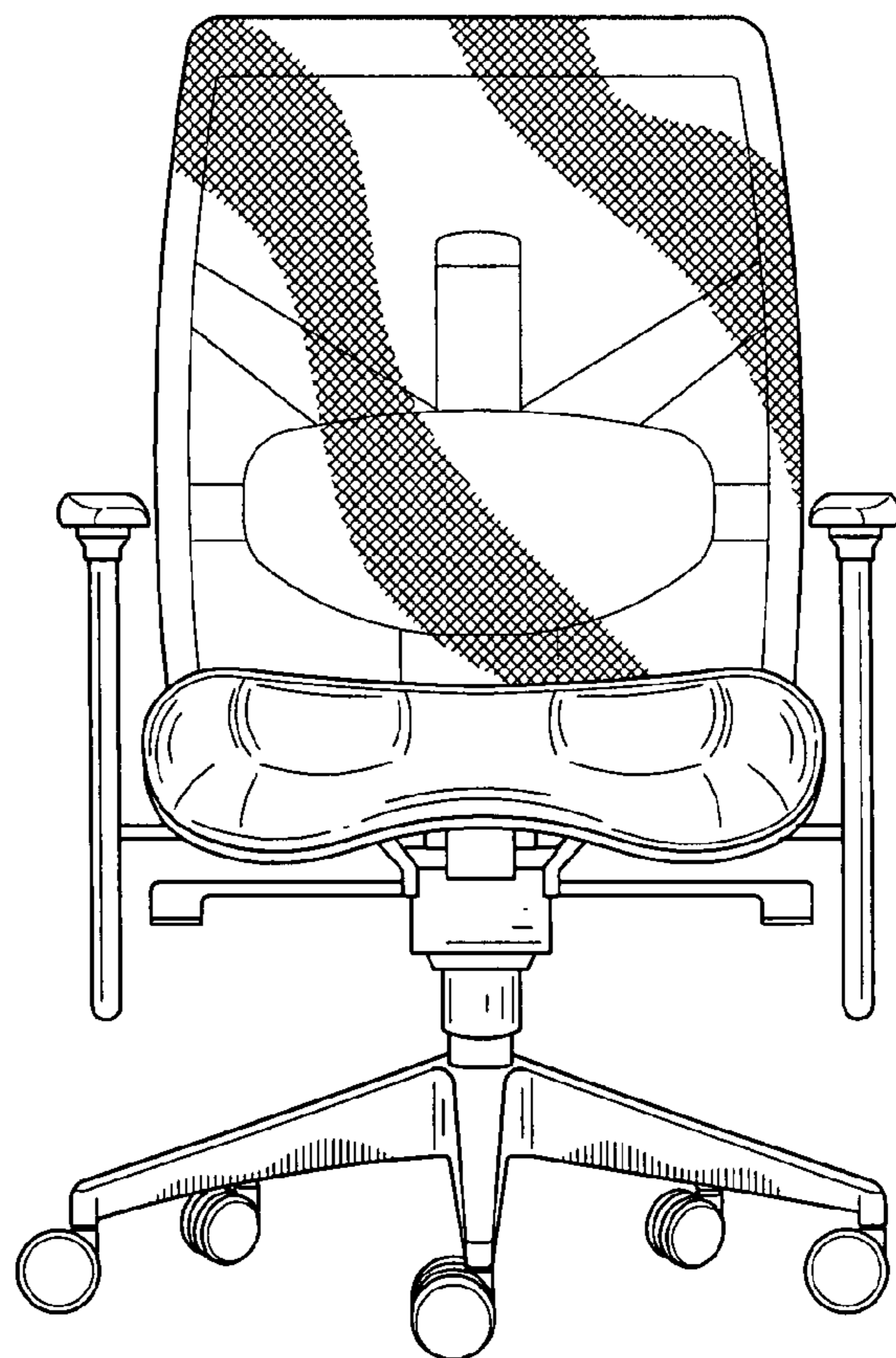


FIG. 5

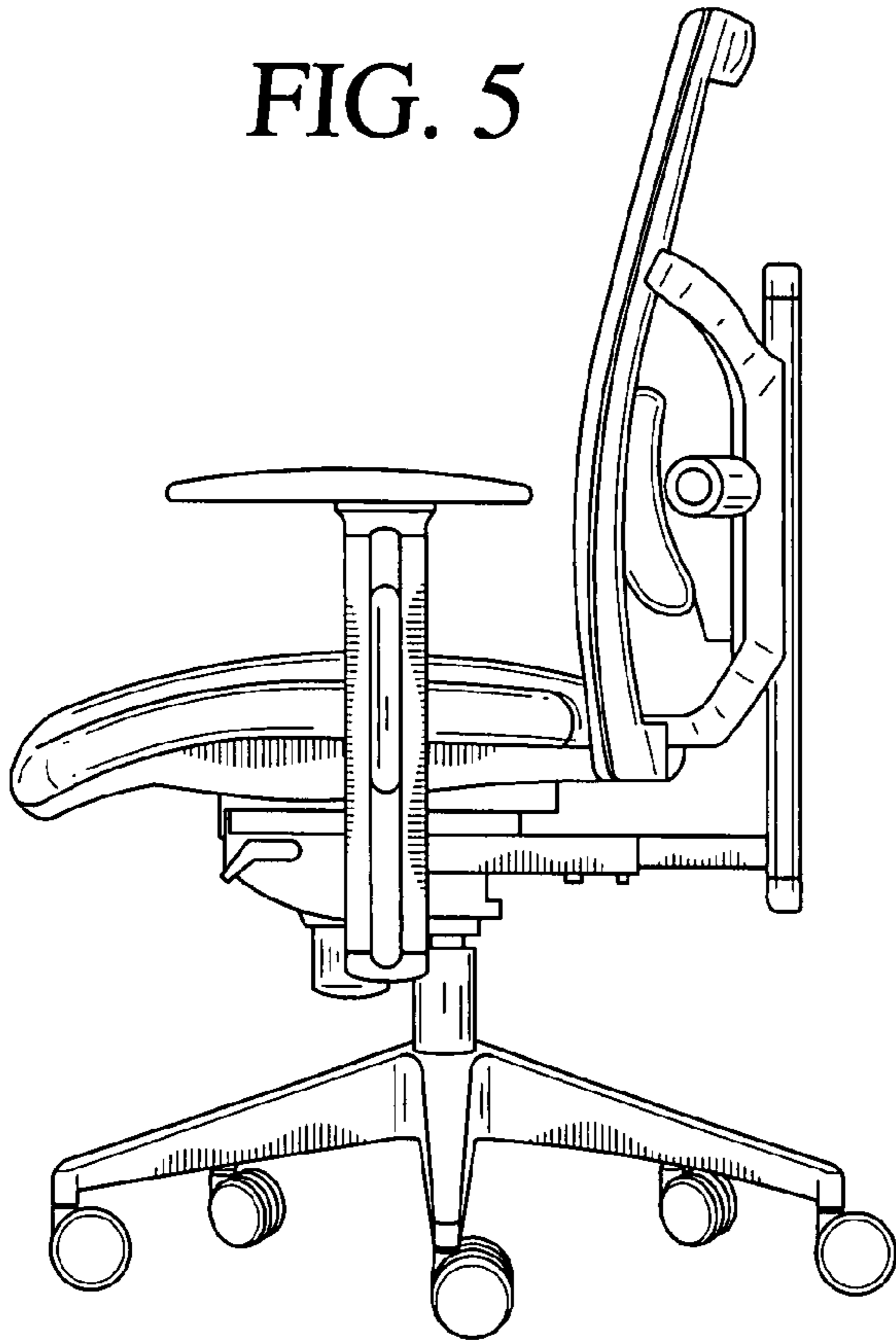


FIG. 6

