



US00D557914S

(12) **United States Design Patent**  
**Ong**

(10) **Patent No.:** **US D557,914 S**

(45) **Date of Patent:** **\*\* Dec. 25, 2007**

(54) **CHAIR**

(75) Inventor: **Hooi Lim Ong**, Selangor Darul Ehsan (MY)

(73) Assignee: **Merryfair Chair System Sdn. Bhd.**, Selangor Darul Ehsan (MY)

(\*\*) Term: **14 Years**

(21) Appl. No.: **29/213,176**

(22) Filed: **Sep. 15, 2004**

(51) **LOC (8) Cl.** ..... **06-01**

(52) **U.S. Cl.** ..... **D6/366**

(58) **Field of Classification Search** ..... D6/366,  
D6/334-336, 364-367, 374, 375, 379, 380,  
D6/500-501, 502, 498; 297/391, 393, 411.27-28,  
297/452.21, 452.29

See application file for complete search history.

(56) **References Cited**

**U.S. PATENT DOCUMENTS**

4,840,428	A *	6/1989	Kobayashi et al.	.....	297/408
5,853,222	A *	12/1998	Roslund et al.	.....	297/353
D436,456	S *	1/2001	Neil	.....	D6/366
D449,457	S *	10/2001	Su	.....	D6/366
D451,293	S *	12/2001	Su	.....	D6/366
D460,869	S *	7/2002	Koepke et al.	.....	D6/366

D493,626	S *	8/2004	James	.....	D6/366
D514,832	S *	2/2006	Tsai	.....	D6/366
2003/0047982	A1 *	3/2003	Ball et al.	.....	297/452.29
2004/0046432	A1 *	3/2004	Ball et al.	.....	297/284.4
2004/0124689	A1 *	7/2004	Numa et al.	.....	297/452.56
2004/0245841	A1 *	12/2004	Peterson et al.	.....	297/452.63

\* cited by examiner

*Primary Examiner*—Robert M. Spear

*Assistant Examiner*—Katrina A Kile

(74) *Attorney, Agent, or Firm*—Bacon & Thomas, PLLC

(57) **CLAIM**

The ornamental design for a chair, as shown and described.

**DESCRIPTION**

FIG. 1 is an upper left perspective view of my design for a chair;

FIG. 2 is a plan view thereof;

FIG. 3 is a front view thereof;

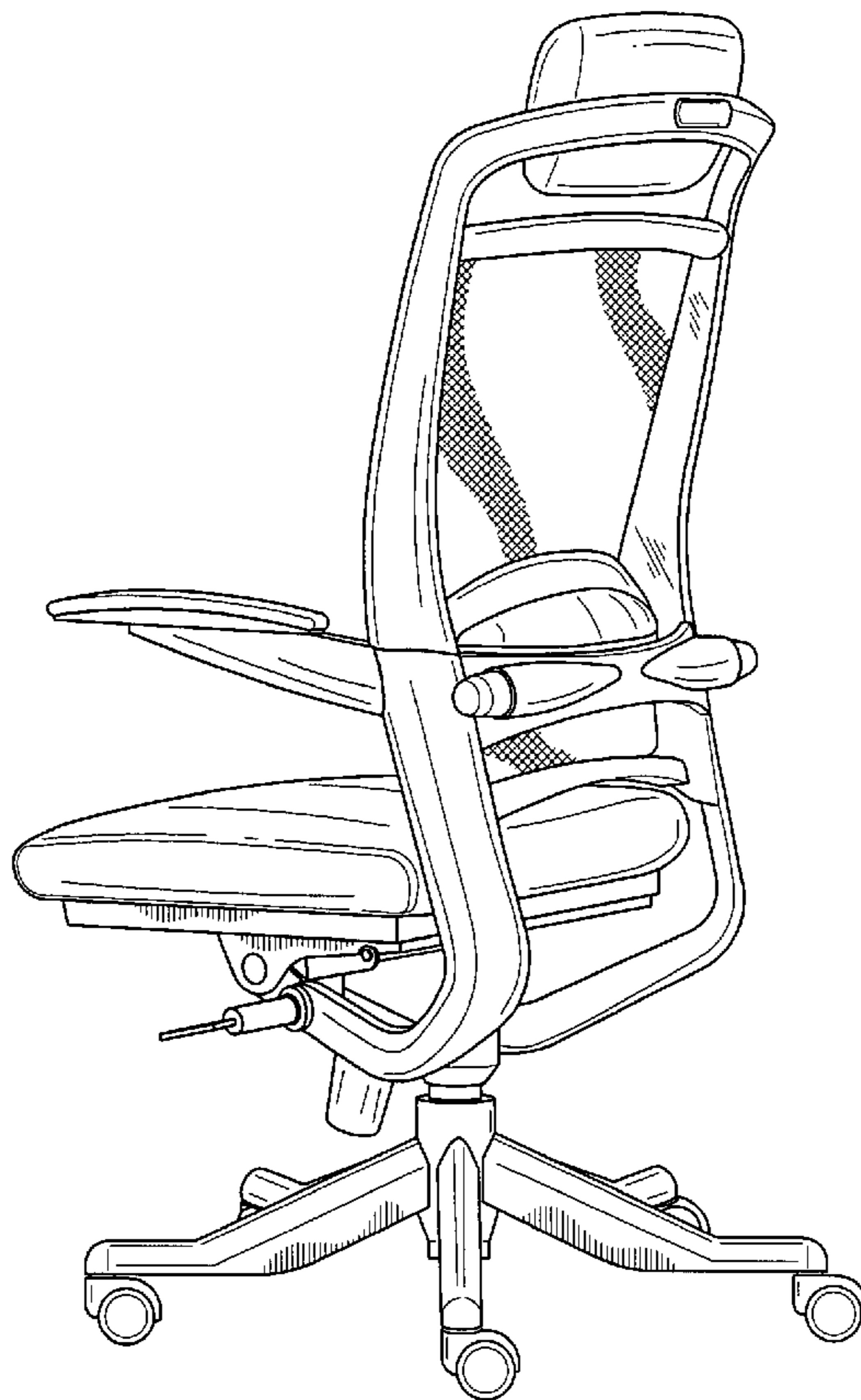
FIG. 4 is a left side view thereof;

FIG. 5 is a rear view thereof;

FIG. 6 is a right side view thereof; and,

FIG. 7 is a bottom view thereof.

**1 Claim, 4 Drawing Sheets**



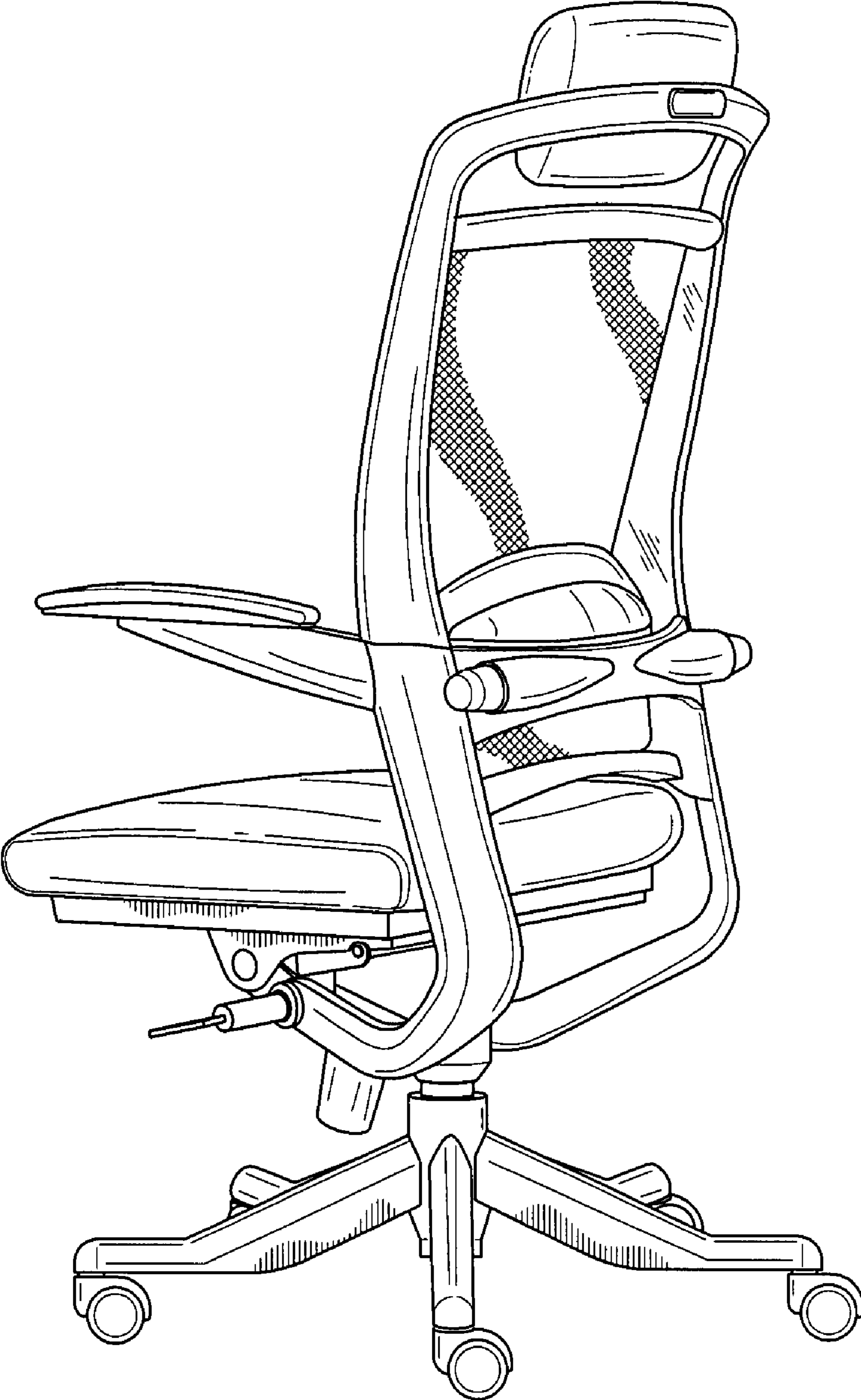
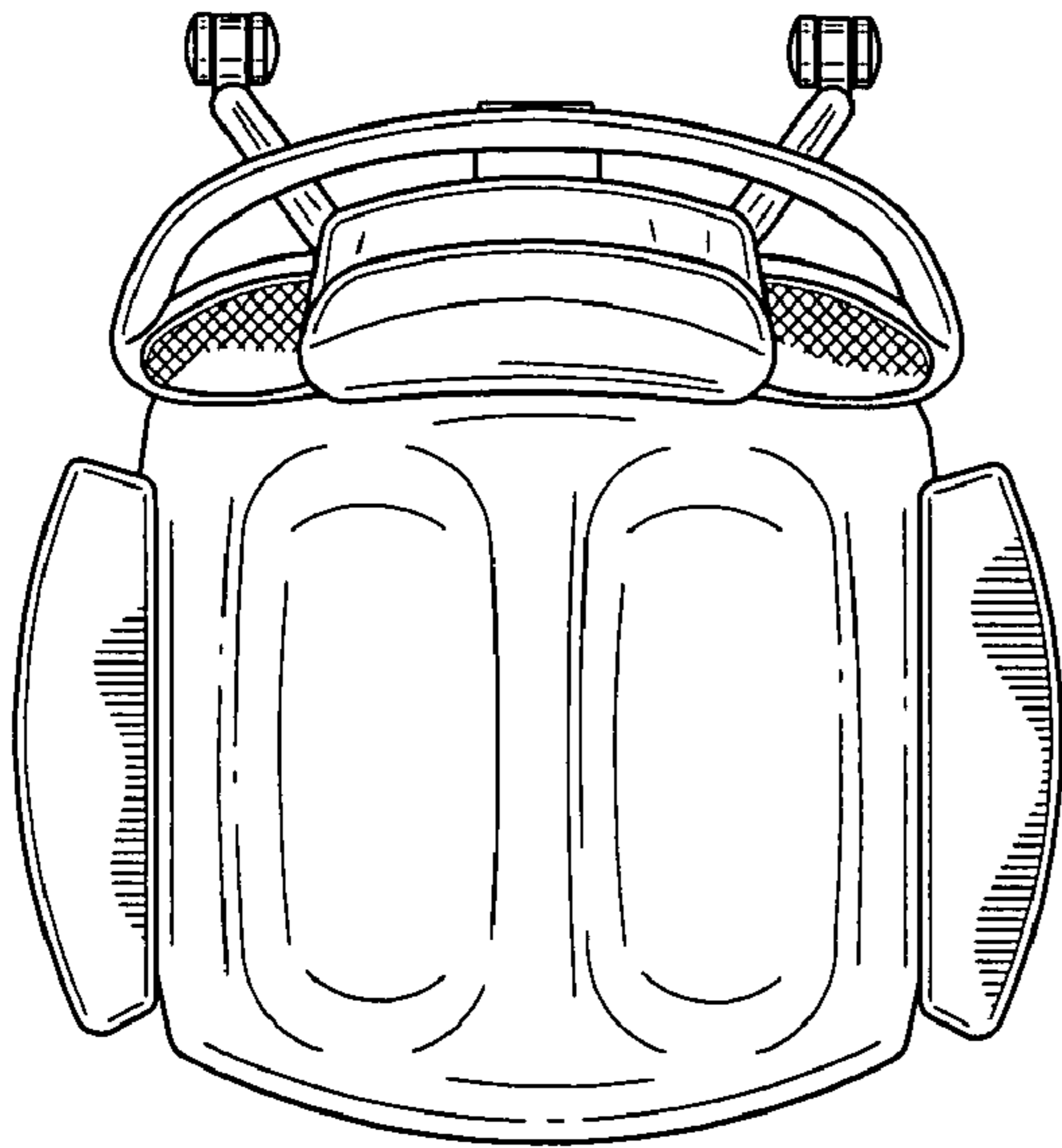
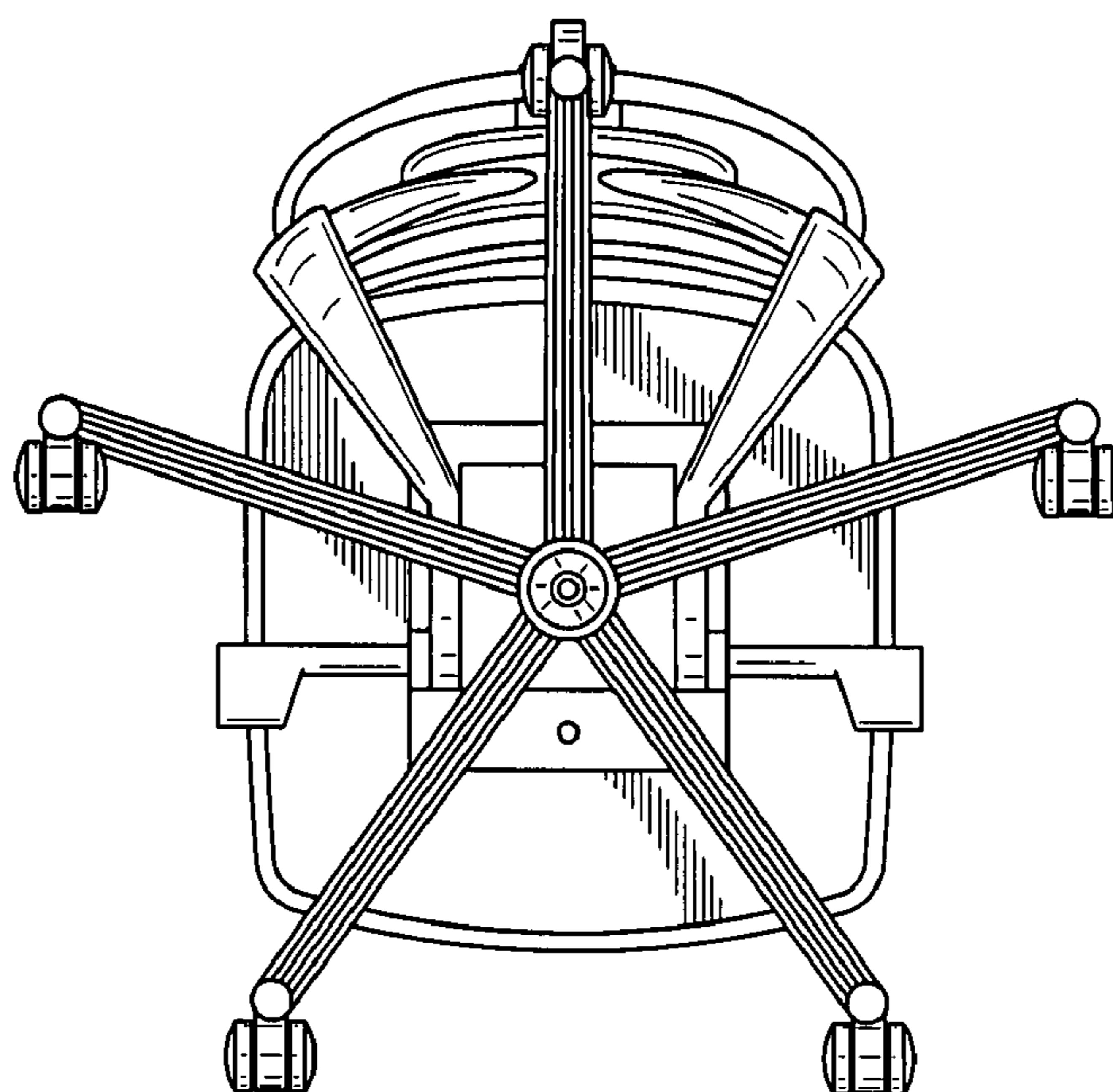


FIG. 1

**FIG. 2**



**FIG. 7**



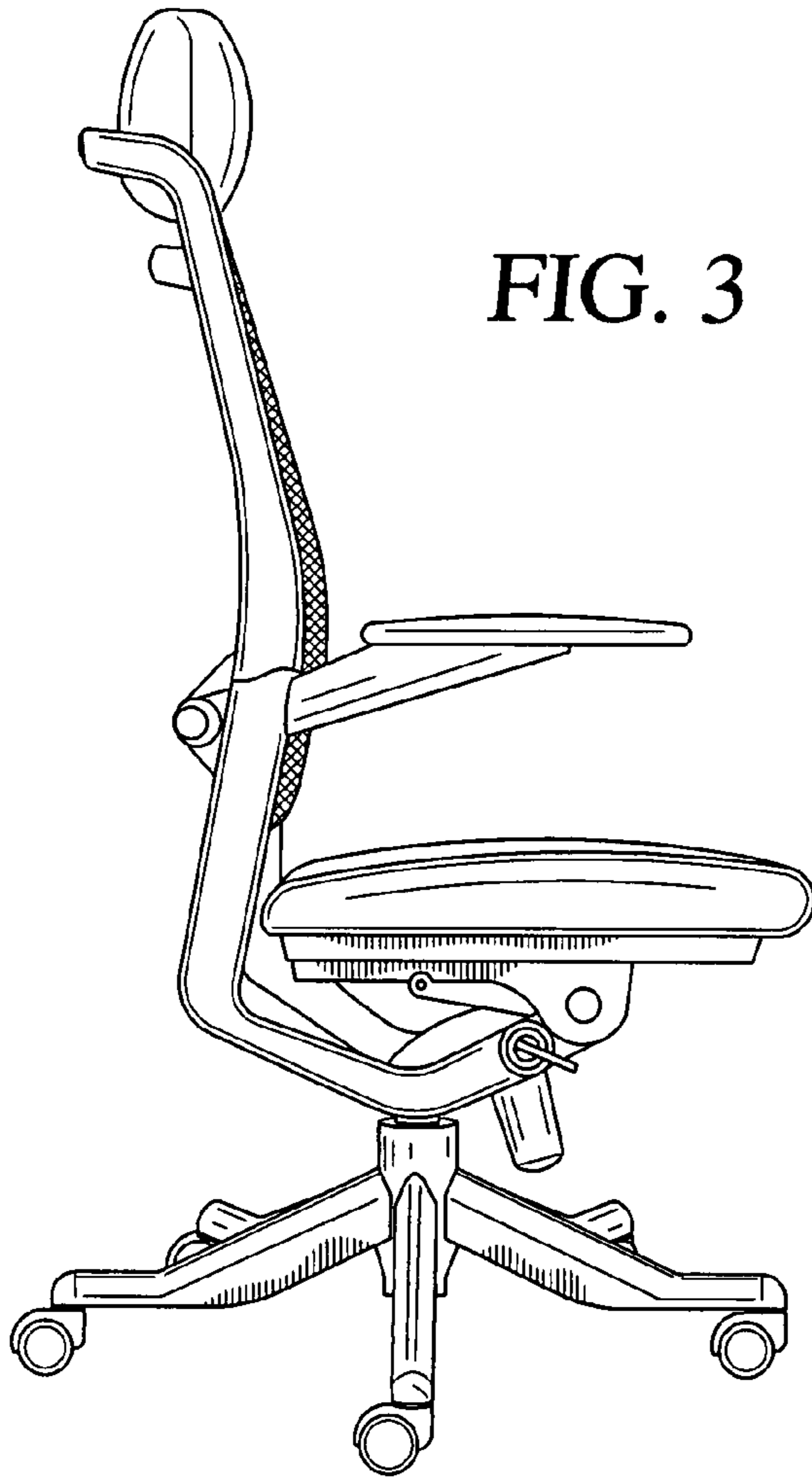


FIG. 3

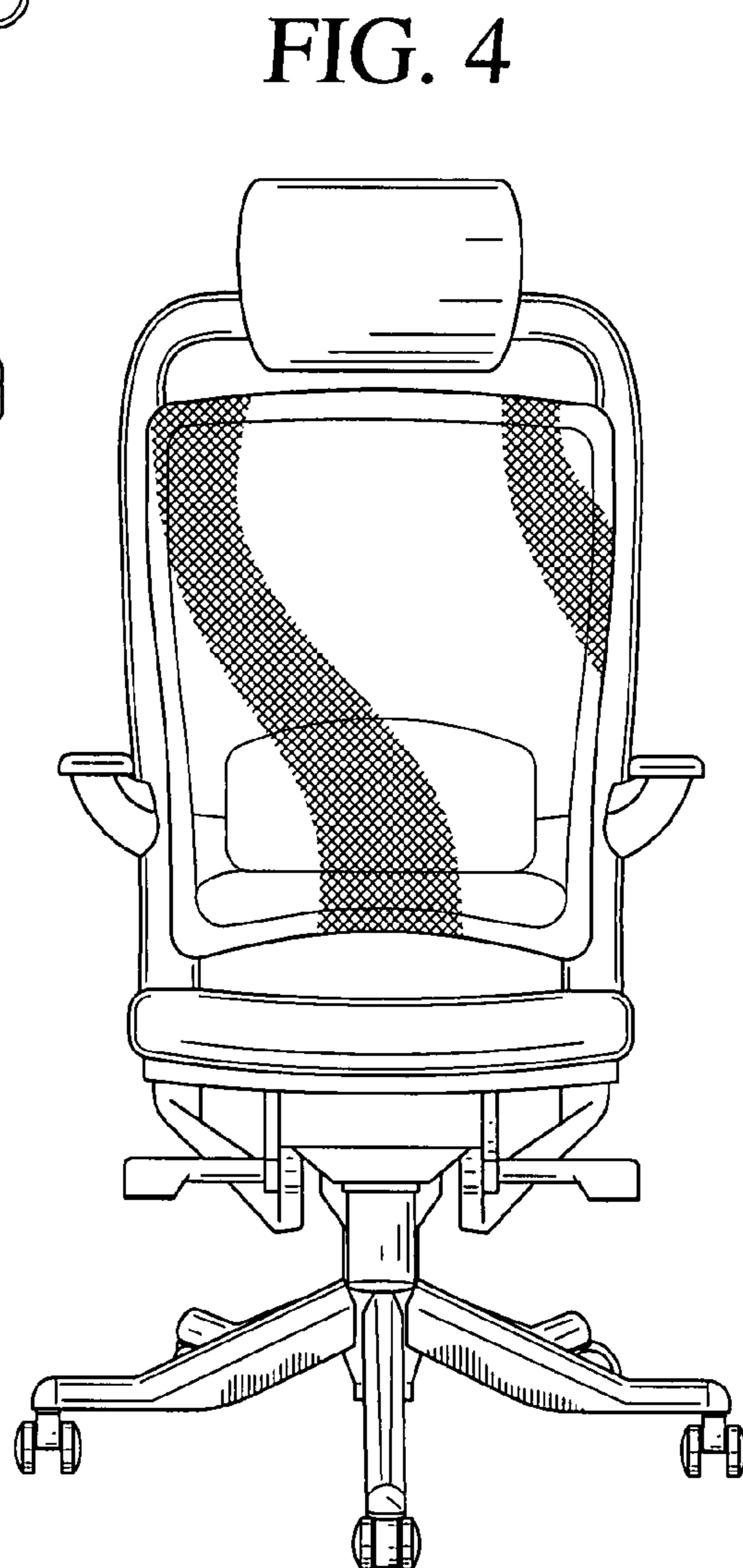


FIG. 4

FIG. 5

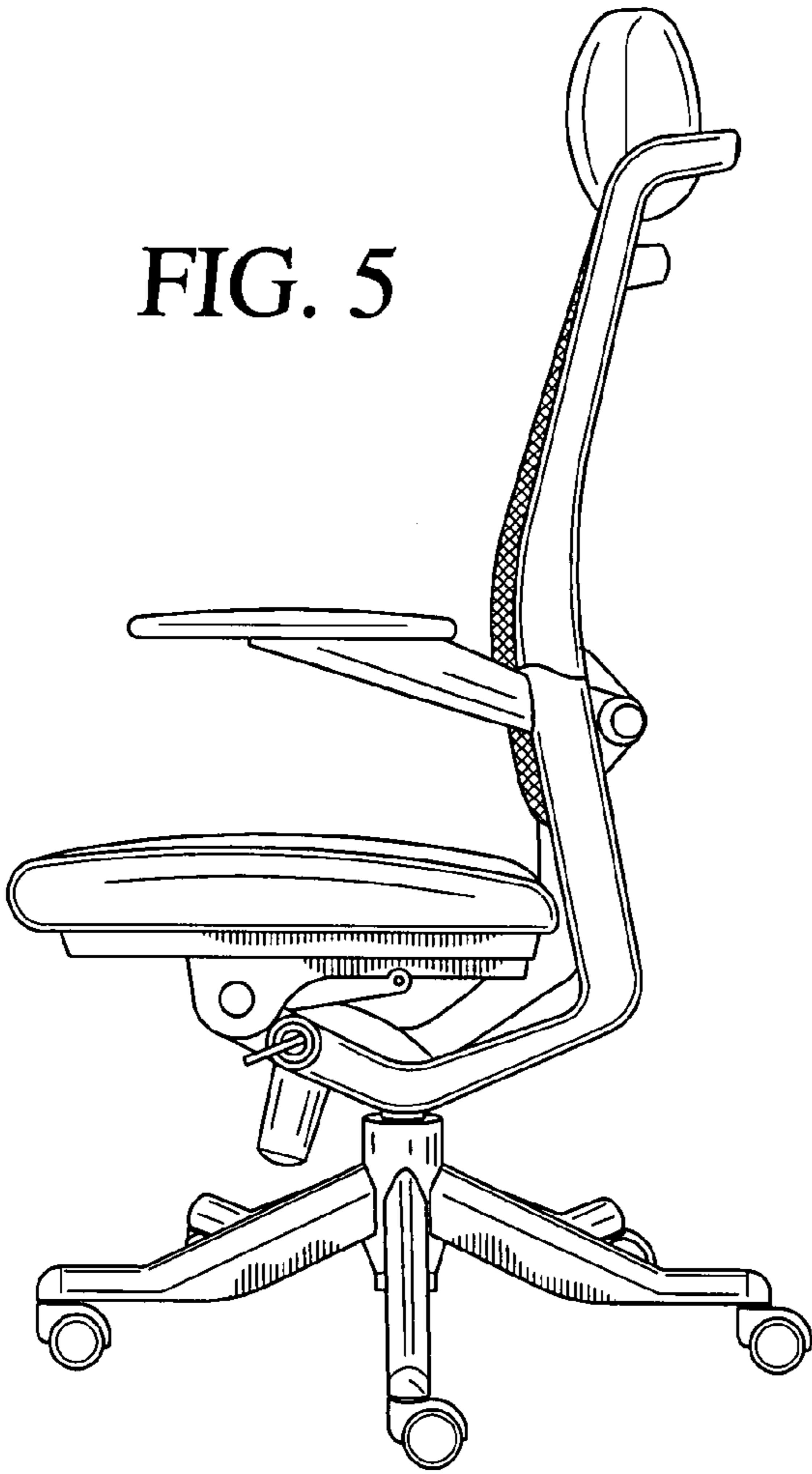


FIG. 6

