



US00D557913S

(12) **United States Design Patent**
Ong

(10) **Patent No.:** **US D557,913 S**

(45) **Date of Patent:** **** Dec. 25, 2007**

(54) **CHAIR**

(75) Inventor: **Hooi Lim Ong**, Selangor Darul Ehsan (MY)

(73) Assignee: **Merryfair Chair System SDN. BHD.**, Selangor Darul Ehsan (MY)

(**) Term: **14 Years**

(21) Appl. No.: **29/213,175**

(22) Filed: **Sep. 15, 2004**

(51) **LOC (8) Cl.** **06-01**

(52) **U.S. Cl.** **D6/366**

(58) **Field of Classification Search** D6/334-336, D6/364-367, 379, 498, 500-502; 297/284.4, 297/411.27, 411.28, 411.36, 452.21, 452.29
See application file for complete search history.

(56) **References Cited**

U.S. PATENT DOCUMENTS

- D486,657 S * 2/2004 Su D6/366
- D487,359 S * 3/2004 Giugiaro D6/366
- D493,627 S * 8/2004 Ma D6/366
- 6,811,218 B2 * 11/2004 Deimen et al. 297/284.1

- D514,831 S * 2/2006 Tsai D6/366
- 2005/0275264 A1 * 12/2005 Norman et al. 297/284.4
- 2006/0097556 A1 * 5/2006 Jang 297/284.4

* cited by examiner

Primary Examiner—Robert M. Spear

Assistant Examiner—Katrina A Kile

(74) *Attorney, Agent, or Firm*—Bacon & Thomas, PLLC

(57) **CLAIM**

The ornamental design for a chair, as shown and described.

DESCRIPTION

FIG. 1 is an upper right perspective view of my design for a chair;

FIG. 2 is a plan view thereof;

FIG. 3 is a right side view thereof;

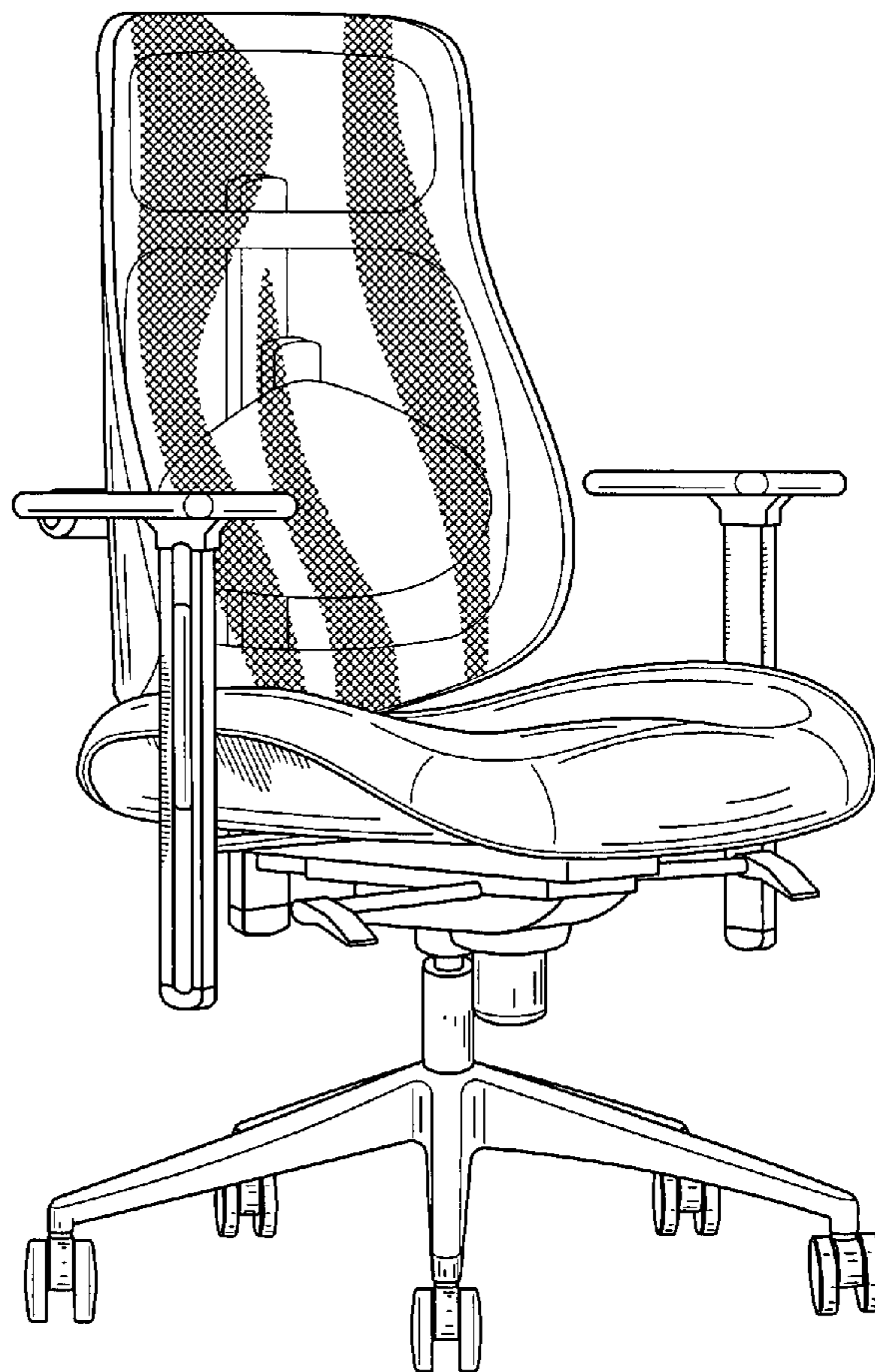
FIG. 4 is a front view thereof;

FIG. 5 is a left side view thereof;

FIG. 6 is a rear view thereof; and,

FIG. 7 is a bottom view thereof.

1 Claim, 4 Drawing Sheets



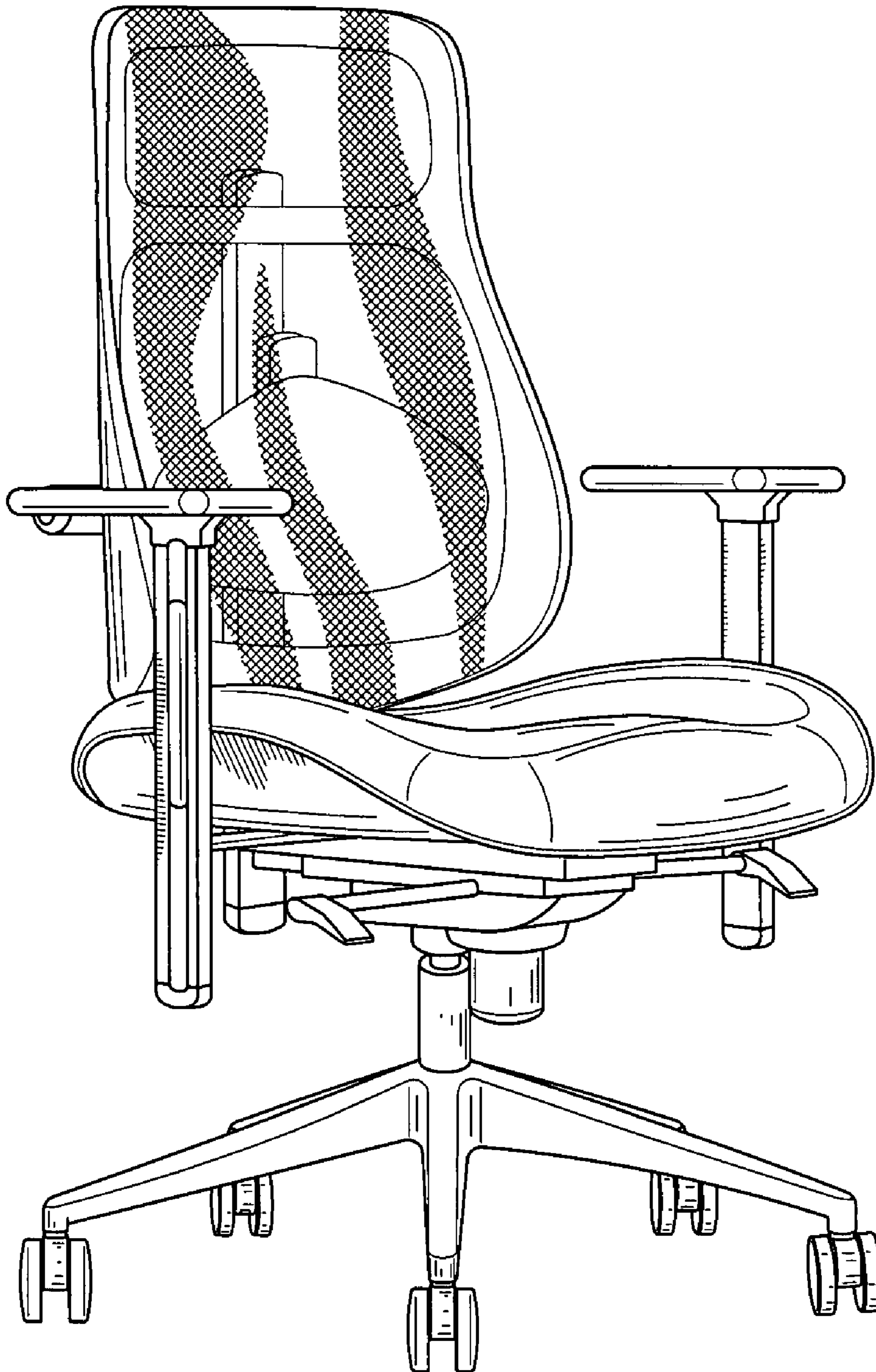


FIG. 1

FIG. 2

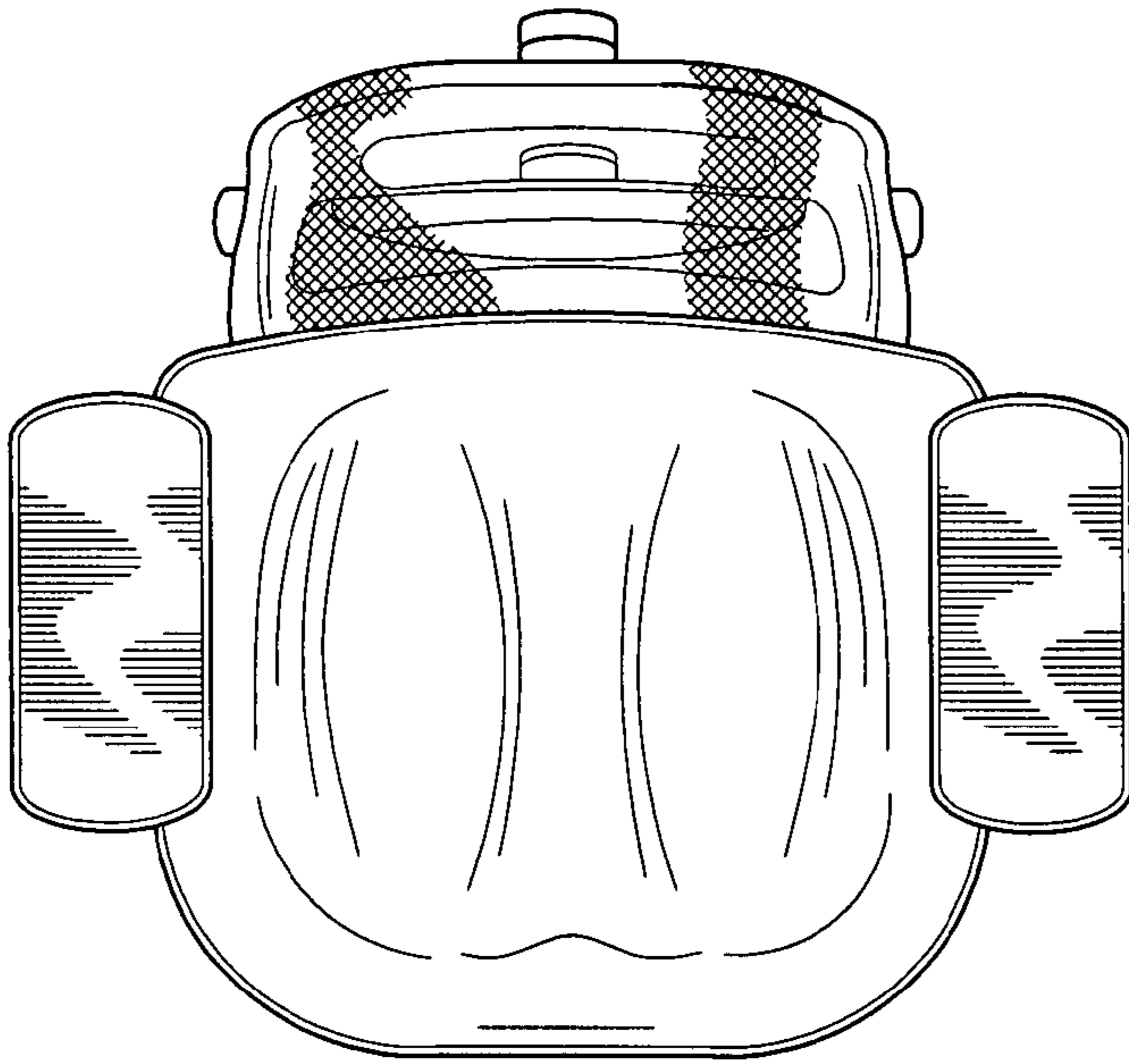
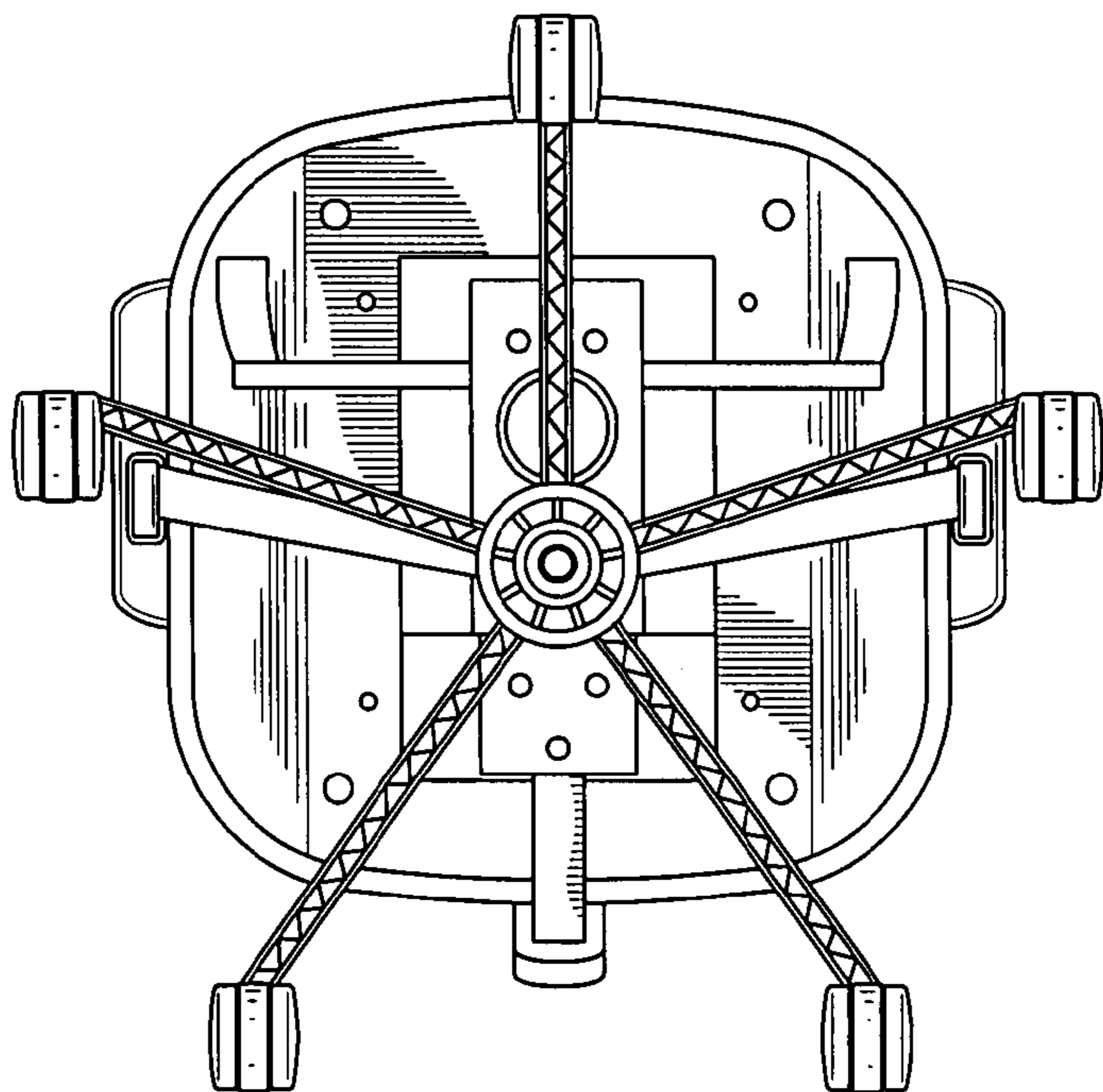


FIG. 7



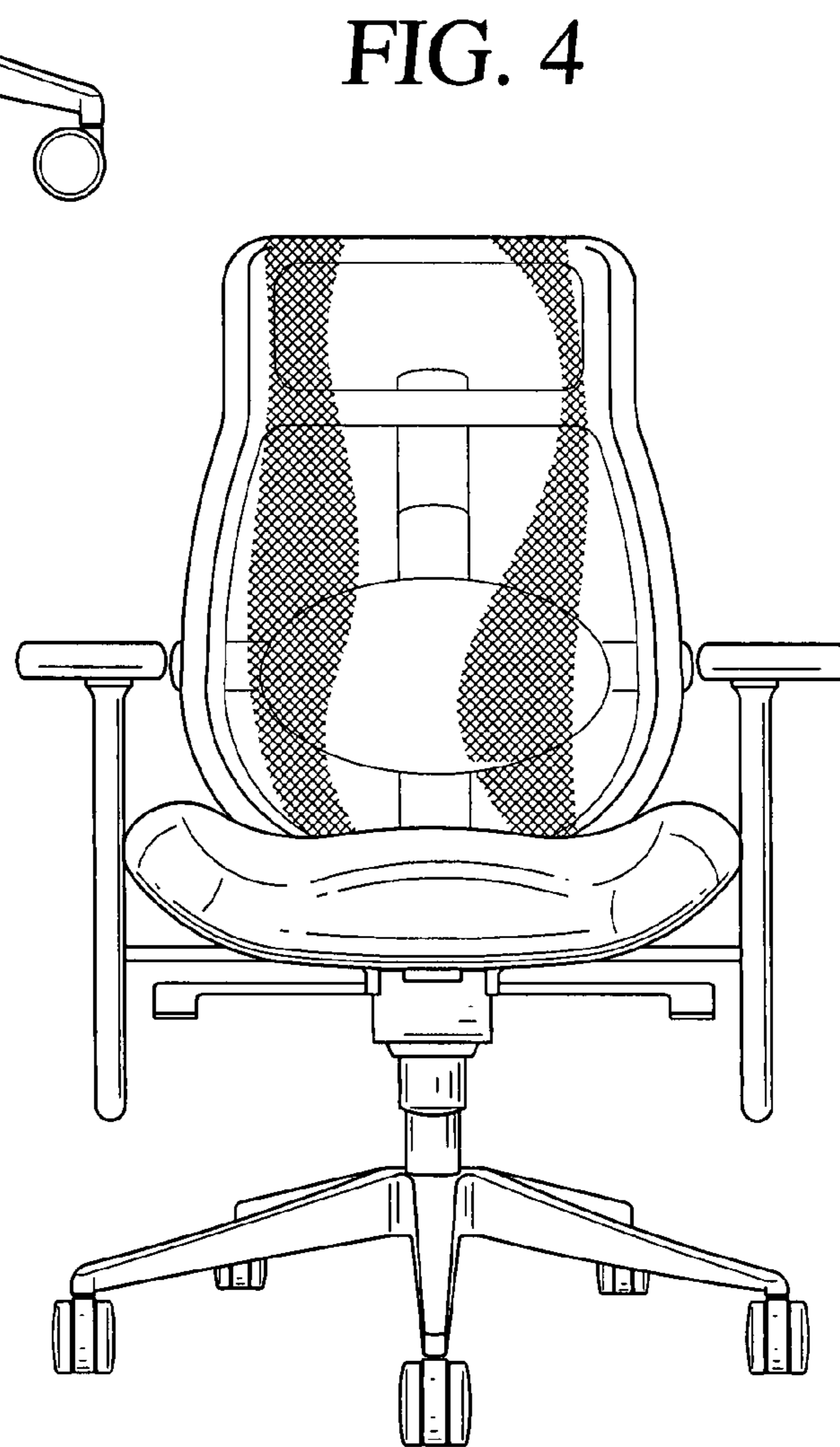
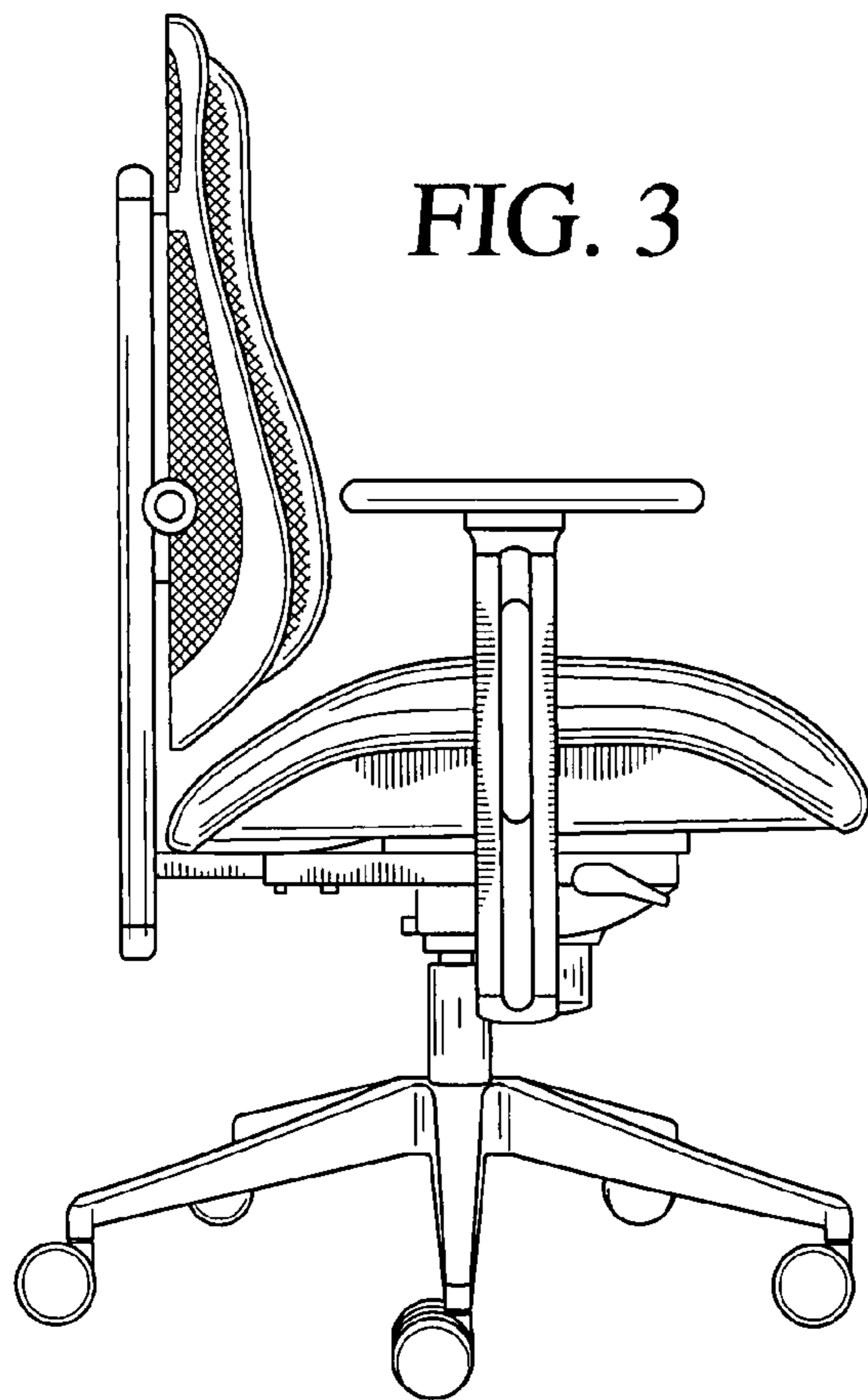


FIG. 5

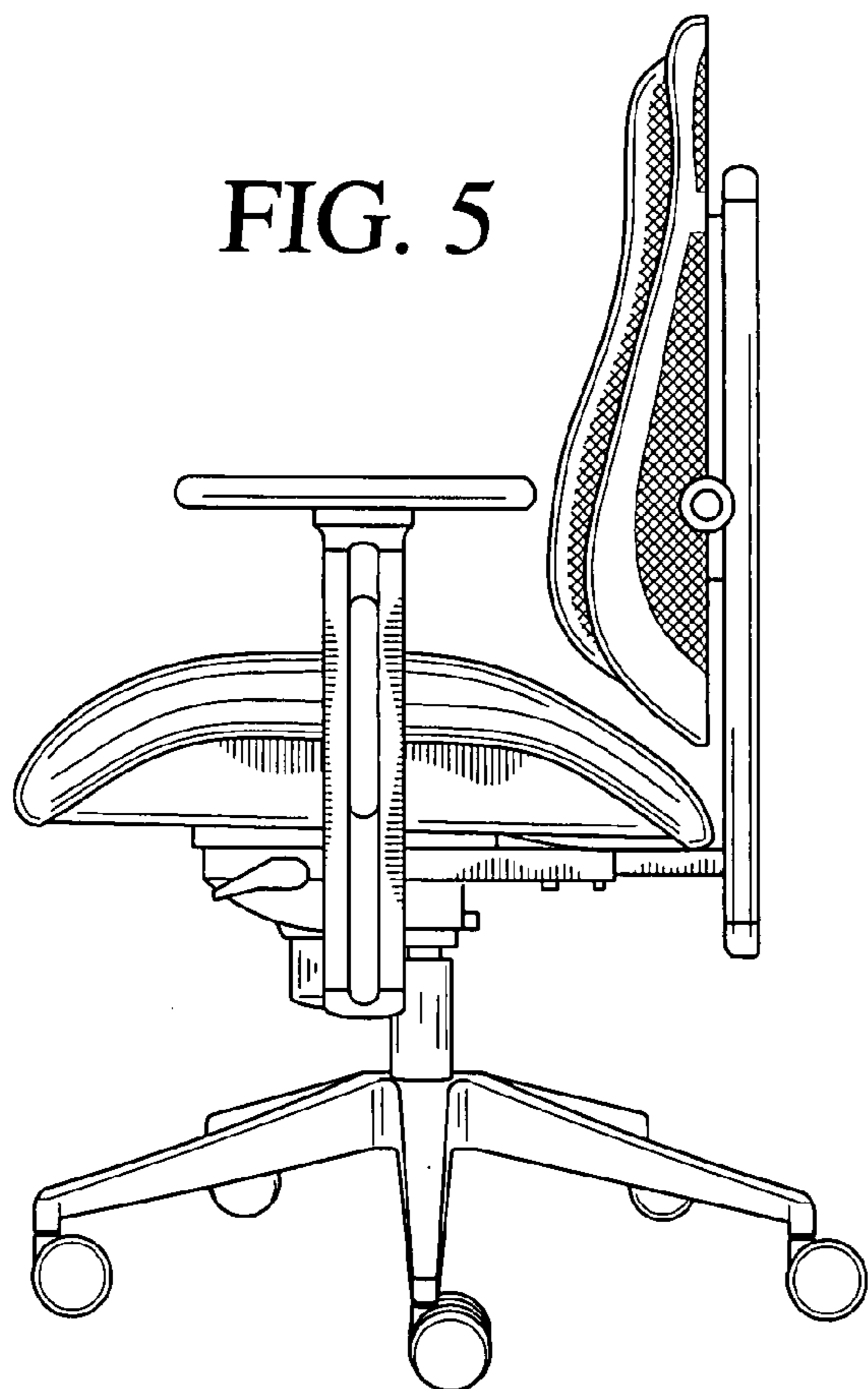


FIG. 6

