



US00D557910S

(12) **United States Design Patent** (10) **Patent No.:** **US D557,910 S**  
**Saunders et al.** (45) **Date of Patent:** **\*\* Dec. 25, 2007**

(54) **STEP STOOL**

(75) Inventors: **Craig M. Saunders**, Rocky River, OH (US); **Lindsey Tufts, Jr.**, Eastlake, OH (US); **Jeffrey M. Kalman**, Cleveland Heights, OH (US)

(73) Assignee: **J.F. Meskill Enterprises, LLC**, Cleveland, OH (US)

(\*\*) Term: **14 Years**

(21) Appl. No.: **29/267,837**

(22) Filed: **Oct. 23, 2006**

(51) **LOC (8) Cl.** ..... **06-01**

(52) **U.S. Cl.** ..... **D6/350**

(58) **Field of Classification Search** ..... D6/349-355, D6/363-364, 484, 495, 500-502; 297/195.1, 297/195.11, 16.1, 118, 16.2, 175, 187, 462, 297/215.16, 219.11, 423.1, 423.39, 423.41, 297/423.43, 461; 108/53.3, 115, 150

See application file for complete search history.

(56) **References Cited**

U.S. PATENT DOCUMENTS

329,654 A	11/1885	Kraemer
446,579 A	2/1891	Brown
906,891 A	12/1908	Johnston
1,050,409 A	1/1913	Wadsworth et al.
D184,390 S	2/1959	Cramer
2,955,645 A	10/1960	Cramer
D197,842 S	3/1964	Keller et al.
3,410,441 A	11/1968	Rhyne
D216,508 S	1/1970	Dottinger et al.
3,559,761 A	2/1971	Wehner
3,570,699 A	3/1971	Kobayashi
3,599,750 A	8/1971	Serwer
3,692,204 A	9/1972	Provi et al.
3,700,134 A	10/1972	Blanchard
3,721,315 A	3/1973	Wehner
3,727,785 A	4/1973	Lutz
3,727,786 A	4/1973	Fausel

3,743,051 A	7/1973	Cramer
D237,872 S	12/1975	Miller et al.
3,981,410 A	9/1976	Schurch
3,982,650 A	9/1976	Ichihara
4,005,795 A	2/1977	Mikkelsen et al.
4,046,348 A	9/1977	Goodwin
4,155,423 A	5/1979	Miller

(Continued)

FOREIGN PATENT DOCUMENTS

EP 0 211 116 B1 8/1985

(Continued)

*Primary Examiner*—Sandra Snapp  
(74) *Attorney, Agent, or Firm*—Fay Sharpe LLP

(57) **CLAIM**

The ornamental design for a step stool, as shown and described.

**DESCRIPTION**

FIG. 1 is a perspective view of a step stool showing the new design with the texturing on the top surface shown in broken lines and form no art of the claimed design;

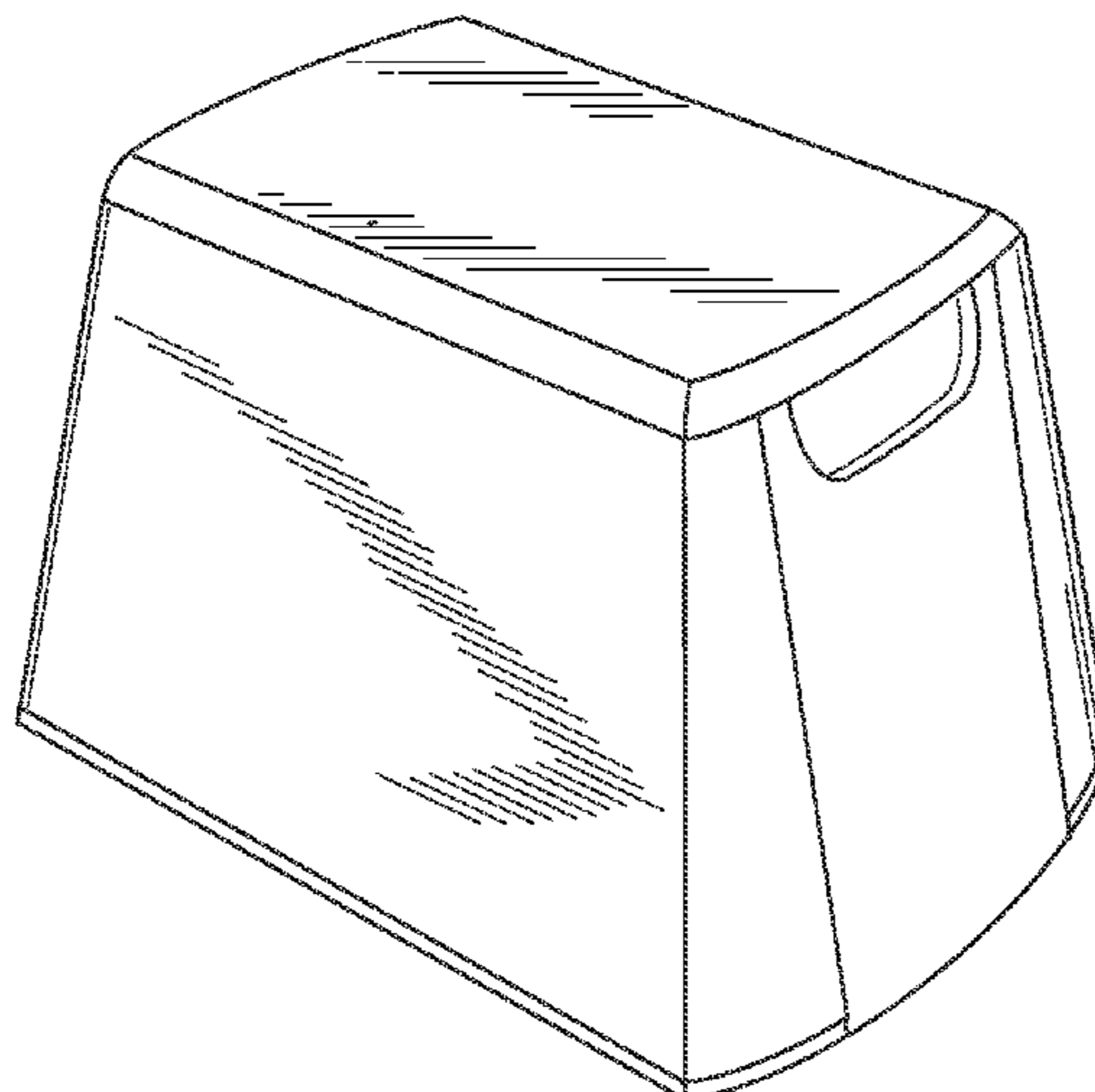
FIG. 2 is a front elevational view thereof, the rear elevational view being identical thereto, with the wheels supporting the step stool shown in broken line;

FIG. 3 is a side elevational view thereof, the unillustrated side being identical thereto, with the wheels shown in broken lines;

FIG. 4 is a top plan view thereof, with the surface texturing of the top horizontal surface of the step stool shown in broken lines as such texturing may vary and does not form a part of the design to be patented; and,

FIG. 5 is a perspective view showing the open bottom and interior of the step stool with structural elements shown in broken lines as they do not form a part of the design being patented.

**1 Claim, 2 Drawing Sheets**



# US D557,910 S

Page 2

## U.S. PATENT DOCUMENTS

4,238,044 A 12/1980 Roddier  
D262,419 S 12/1981 Cramer  
4,402,397 A 9/1983 Spence  
D271,256 S 11/1983 McClelland  
4,561,554 A 12/1985 Swincicki  
4,624,341 A 11/1986 Lee  
4,662,532 A 5/1987 Anderson et al.  
4,674,647 A 6/1987 Gyenge et al.  
4,782,972 A 11/1988 Wenkman et al.  
4,917,255 A 4/1990 Foy et al.  
D307,800 S 5/1990 Hradisky  
5,011,013 A \* 4/1991 Meisner et al. .... 206/373  
5,037,084 A 8/1991 Flor  
5,072,828 A 12/1991 Irvine  
5,118,095 A 6/1992 Flor  
D330,462 S 10/1992 Szablak et al.  
5,236,099 A 8/1993 Fties et al.  
D339,179 S 9/1993 Wilkinson  
5,285,992 A 2/1994 Brown  
D347,527 S \* 6/1994 Breen et al. .... D6/349  
D355,828 S \* 2/1995 Dickinson et al. .... D25/63  
D360,664 S 7/1995 Stone  
5,555,980 A 9/1996 Johnston et al.

D376,909 S \* 12/1996 Dickinson et al. .... D3/281  
D382,113 S \* 8/1997 DuRapau ..... D3/274  
5,697,669 A \* 12/1997 Yemini ..... 297/188.1  
5,816,425 A 10/1998 Keip et al.  
5,823,374 A 10/1998 Wu  
D405,956 S \* 2/1999 Meisner et al. .... D3/274  
5,882,097 A \* 3/1999 Kohagen et al. .... 312/235.1  
6,415,938 B1 7/2002 Karpisek  
D524,069 S 7/2006 Lim  
2003/0150769 A1 8/2003 Lau  
2004/0200832 A1 10/2004 Moon et al.  
2005/0016999 A1 1/2005 Richardson et al.  
2005/0155967 A1 7/2005 Vial  
2006/0043090 A1 3/2006 Ferrini  
2006/0054620 A1 3/2006 Liu et al.  
2006/0144837 A1 7/2006 Linares

## FOREIGN PATENT DOCUMENTS

EP 1 061 009 B1 6/1999  
EP 1 182 149 A2 2/2002  
GB 2 421 928 7/2006  
WO WO 97/49622 12/1997

\* cited by examiner

FIG. 1

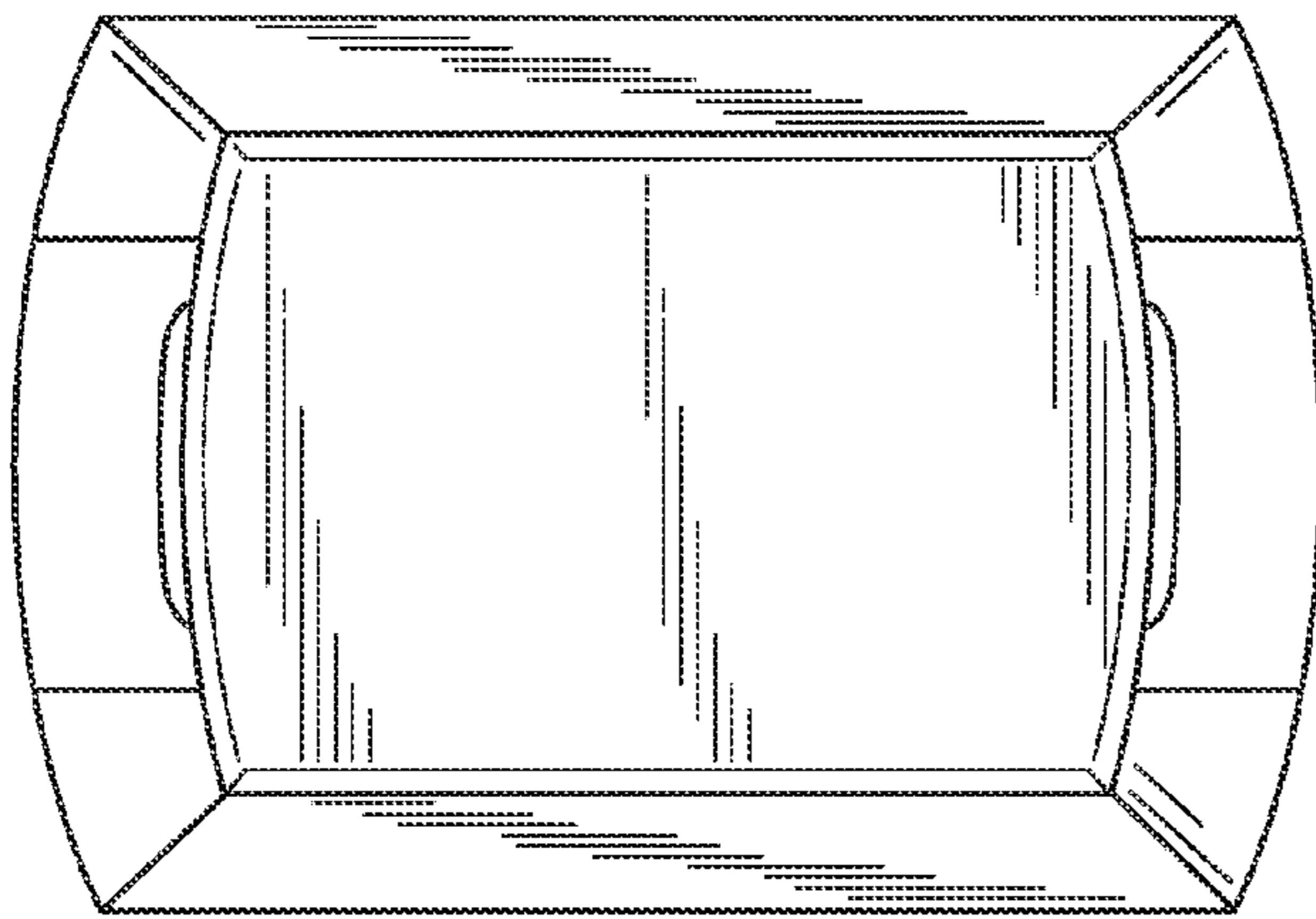
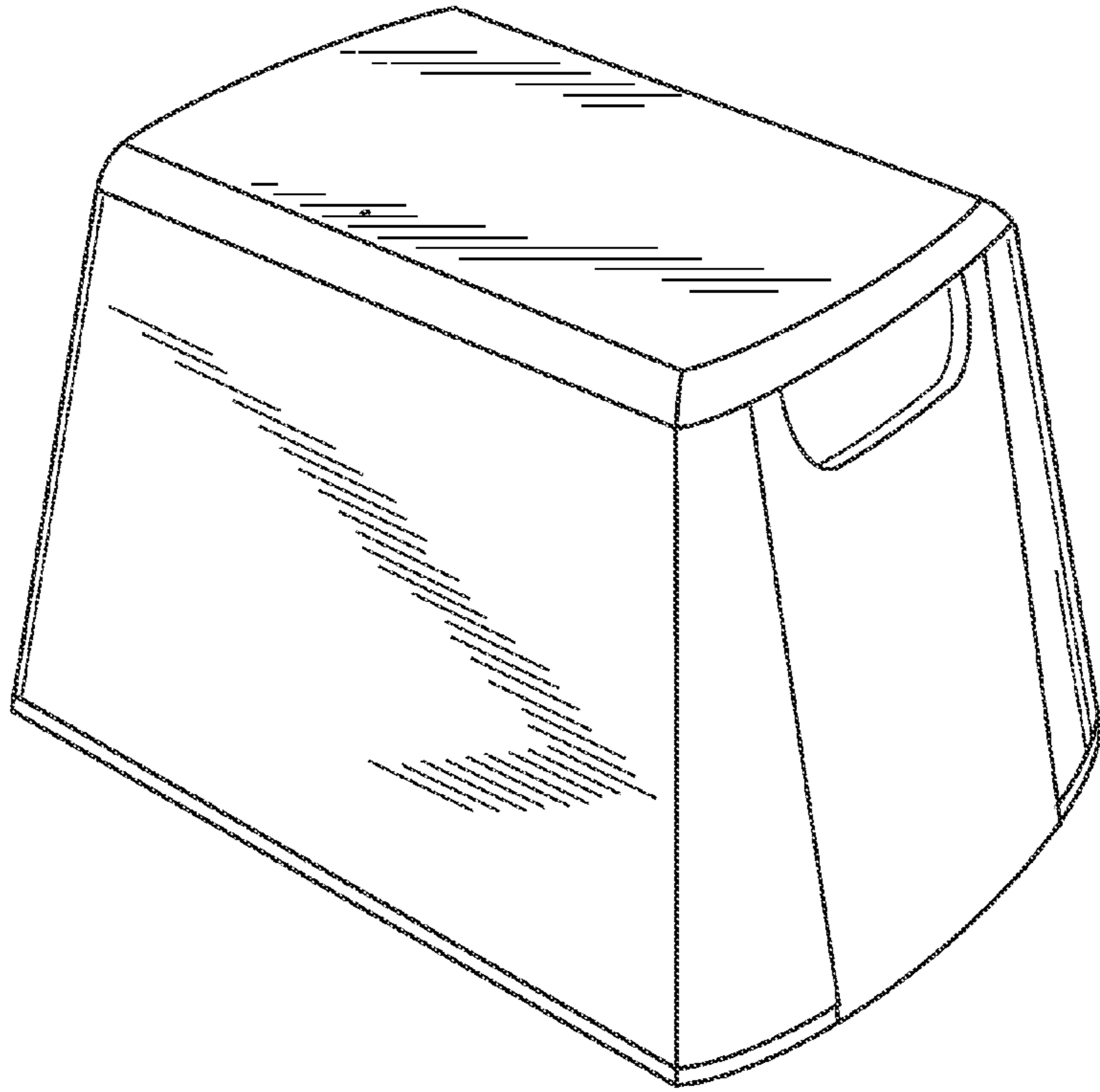


FIG. 4

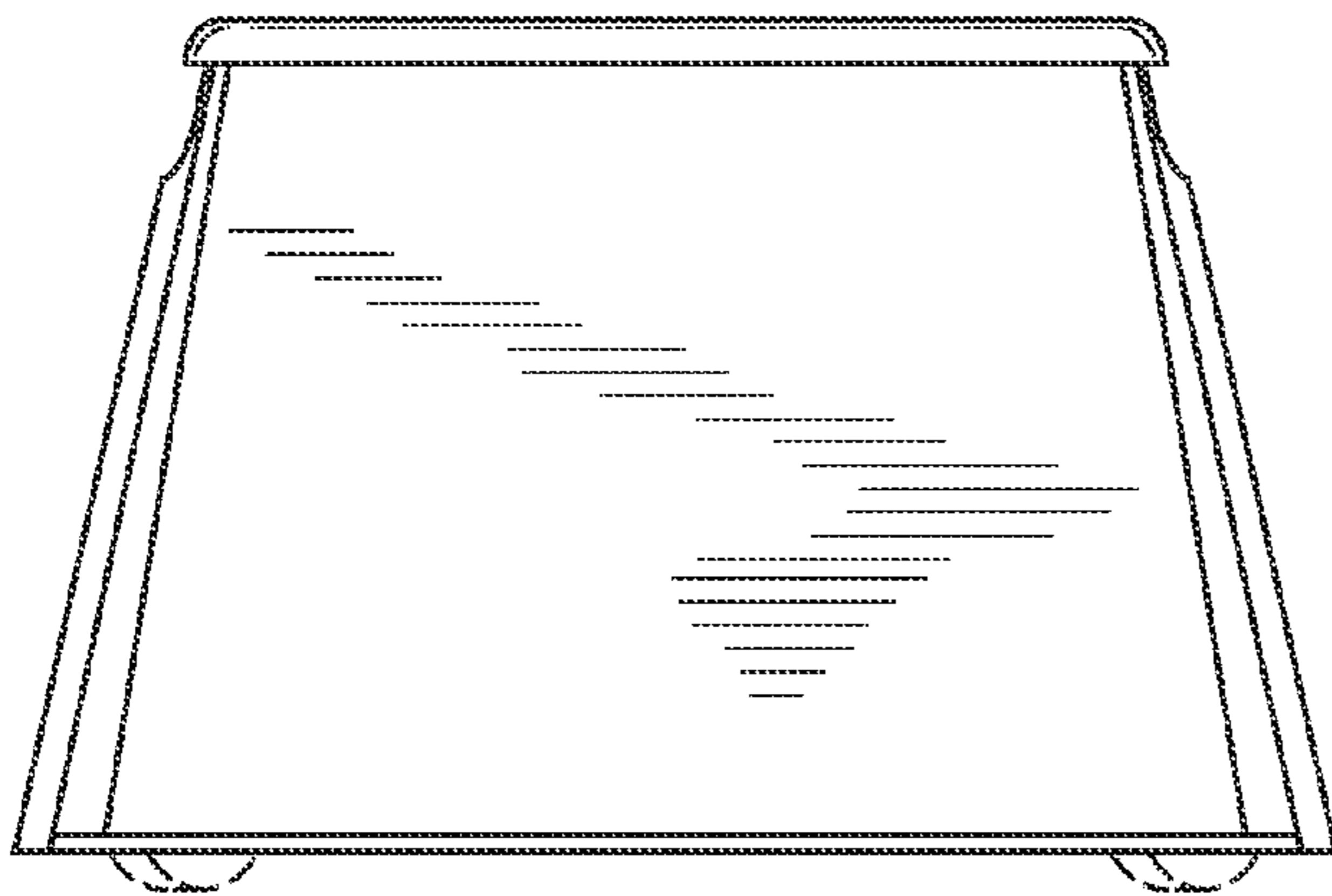


FIG. 2

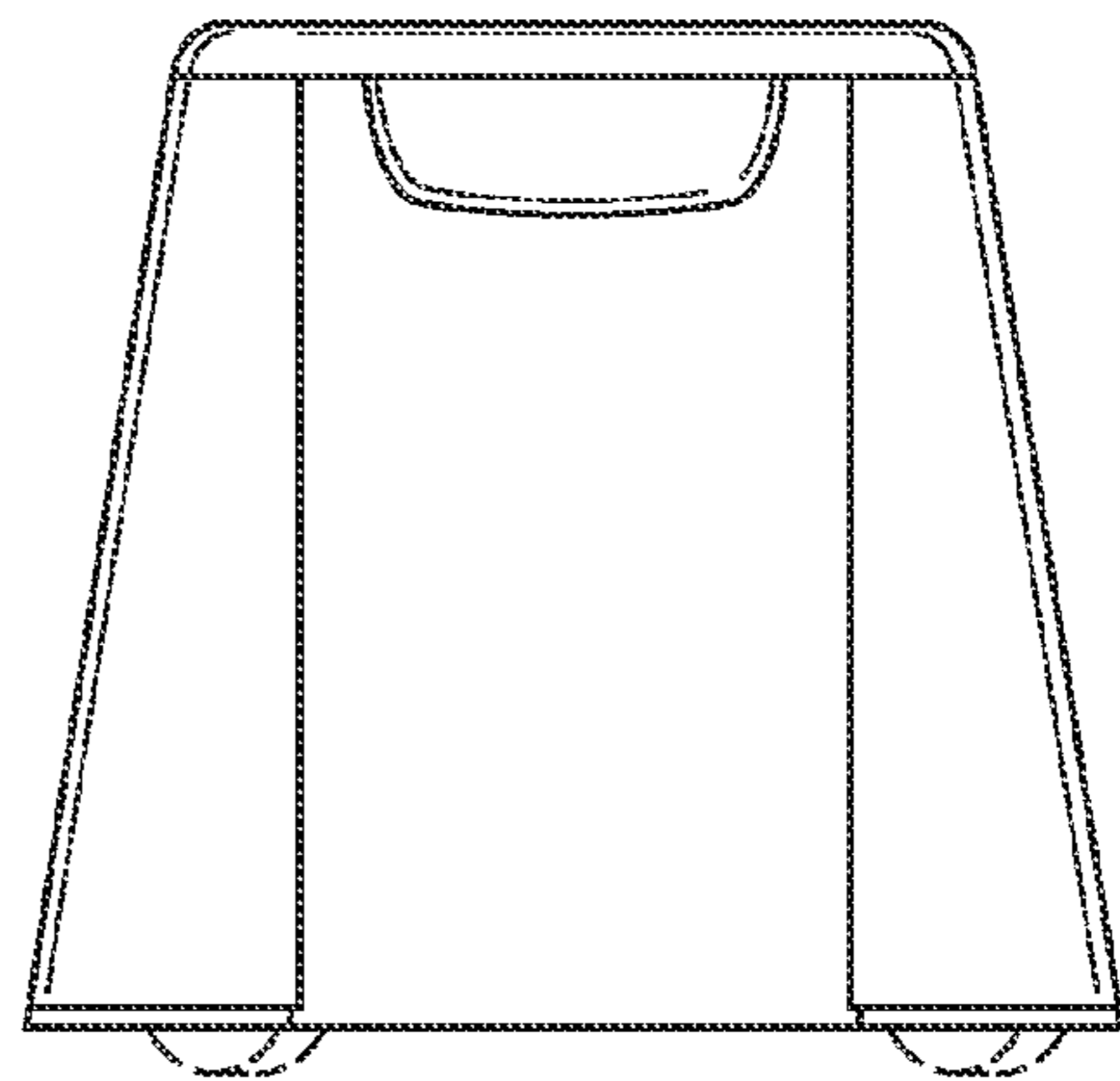


FIG. 3

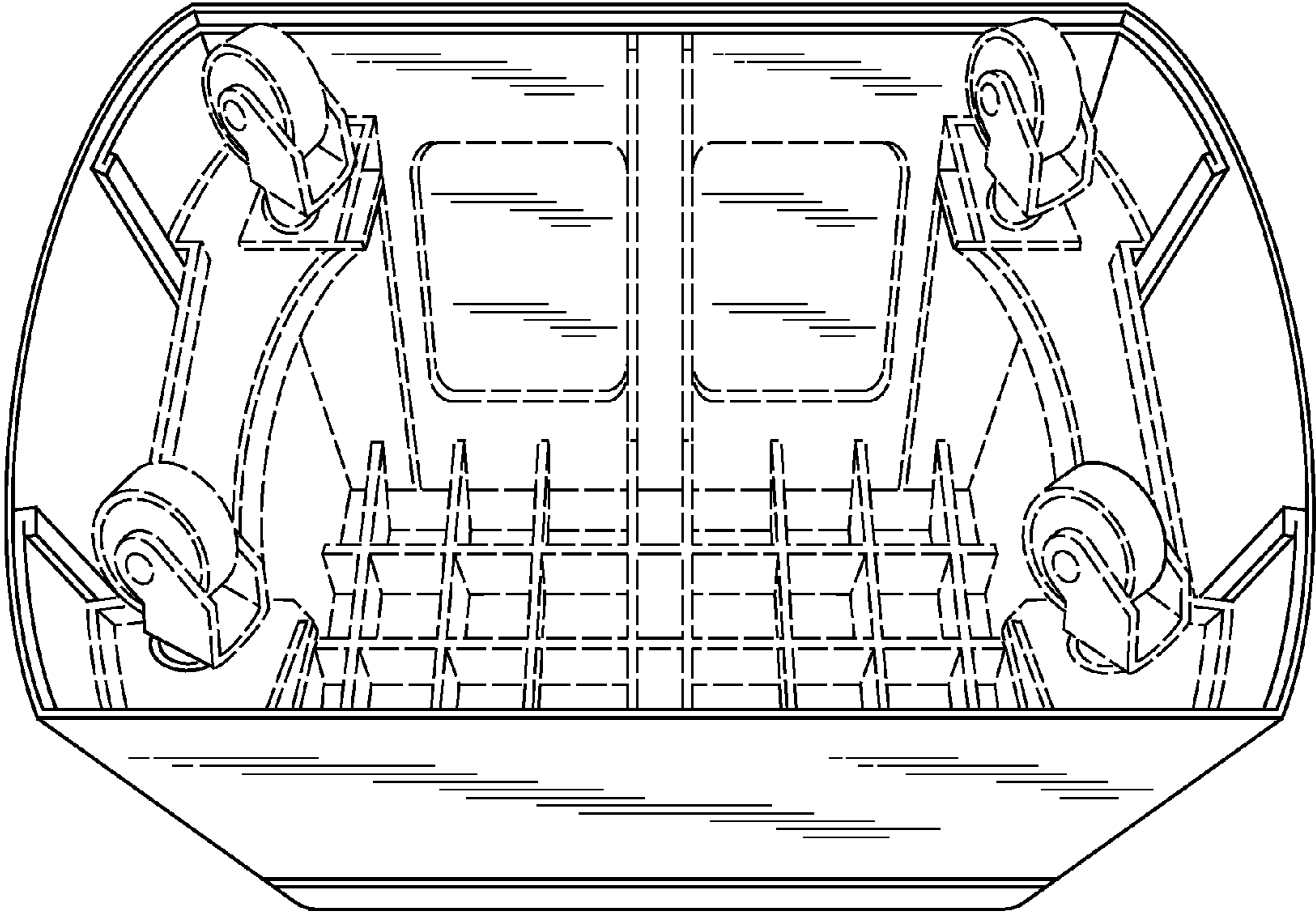


FIG. 5