



US00D557909S

(12) **United States Design Patent**
LaSorsa

(10) **Patent No.:** **US D557,909 S**

(45) **Date of Patent:** **** Dec. 25, 2007**

(54) **STOOL**

D528,829 S * 9/2006 Magnusson D6/495
D530,109 S * 10/2006 Barrett D6/352

(75) Inventor: **Antoinette LaSorsa**, New York, NY
(US)

(73) Assignee: **Adaptive Design Association, Inc.**,
New York, NY (US)

* cited by examiner

Primary Examiner—Sandra Snapp
(74) *Attorney, Agent, or Firm*—Darby & Darby P.C.

(**) Term: **14 Years**

(21) Appl. No.: **29/273,529**

(57) **CLAIM**

(22) Filed: **Mar. 6, 2007**

The ornamental design for a stool, as shown and described.

(51) **LOC (8) Cl.** **06-01**

(52) **U.S. Cl.** **D6/349**

(58) **Field of Classification Search** D6/349–355,
D6/363–364, 484, 495, 500–502; 297/195.1,
297/195.11, 16.1, 118, 16.2, 175, 187, 462,
297/215.16, 219.11, 423.1, 423.39, 423.41,
297/423.43, 461; 108/53.3, 115, 150
See application file for complete search history.

DESCRIPTION

FIG. 1 is a perspective view of a stool showing my new design in accordance with a first embodiment of the invention;

FIG. 2 is a side plan view of the stool shown in FIG. 1, all of the side view being identical;

FIG. 3 is a top plan view of the stool shown in FIG. 1; and,

FIG. 4 is a bottom plan view of the stool shown in FIG. 1.

(56) **References Cited**

U.S. PATENT DOCUMENTS

D523,251 S * 6/2006 Parpala D6/352

1 Claim, 1 Drawing Sheet

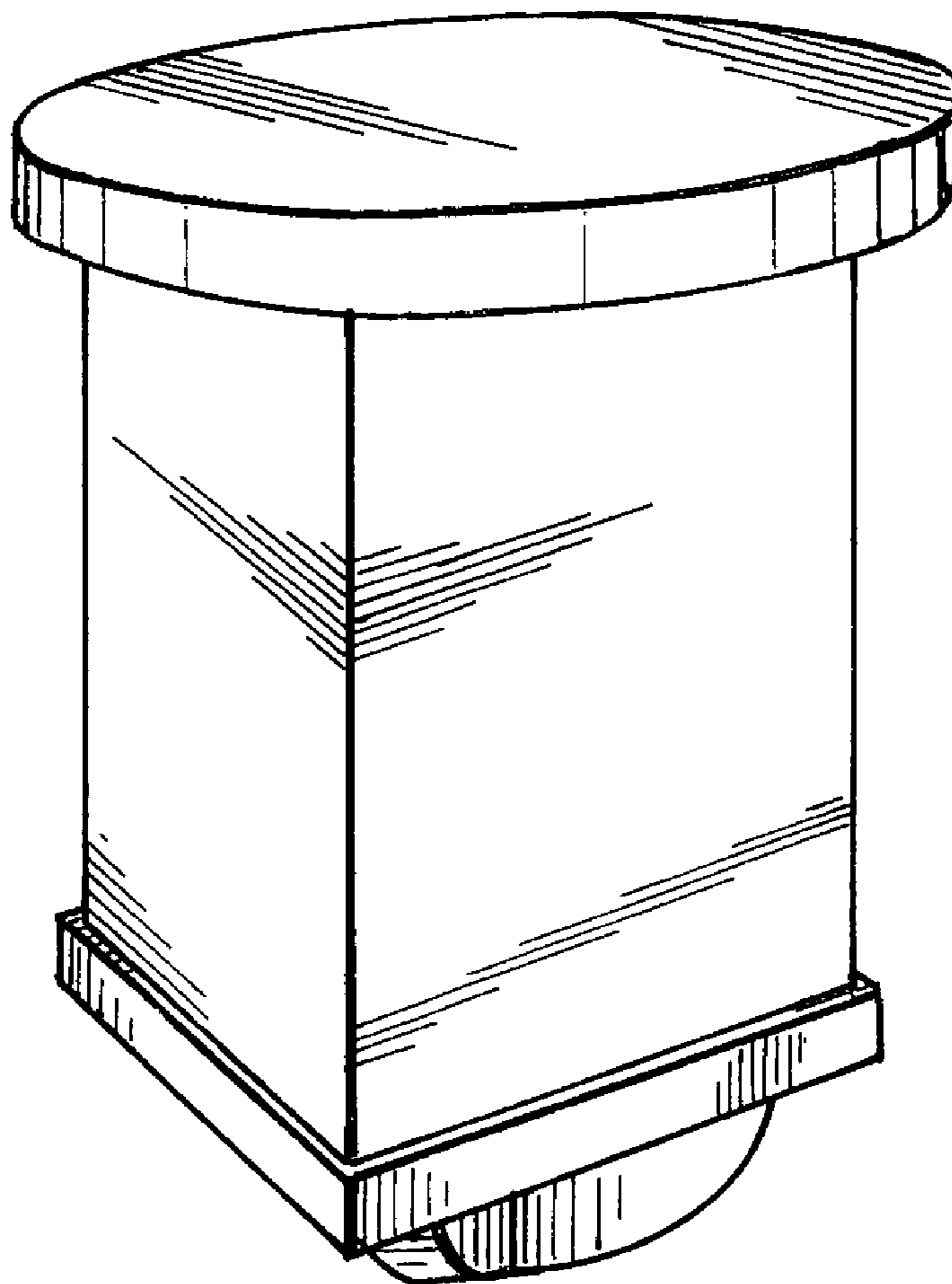


FIG. 1

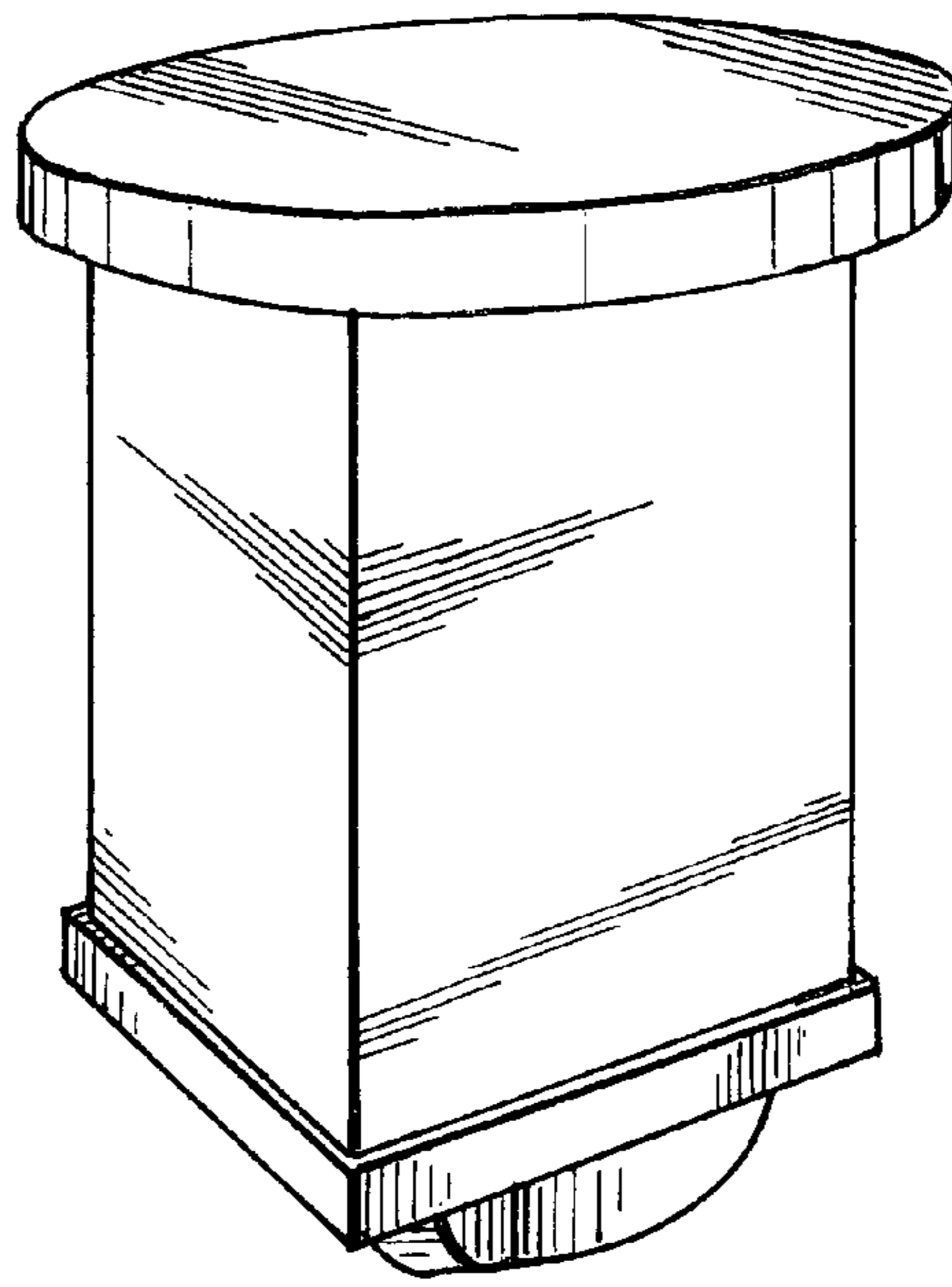


FIG. 2

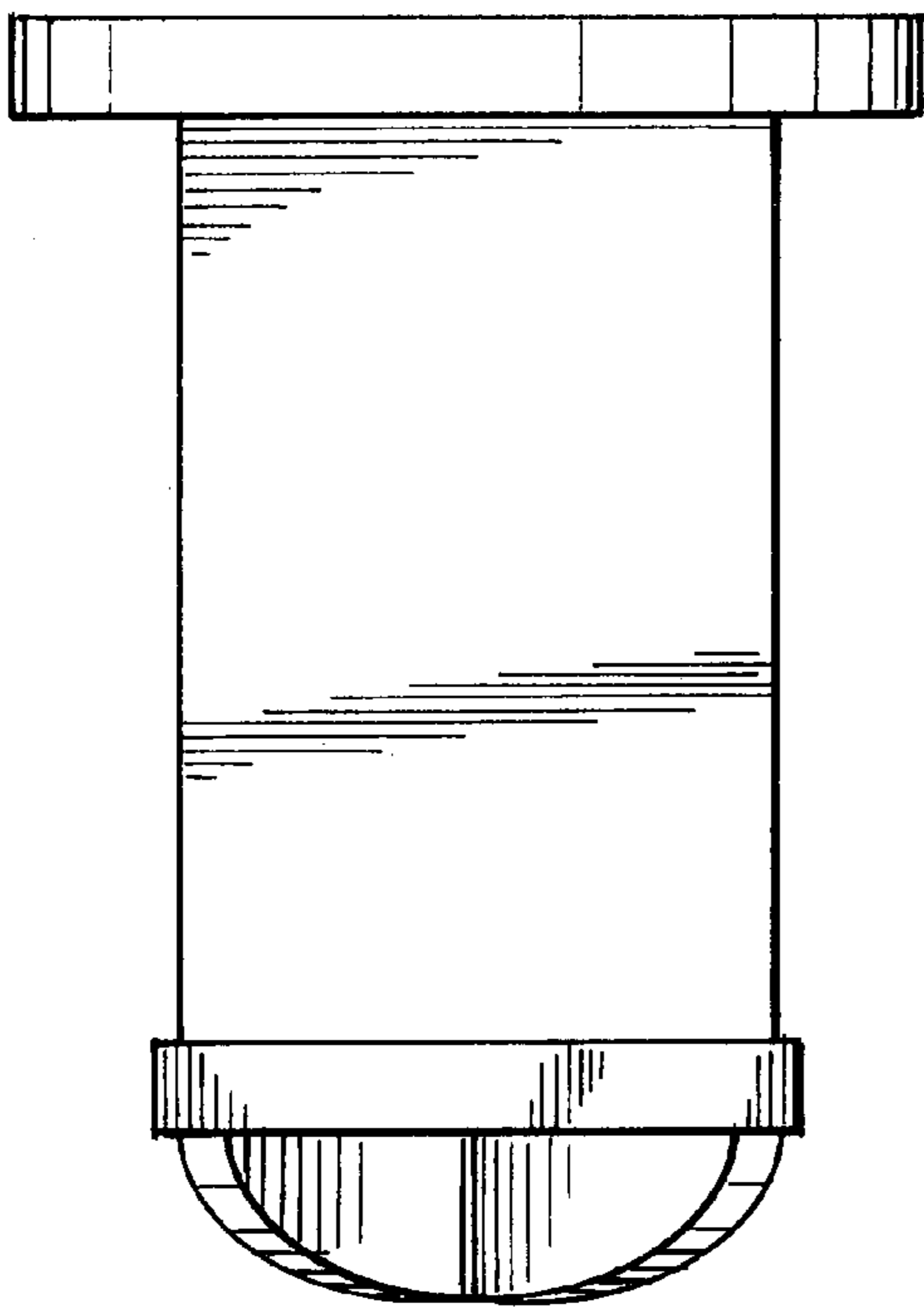


FIG. 3

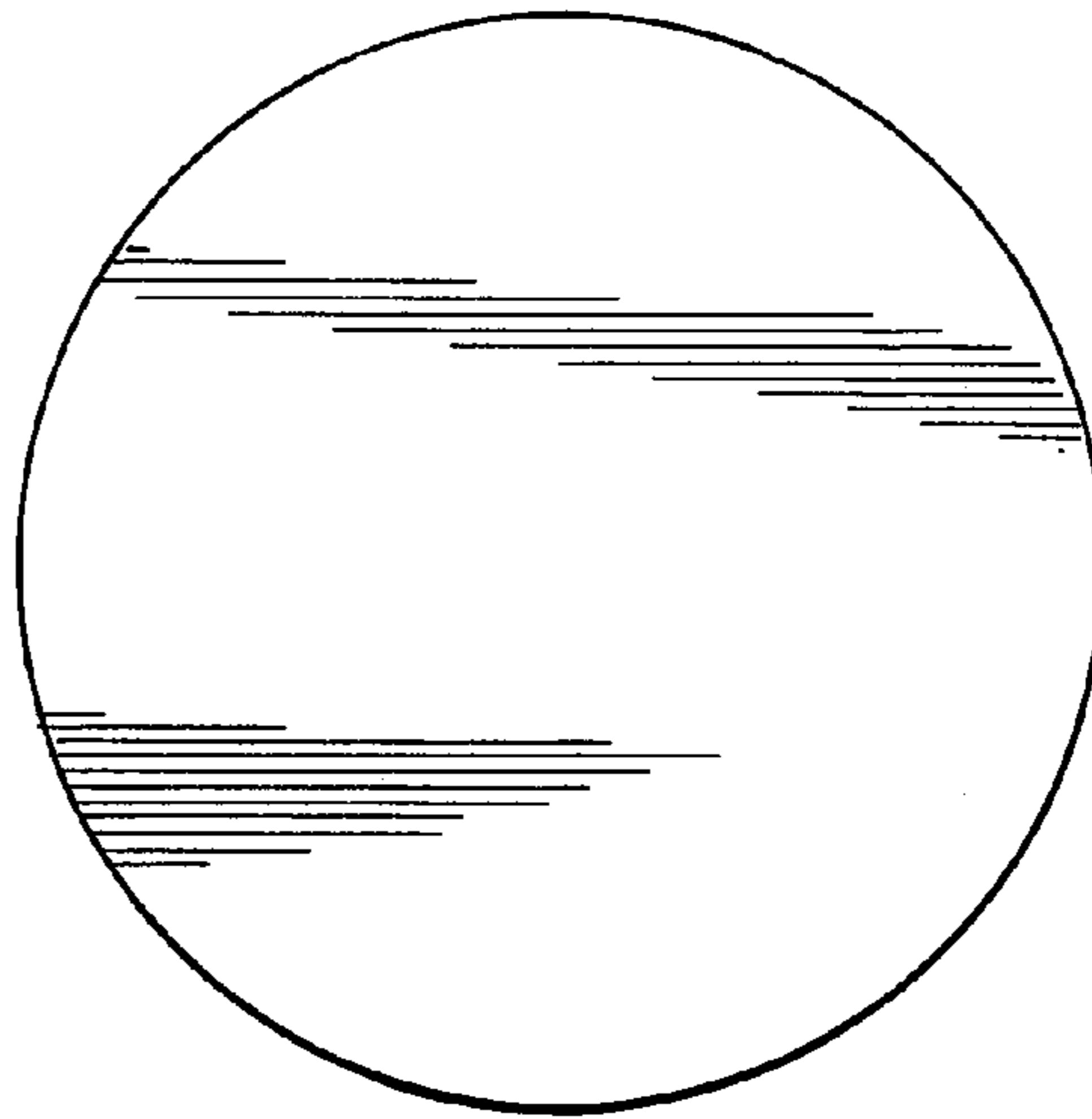


FIG. 4

