



US00D557904S

(12) **United States Design Patent** (10) **Patent No.:** **US D557,904 S**
Engber (45) **Date of Patent:** **** Dec. 25, 2007**

(54) **EASEL**

(76) Inventor: **Nancy B. Engber**, 1007 N. Mission,
Fayetteville, AR (US) 72701

(**) Term: **14 Years**

(21) Appl. No.: **29/233,418**

(22) Filed: **Jul. 1, 2005**

(51) **LOC (8) Cl.** **06-07**

(52) **U.S. Cl.** **D6/300**

(58) **Field of Classification Search** D6/300,
D6/310, 301, 314; 248/464, 450, 352, 460,
248/451, 459, 152, 174; 434/417; D19/88,
D19/36, 90; 211/11, 45, 50; 40/734, 745
See application file for complete search history.

(56) **References Cited**

U.S. PATENT DOCUMENTS

1,931,378	A *	10/1933	Fancher	434/417
2,485,517	A *	10/1949	Vaule et al.	248/464
3,190,603	A *	6/1965	Finnemann	248/450

(Continued)

Primary Examiner—Caron D. Veynar
Assistant Examiner—Sydney R. Buffalo
(74) *Attorney, Agent, or Firm*—Keisling Pieper & Scott
PLC; Daniel B. Pieper; Trent C. Keisling

(57) **CLAIM**

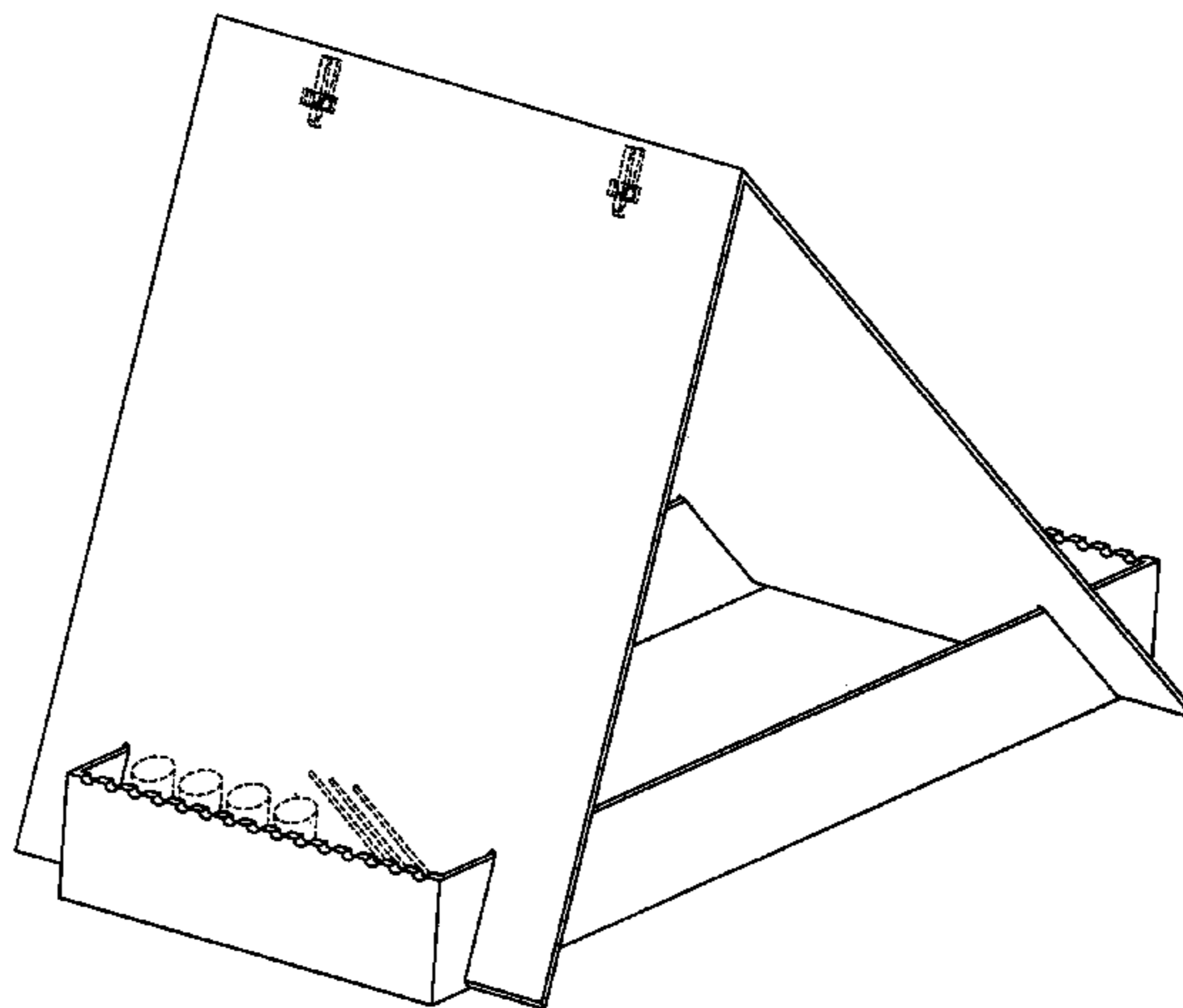
The ornamental design for a easel, as shown and described.

DESCRIPTION

FIG. 1 is a perspective view of and easel showing my new design.
FIG. 2 is a front elevation view;
FIG. 3 is a right side elevation view;
FIG. 4 is a rear elevation view;

FIG. 5 is a left side elevation view;
FIG. 6 is top plan view;
FIG. 7 is a bottom plan view;
FIG. 8 is a perspective view of the easel plate shown separately for ease of illustration;
FIG. 9 is a perspective view of the easel plate in the folded position, shown separately for ease of illustration;
FIG. 10 is a first end view of the easel plate in a flat position shown separately for ease of illustration;
FIG. 11 is a left side view of the easel plate in a flat position, shown separately for ease of illustration;
FIG. 12 is a top view of the easel plate in a flat position, shown separately for ease of illustration;
FIG. 13 is a right side view of the easel plate in a flat position, shown separately for ease of illustration;
FIG. 14 is a bottom view of the easel plate in a flat position, shown separately for ease of illustration;
FIG. 15 is a second end view of the easel plate in a flat position, shown separately for ease of illustration;
FIG. 16 is a perspective view of the base unit, shown separately for ease of illustration;
FIG. 17 is a perspective view of the base unit in a flat position, shown separately for ease of illustration;
FIG. 18 is a top view of the base unit shown in FIG. 17;
FIG. 19 is a first end view of the base unit shown in FIG. 17;
FIG. 20 is a left side view of the base unit shown in FIG. 17;
FIG. 21 is a second end view of the base unit shown in FIG. 17;
FIG. 22 is a right side view of the base unit shown in FIG. 17; and,
FIG. 23 is a bottom view of the base unit shown in FIG. 17.
The broken lines in the drawings are for illustrative purposes only and form no part of the claimed design.

1 Claim, 8 Drawing Sheets



US D557,904 S

Page 2

U.S. PATENT DOCUMENTS

3,599,925	A *	8/1971	Dubler	248/352	5,810,182	A	9/1998	Levin	211/195
D253,740	S *	12/1979	Dubler	D6/301	5,855,351	A *	1/1999	Cziraky et al.	248/451
4,544,123	A *	10/1985	Peacock	248/460	D413,147	S *	8/1999	Ruff et al.	D19/88
5,273,248	A *	12/1993	Grander	248/480	D502,964	S *	3/2005	Cziraky	D19/36
D343,417	S *	1/1994	Tarozzi	D19/36	D525,307	S *	7/2006	Arnold	D19/90
5,393,030	A *	2/1995	Tarozzi	248/460	2006/0081758	A1 *	4/2006	Lee	248/459
D369,473	S *	5/1996	Gluck	D6/300						

* cited by examiner

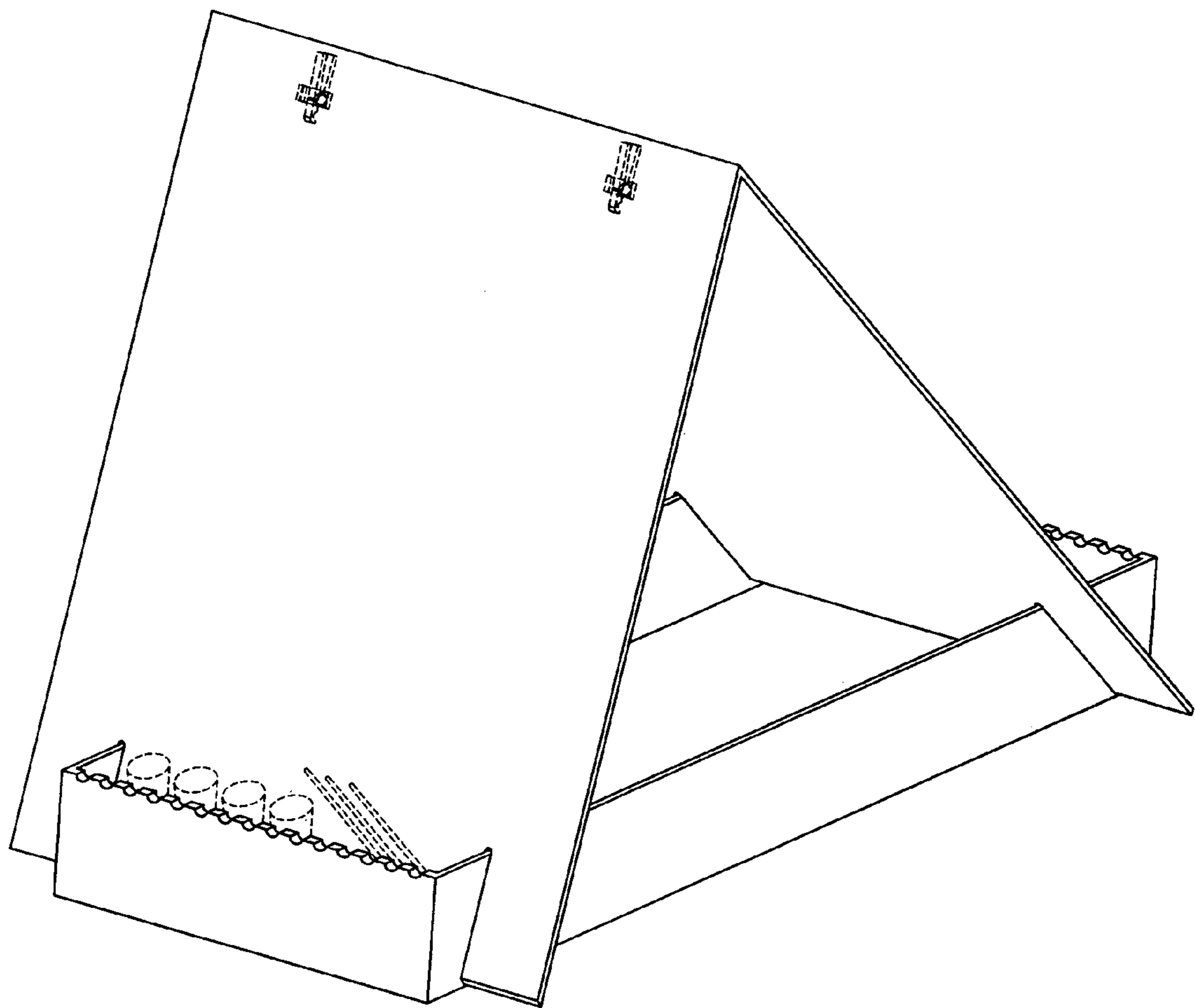


FIG. 1

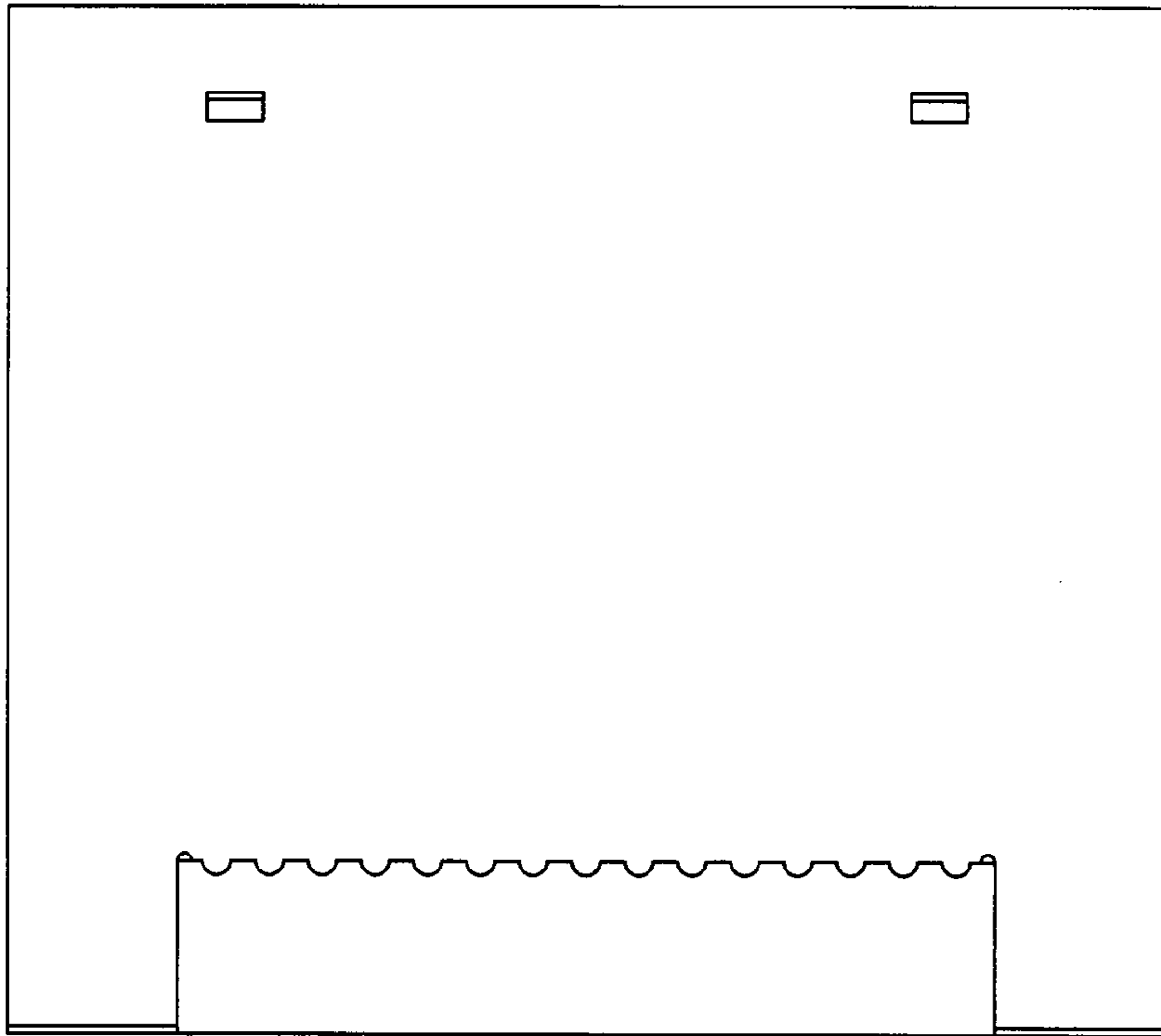


FIG. 2

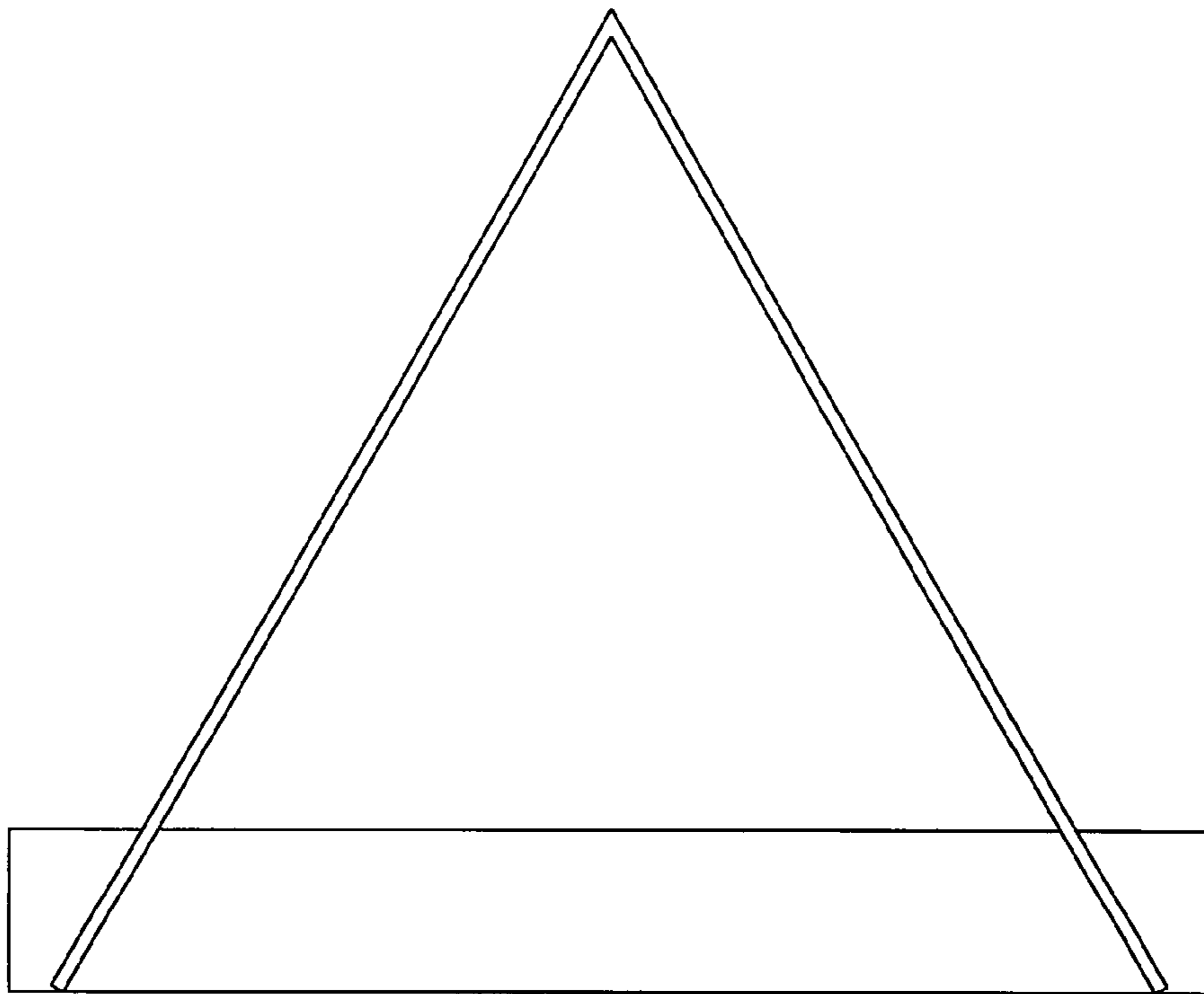


FIG. 3

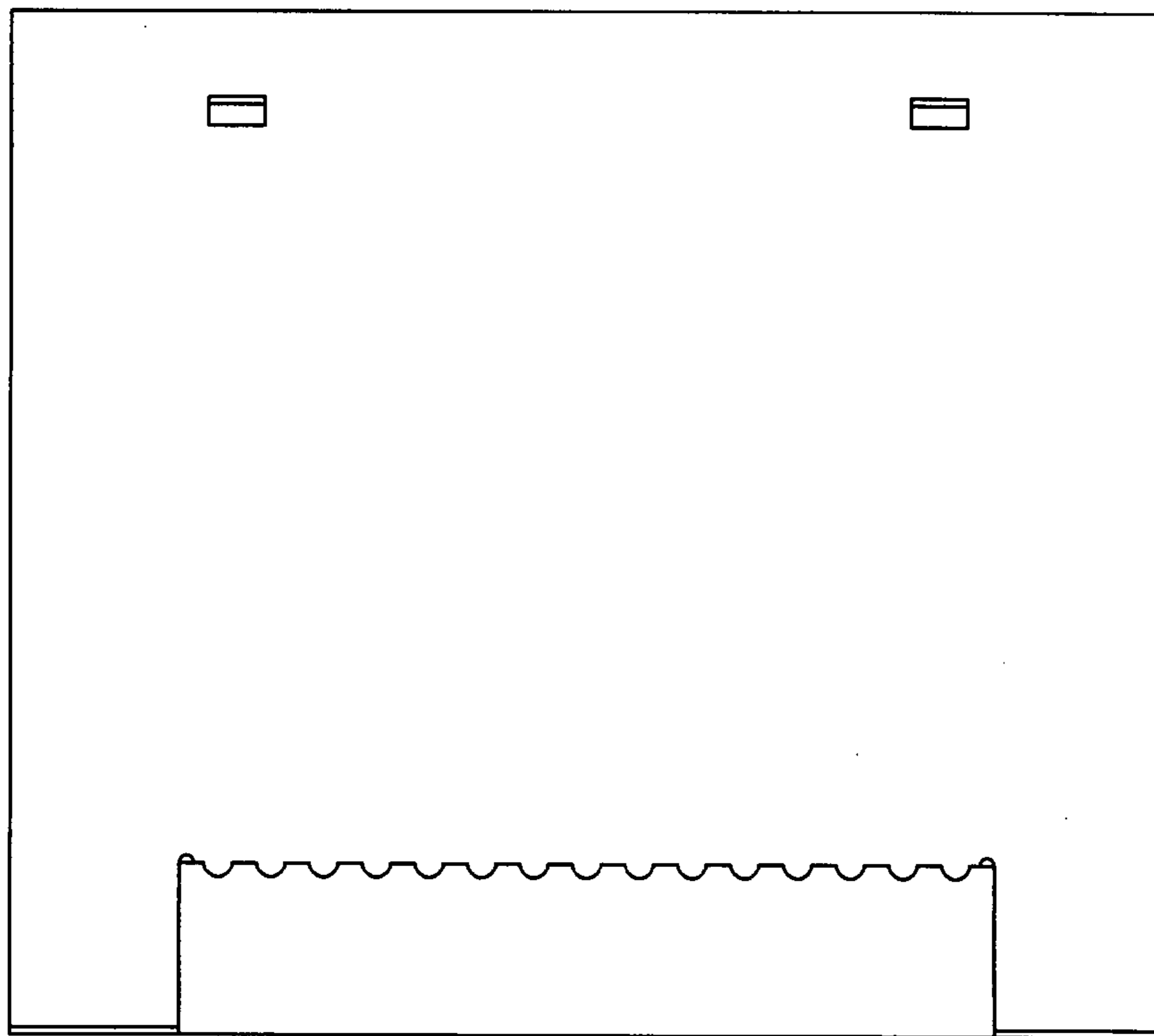


FIG. 4

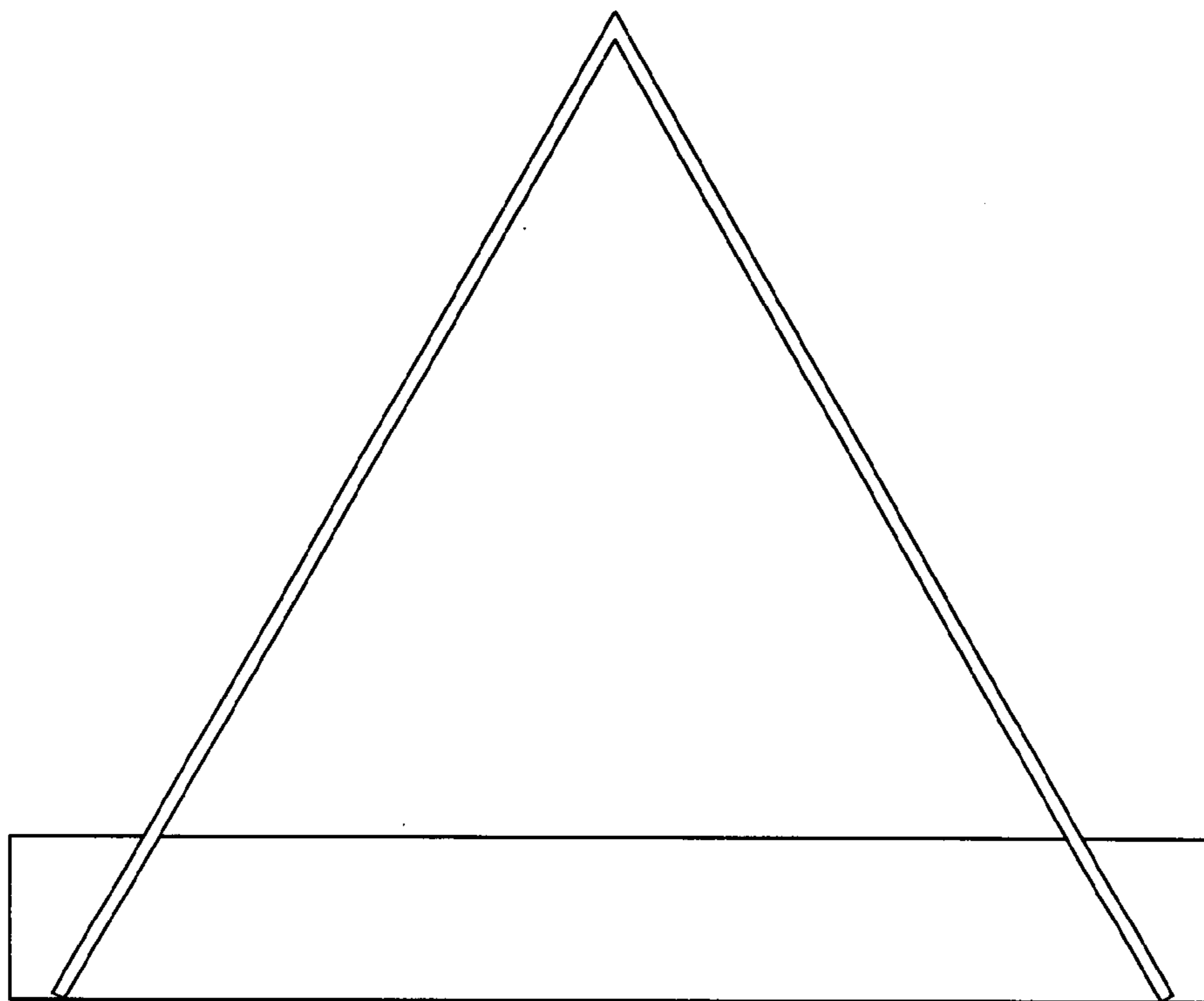


FIG. 5

FIG. 6

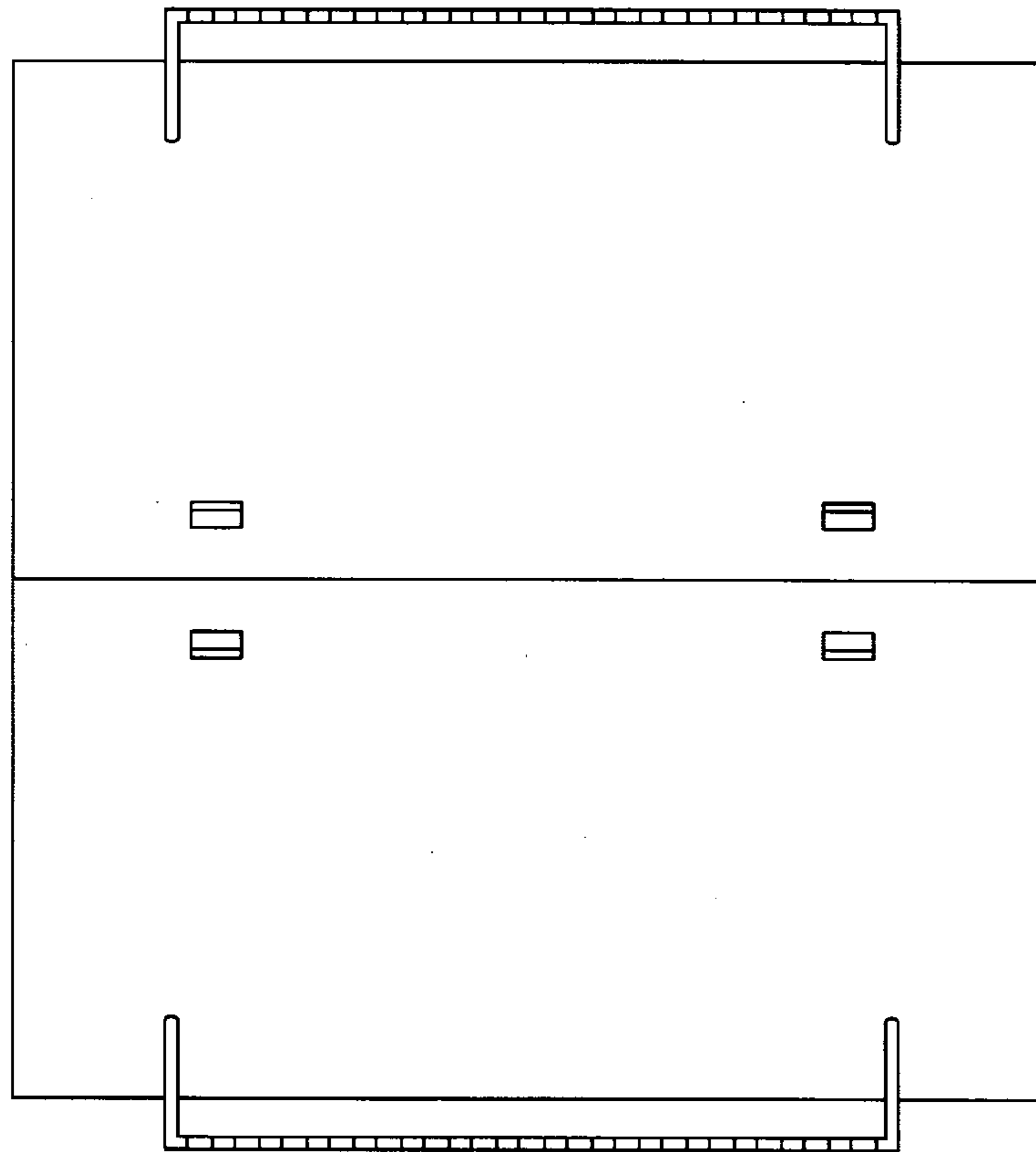
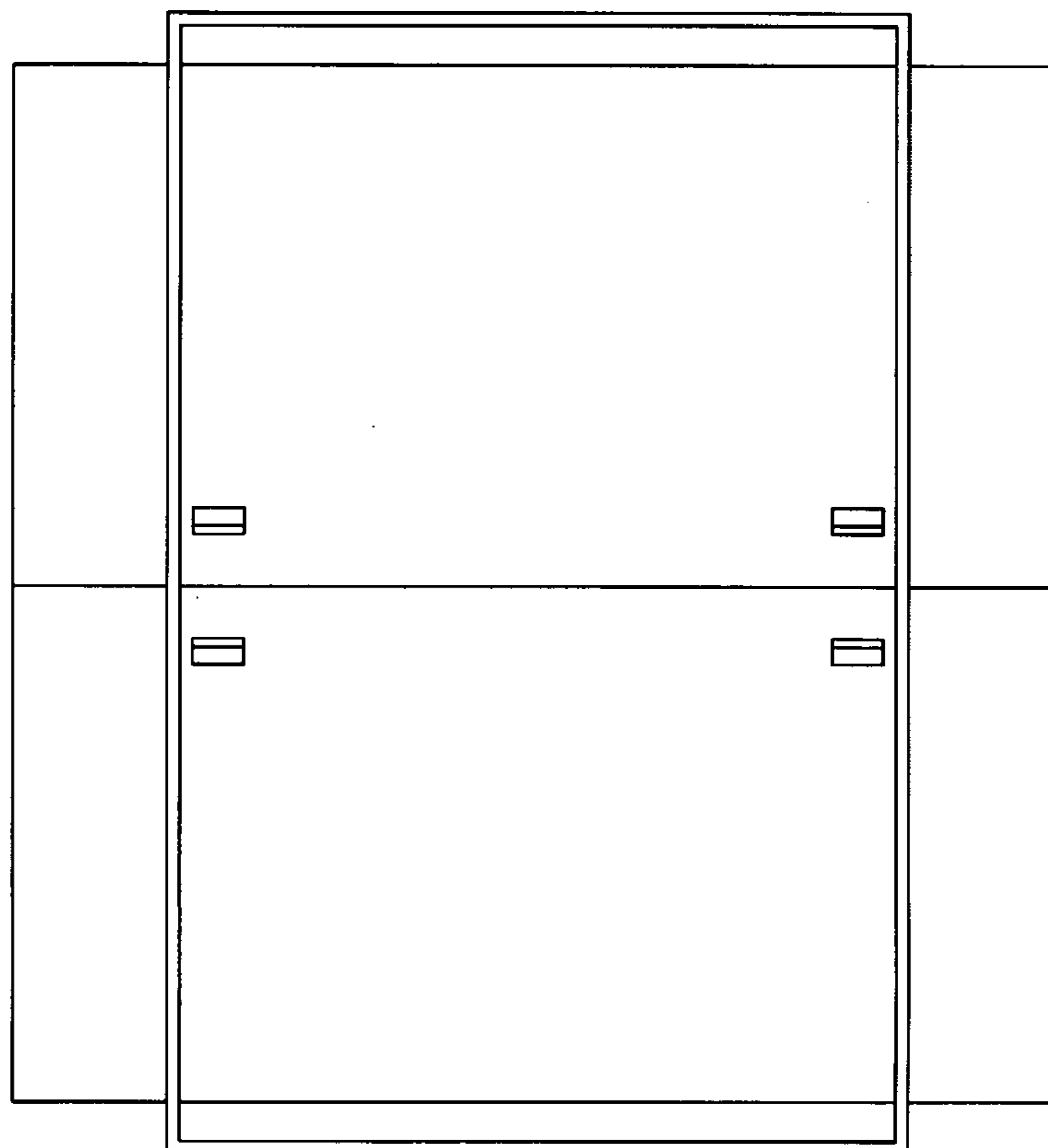


FIG. 7



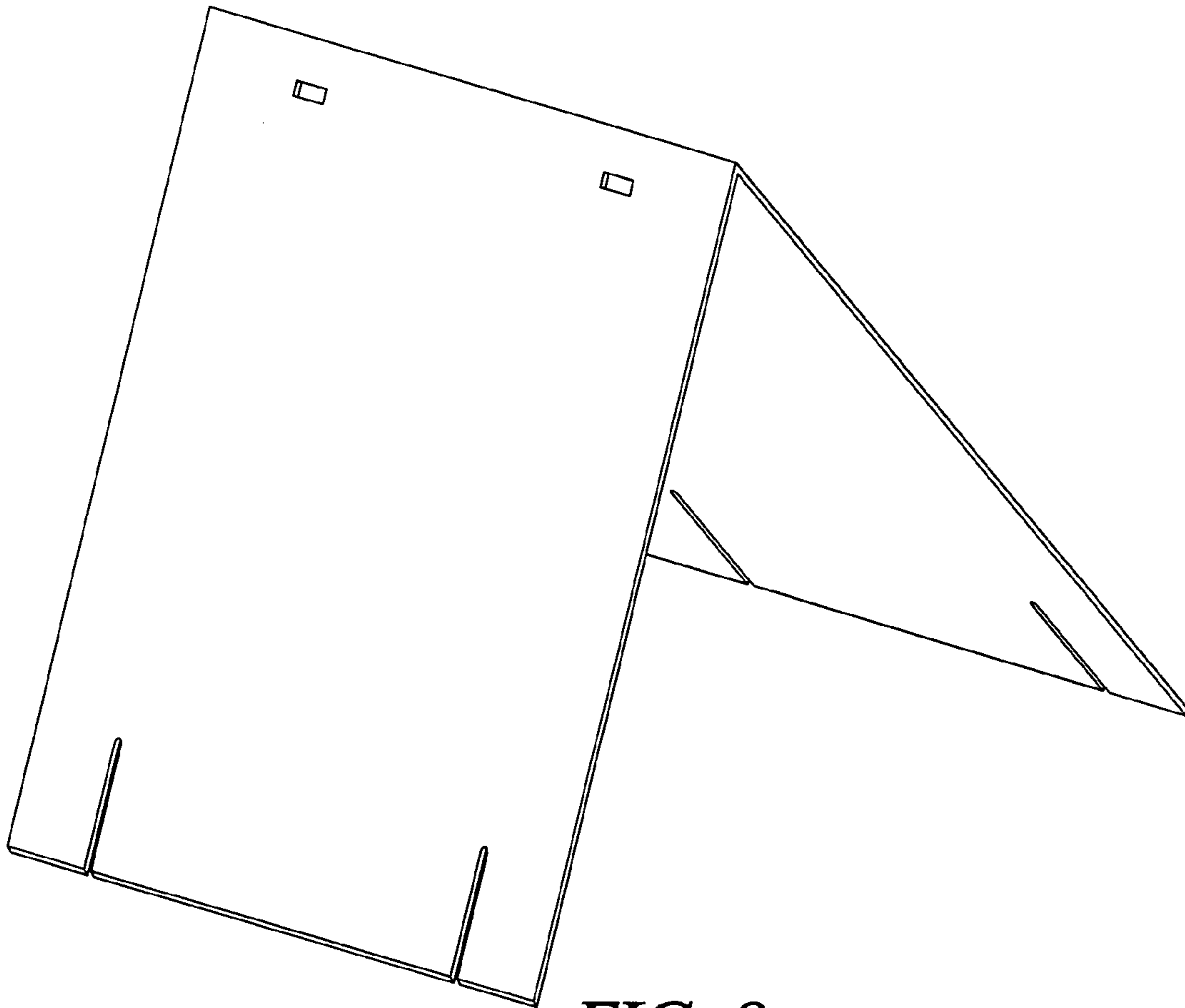


FIG. 8

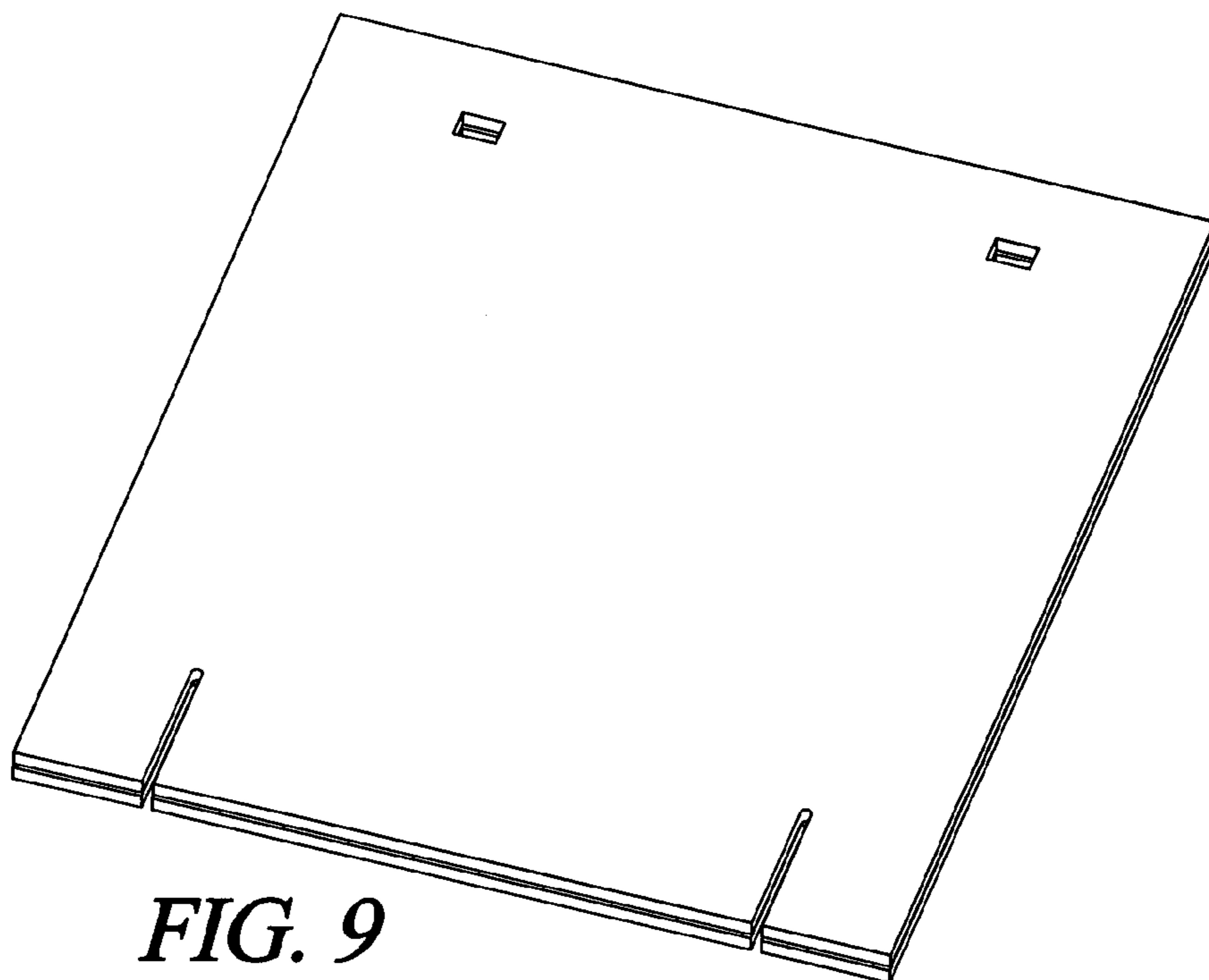


FIG. 9

FIG. 10

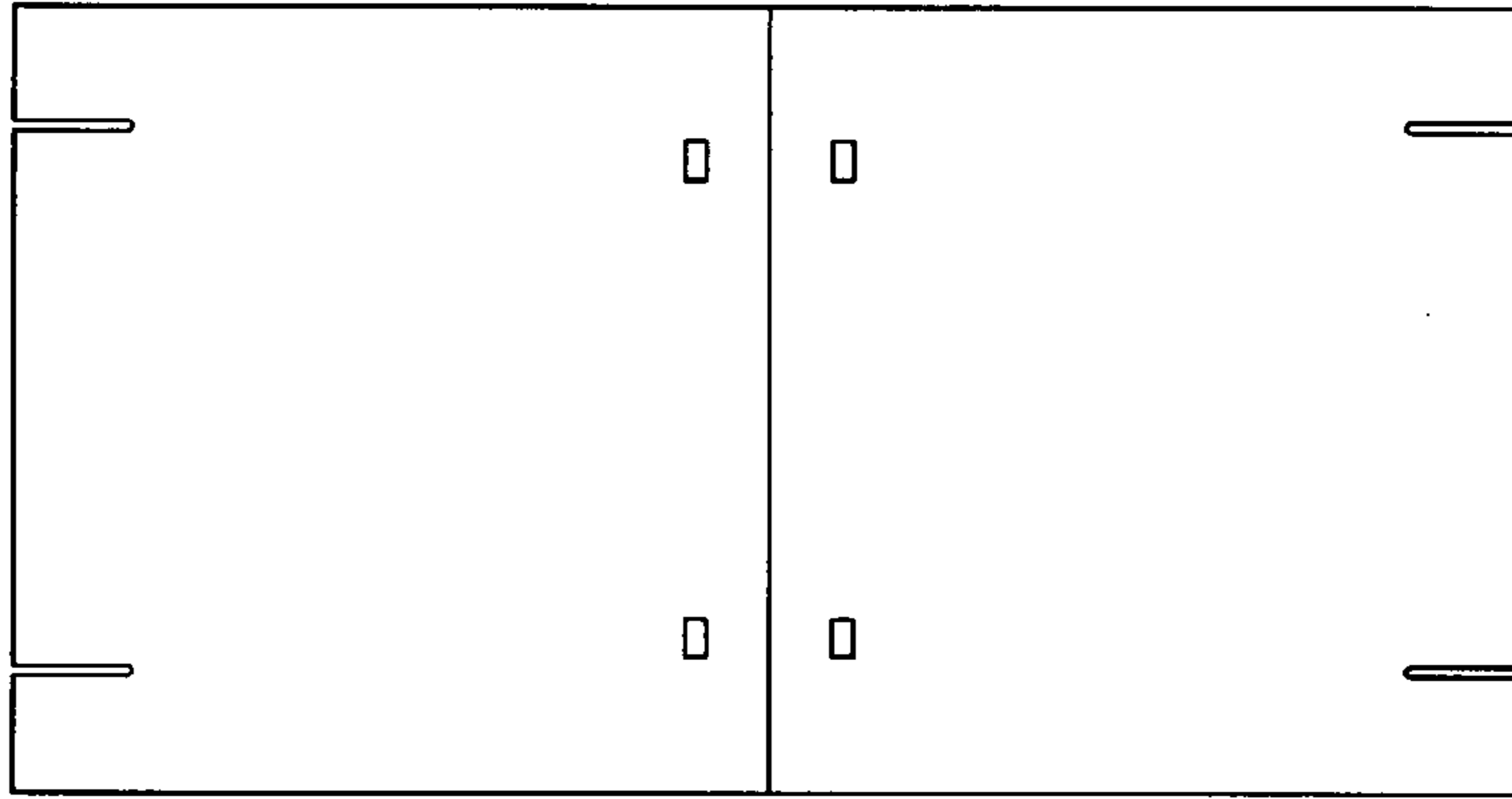


FIG. 11



FIG. 12



FIG. 13

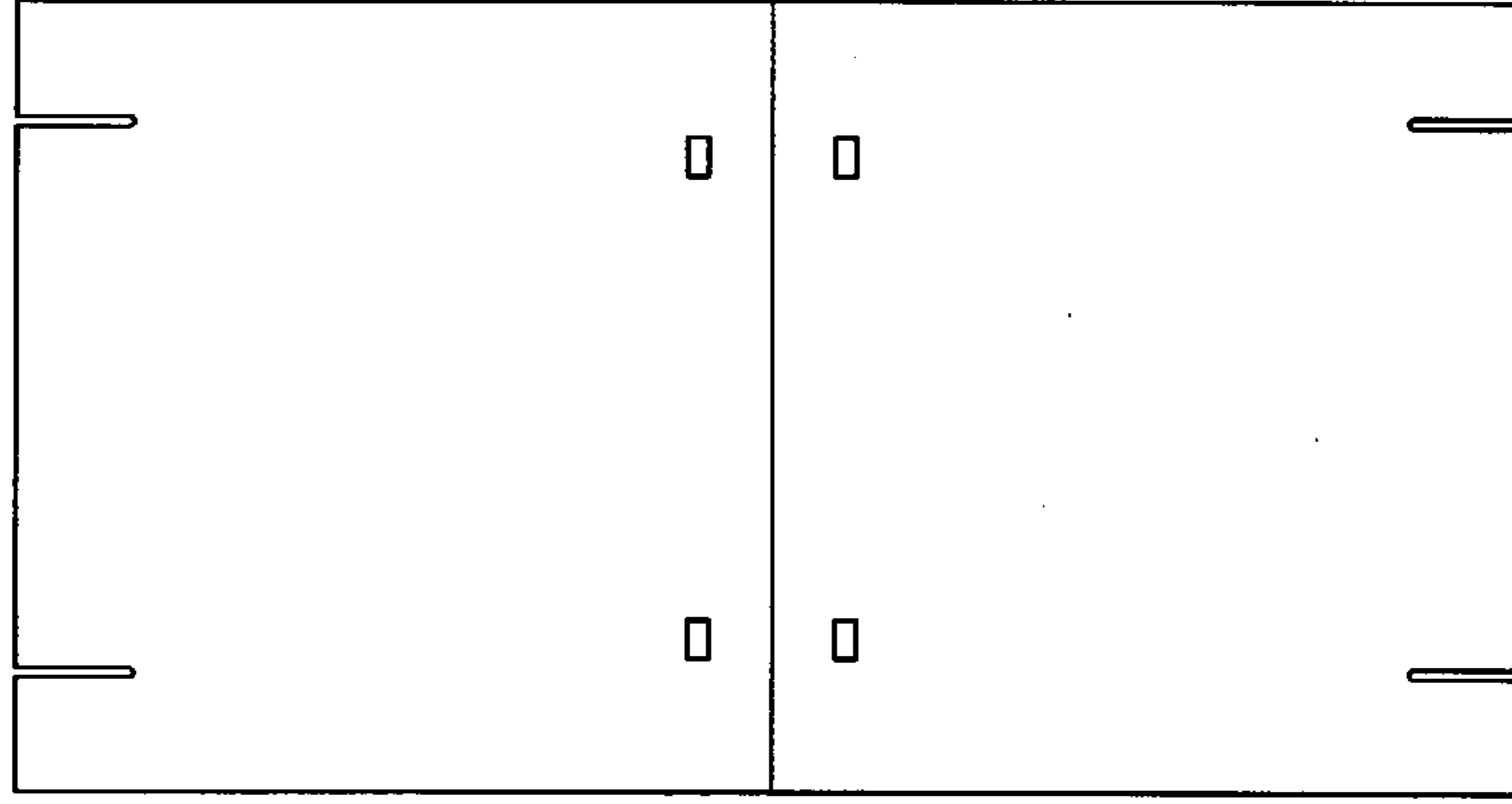


FIG. 14

FIG. 15



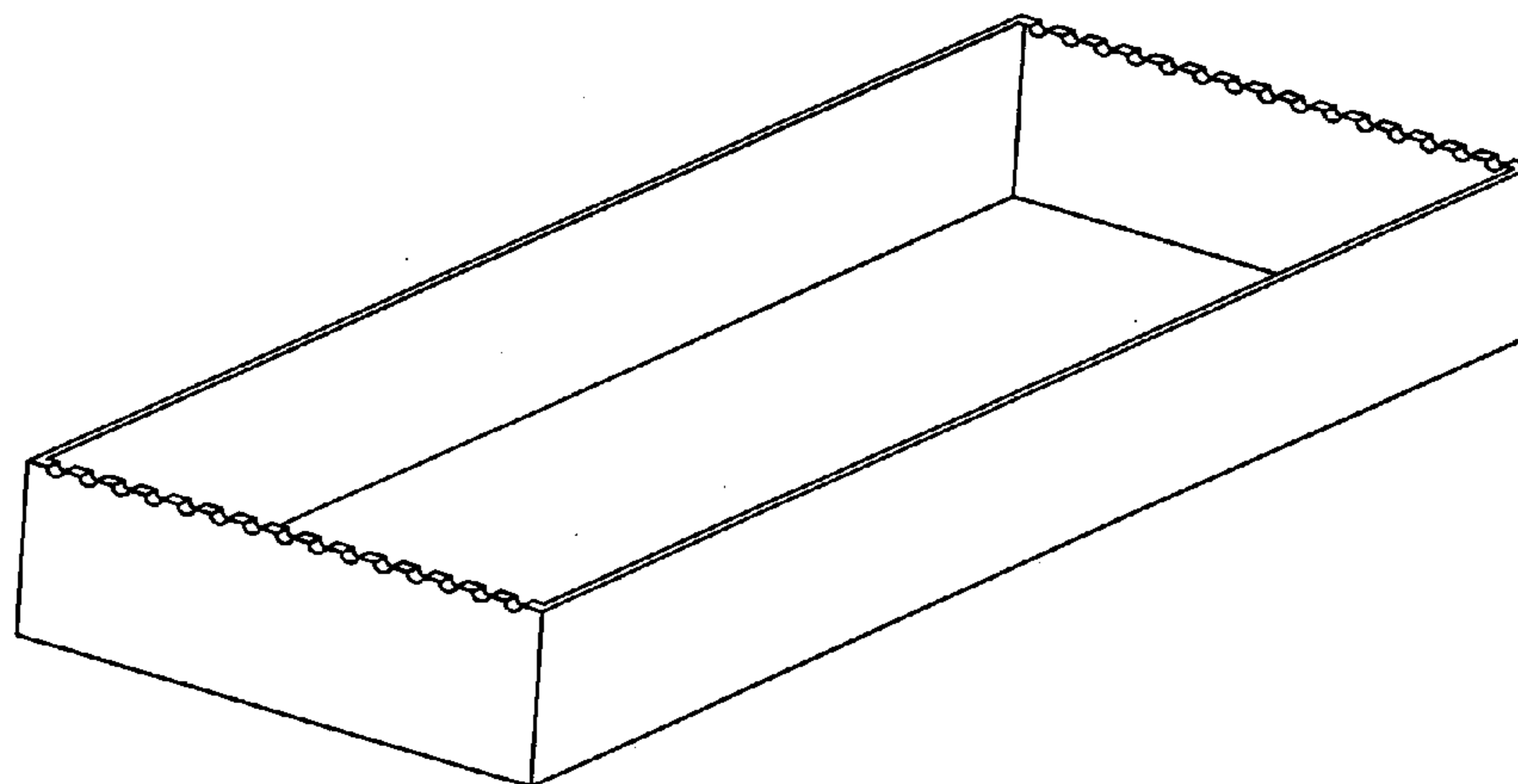


FIG. 16

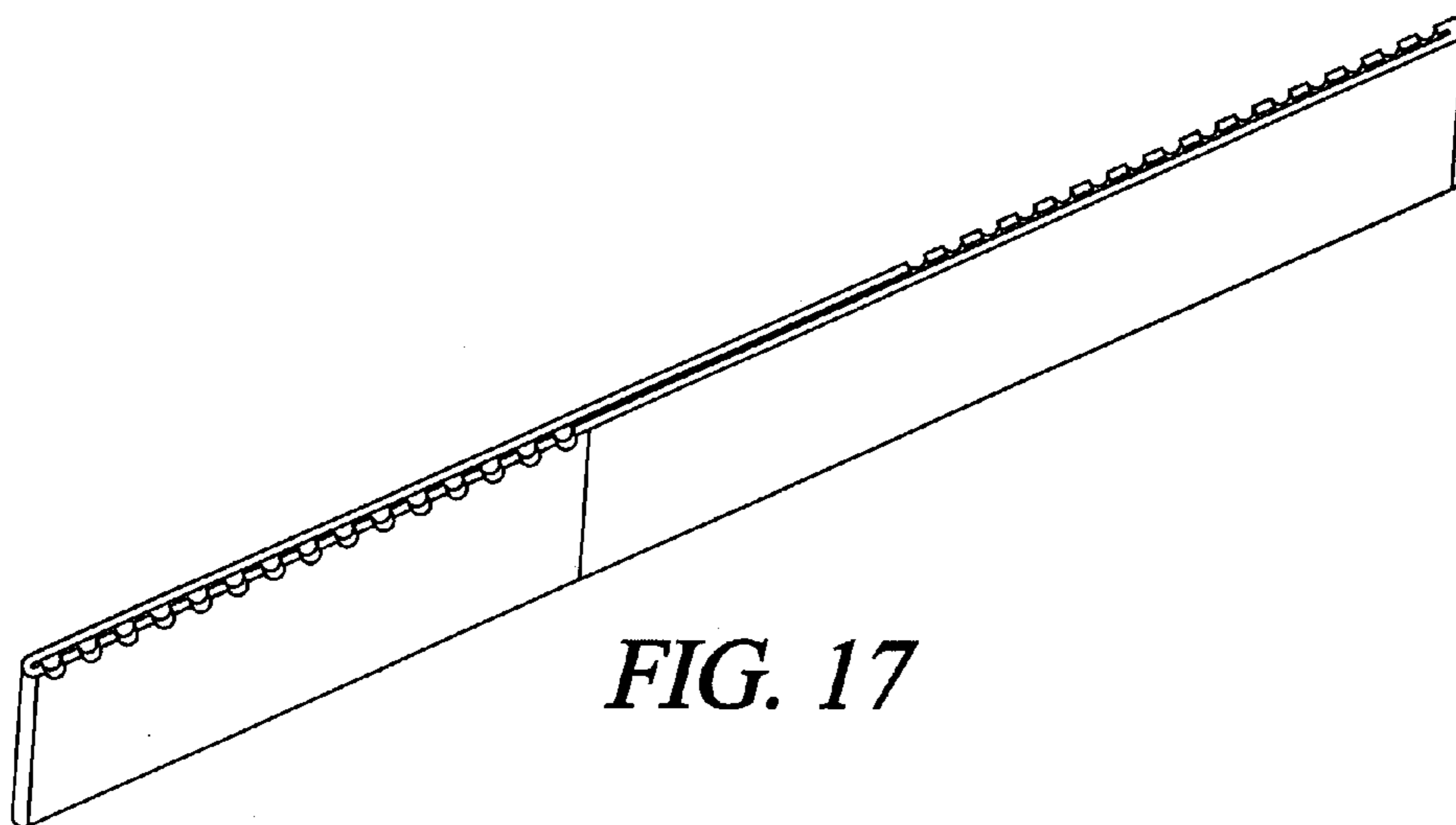


FIG. 17



FIG. 18

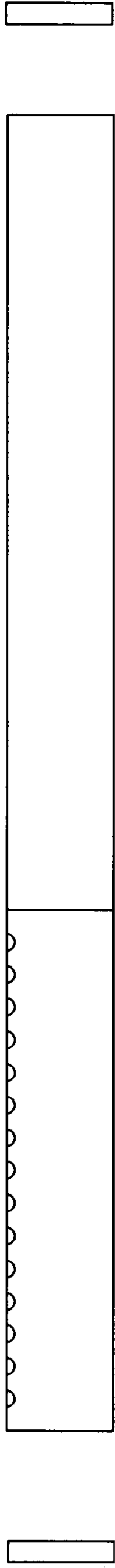


FIG. 19

FIG. 21

FIG. 20



FIG. 22



FIG. 23