



US00D557900S

(12) **United States Design Patent**
Sijmons

(10) **Patent No.:** **US D557,900 S**

(45) **Date of Patent:** **** Dec. 25, 2007**

(54) **CASTOR WHEEL ASSEMBLY FOR LUGGAGE**

(75) Inventor: **Erik Sijmons**, Oudenaarde (BE)

(73) Assignee: **Samsonite Corporation**, Mansfield, MA (US)

(**) Term: **14 Years**

(21) Appl. No.: **29/262,993**

(22) Filed: **Jul. 14, 2006**

(51) **LOC (8) Cl.** **03-01**

(52) **U.S. Cl.** **D3/318**

(58) **Field of Classification Search** D3/273, D3/276, 279, 320, 321, 318, 319, 272, 322; 190/18 A, 19, 100, 110, 24, 37; D12/317, D12/133; 248/346.11; 186/27; D34/12, D34/23, 24; D8/375; 16/45-47, 18 R
See application file for complete search history.

(56) **References Cited**

U.S. PATENT DOCUMENTS

2,272,270	A	2/1942	Krotz	
2,500,854	A *	3/1950	Mullen et al.	16/21
4,494,271	A *	1/1985	Perlin et al.	16/21
4,649,595	A	3/1987	Shane	
D349,043	S *	7/1994	Carlson et al.	D8/375
D438,382	S *	3/2001	Chang	D3/321
D439,410	S	3/2001	Chang	
D470,748	S *	2/2003	Tsai	D8/375

D476,484	S	7/2003	Santy et al.	
D487,348	S	3/2004	Fenton et al.	
D505,316	S *	5/2005	Topel	D8/375
D520,240	S *	5/2006	Karl	D3/318
D523,638	S	6/2006	Yonkman et al.	
7,065,828	B2 *	6/2006	Sorensen	16/45
7,195,322	B2 *	3/2007	Lin et al.	301/111.05
2003/0094554	A1 *	5/2003	Bushey	248/223.41

* cited by examiner

Primary Examiner—Stella M. Reid

Assistant Examiner—Kathleen Sims

(74) *Attorney, Agent, or Firm*—Gregory W. O'Connor

(57) **CLAIM**

The ornamental design for a castor wheel assembly for luggage, as shown and described.

DESCRIPTION

FIG. 1 is a perspective view showing the castor wheel assembly for luggage embodying my new design.

FIG. 2 is right side view of thereof.

FIG. 3 is a left side view thereof.

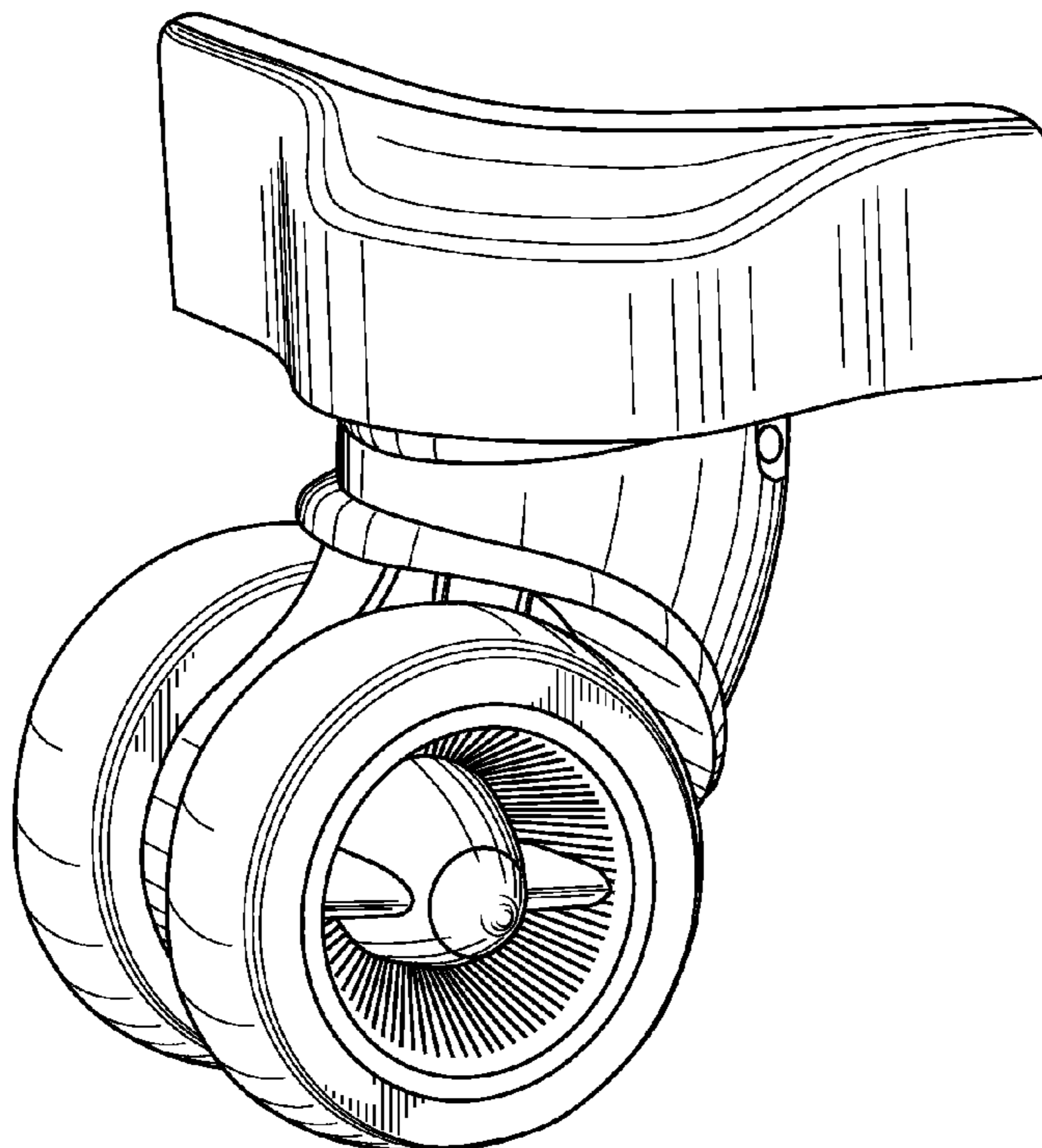
FIG. 4 is a front elevational view thereof.

FIG. 5 is a rear elevational view thereof.

FIG. 6 is a top view thereof; and,

FIG. 7 is a bottom view thereof.

1 Claim, 3 Drawing Sheets



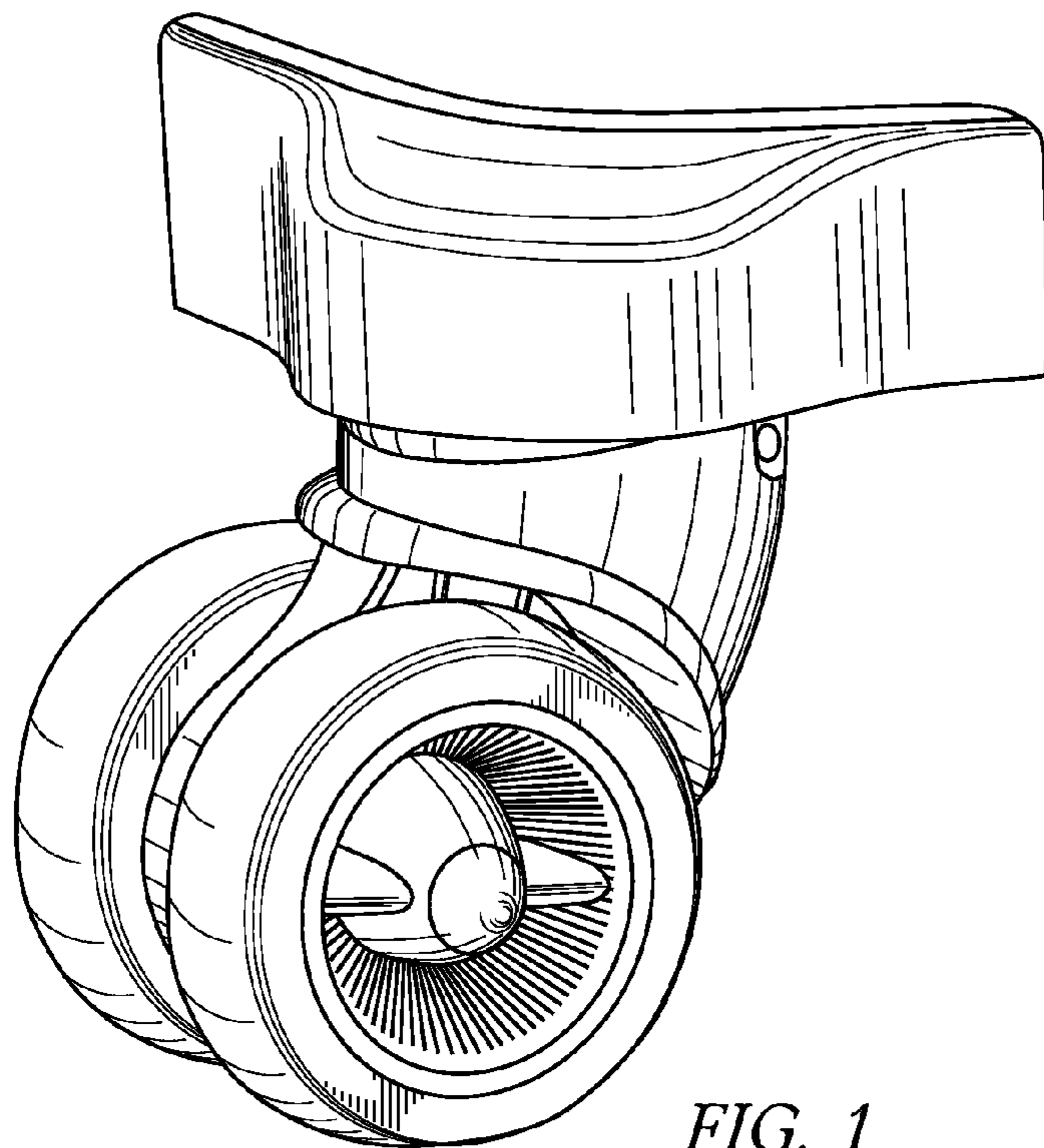


FIG. 1

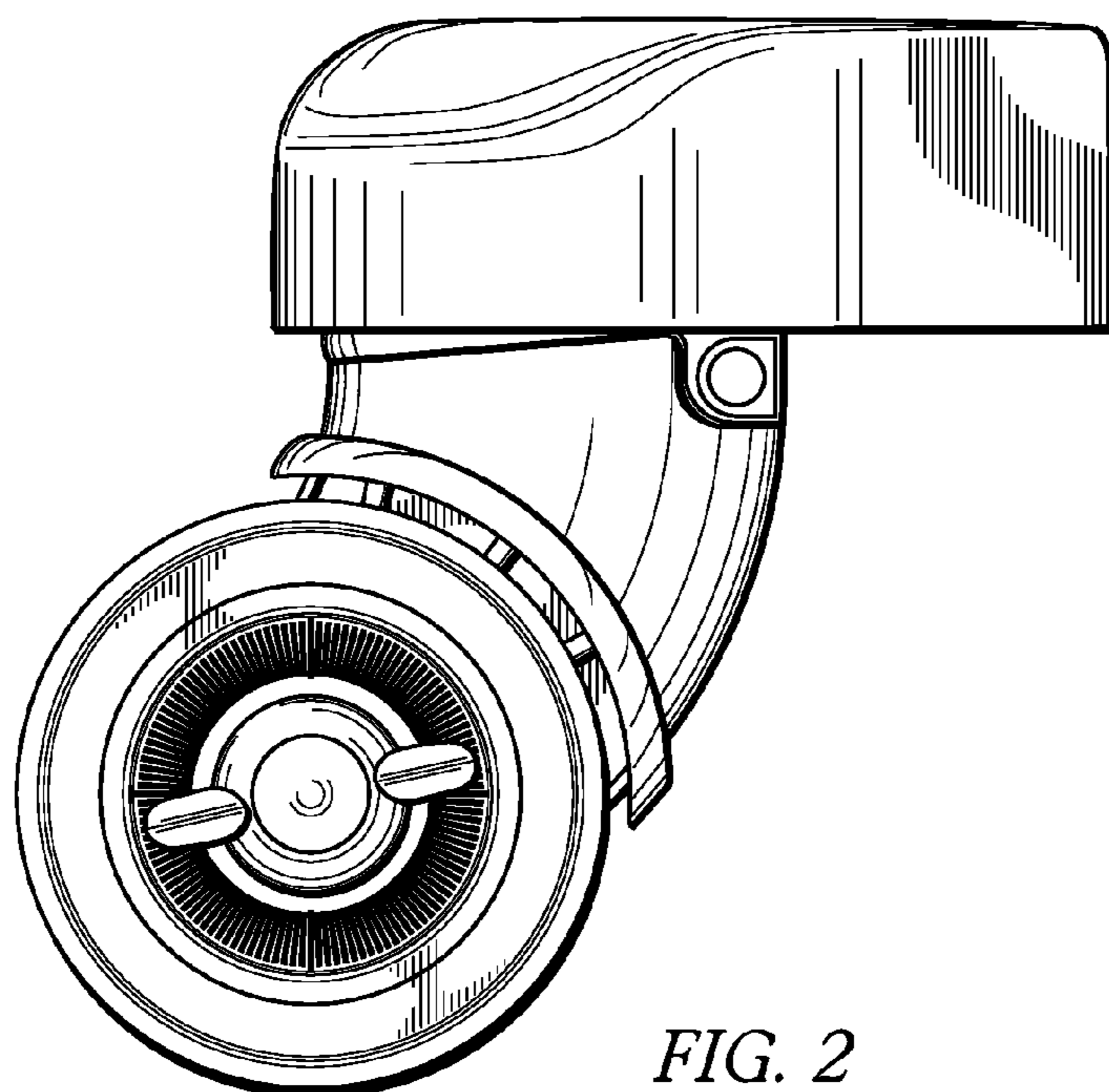


FIG. 2

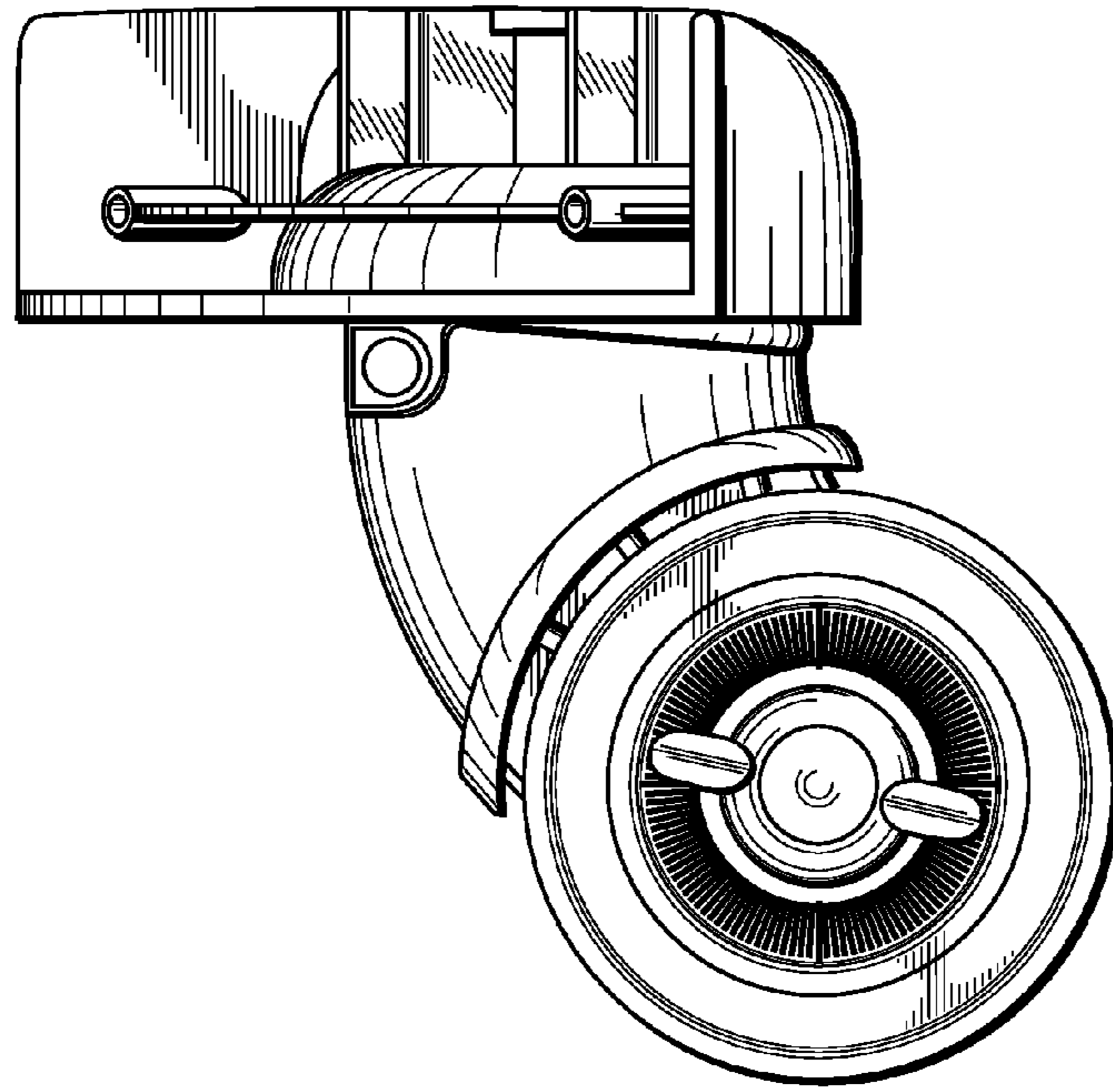


FIG. 3

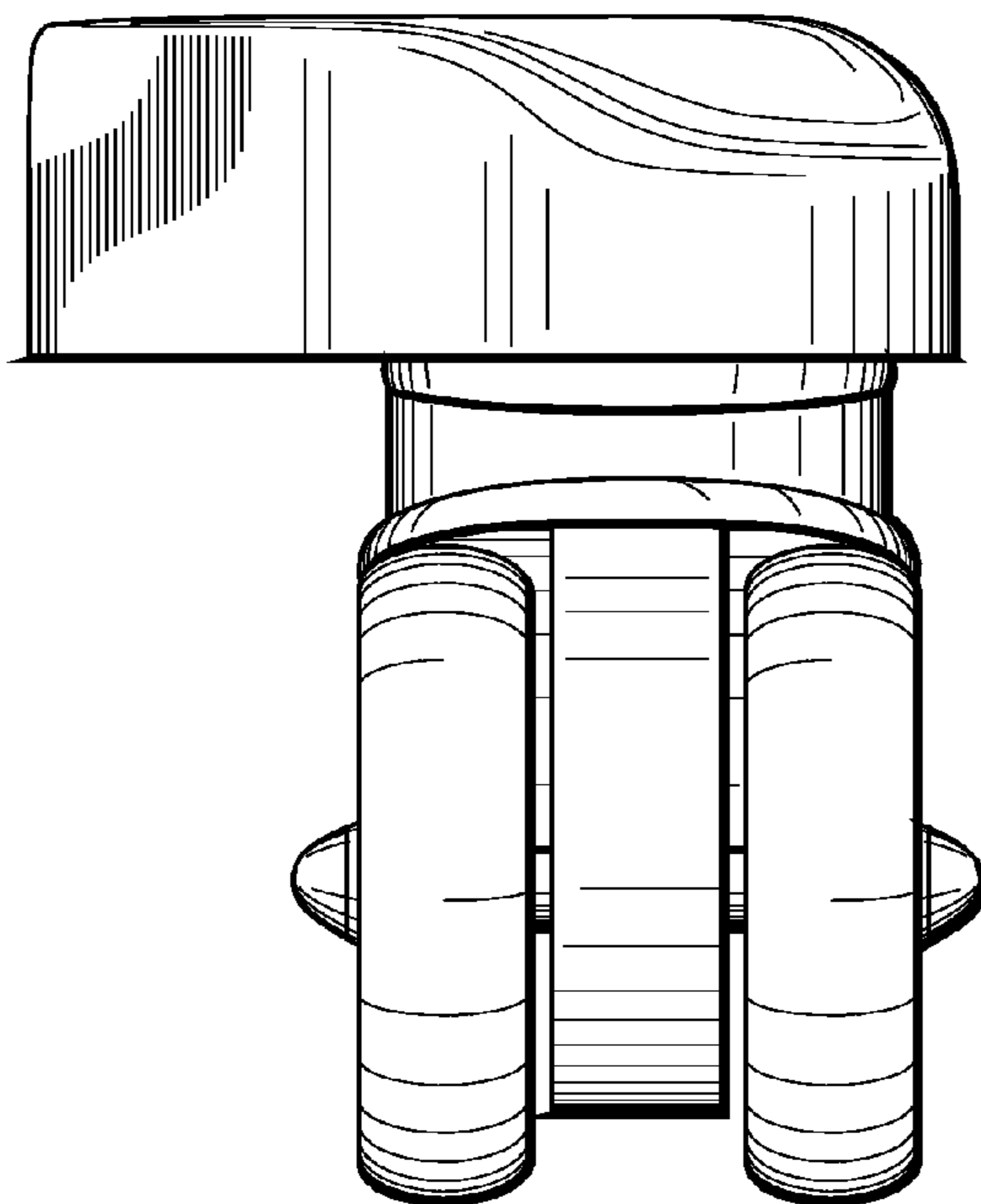


FIG. 4

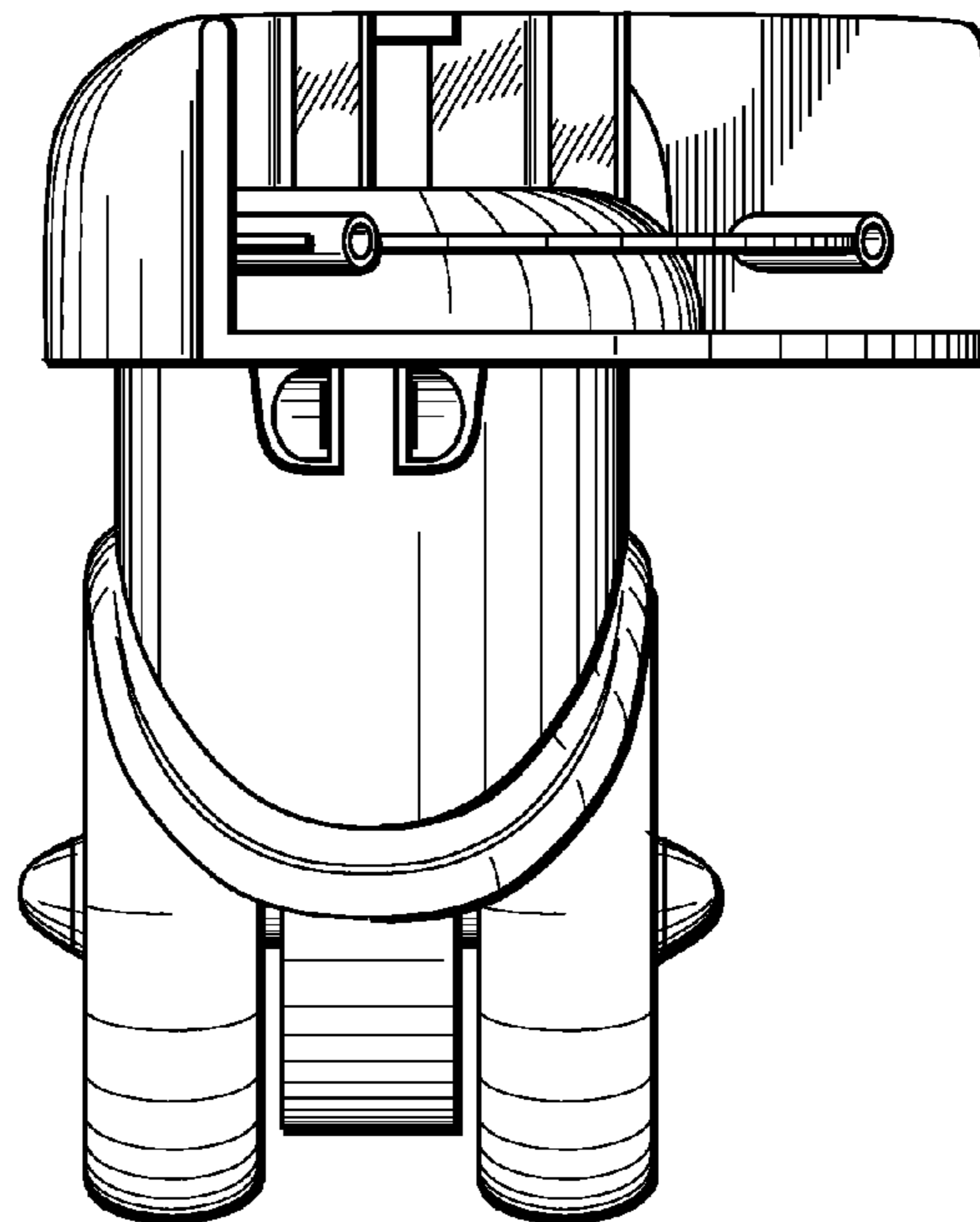


FIG. 5

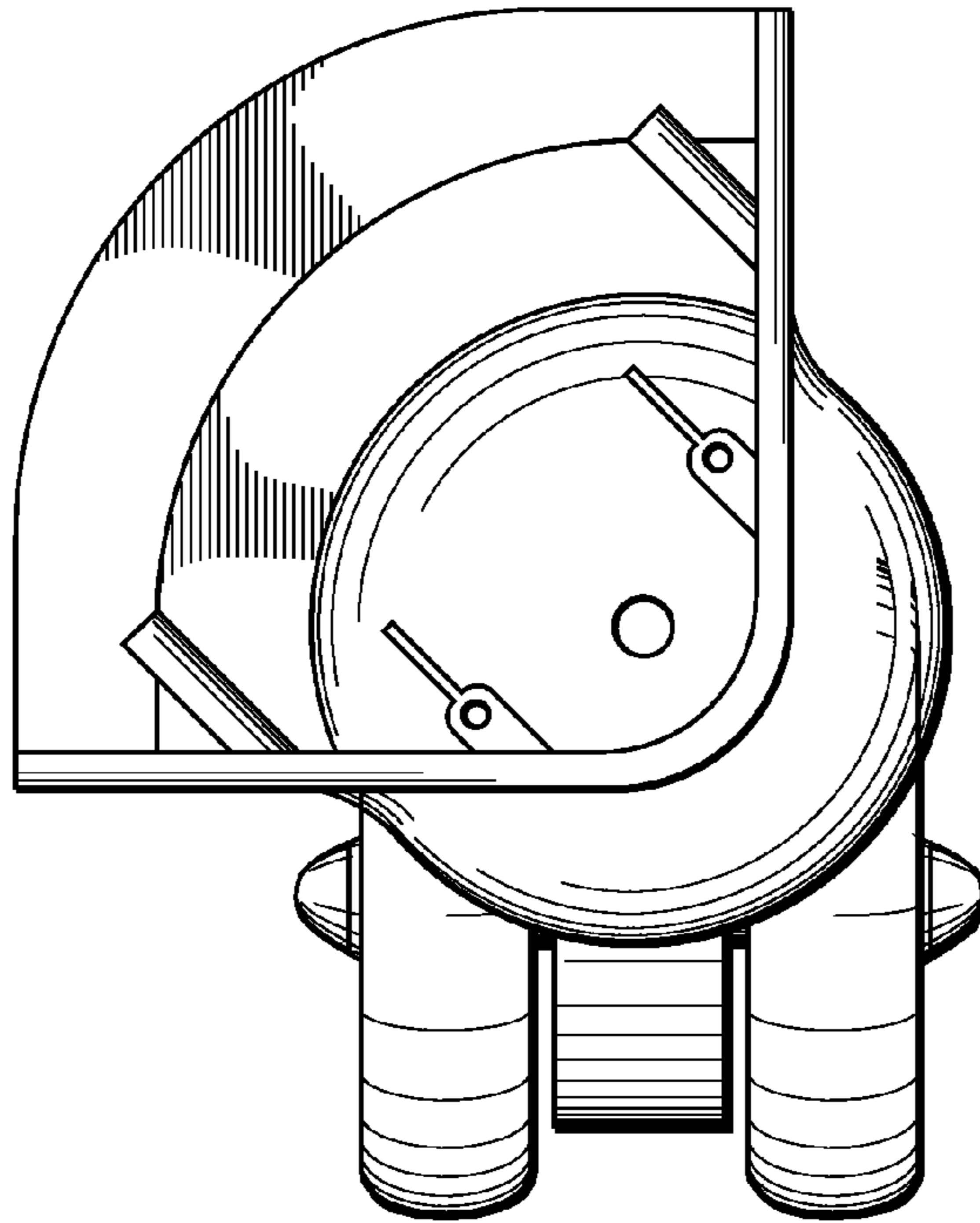


FIG. 6

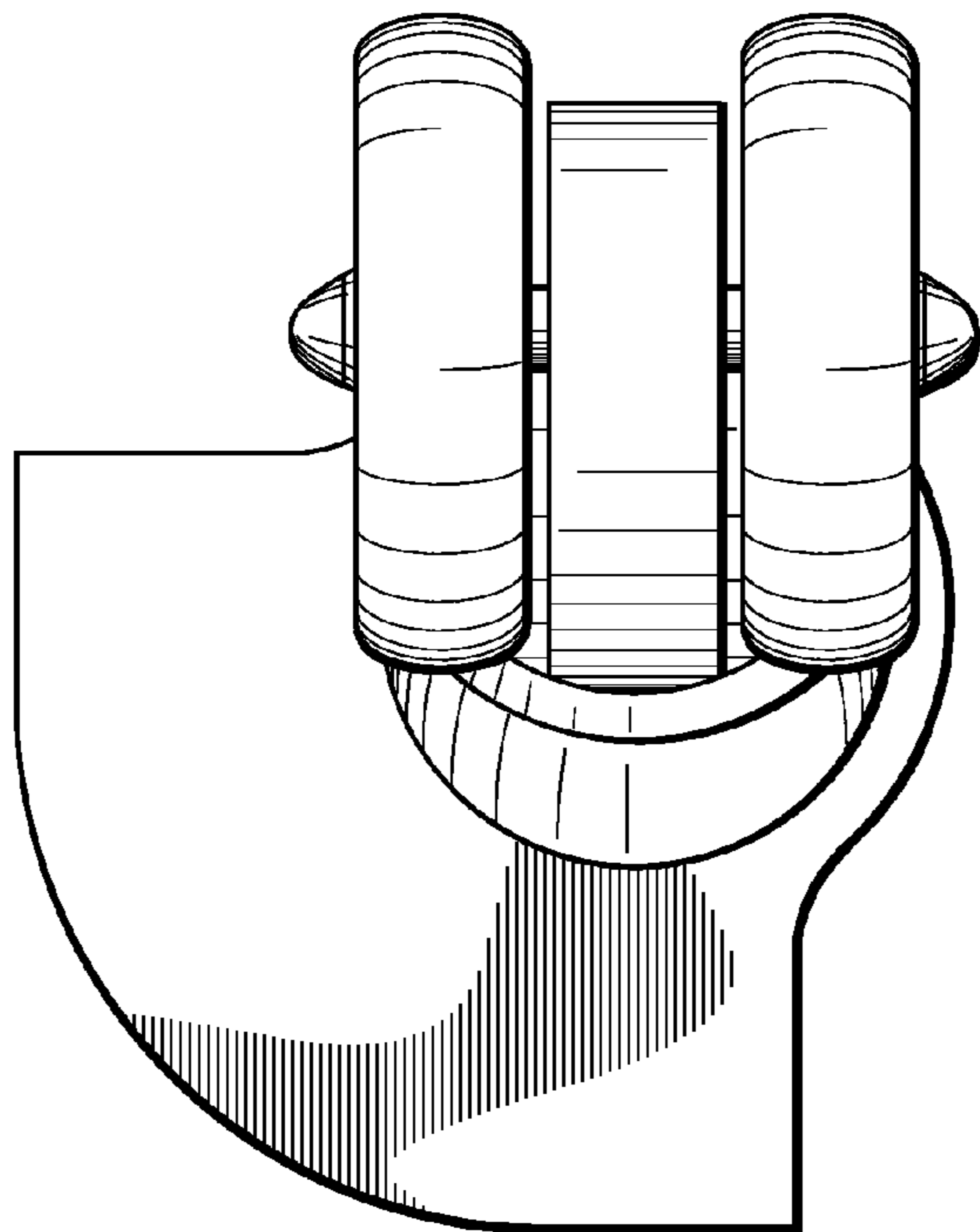


FIG. 7