



US00D557897S

(12) **United States Design Patent** (10) **Patent No.:** **US D557,897 S**
Richardson et al. (45) **Date of Patent:** **** Dec. 25, 2007**

(54) LAPTOP CASE	D318,373 S * 7/1991 Uke et al. D3/292
	5,092,459 A 3/1992 Uljanic et al.
(75) Inventors: Curtis R. Richardson , Fort Collins, CO (US); Alan Morine , Fort Collins, CO (US)	D327,646 S 7/1992 Hardigg et al.
	D329,747 S 9/1992 Embree
(73) Assignee: Otter Products, LLC , Fort Collins, CO (US)	D330,329 S 10/1992 Brightbill
	5,175,873 A 12/1992 Goldenberg et al.
(**) Term: 14 Years	D335,220 S 5/1993 Ward et al.
	D342,609 S 12/1993 Brightbill
(21) Appl. No.: 29/246,913	D347,324 S 5/1994 Dickinson
	D347,732 S 6/1994 Wentz
(22) Filed: May 19, 2006	D351,727 S * 10/1994 Tarozzi D3/276
	D353,048 S 12/1994 VanSkiver et al.

(Continued)

OTHER PUBLICATIONS

OtterBox Medium Laptop Case. Downloaded Jul. 13, 2007 at http://www.otterbox.com/products/pd_cases/laptop_case/.*

(Continued)

Primary Examiner—Philip S. Hyder
Assistant Examiner—RoseLynne (Ulm) Cody
(74) *Attorney, Agent, or Firm*—William W. Cochran;
Cochran Freund & Young LLC

Related U.S. Application Data

(63) Continuation-in-part of application No. 10/937,048, filed on Sep. 8, 2004, now Pat. No. 7,158,376, which is a continuation-in-part of application No. 10/645,439, filed on Aug. 20, 2003, now Pat. No. 6,995,976, which is a continuation of application No. 10/300,200, filed on Nov. 19, 2002, now Pat. No. 6,646,864.

(60) Provisional application No. 60/335,865, filed on Nov. 19, 2001.

(51) **LOC (8) Cl.** **03-01**

(52) **U.S. Cl.** **D3/294; D3/900**

(58) **Field of Classification Search** D3/273, D3/276, 287, 292, 294, 321, 900; D14/315, D14/328, 341, 345, 440; 190/100, 109–110, 190/114–115, 119, 120–122, 127, 900–901; 206/305, 320

See application file for complete search history.

(57) **CLAIM**

The ornamental design for a laptop case, as shown and described.

DESCRIPTION

FIG. 1 is an isometric view of a laptop case showing my new design.

FIG. 2 is a front view thereof.

FIG. 3 is a top view thereof.

FIG. 4 is a left side view thereof.

FIG. 5 is a right side view thereof.

FIG. 6 is a rear side view thereof; and,

FIG. 7 is a bottom view thereof.

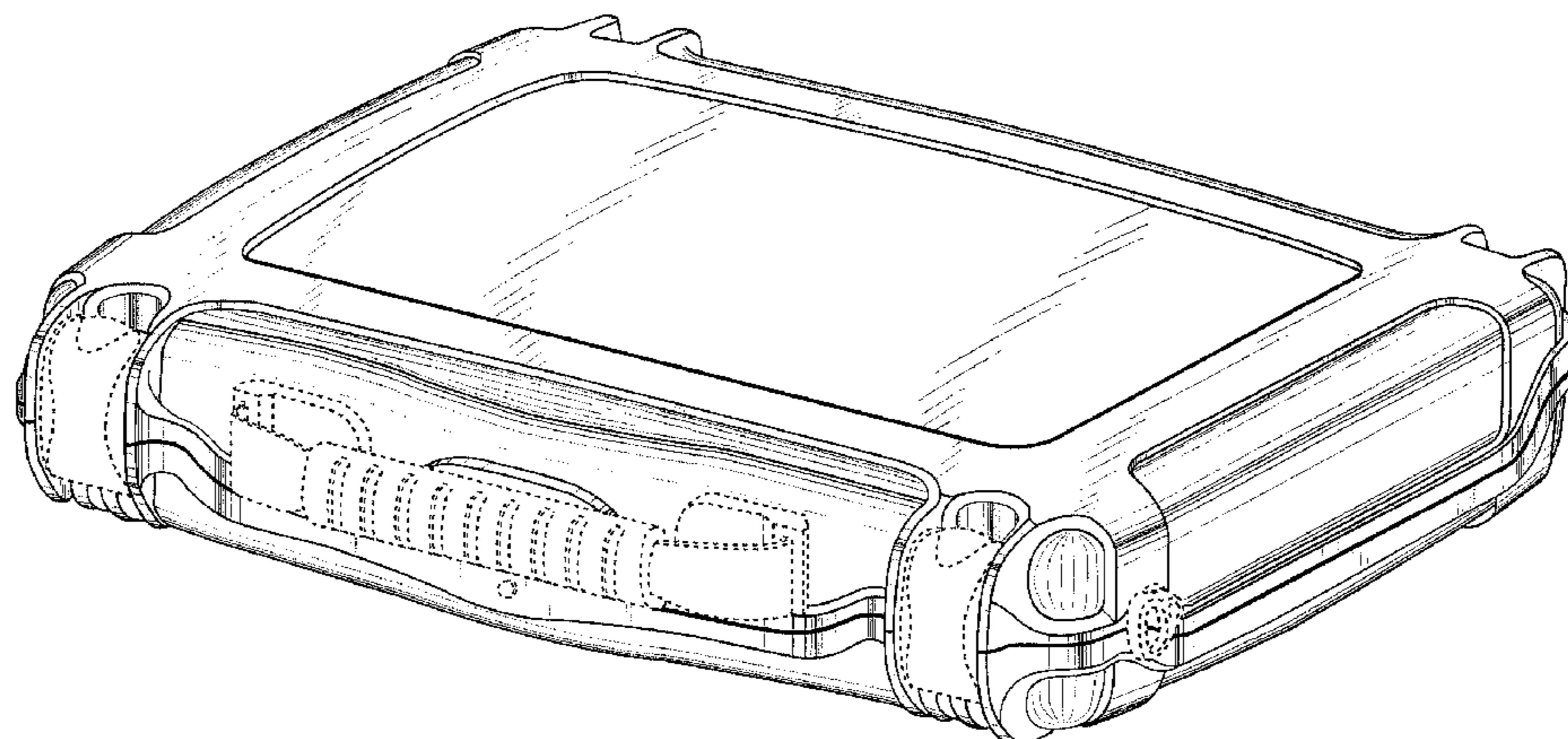
The broken line portions of the disclosure are for illustrative purposes only and form no part of the claimed design.

1 Claim, 7 Drawing Sheets

(56) **References Cited**

U.S. PATENT DOCUMENTS

2,392,787 A	1/1946	Vermont
D216,853 S	3/1970	Schurman
D220,233 S	3/1971	Schurman
3,590,988 A	7/1971	Hollar
D275,822 S	10/1984	Gatland et al.
4,703,161 A	10/1987	McLean
4,762,227 A	8/1988	Patterson



US D557,897 S

Page 2

U.S. PATENT DOCUMENTS

D381,512 S	7/1997	Green	D472,384 S	4/2003	Richardson	
D386,611 S	11/1997	Sheu	6,585,090 B2 *	7/2003	Harvey	190/108
D402,105 S	12/1998	Erickson	6,614,722 B2	9/2003	Polany et al.	
D409,374 S	5/1999	Laba et al.	6,646,864 B2	11/2003	Richardson et al.	
D412,062 S	7/1999	Potter et al.	6,659,274 B2	12/2003	Enners	
D413,202 S	8/1999	Schmitt et al.	6,665,174 B1	12/2003	Derr et al.	
D413,203 S	8/1999	Zurwelle et al.	6,698,608 B2 *	3/2004	Parker et al.	220/4.22
D419,297 S	1/2000	Richardson et al.	6,953,126 B2 *	10/2005	Parker et al.	220/4.22
D419,767 S	2/2000	Richardson et al.	D513,123 S	12/2005	Richardson et al.	
D419,768 S	2/2000	Richardson et al.	D513,451 S	1/2006	Richardson et al.	
6,031,524 A	2/2000	Kunert	D514,808 S	2/2006	Morine et al.	
6,041,924 A	3/2000	Tajima	6,995,976 B2	2/2006	Richardson	
6,049,813 A	4/2000	Danielson et al.	D516,309 S	3/2006	Richardson et al.	
D423,772 S	5/2000	Cooper et al.	D516,553 S	3/2006	Richardson et al.	
6,068,119 A	5/2000	Derr et al.	D516,554 S	3/2006	Richardson et al.	
D429,884 S	8/2000	Zurwelle et al.	D516,807 S	3/2006	Richardson et al.	
6,094,785 A	8/2000	Montgomery et al.	D520,237 S *	5/2006	Cheng	D3/276
D433,798 S	11/2000	Weinstock	D526,780 S	8/2006	Richardson et al.	
D439,407 S	3/2001	Parker	D530,079 S	10/2006	Richardson et al.	
6,215,474 B1	4/2001	Shah	D538,801 S *	3/2007	Taylor	D14/341
D441,954 S	5/2001	Parker	D543,700 S *	6/2007	Parker et al.	D3/294
6,239,968 B1	5/2001	Kim et al.	2002/0101707 A1	8/2002	Canova et al.	
D443,133 S	6/2001	Richardson et al.	2003/0217940 A1 *	11/2003	Russell et al.	206/320
6,273,252 B1	8/2001	Mitchell	2004/0112776 A1 *	6/2004	Lord	206/320
6,301,100 B1	10/2001	Iwata	2004/0120219 A1	6/2004	Polany et al.	
6,313,892 B2	11/2001	Gleckman	2005/0174727 A1	8/2005	Richardson	
6,317,313 B1	11/2001	Mosgrove et al.				
6,388,877 B1	5/2002	Canova, Jr. et al.				
6,396,769 B1	5/2002	Polany				
D459,885 S *	7/2002	Hart				D3/282
6,415,138 B2	7/2002	Sirola et al.				
D462,519 S *	9/2002	Gaydos et al.				D3/276
6,445,577 B1	9/2002	Madsen et al.				
6,456,487 B1	9/2002	Hetterick				
D464,196 S	10/2002	Parker				
6,471,056 B1	10/2002	Tzeng				
D465,330 S	11/2002	Parker				
D467,426 S *	12/2002	Hardigg et al.				D3/279
D470,659 S	2/2003	Story et al.				
6,519,141 B2	2/2003	Tseng et al.				
6,525,928 B1	2/2003	Madsen et al.				
6,536,589 B2	3/2003	Chang				

OTHER PUBLICATIONS

SKB Waterporrof Laptio Case at Rackmont Solutions. Downloaded Jul. 13, 2007 at http://www.rackmountsolutions.net/SKB_Military_Standard_Laptop_cases.asp.*
U.S. Appl. No. 29/211,554, Richardson et al.
U.S. Appl. No. 11/270,732, Richardson et al.
U.S. Appl. No. 10/937,048, Richardson et al.
U.S. Appl. No. 11/077,963, Richardson et al.
U.S. Appl. No. 11/466,342, Richardson et al.
U.S. Appl. No. 60/805,833, Richardson et al.
U.S. Appl. No. 60/807,726, Richardson et al.
U.S. Appl. No. 29/246,914, Richardson et al.
U.S. Appl. No. 11/456,157, Richardson et al.
U.S. Appl. No. 29/246,912, Richardson et al.

* cited by examiner

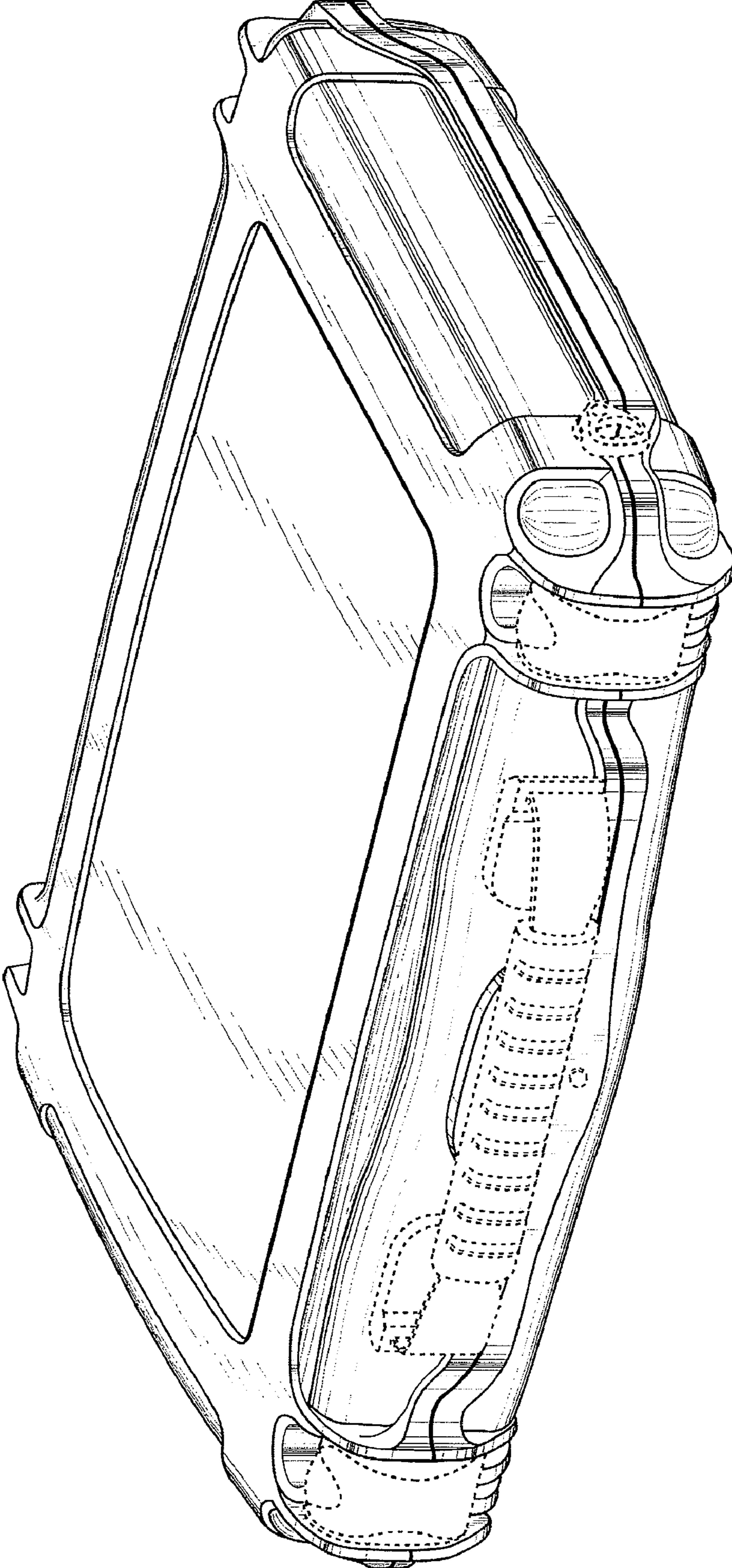


FIG. 1

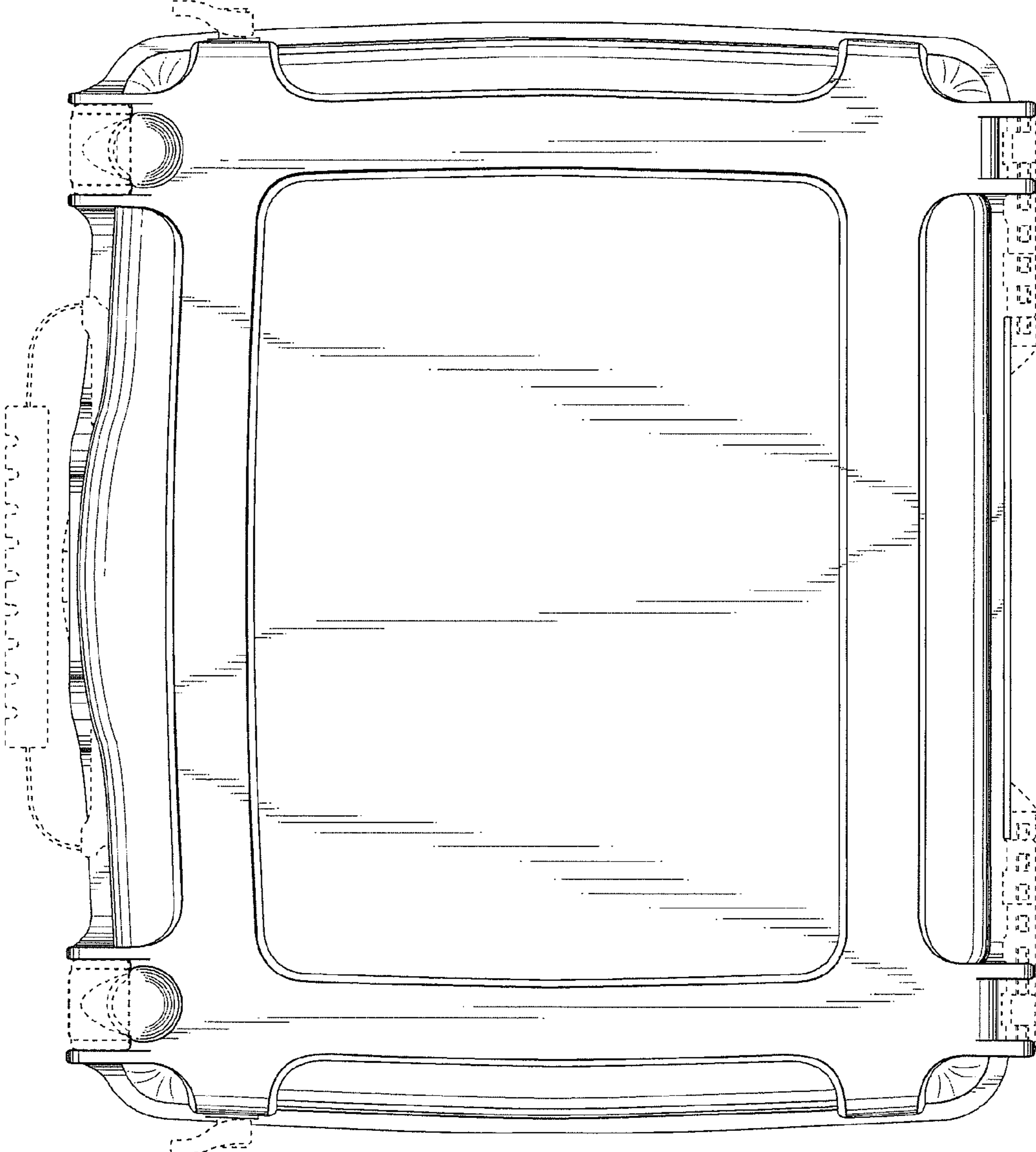


FIG. 2

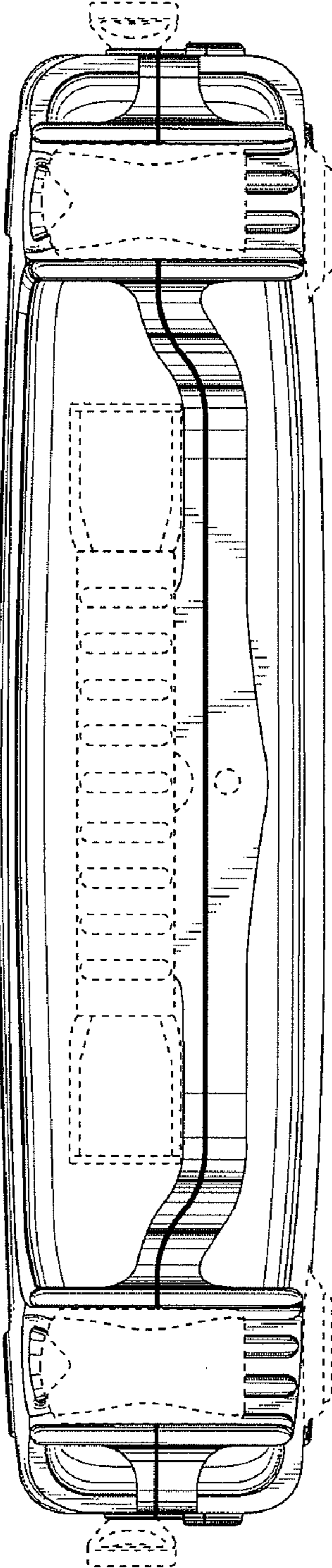


FIG. 3

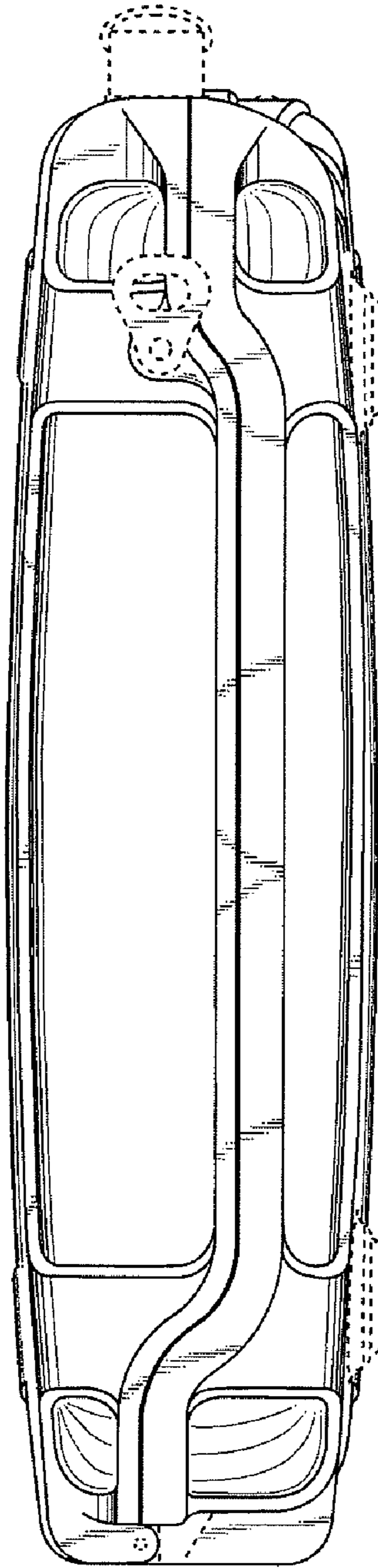


FIG. 4

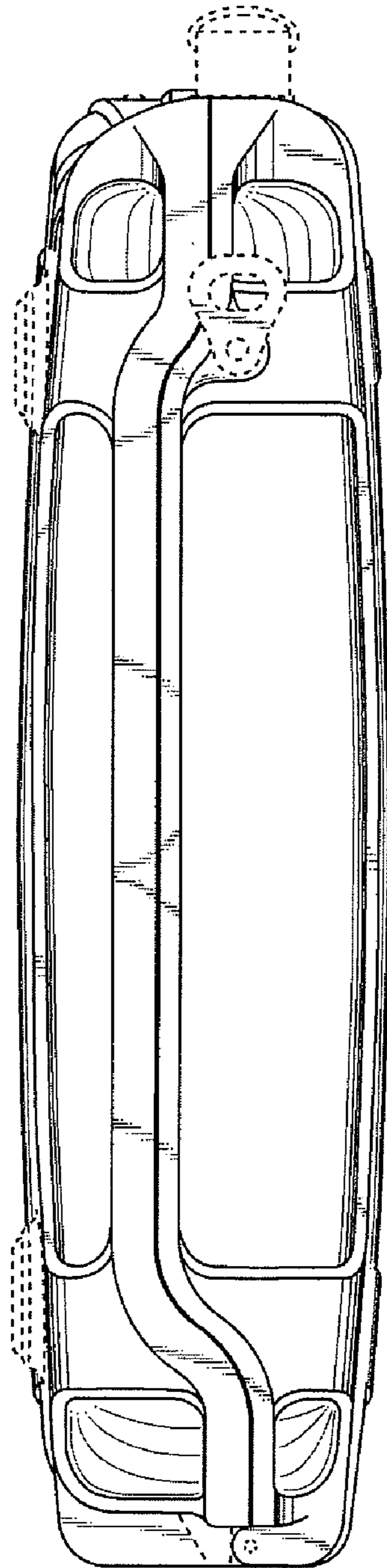


FIG. 5

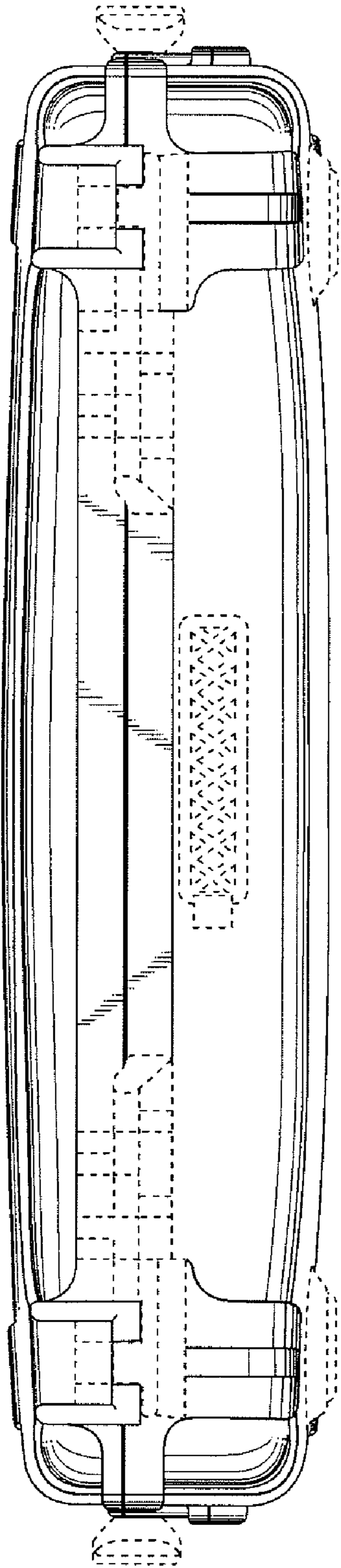


FIG. 6

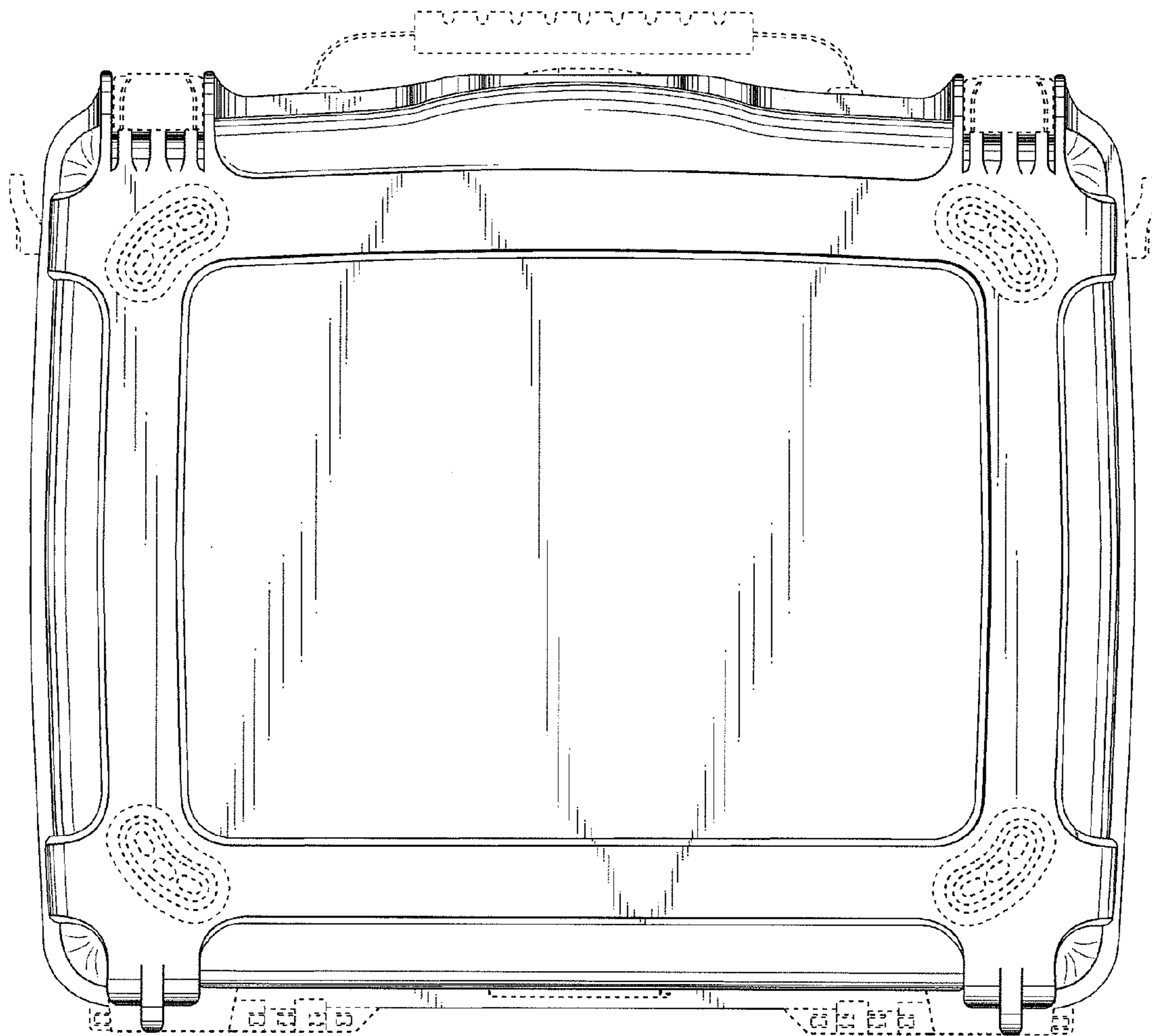


FIG. 7