



US00D557896S

(12) **United States Design Patent**  
**Duchaine**

(10) **Patent No.:** **US D557,896 S**

(45) **Date of Patent:** **\*\* Dec. 25, 2007**

(54) **HEART-SHAPED BOX**

(76) **Inventor:** **Hélène Duchaine**, P.O. Box 713,  
Prescott, Ontario (CA) K0E 1T0

(\*\*) **Term:** **14 Years**

(21) **Appl. No.:** **29/261,293**

(22) **Filed:** **Jun. 12, 2006**

(51) **LOC (8) Cl.** ..... **03-01**

(52) **U.S. Cl.** ..... **D3/271.1; D3/294; D3/903**

(58) **Field of Classification Search** ..... **D3/201,**  
**D3/211-212, 270, 271.1, 271.3, 273-274,**  
**D3/294, 903; D9/423, 600, 629; 206/6.1,**  
**206/457, 822; 229/116.2**

See application file for complete search history.

(56) **References Cited**

**U.S. PATENT DOCUMENTS**

D142,996 S *	11/1945	Forman	.....	D9/629
D169,367 S *	4/1953	Ferraro	.....	D9/629
D259,153 S *	5/1981	Valente	.....	D3/270
D296,762 S	7/1988	Sato		
D296,871 S *	7/1988	Sato	.....	D9/629
D328,817 S *	8/1992	Holland	.....	D3/270
6,322,245 B1 *	11/2001	Cooper	.....	368/276
6,402,584 B1 *	6/2002	Dear	.....	446/487
D508,166 S *	8/2005	Liu	.....	D3/271.1
D525,429 S *	7/2006	Lalwani	.....	D3/271.1
D530,086 S *	10/2006	Lalwani	.....	D3/271.1
2007/0119210 A1 *	5/2007	Azar	.....	63/3

\* cited by examiner

*Primary Examiner*—Philip S. Hyder  
*Assistant Examiner*—R. L. (Ulm) Cody

(74) *Attorney, Agent, or Firm*—Bliss McGlynn, P.C.

(57) **CLAIM**

The ornamental design for a heart-shaped box, as shown and described.

**DESCRIPTION**

FIG. 1 is a perspective view from the front and side of a heart-shaped box of the present design, in a closed position; FIG. 2 is a top view of the heart-shaped box of FIG. 1, in a closed position;

FIG. 3 is a side view of the heart-shaped box of FIG. 1, in a closed position;

FIG. 4 is a side view of the heart-shaped box of FIG. 1, in a closed position;

FIG. 5 is a front view of the heart-shaped box of FIG. 1, in a closed position;

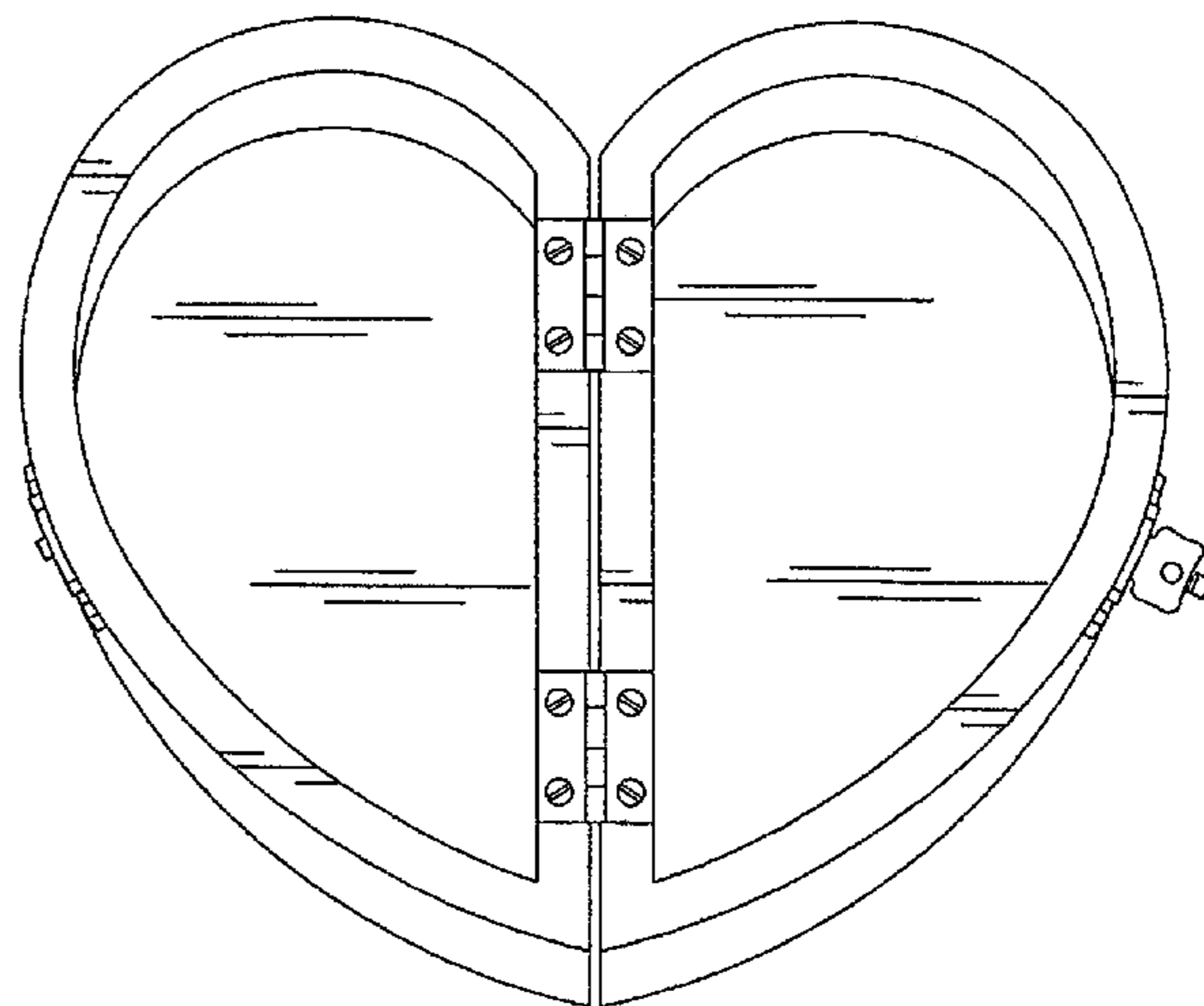
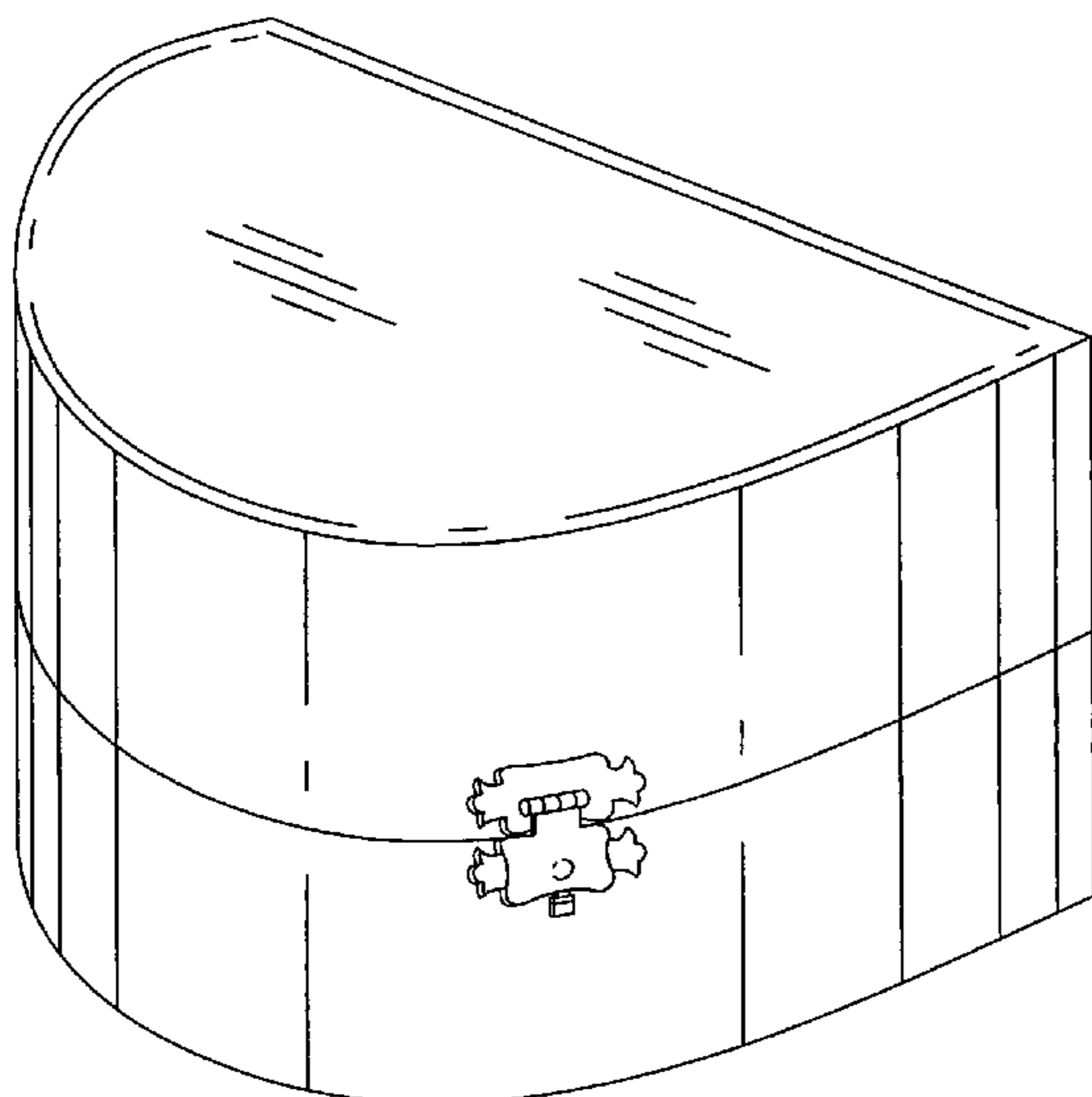
FIG. 6 is a rear view of the heart-shaped box of FIG. 1, in a closed position;

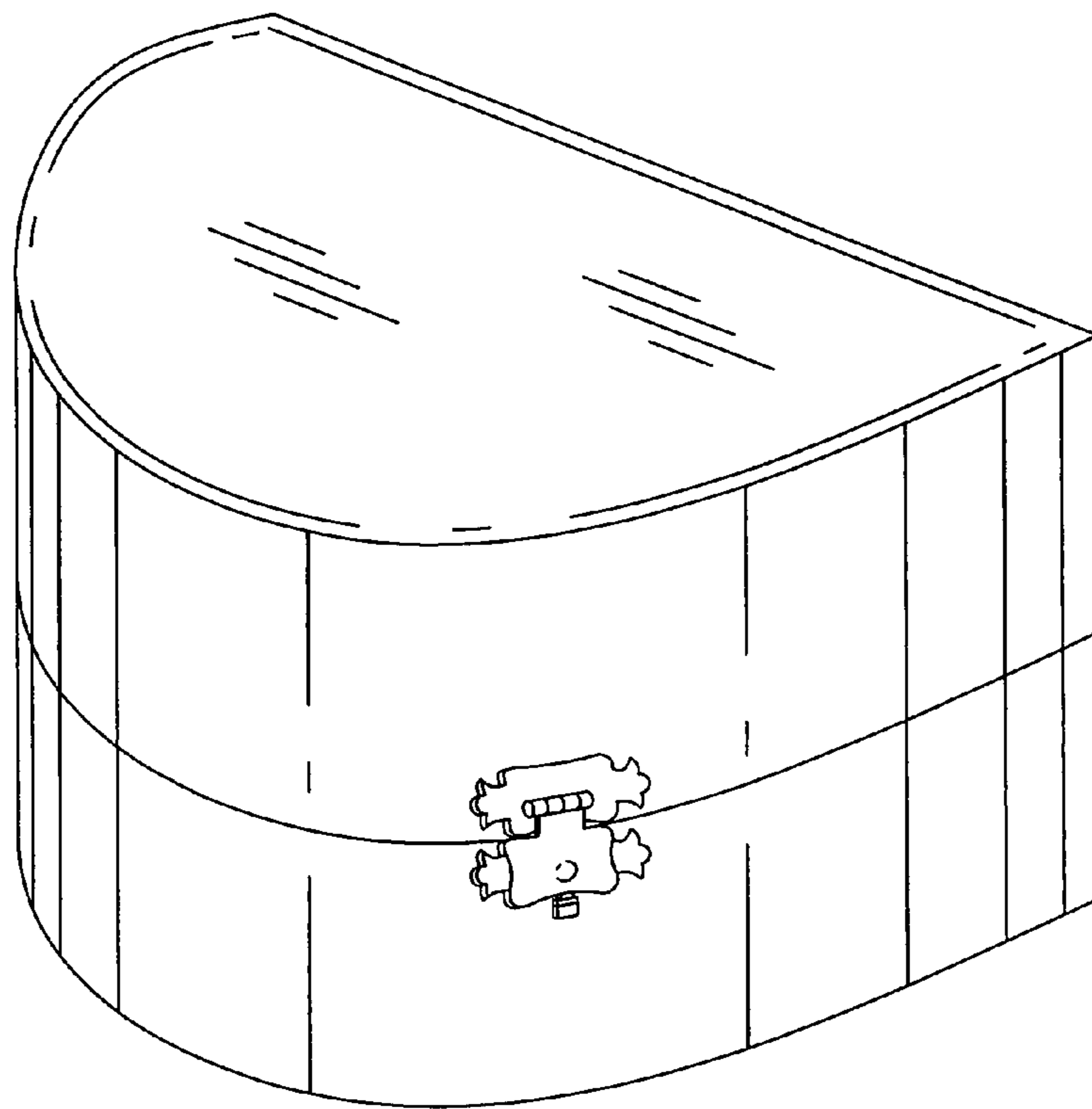
FIG. 7 is a bottom view of the heart-shaped box of FIG. 1, in a closed position;

FIG. 8 is a perspective view from the front and side of the heart-shaped box of FIG. 1, in a partially open position; and,

FIG. 9 is a perspective view from the top and front of the heart-shaped box of FIG. 1, in an open position.

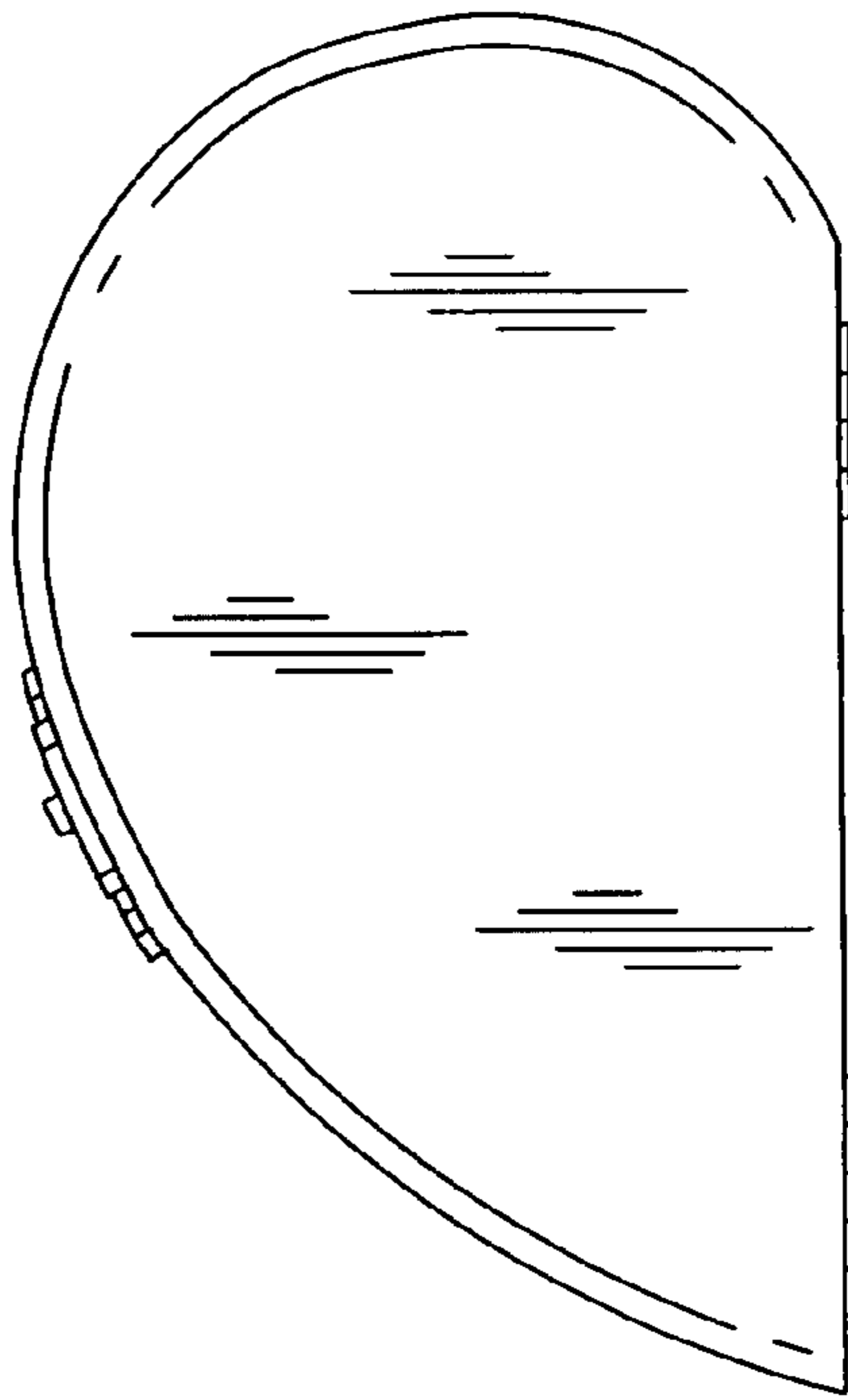
**1 Claim, 5 Drawing Sheets**



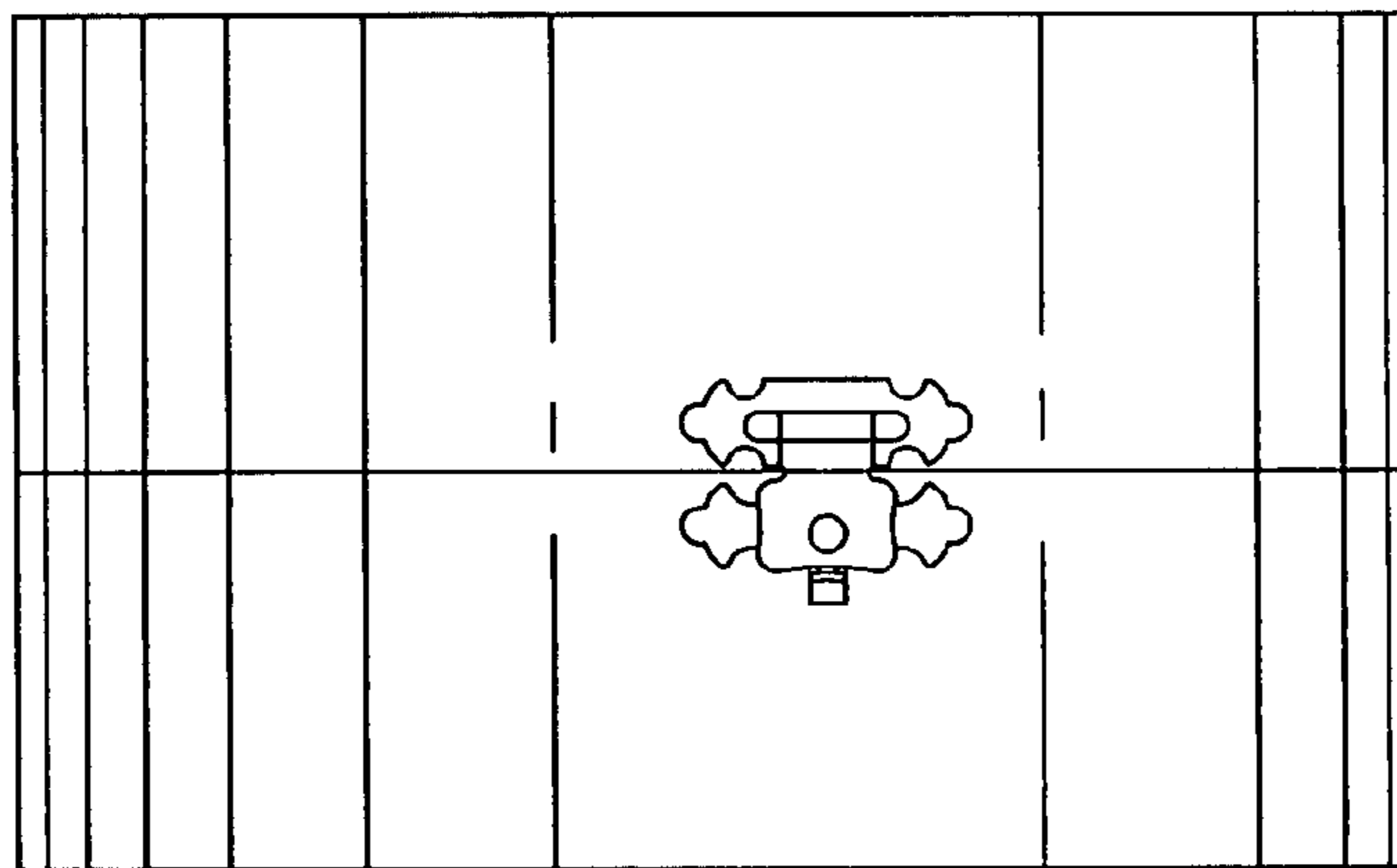


**FIG. 1**

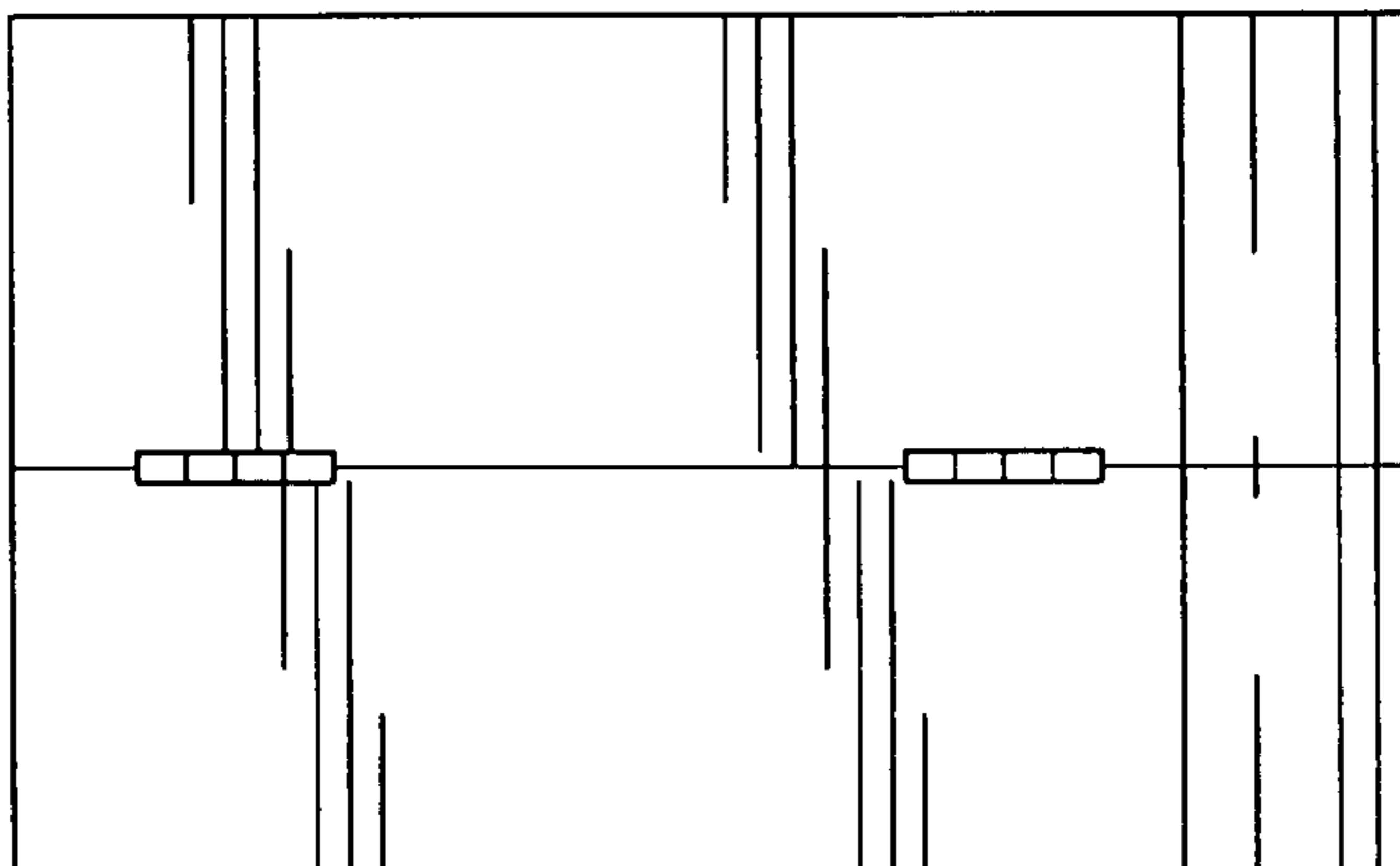
**FIG. 2**

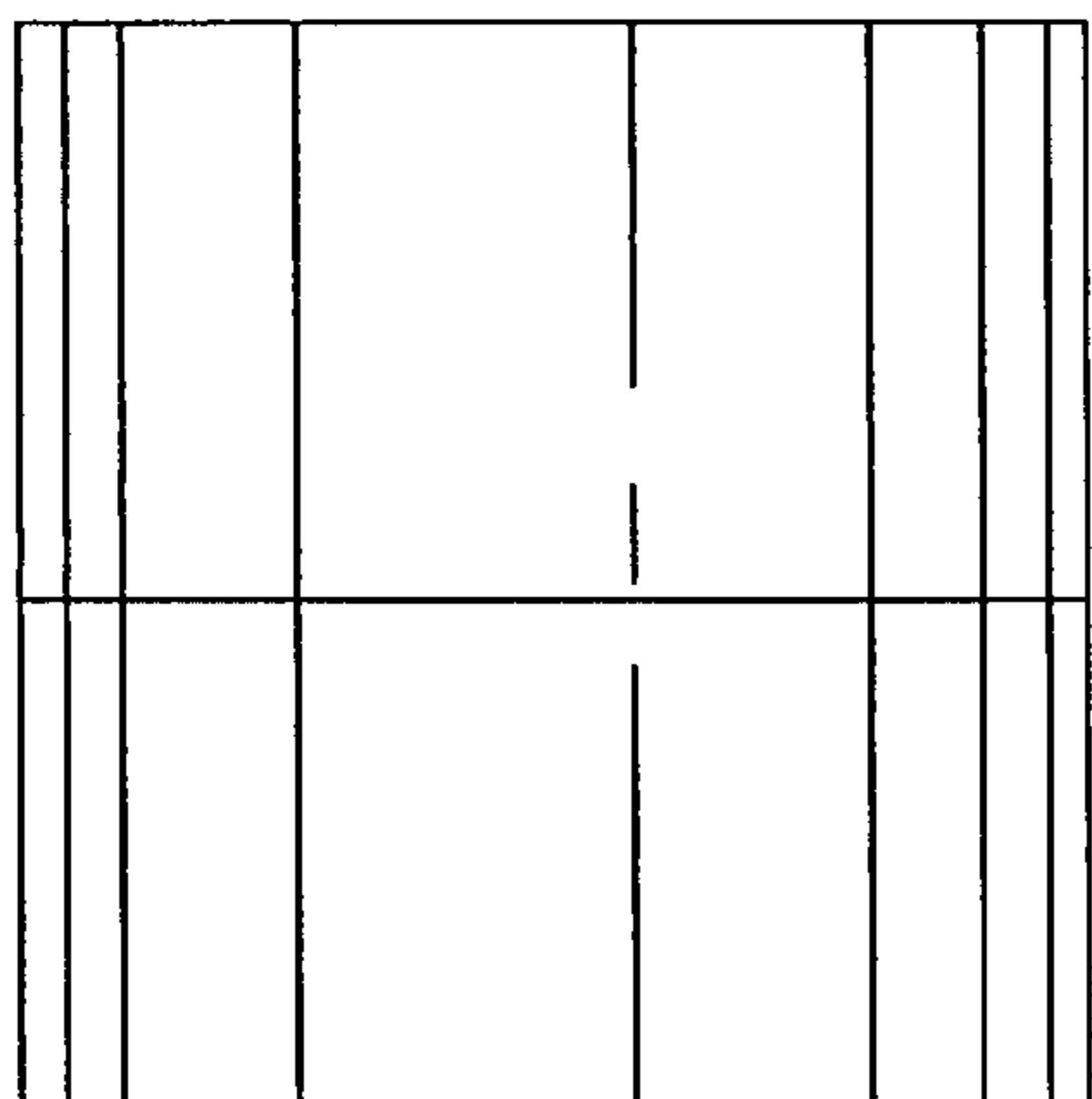


**FIG. 3**

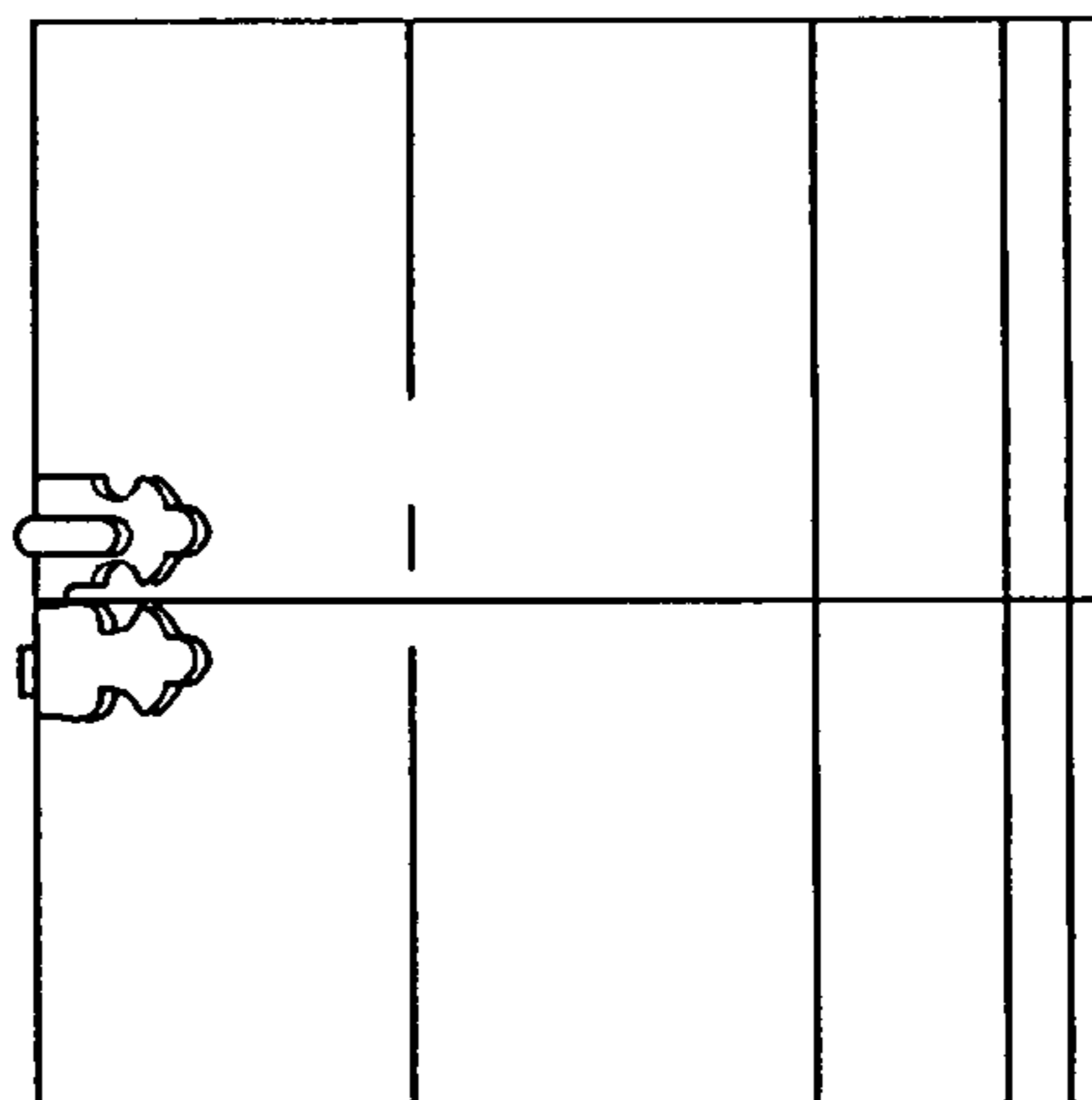


**FIG. 4**

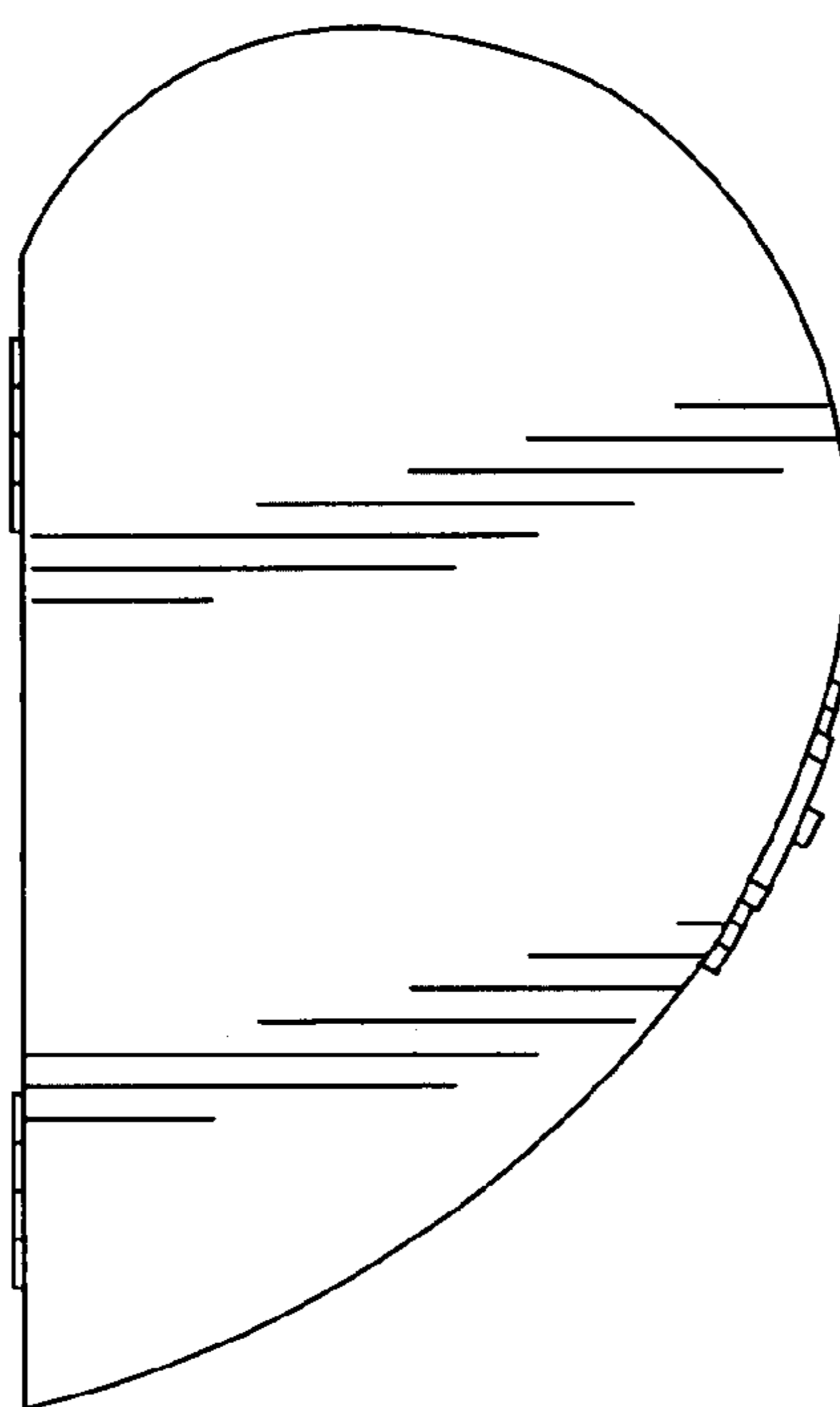




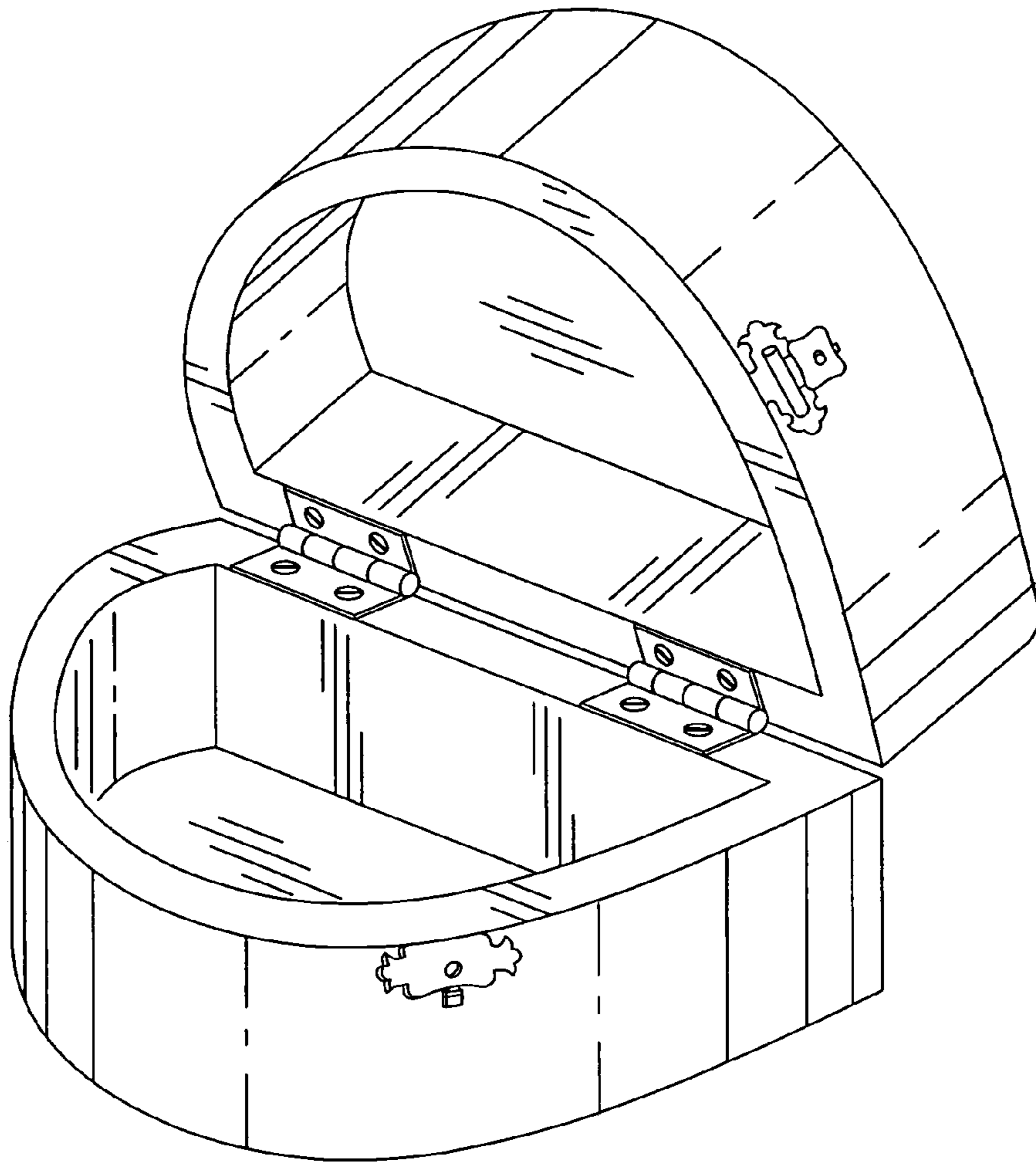
**FIG. 5**



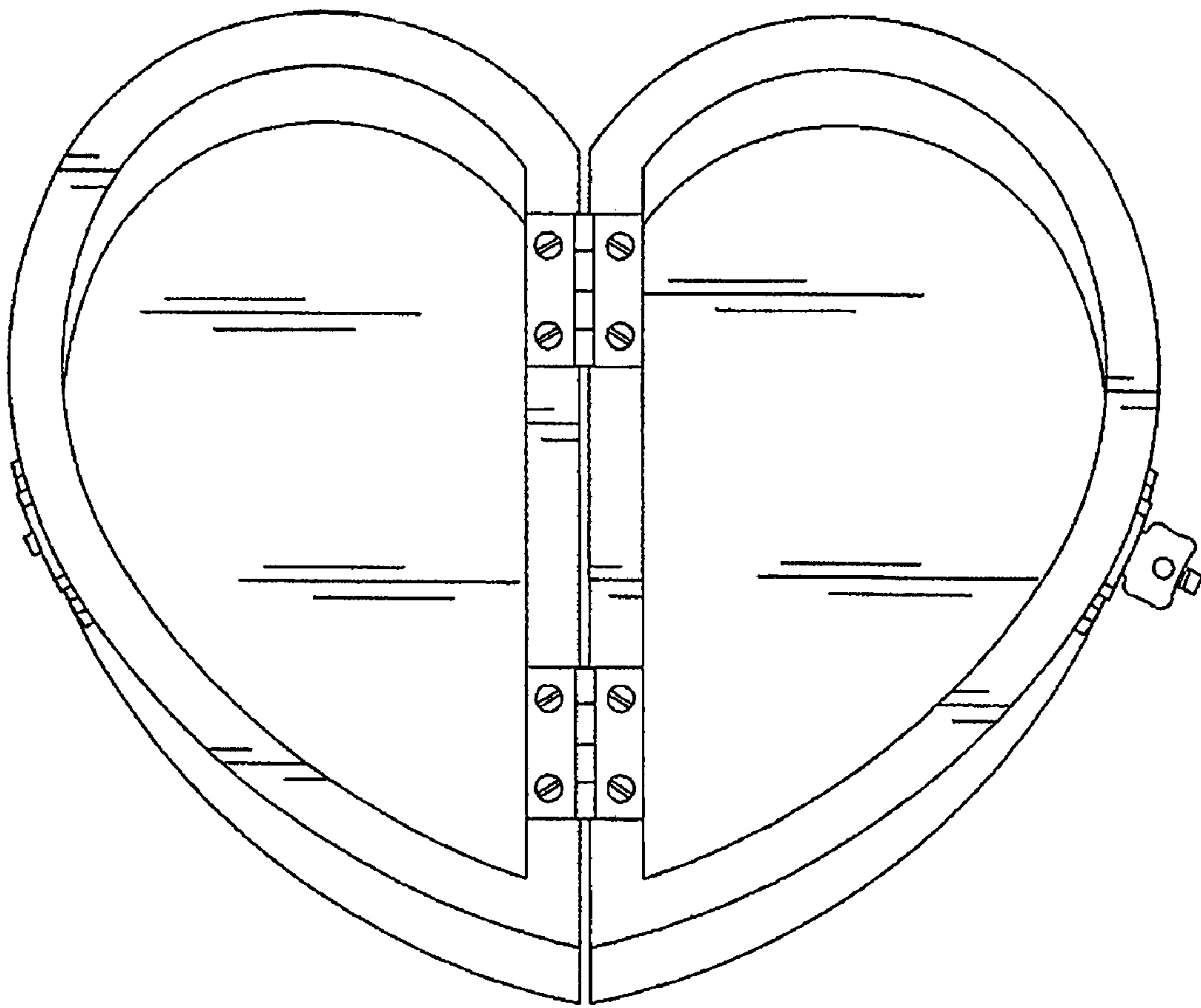
**FIG. 6**



**FIG. 7**



**FIG. 8**



**FIG. 9**