

US00D557894S

(12) **United States Design Patent** (10) **Patent No.:** **US D557,894 S**
Yeo (45) **Date of Patent:** **** Dec. 25, 2007**

(54) **MOBILE PHONE CASE**

(75) Inventor: **Chang-ki Yeo**, Incheon-si (KR)

(73) Assignee: **Hyunwon Inc.** (KR)

(**) Term: **14 Years**

(21) Appl. No.: **29/267,488**

(22) Filed: **Oct. 16, 2006**

(30) **Foreign Application Priority Data**

Sep. 12, 2006 (KR) 30-2006-0037569

(51) **LOC (8) Cl.** **03-01**

(52) **U.S. Cl.** **D3/218**

(58) **Field of Classification Search** D3/218,
D3/215, 219, 224-226, 247-252; 150/106-112;
190/100-115; 224/206, 600, 602, 605, 623,
224/666; 206/320, 581; 379/455; 455/100
See application file for complete search history.

(56) **References Cited**

U.S. PATENT DOCUMENTS

D501,718 S * 2/2005 Brown D3/247
D519,275 S * 4/2006 Shertzer D3/218
D543,023 S * 5/2007 Han et al. D3/218
2001/0035444 A1* 11/2001 Alis 224/666

* cited by examiner

Primary Examiner—Catherine R. Oliver
(74) *Attorney, Agent, or Firm*—Cantor Colburn LLP

(57) **CLAIM**

I claim, the ornamental design for a mobile phone case, as shown and described.

DESCRIPTION

FIG. 1 is a top and front perspective view of a mobile phone case, showing our new design;

FIG. 2 is a front elevational view thereof;

FIG. 3 is a rear elevational view thereof;

FIG. 4 is a left side elevational view thereof;

FIG. 5 is a right side elevational view thereof;

FIG. 6 is a top plan view thereof;

FIG. 7 is a bottom plan view thereof;

FIG. 8 is a front perspective reference view showing the mobile phone case receiving a mobile phone; and,

FIG. 9 is a right side elevational reference view showing the mobile phone case receiving a mobile phone in an alternate position.

The mobile phone is shown in broken lines for illustrative purposes only and forms no part of the claimed invention.

1 Claim, 8 Drawing Sheets

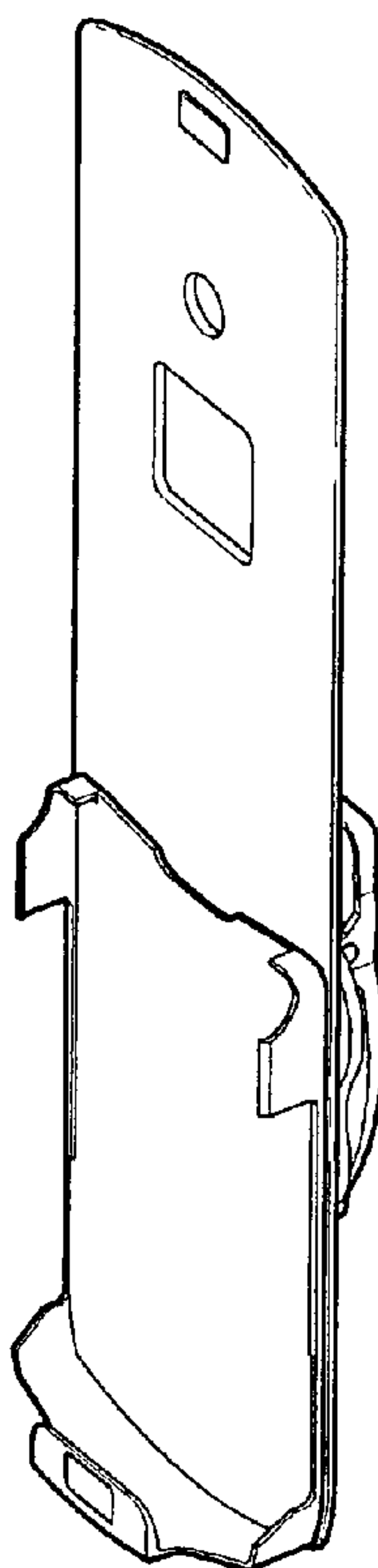


FIG. 1

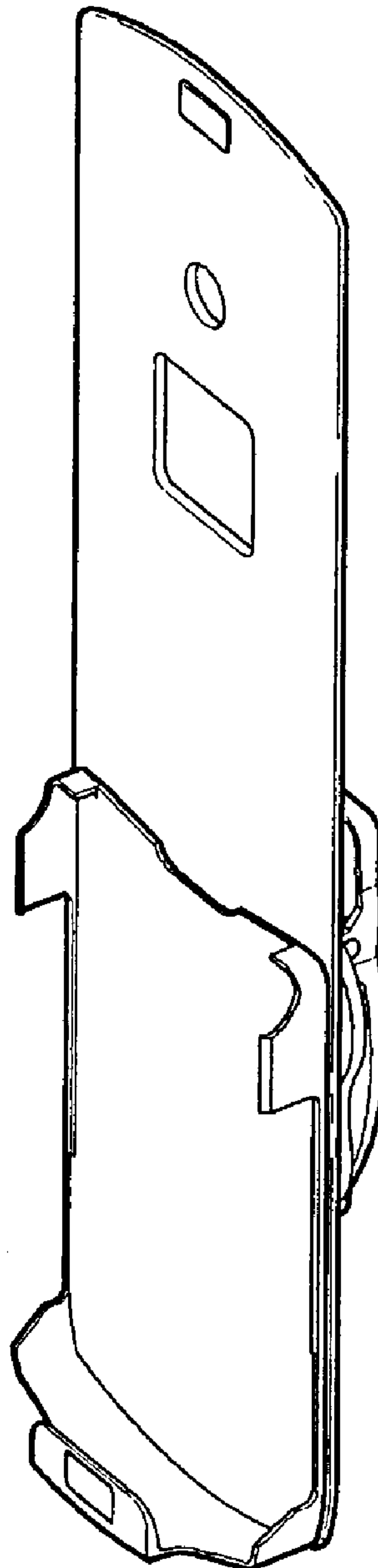


FIG.2

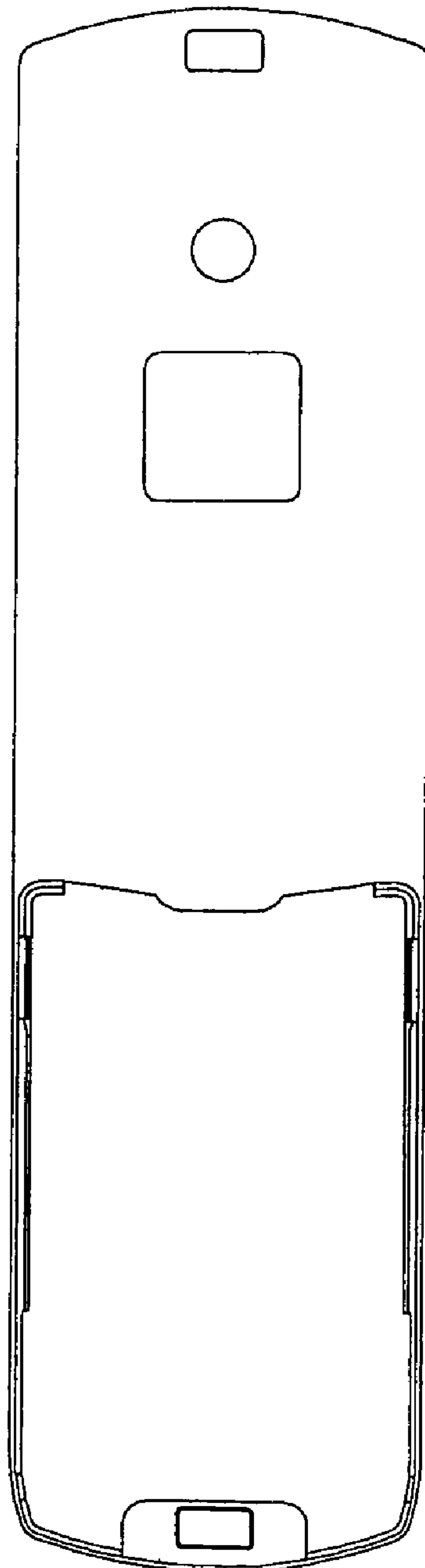


FIG. 3

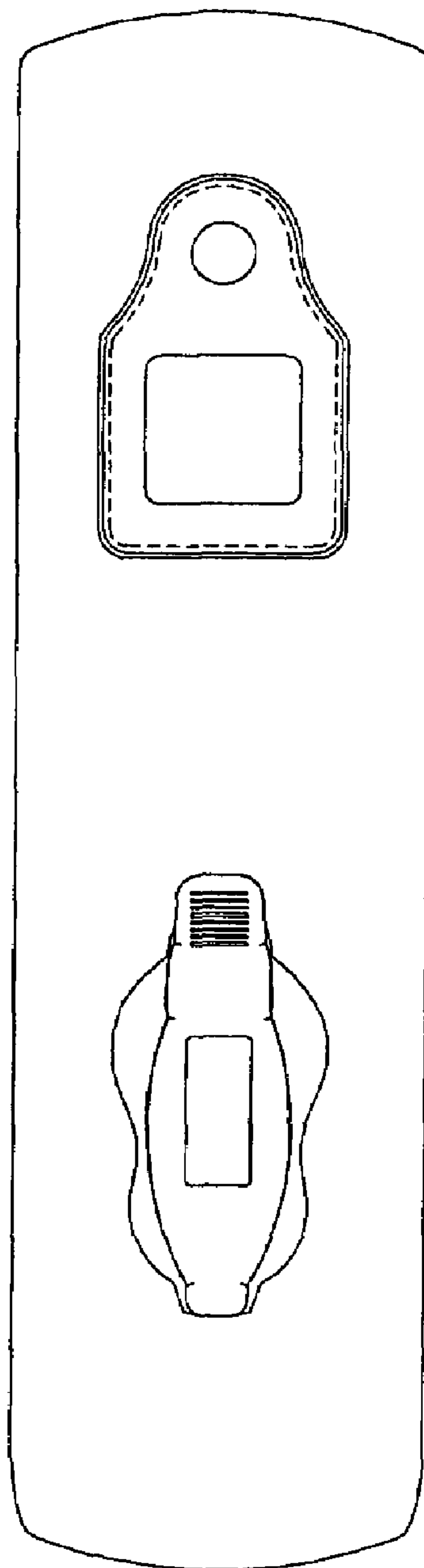


FIG. 4

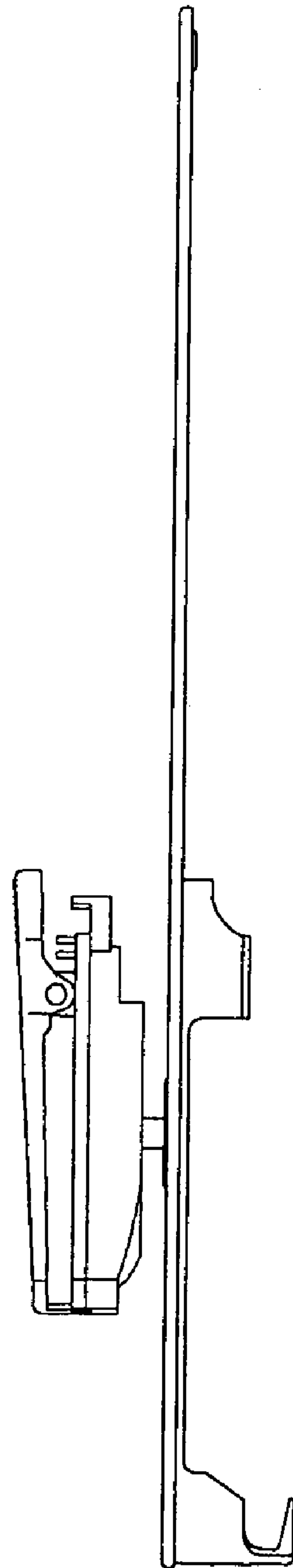


FIG. 5

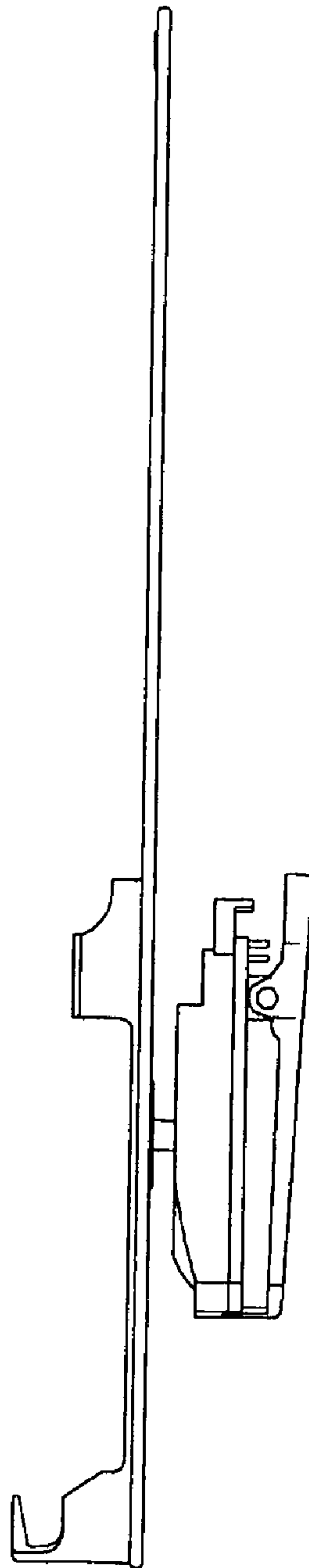


FIG.6

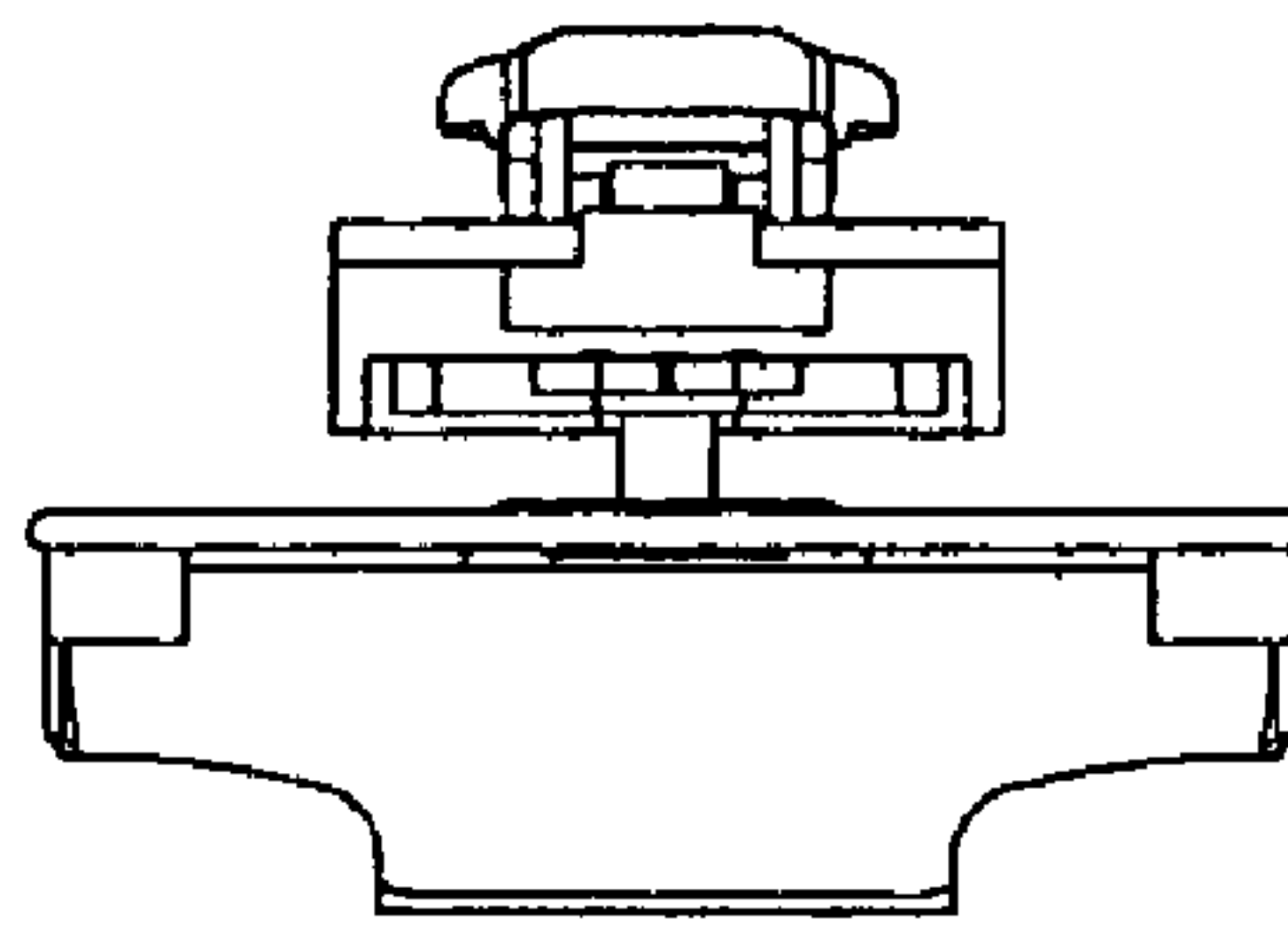


FIG.7

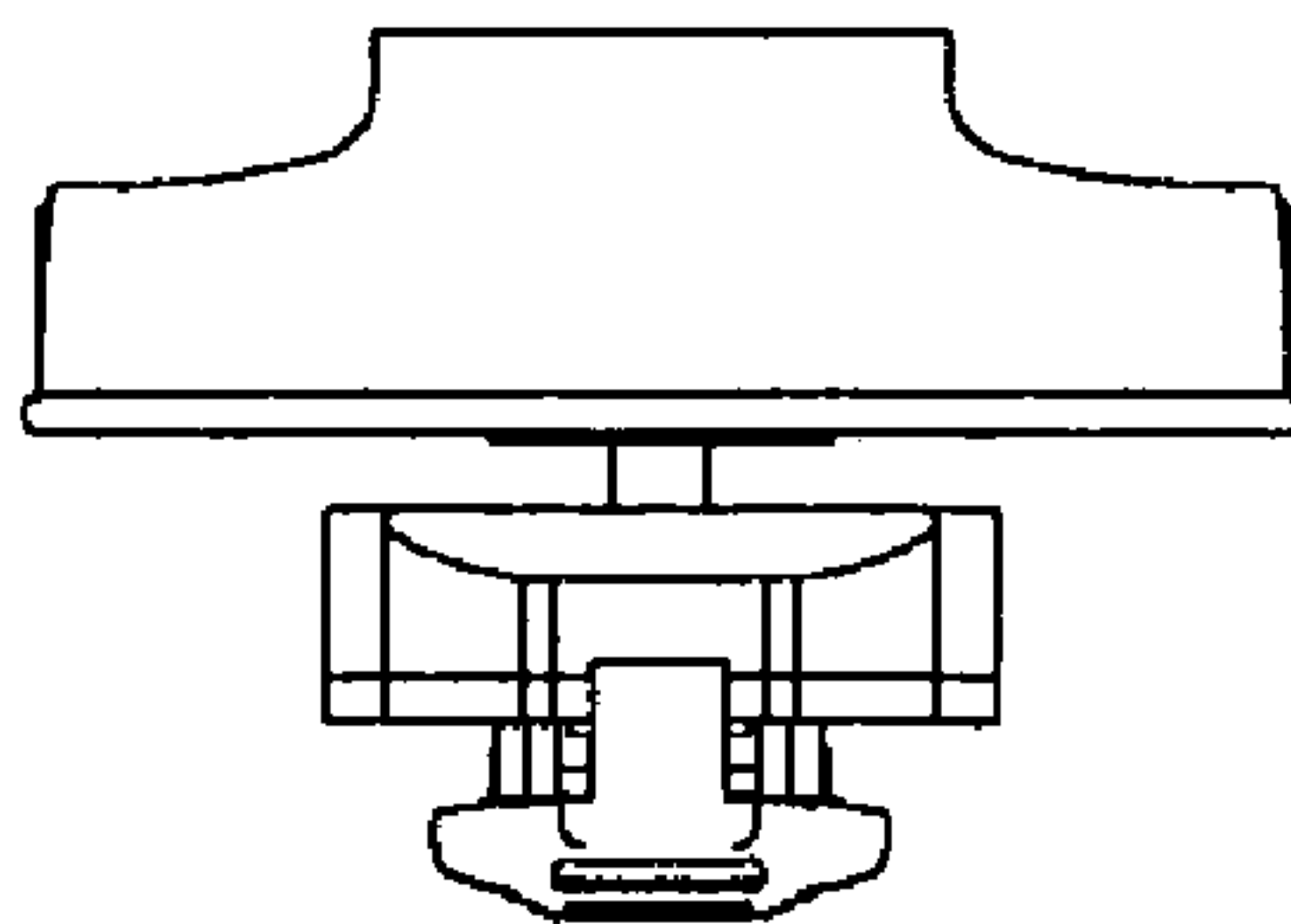


FIG.8

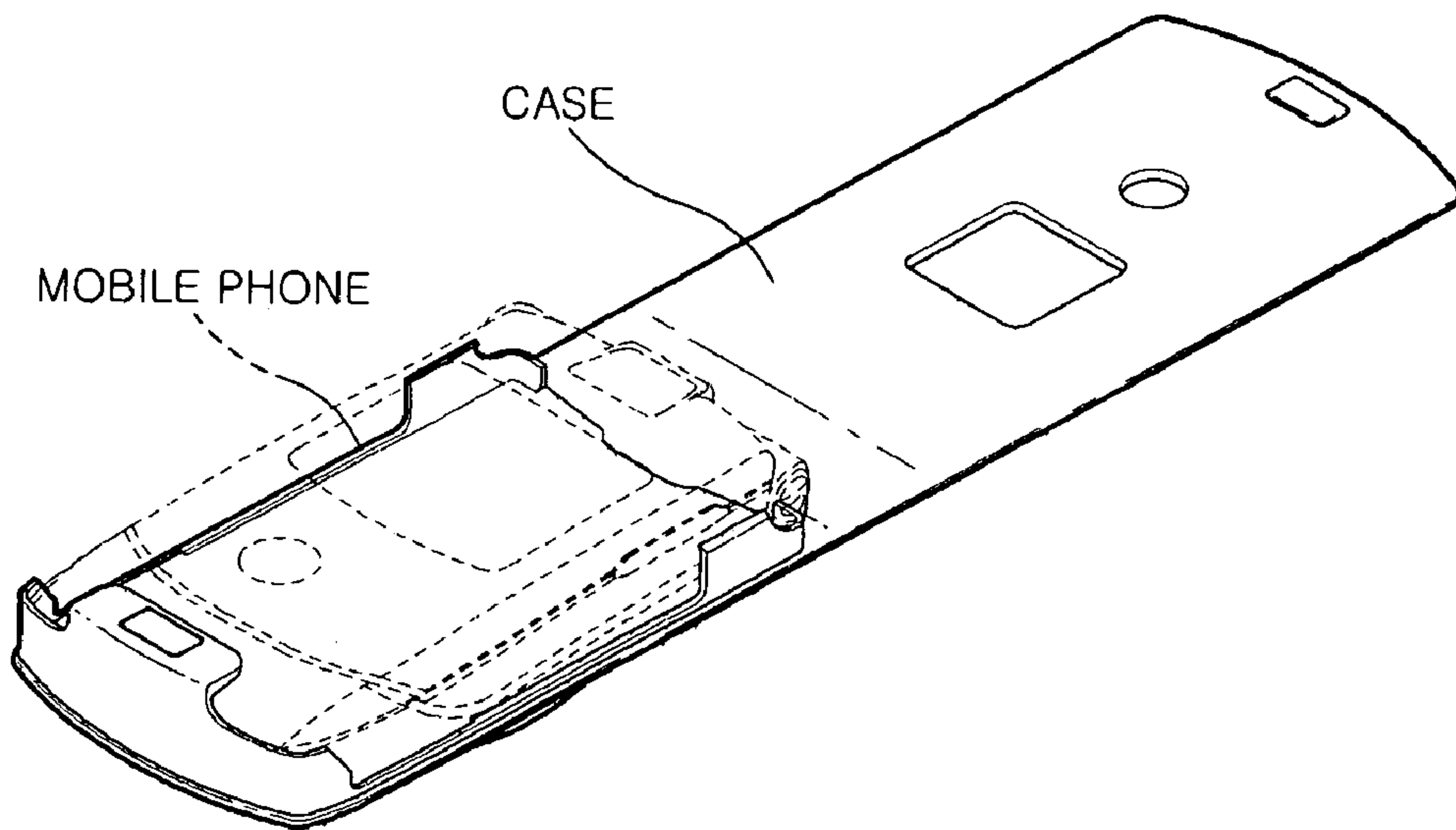


FIG. 9

