

US00D557893S

(12) **United States Design Patent**  
**Chan**

(10) **Patent No.:** **US D557,893 S**

(45) **Date of Patent:** **\*\* Dec. 25, 2007**

(54) **MANICURE IMPLEMENT CASE**

(75) Inventor: **Chi Wing Chan**, Kowloon (HK)

(73) Assignee: **Tak Sung Investments Limited** (VG)

(\*\*) Term: **14 Years**

(21) Appl. No.: **29/271,306**

(22) Filed: **Jan. 16, 2007**

(51) **LOC (8) Cl.** ..... **03-01**

(52) **U.S. Cl.** ..... **D3/206**

(58) **Field of Classification Search** ..... D3/201,  
D3/203.3, 205, 206, 233, 249, 219, 273, 290,  
D3/299, 901; 190/901, 903; 224/240  
See application file for complete search history.

(56) **References Cited**

**U.S. PATENT DOCUMENTS**

1,722,507	A *	7/1929	Stanley	.....	206/581
2,219,597	A *	10/1940	Lutz	.....	206/755
2,623,566	A *	12/1952	Renaker	.....	190/125
D176,620	S *	1/1956	Lamarthe	.....	D28/61
D494,360	S *	8/2004	Ostermann	.....	D3/205
D518,954	S *	4/2006	Wald	.....	D3/273
D543,023	S *	5/2007	Han et al.	.....	D3/218

\* cited by examiner

*Primary Examiner*—Stella M. Reid

*Assistant Examiner*—Kathleen M. Sims

(74) *Attorney, Agent, or Firm*—Mayback & Hoffman, P.A.;  
Gregory L. Mayback; Scott D. Smiley

(57) **CLAIM**

The ornamental design for a manicure implement case, as shown and described.

**DESCRIPTION**

FIG. 1 is a perspective view of an implement case according to the invention;

FIG. 2 is a front elevational view of the case of FIG. 1;

FIG. 3 is a rear elevational view of the case of FIG. 1;

FIG. 4 is a left elevational view of the case of FIG. 1;

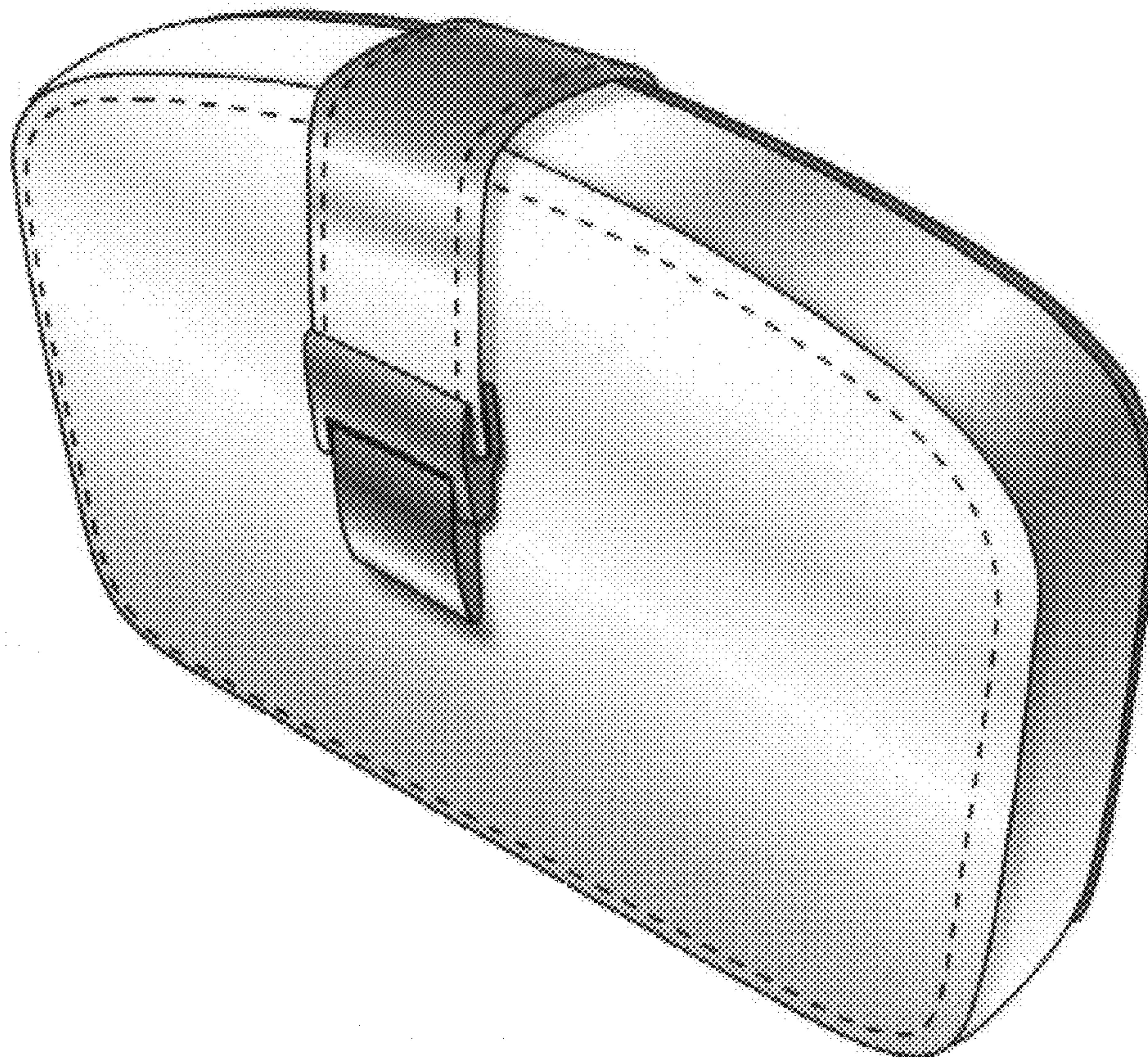
FIG. 5 is a right elevational view of the case of FIG. 1;

FIG. 6 is a top plan view of the case of FIG. 1; and,

FIG. 7 is a bottom plan view of the case of FIG. 1.

The dashed lines seen in FIGS. 1–3 and 6 represent conventional stitching.

**1 Claim, 4 Drawing Sheets**





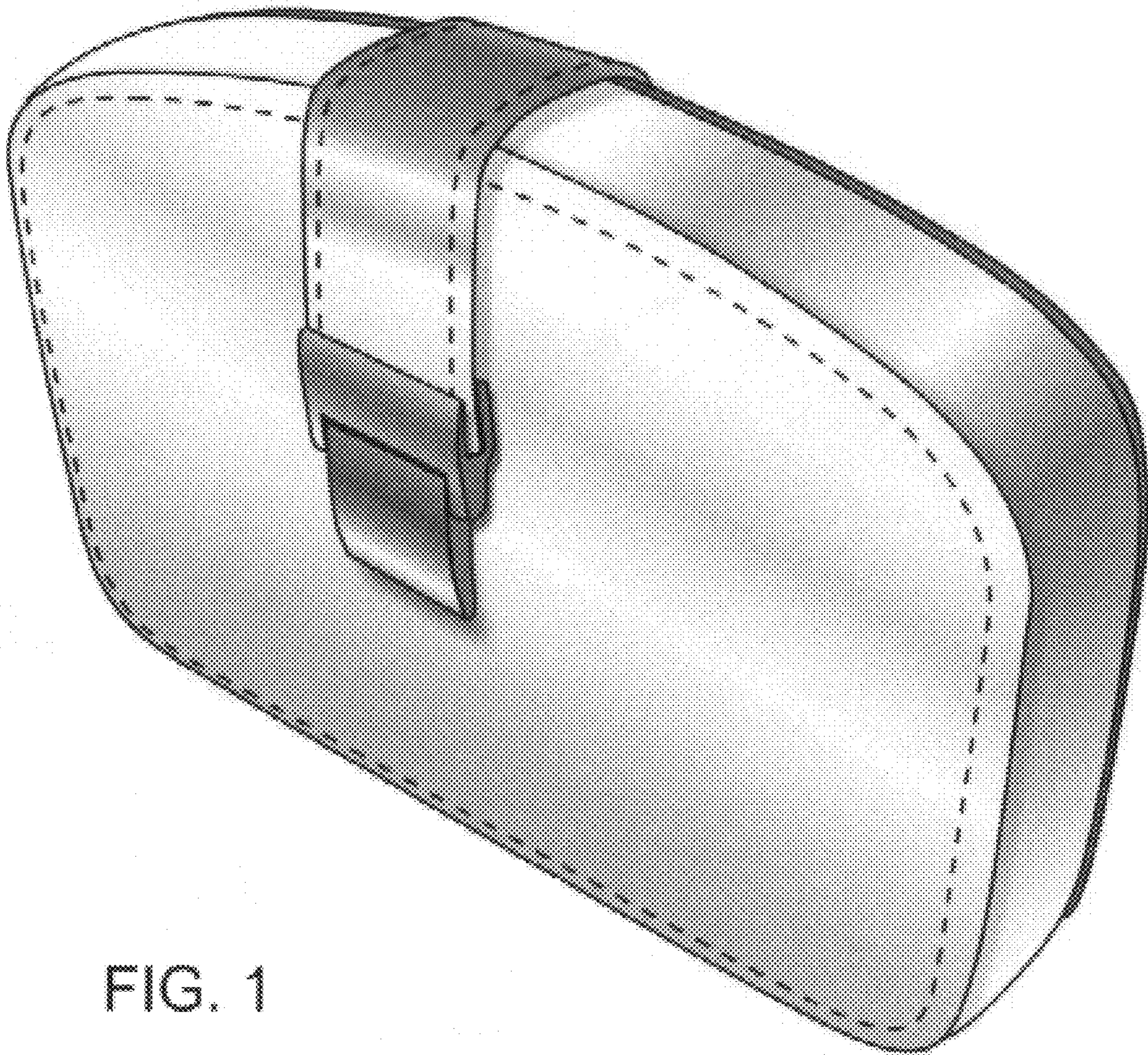


FIG. 1



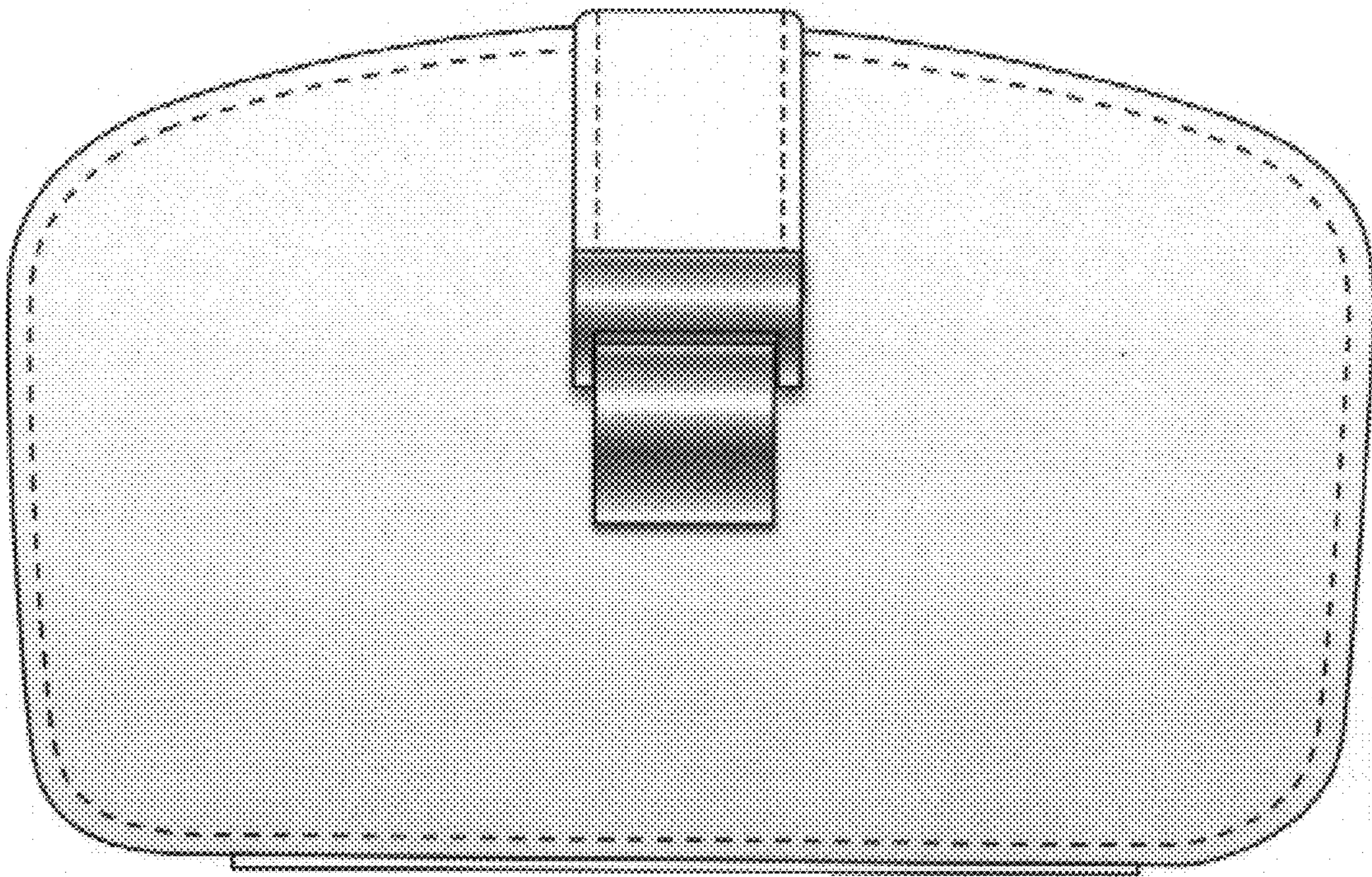


FIG. 2

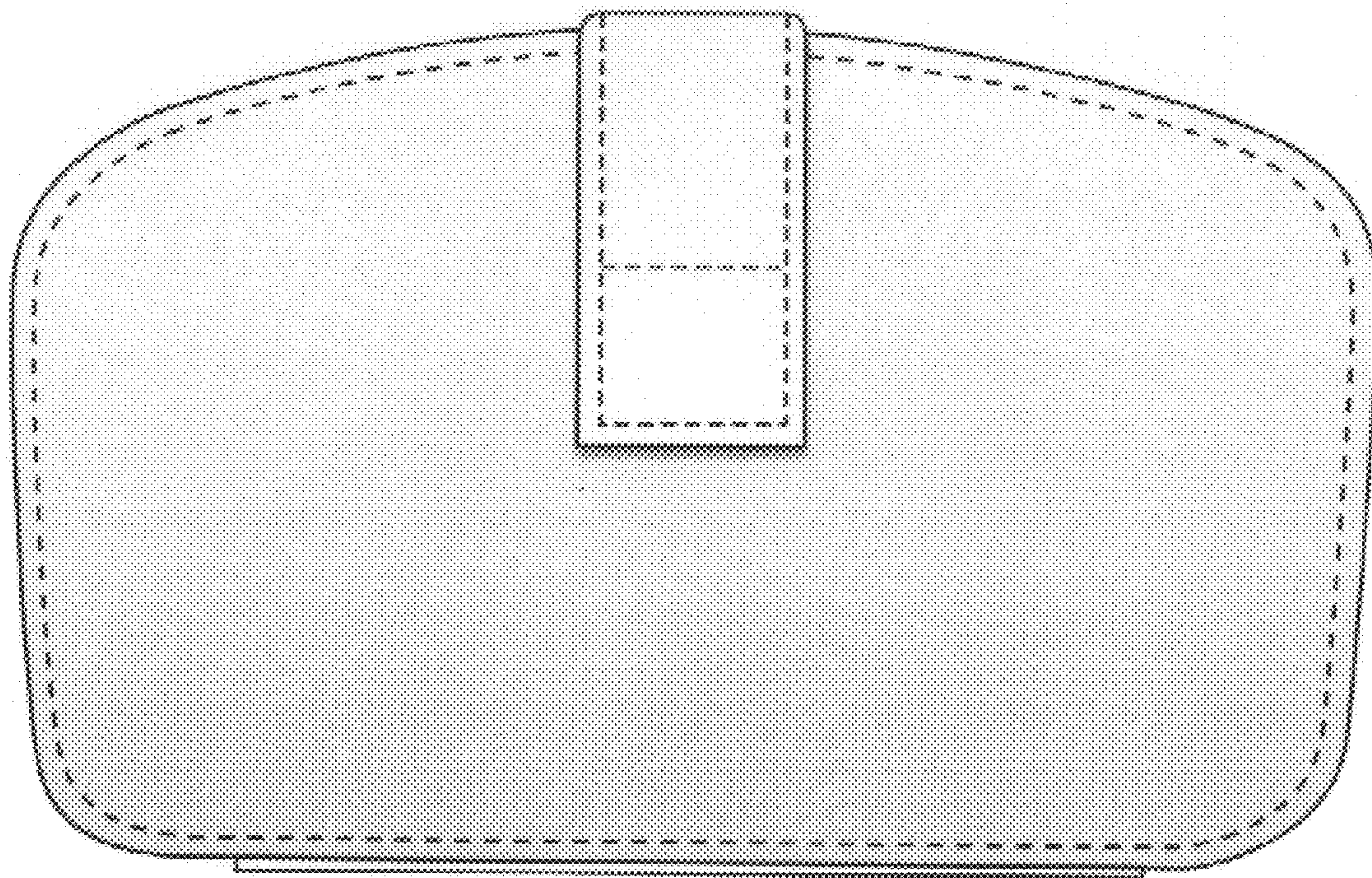


FIG. 3



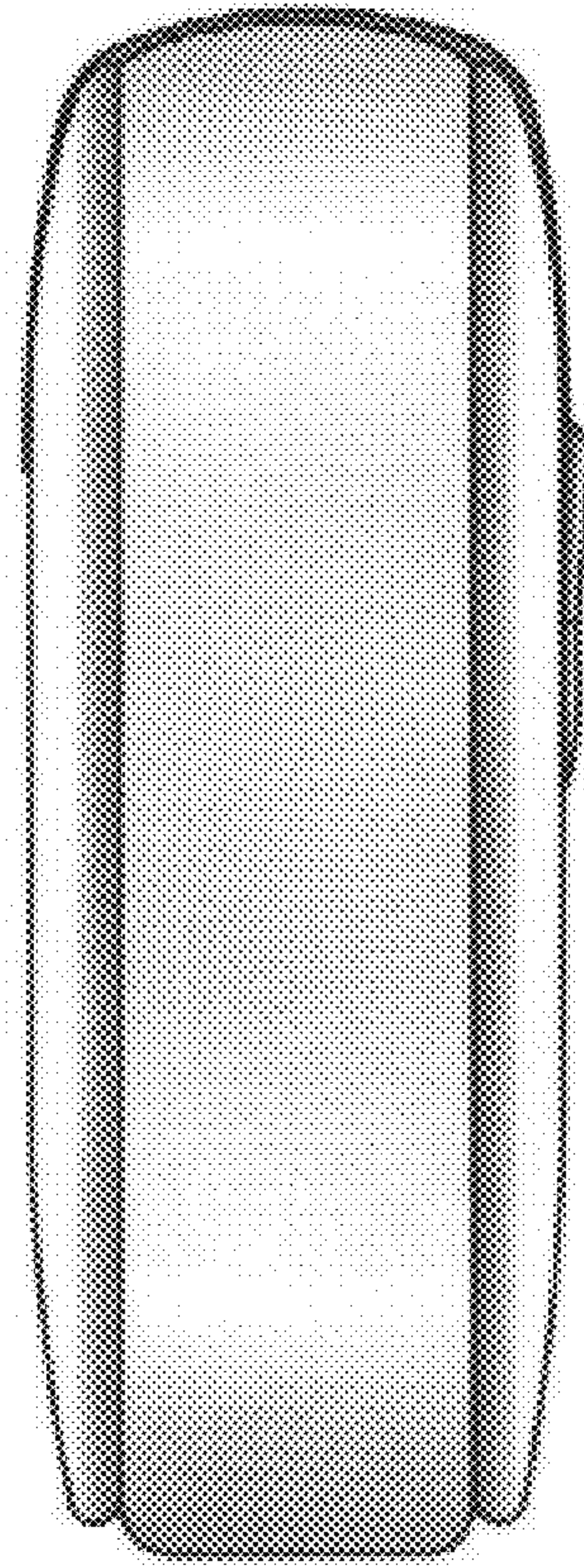


FIG. 4

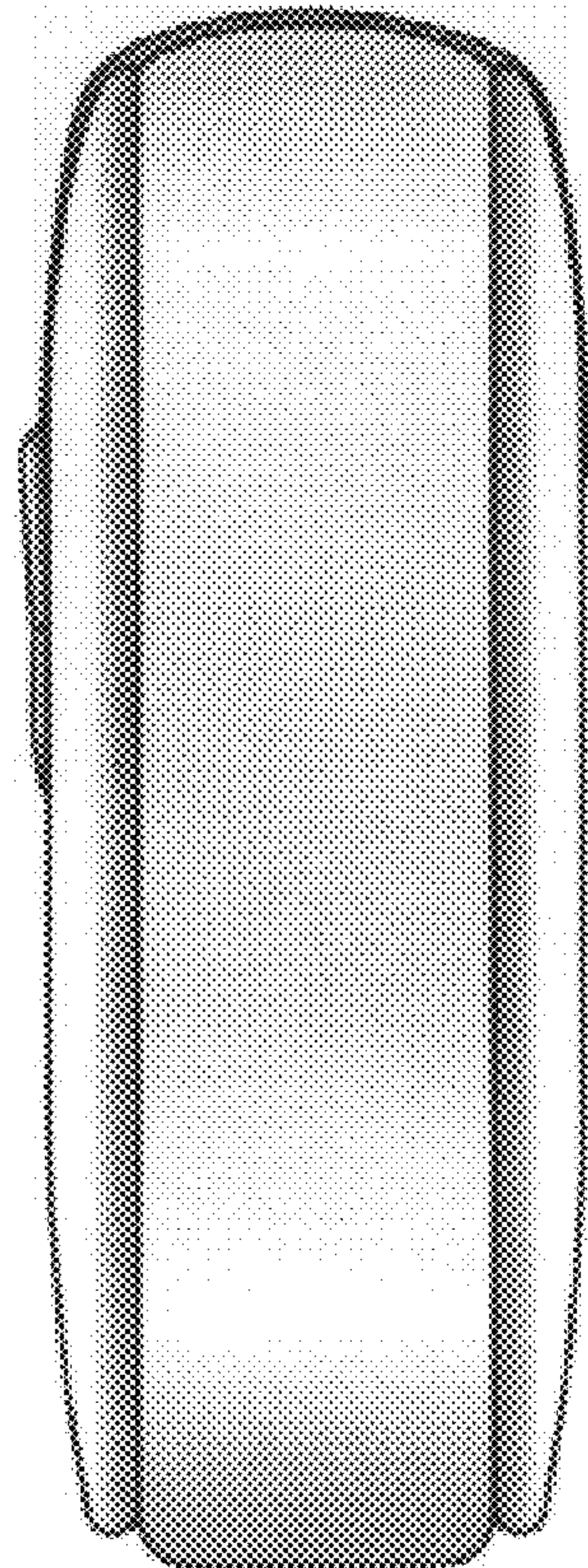


FIG. 5

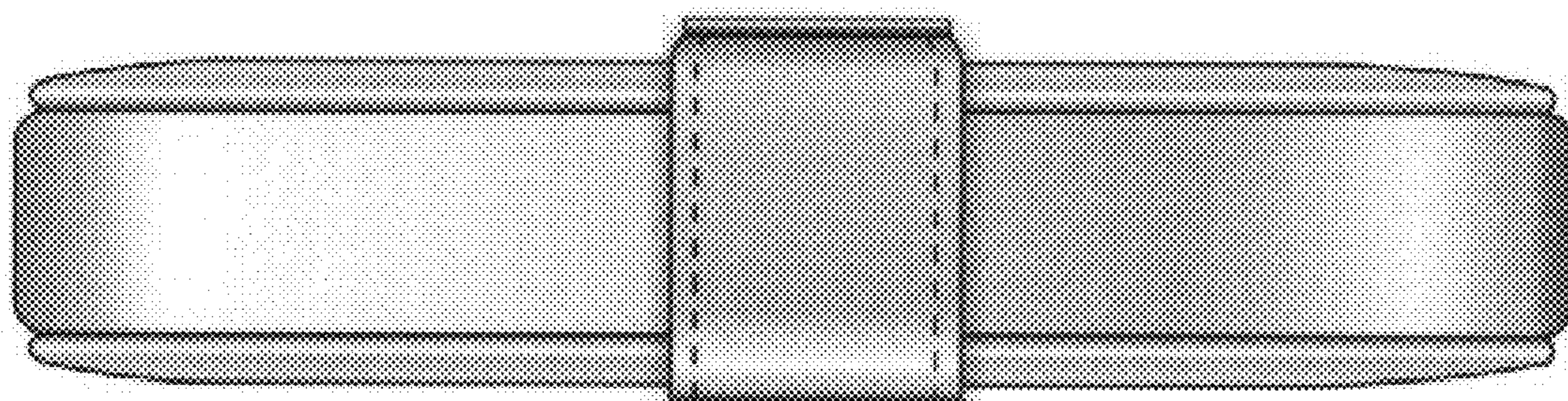


FIG. 6

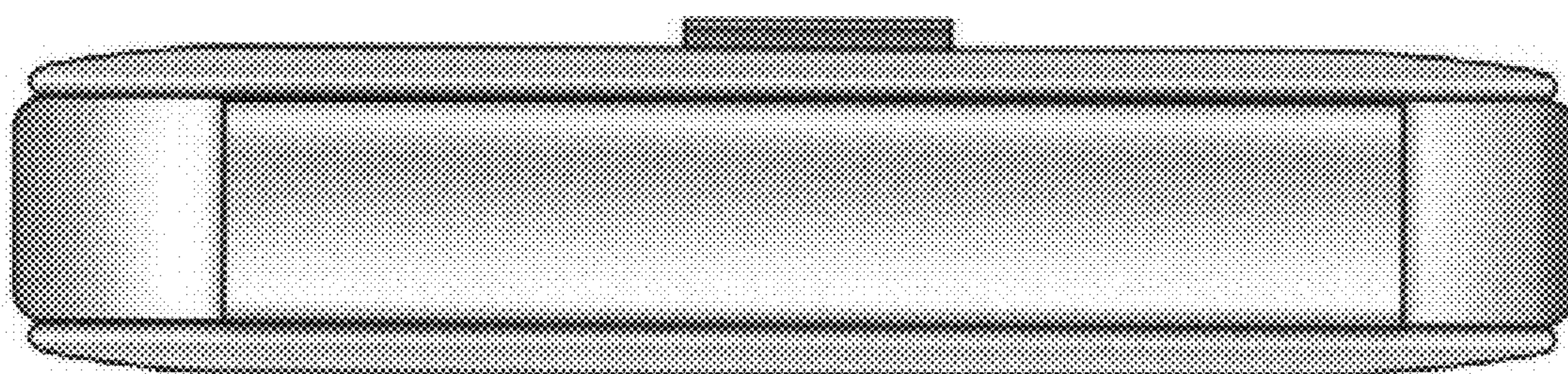


FIG. 7