



US00D557888S

(12) **United States Design Patent** (10) **Patent No.:** **US D557,888 S**
Yu (45) **Date of Patent:** **** Dec. 25, 2007**

(54) **SHOE SPIKE**

D490,226 S * 5/2004 Yu D2/962

* cited by examiner

(76) Inventor: **Yi-Ting Yu**, 2F No 39, Lane 96,
Zhenghe Street, Neighbor 17, Lujhou
City, Taipei County (TW)

Primary Examiner—Stella Reid
Assistant Examiner—Rashida C. McCoy
(74) *Attorney, Agent, or Firm*—Apex Juris, pllc; Tracy M
Heims

(**) Term: **14 Years**

(21) Appl. No.: **29/231,645**

(57) **CLAIM**

(22) Filed: **Jun. 8, 2005**

The ornamental design for a shoe spike, as shown and
described.

(51) **LOC (8) Cl.** **02-04**

(52) **U.S. Cl.** **D2/962**

(58) **Field of Classification Search** D2/962,
D2/906, 914, 915, 946, 969; D6/533; 36/7.7,
36/7.6, 65, 67 A, 126–129, 134
See application file for complete search history.

DESCRIPTION

FIG. 1 is a perspective view of a shoe spike showing my new
design;

FIG. 2 is a front view thereof;

FIG. 3 is a rear view thereof;

FIG. 4 is a right side view thereof;

FIG. 5 is a left side view thereof;

FIG. 6 is a top view thereof; and,

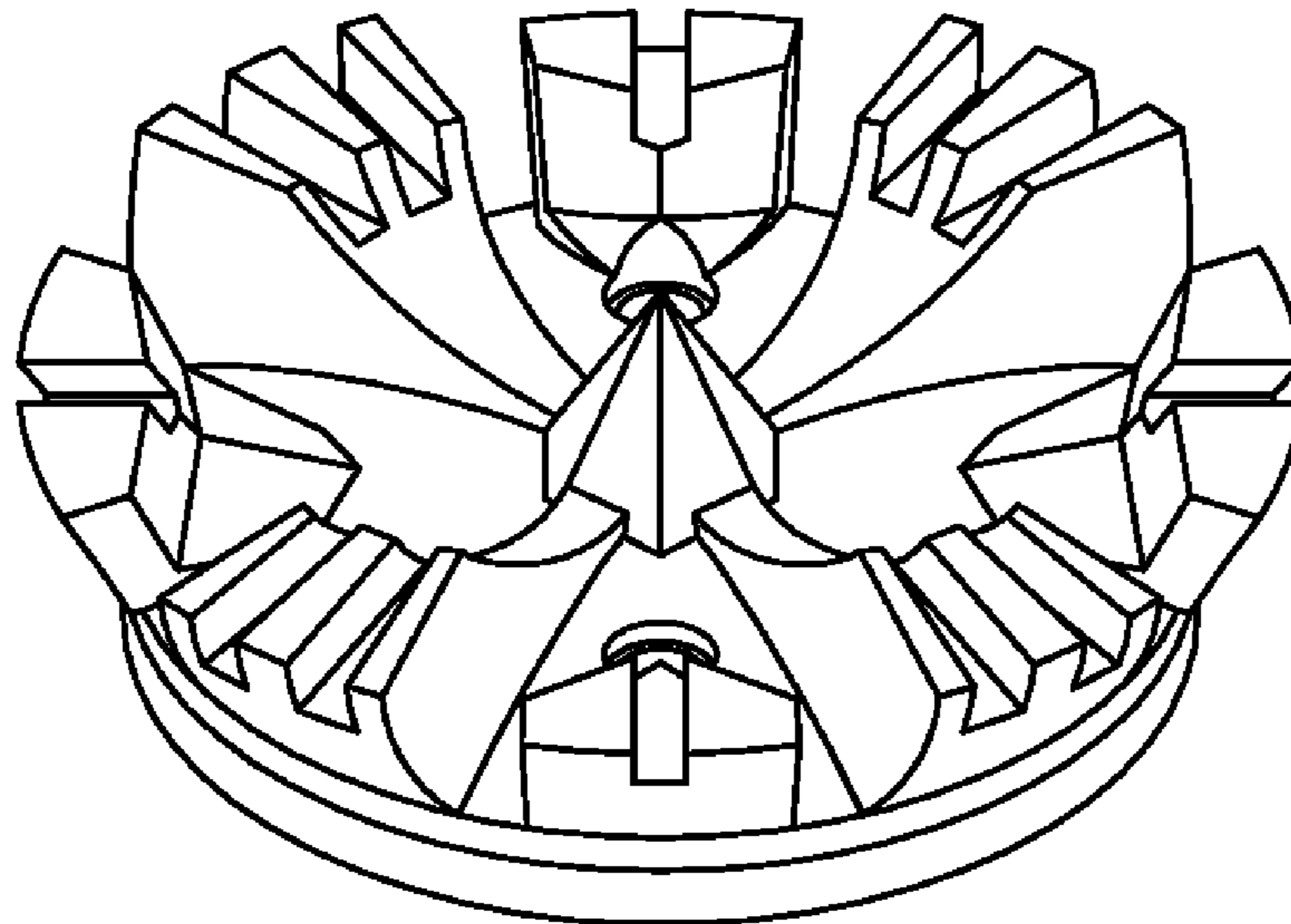
FIG. 7 is a bottom view thereof.

(56) **References Cited**

U.S. PATENT DOCUMENTS

- D452,947 S * 1/2002 Terashima D2/962
- D454,248 S * 3/2002 Savoie D2/962
- D459,866 S * 7/2002 Gan D2/962
- D463,902 S * 10/2002 Yang D2/962

1 Claim, 4 Drawing Sheets



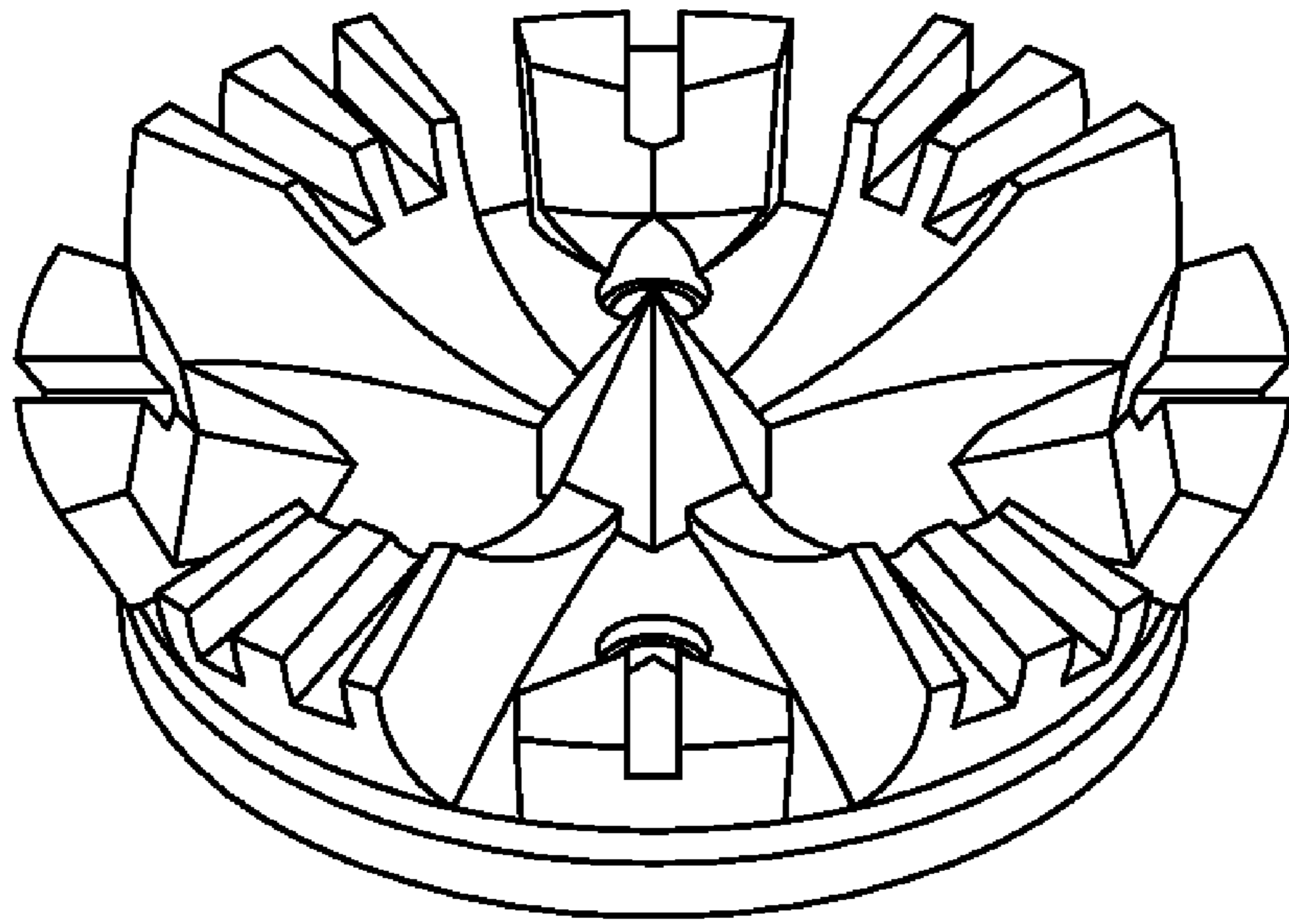


Fig. 1

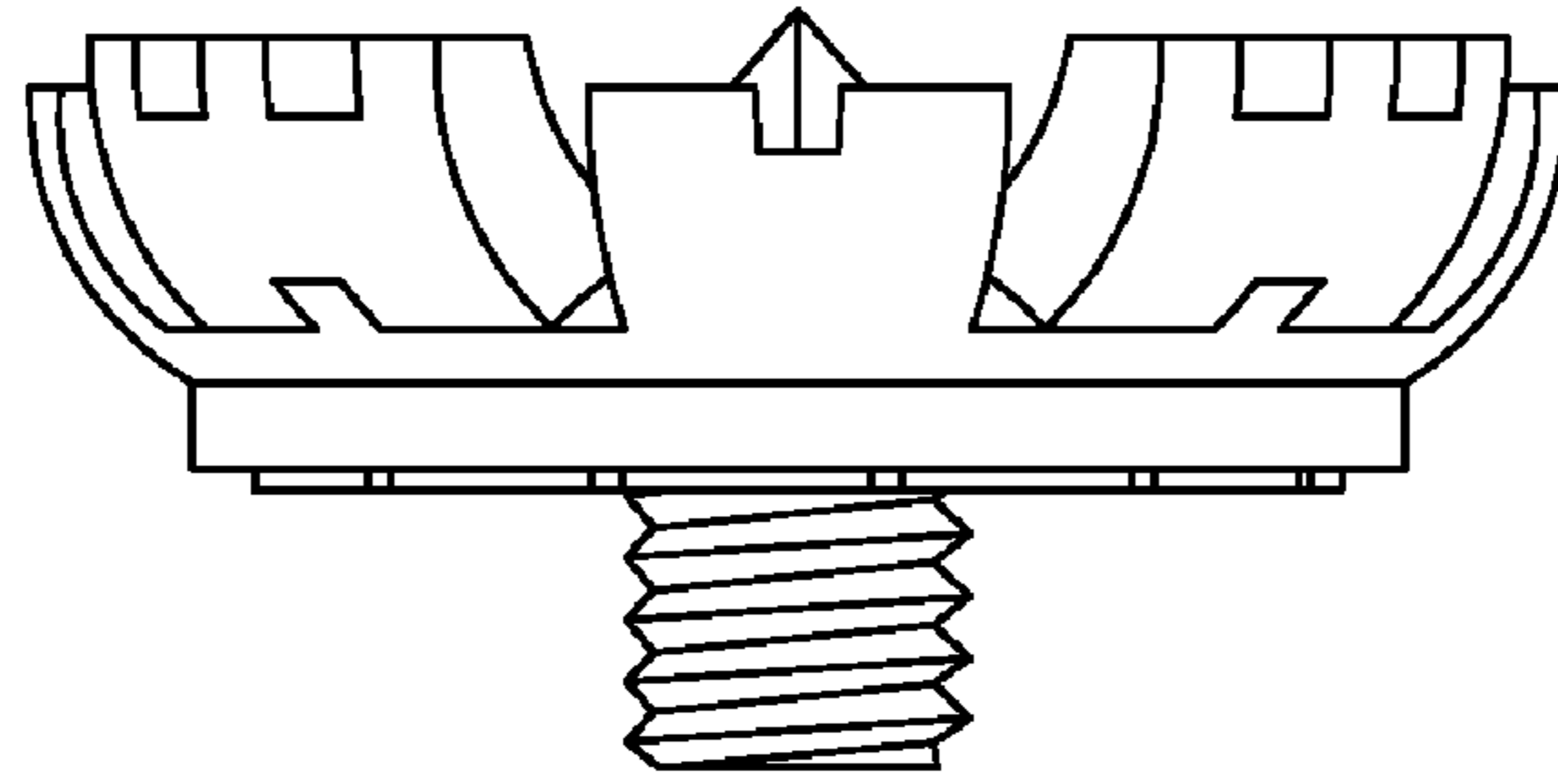


Fig. 2

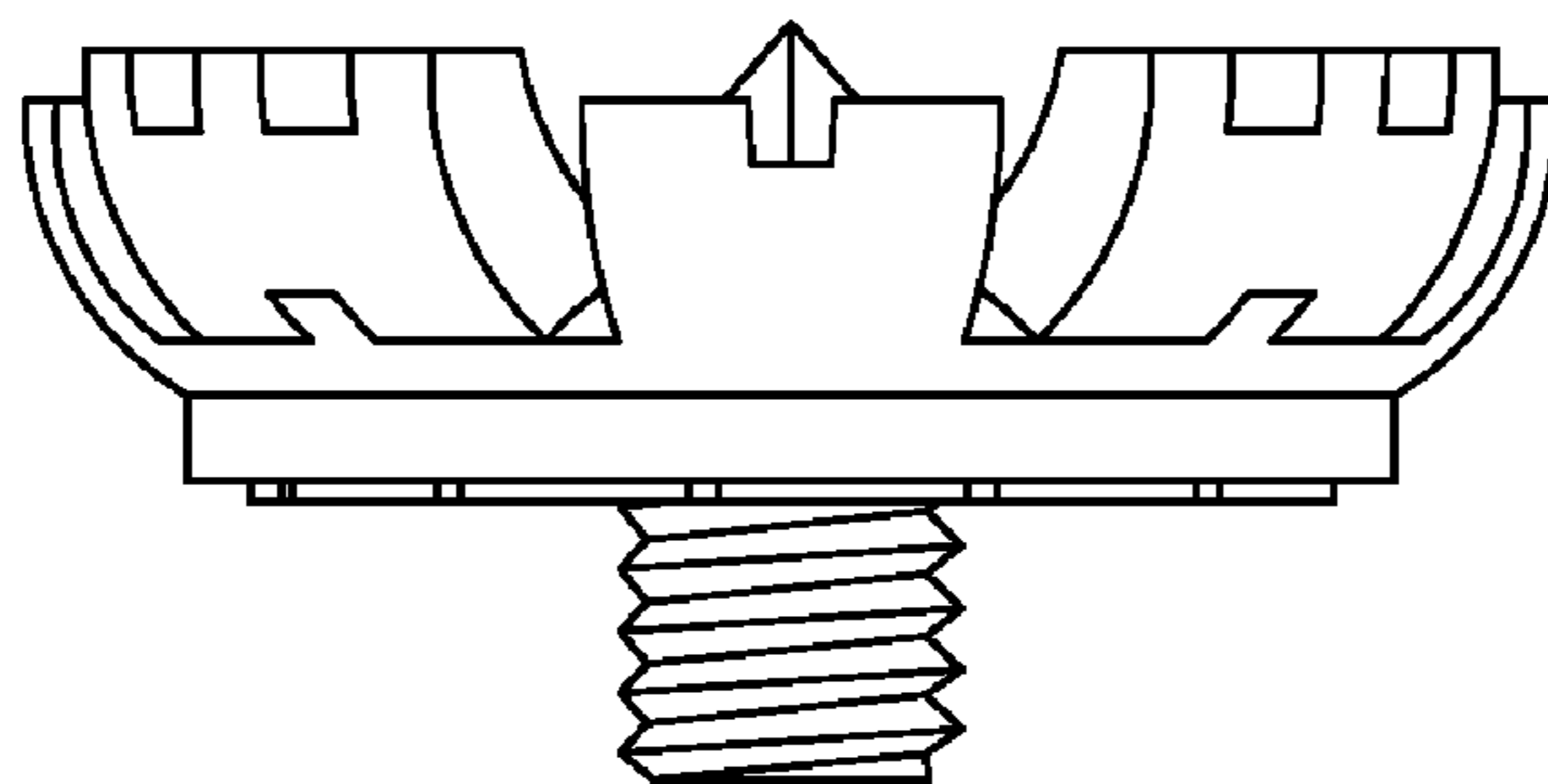


Fig. 3

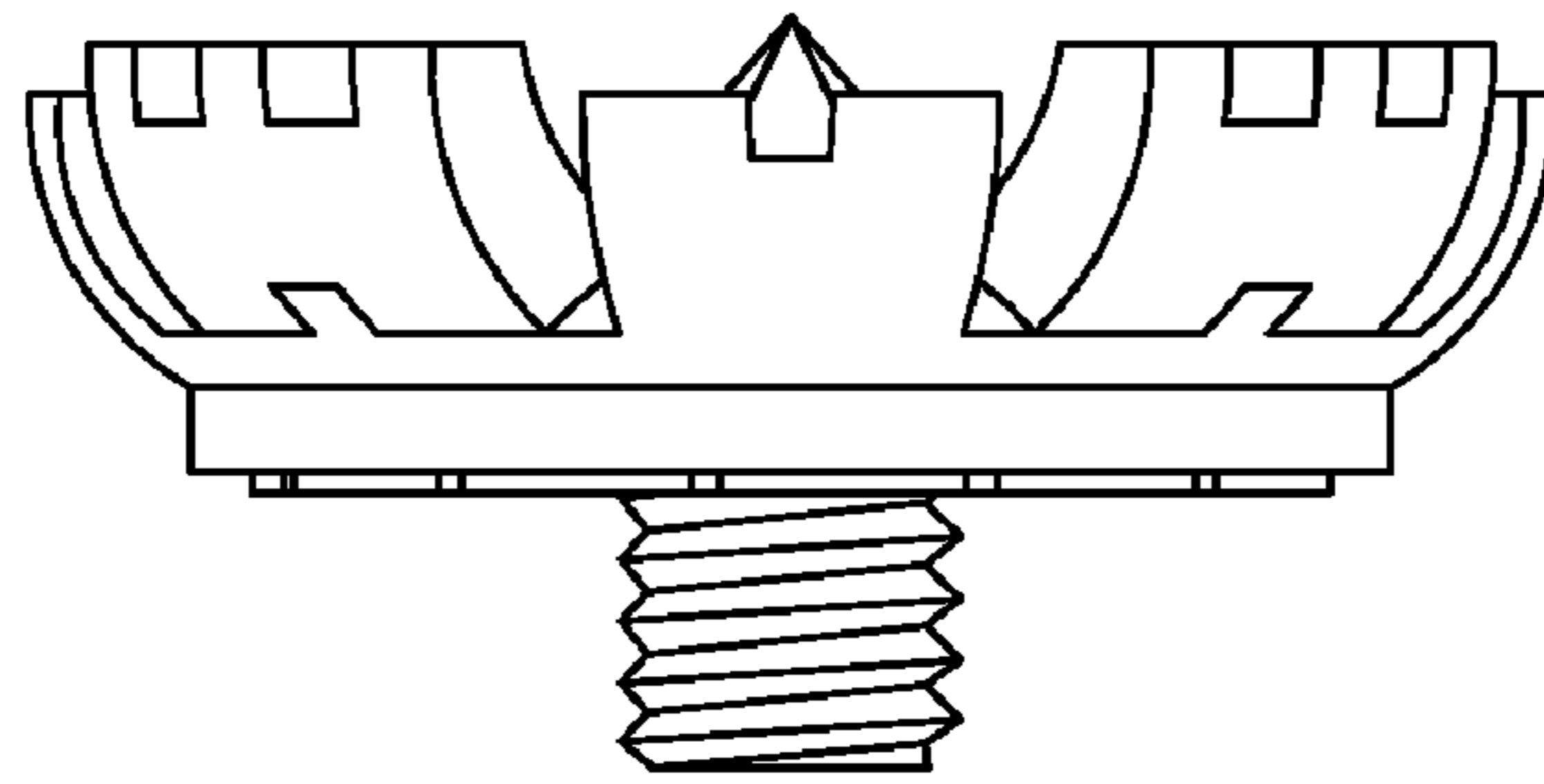


Fig. 4

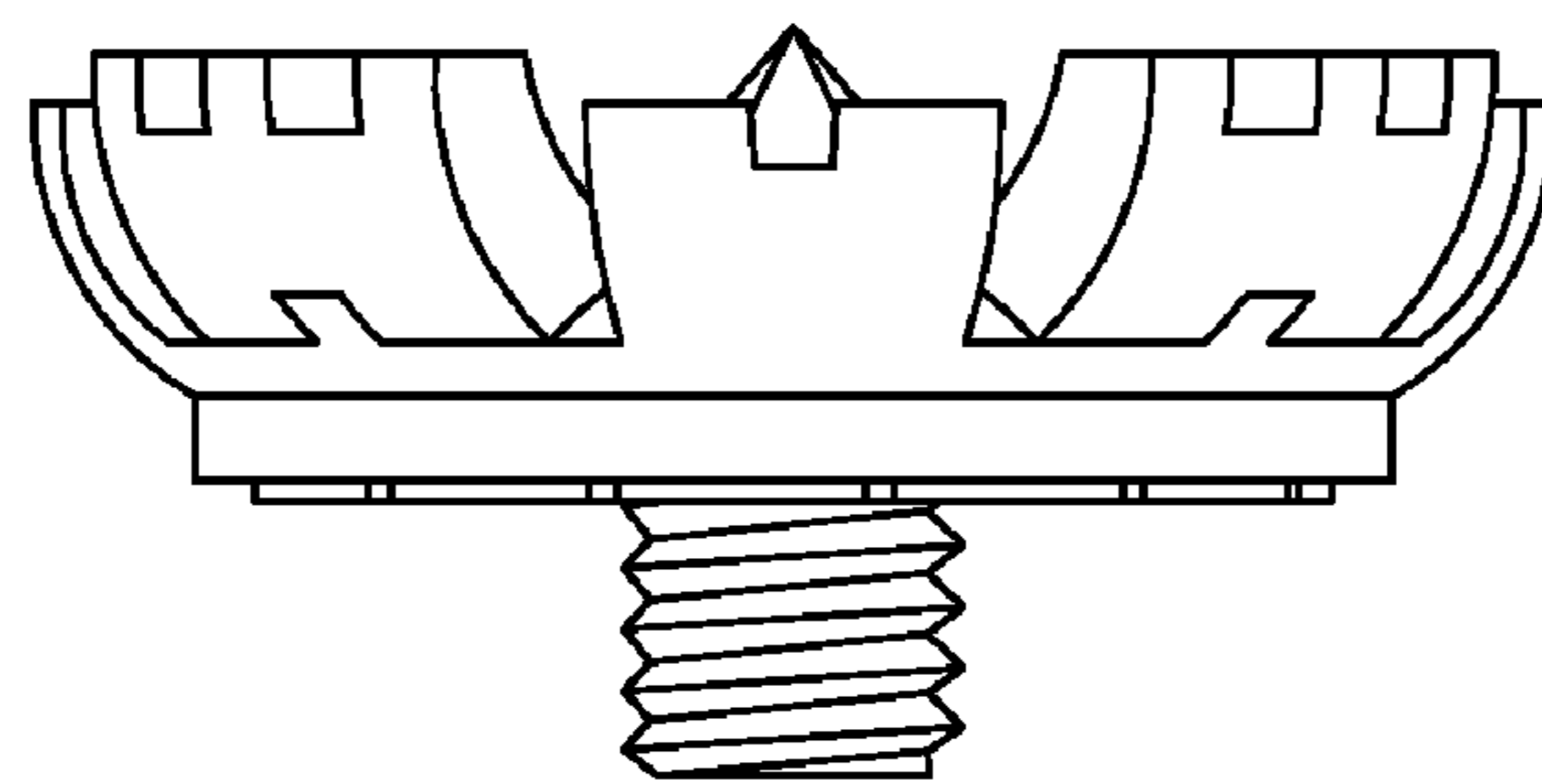


Fig. 5

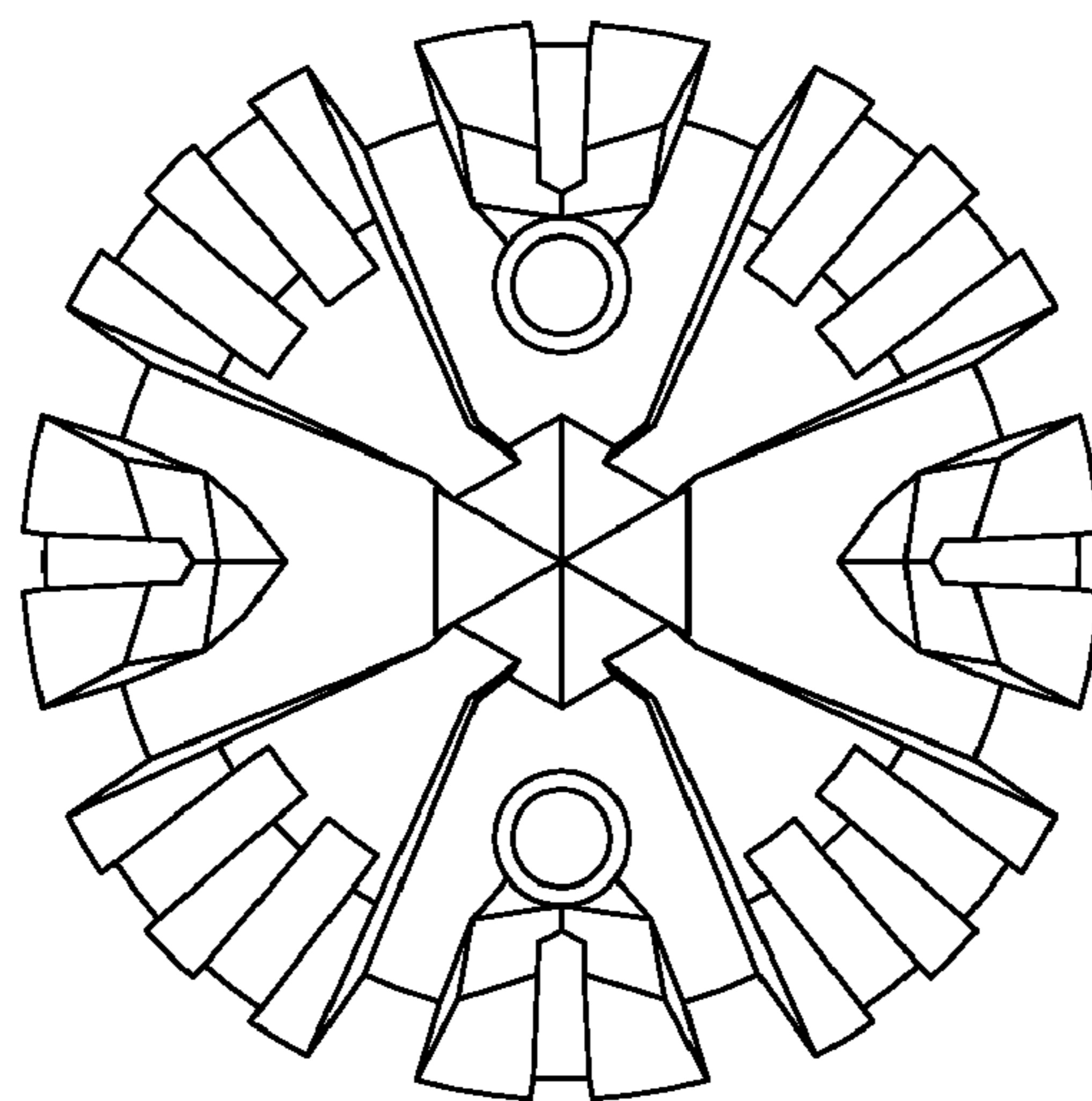


Fig. 6

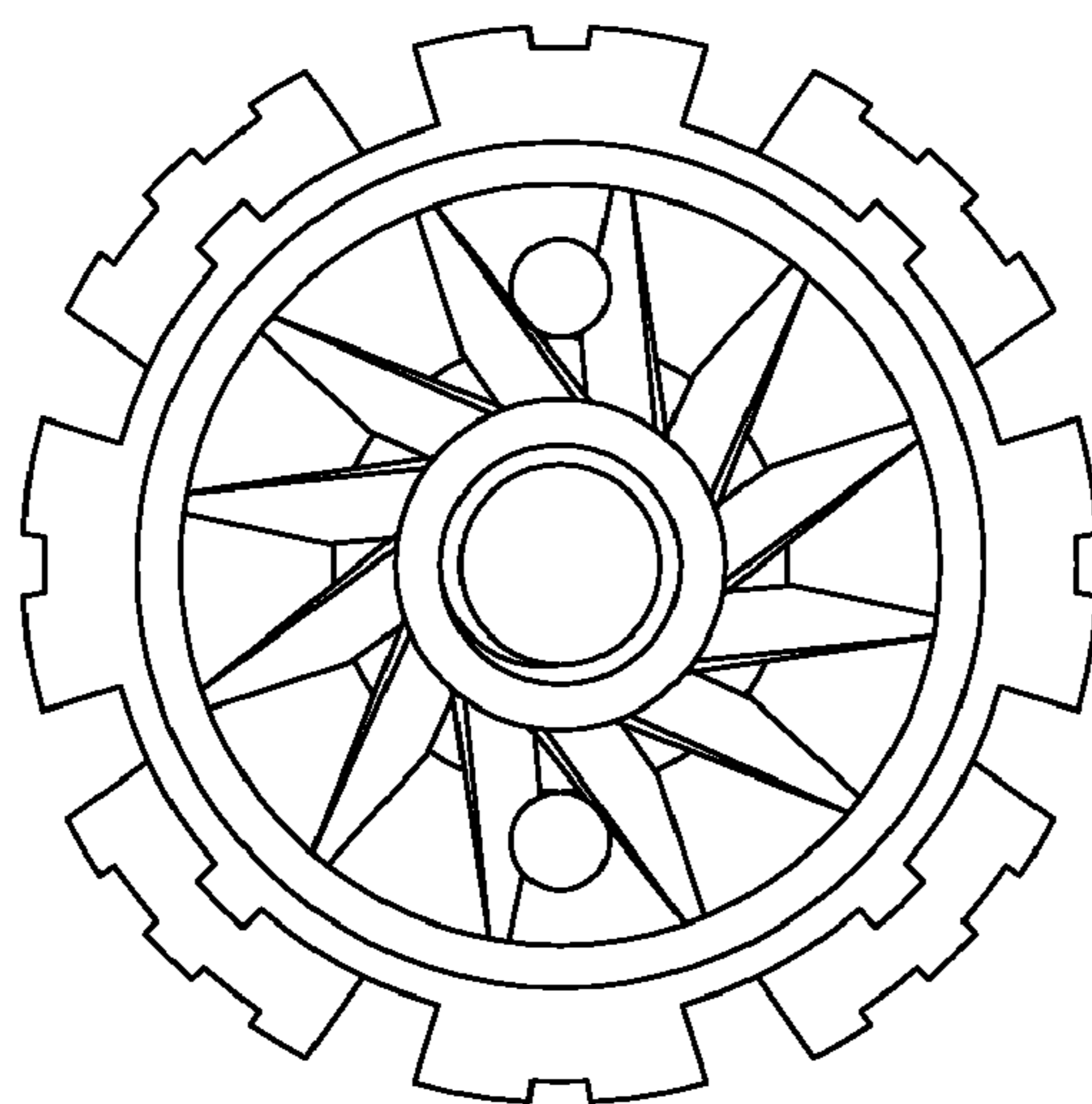


Fig. 7