



US00D557880S

(12) **United States Design Patent** (10) **Patent No.:** **US D557,880 S**  
**O'Connor-Cowley** (45) **Date of Patent:** **\*\* Dec. 25, 2007**

(54) **SLEEPING GARMENT**

(76) **Inventor:** **Elizabeth Ann O'Connor-Cowley**, P.O. Box 2244, Milton, Queensland 4064 (AU)

(\*\*) **Term:** **14 Years**

(21) **Appl. No.:** **29/258,744**

(22) **Filed:** **Apr. 26, 2006**

(51) **LOC (8) Cl.** ..... **02-02**

(52) **U.S. Cl.** ..... **D2/719**

(58) **Field of Classification Search** ..... D2/700,  
D2/724, 718-720, 744-747, 776, 828; 2/64,  
2/69, 69.5, 70, 71, 75, 80-83, 111, 914, 413 R;  
5/413 R

See application file for complete search history.

(56) **References Cited**

**U.S. PATENT DOCUMENTS**

1,159,788	A *	11/1915	Newbell	.....	5/413 R
1,926,194	A *	9/1933	White	.....	2/111
D153,262	S *	4/1949	Carpenter et al.	.....	D2/719
D163,809	S *	7/1951	Lehigh	.....	D2/719
3,845,513	A *	11/1974	Hubner	.....	2/69.5
D282,596	S *	2/1986	Bangert	.....	D2/719
D296,378	S *	6/1988	Coates	.....	D2/719
D446,907	S *	8/2001	Hall et al.	.....	D2/719

**FOREIGN PATENT DOCUMENTS**

FR 2600505 A1 \* 12/1987

**OTHER PUBLICATIONS**

Lynnes Kreative Fibers. <http://www.lynneskreativefibers.com/Sleepsack.html>. Oct. 2005. Beddie-Byes, Item A: center of page.\*  
Baby SuperMall.com, <http://www.babysupermall.com/main/products/nuz/nuz11202.html>. Copyright 1997-2006. BeddieBye Baby Safety Blanket and Baby Sleep Sack, Item B: center of page.\*  
Green Home Environmental Store. [http://www.greenhome.com/products/kids/baby\\_clothes/110939](http://www.greenhome.com/products/kids/baby_clothes/110939). Copyright 1999-2006. Diamond Sleep Sack, Item C: center of page.\*

\* cited by examiner

*Primary Examiner*—Ian Simmons

*Assistant Examiner*—R. Johnson

(74) *Attorney, Agent, or Firm*—Colin P. Abrahams

(57) **CLAIM**

The ornamental design for a sleeping garment, as shown.

**DESCRIPTION**

FIG. 1 is a front elevational view of a sleeping garment showing my new design;

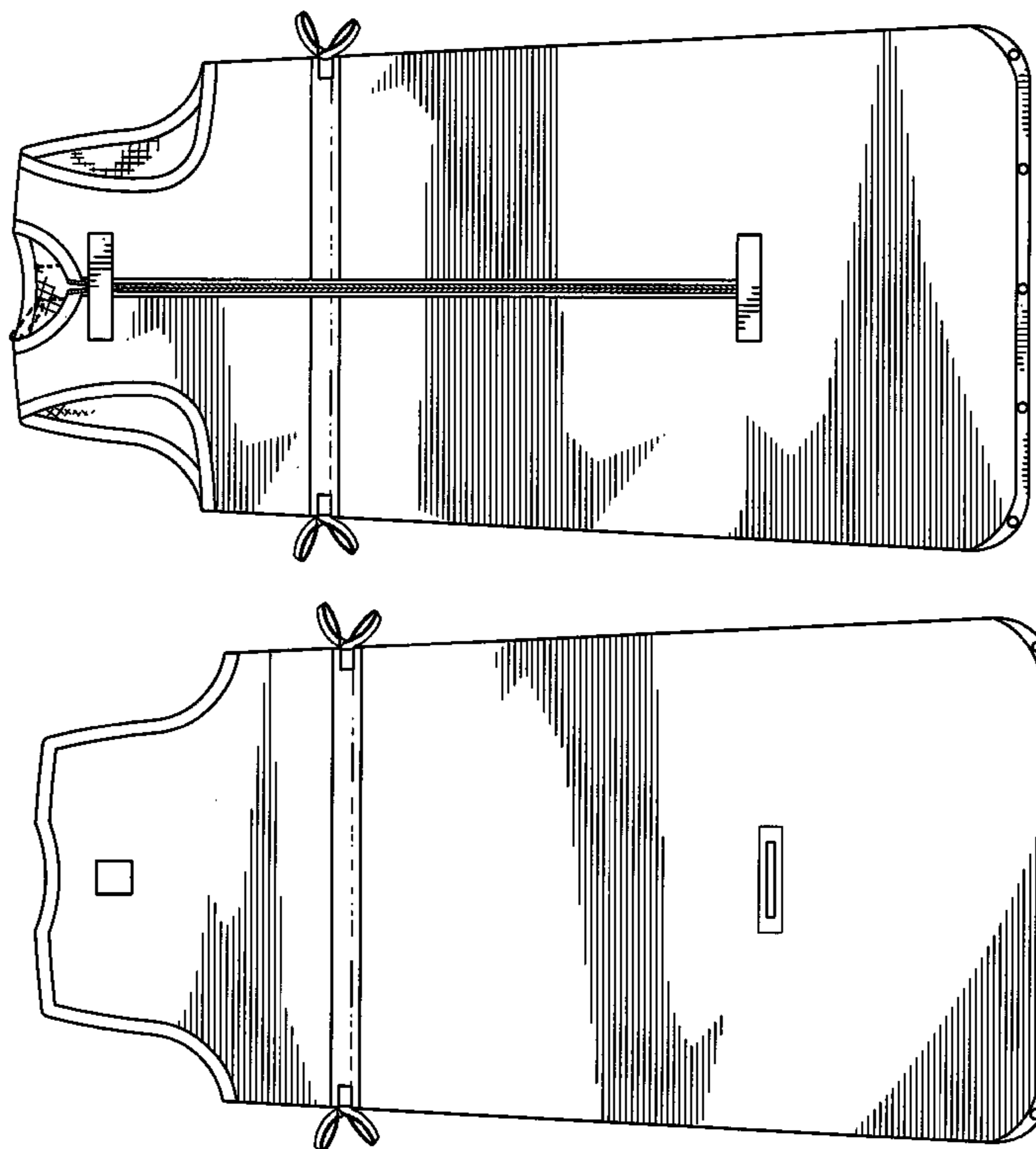
FIG. 2 is a front elevational view thereof, showing the upper portion of the garment opened;

FIG. 3 is a front elevational view thereof, showing the lower portion of the garment opened; and,

FIG. 4 is a rear elevational view thereof.

The broken lines shown in FIGS. 1-3 are included for the purpose of illustrating environmental structure and form no part of the claimed design.

**1 Claim, 4 Drawing Sheets**



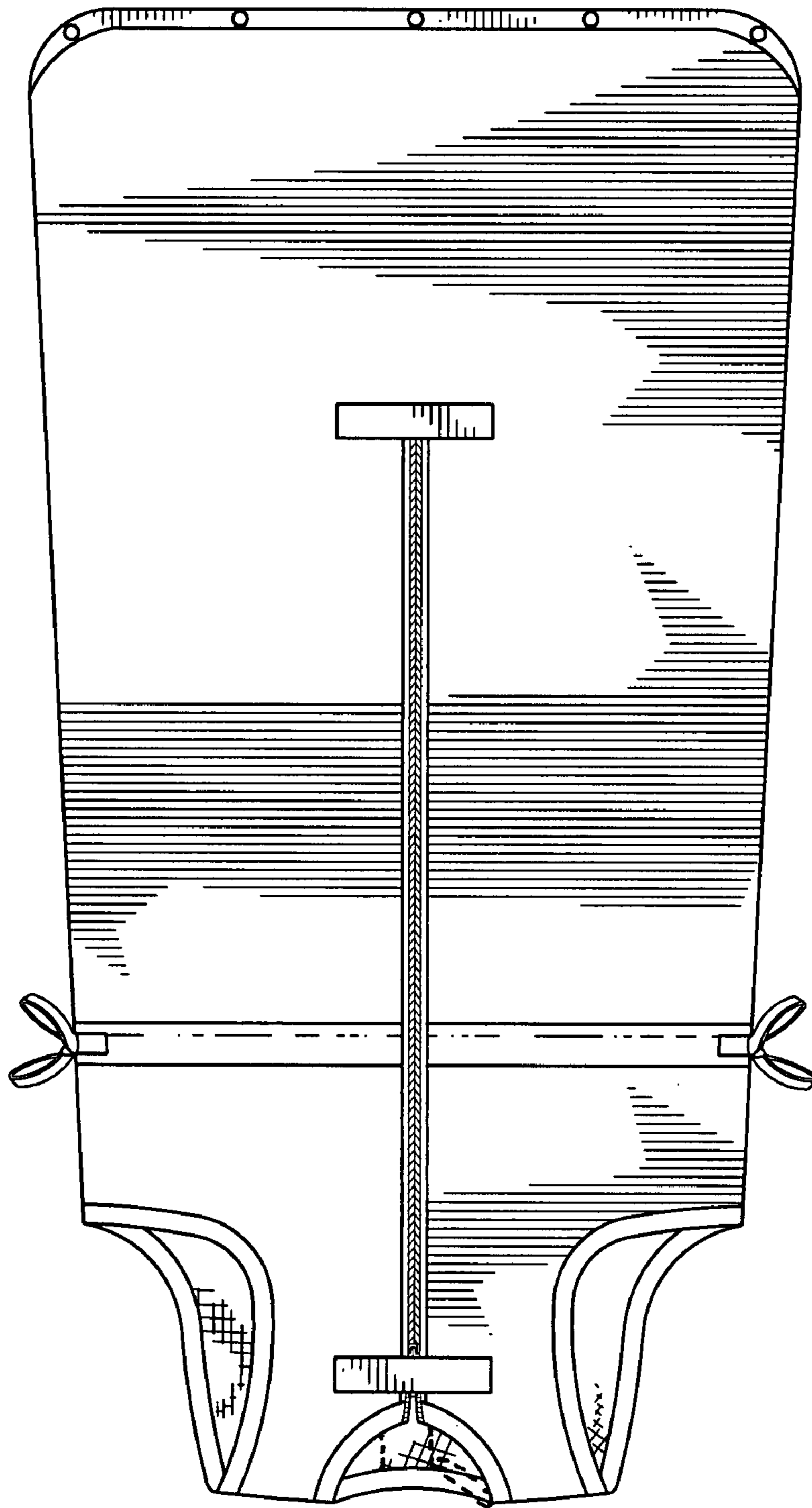


FIG. 1

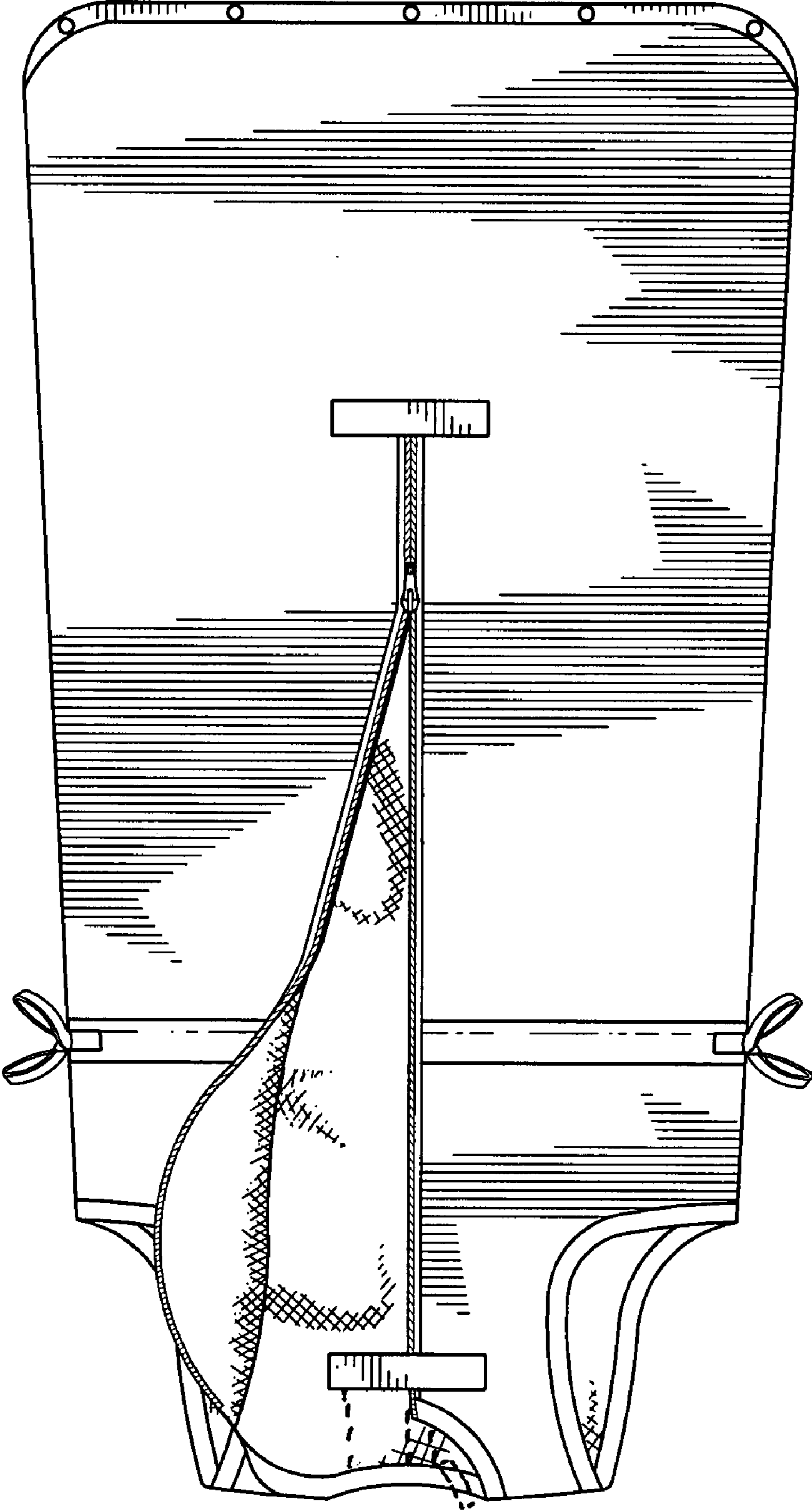


FIG. 2

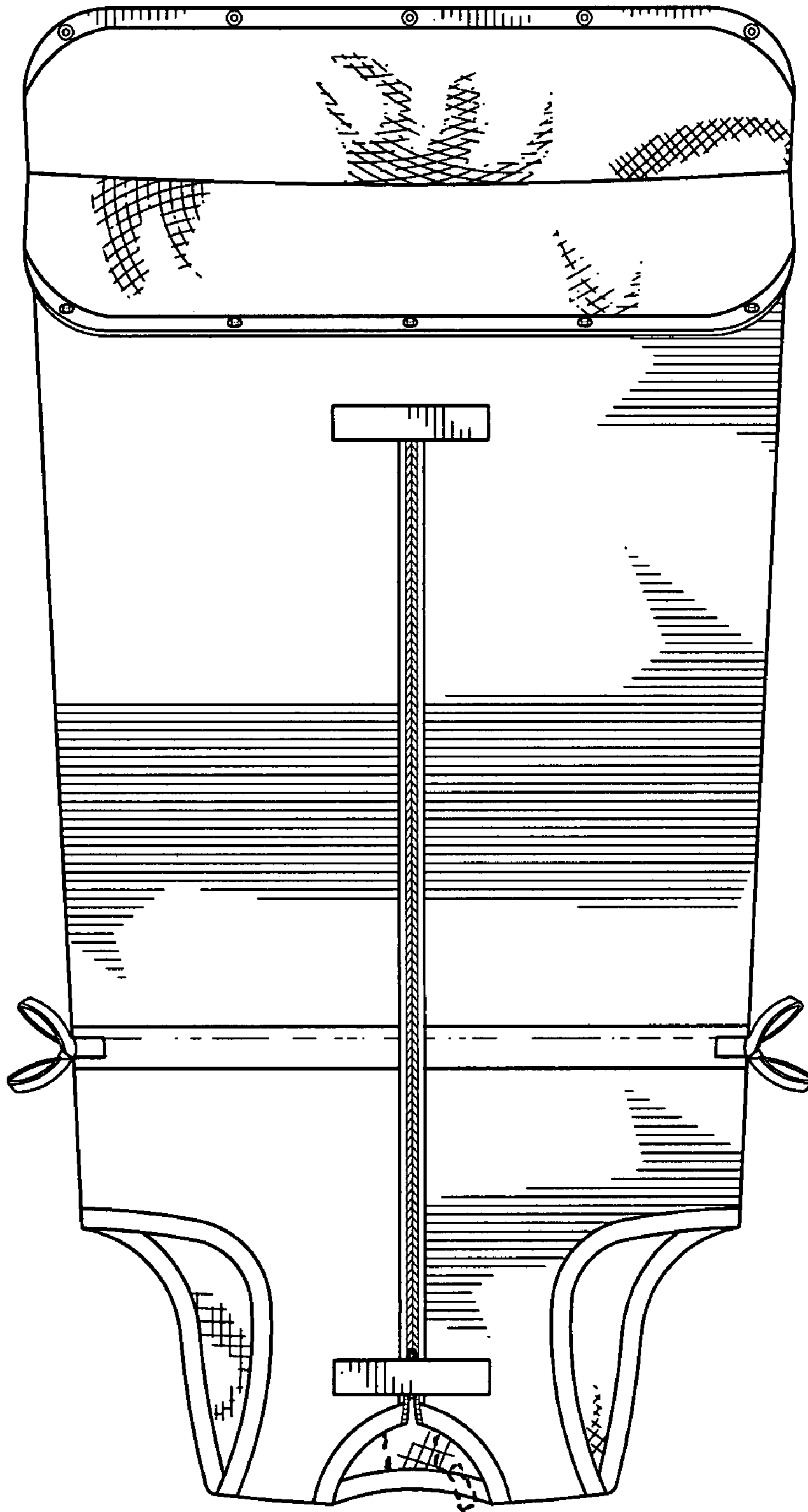


FIG. 3

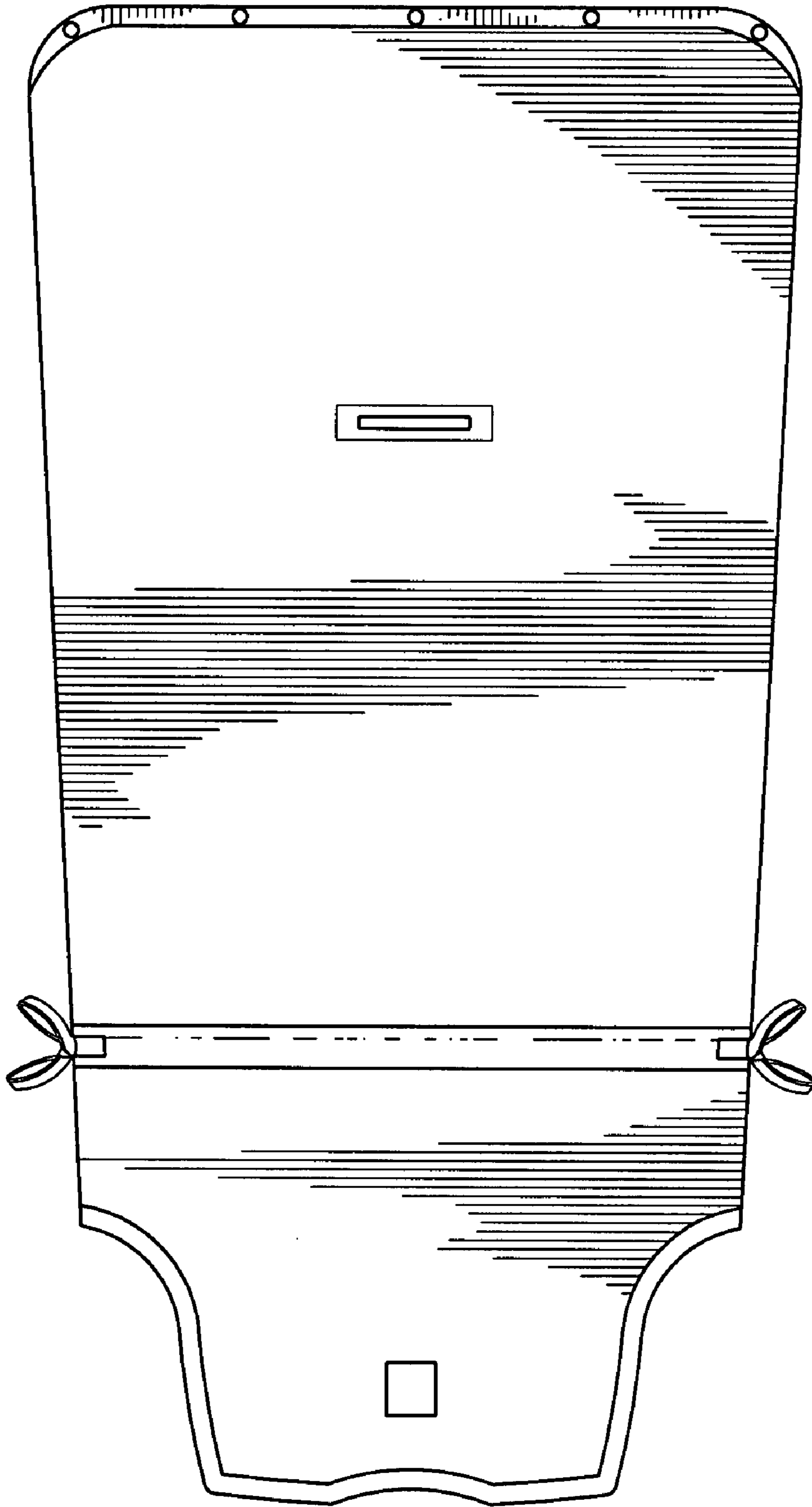


FIG. 4