



US00D557878S

(12) **United States Design Patent**  
**Haefner et al.**

(10) **Patent No.:** **US D557,878 S**

(45) **Date of Patent:** **\*\* Dec. 25, 2007**

(54) **BELT ADAPTED TO HOLD A CANE**

(76) Inventors: **Mark H. Haefner**, 10147 N. Shannon Hills La., Perrysburg, OH (US) 43551;  
**Rita Lammie**, 10147 N. Shannon Hills La., Perrysburg, OH (US) 43551

(\*\*) Term: **14 Years**

(21) Appl. No.: **29/273,983**

(22) Filed: **Mar. 19, 2007**

(51) **LOC (8) Cl.** ..... **02-07**

(52) **U.S. Cl.** ..... **D2/624; D2/627; D2/629**

(58) **Field of Classification Search** ..... D2/624, D2/627, 628, 629, 631, 639, 999; D3/5, D3/6, 7, 8, 10, 11, 12, 13, 14, 15; 2/300, 2/311, 312, 316, 319, 336, 338

See application file for complete search history.

(56) **References Cited**

U.S. PATENT DOCUMENTS

781,629	A *	2/1905	Ahlstrom	.....	224/251
D39,679	S *	12/1908	Hauser	.....	D2/629
2,589,126	A *	3/1952	Payne	.....	224/247
D291,746	S *	9/1987	Evans	.....	D3/228
4,915,279	A *	4/1990	Galbraith	.....	224/230
D314,277	S *	2/1991	Hackley	.....	D3/221
D364,912	S *	12/1995	Sowers	.....	D21/796
5,624,065	A *	4/1997	Steffe	.....	224/625
6,000,414	A *	12/1999	Crusor	.....	135/66

6,182,877	B1 *	2/2001	Rolfe	.....	224/407
6,502,283	B1 *	1/2003	Aguirre	.....	24/3.11
6,691,722	B2 *	2/2004	Hutchinson et al.	.....	135/65
D518,948	S *	4/2006	Calkins et al.	.....	D3/10
7,159,281	B1 *	1/2007	Irizarry	.....	24/3.12

\* cited by examiner

*Primary Examiner*—Stella M. Reid

*Assistant Examiner*—Elizabeth J Oswecki

(57) **CLAIM**

The ornamental design for a belt adapted to hold a cane, as shown and described.

**DESCRIPTION**

FIG. 1 is a perspective view of a belt adapted to hold a cane showing our new design;

FIG. 2 is a front elevation view thereof;

FIG. 3 is a back elevation view thereof;

FIG. 4 is a top plan view thereof;

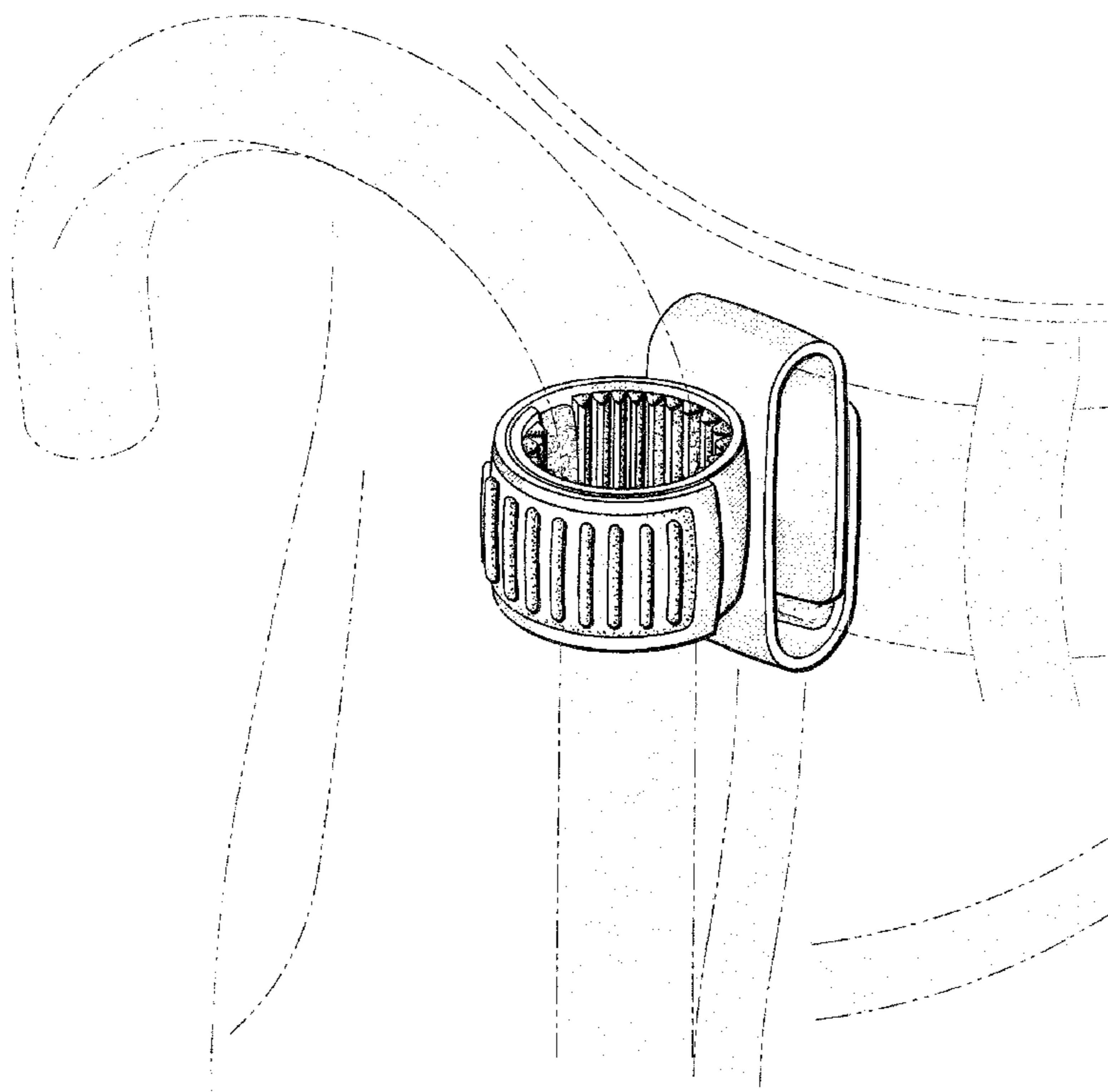
FIG. 5 is a bottom plan view thereof;

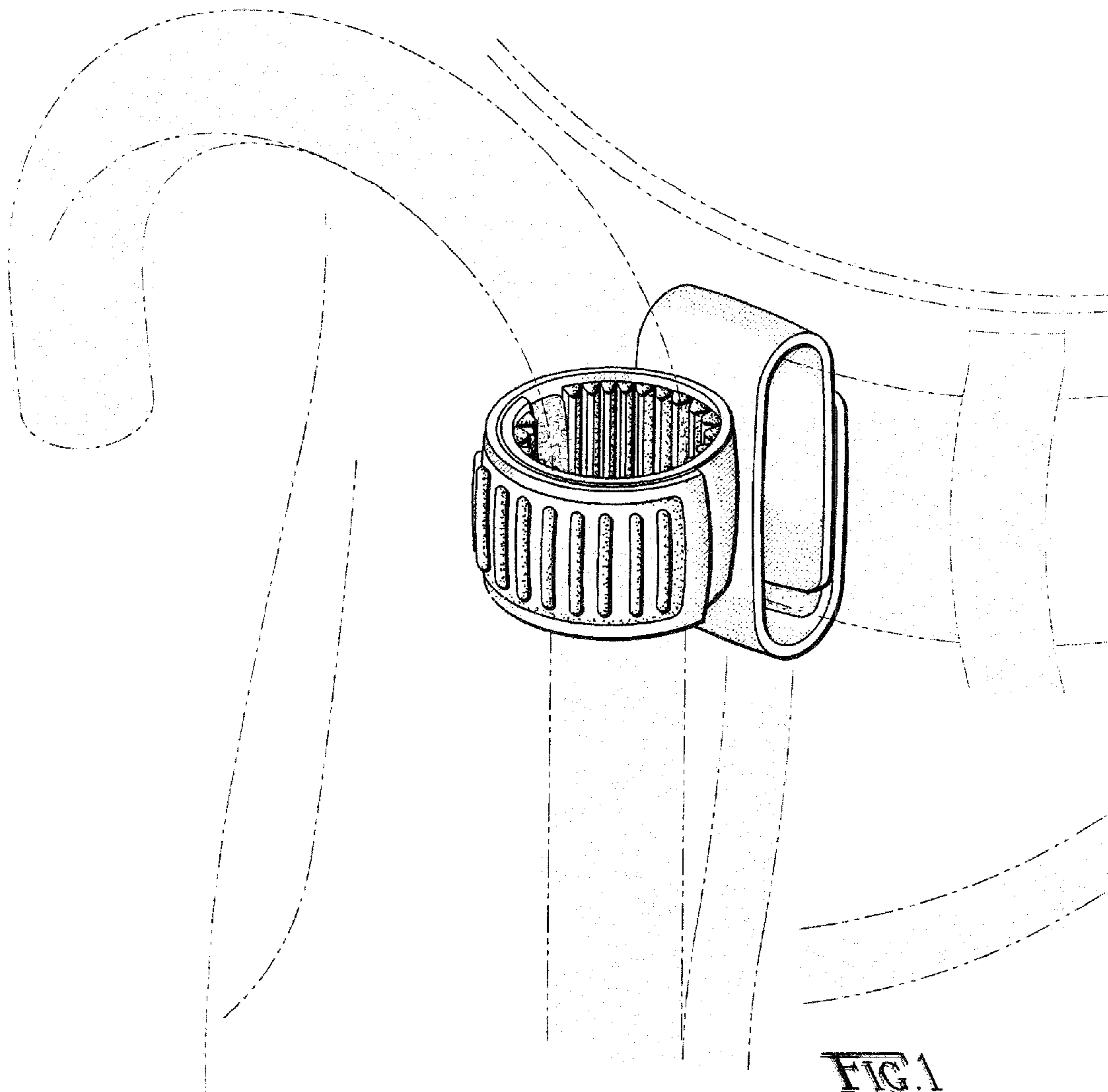
FIG. 6 is a right side view thereof; and,

FIG. 7 is a left side view thereof.

The features shown in broken lines in FIG. 1 are shown for illustrative purpose only and form no part of the claimed design.

**1 Claim, 3 Drawing Sheets**





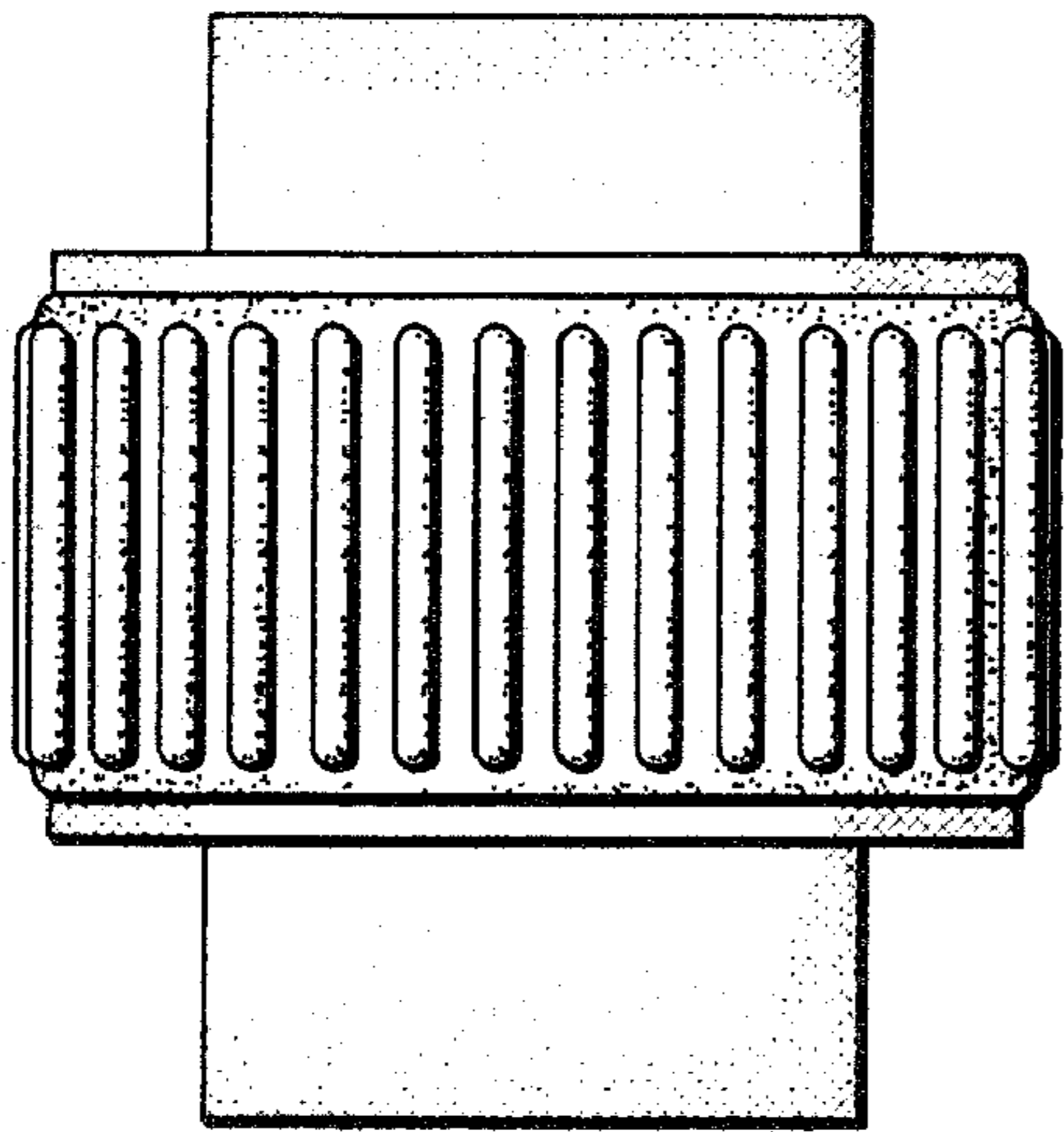


FIG. 2

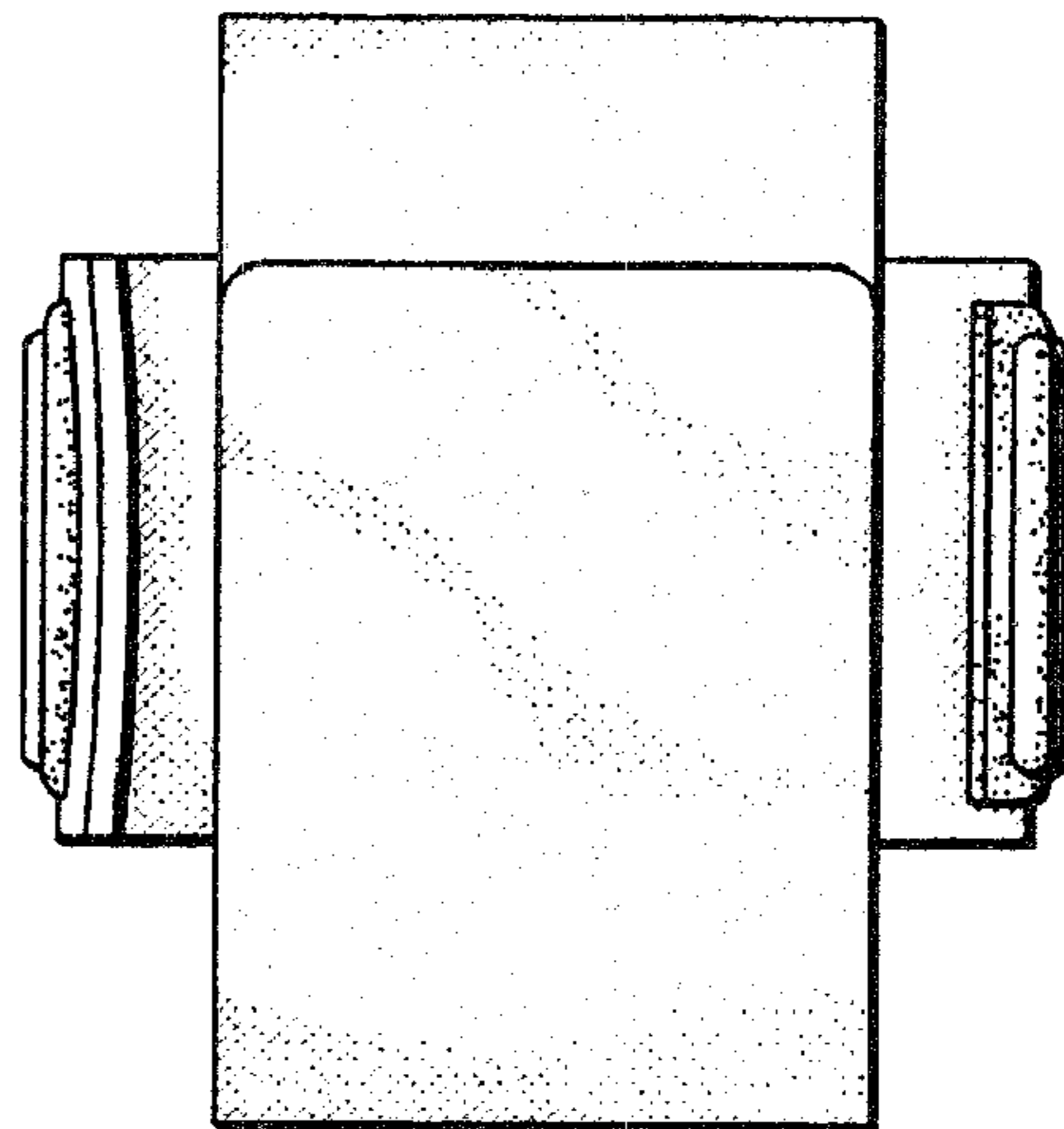


FIG. 3

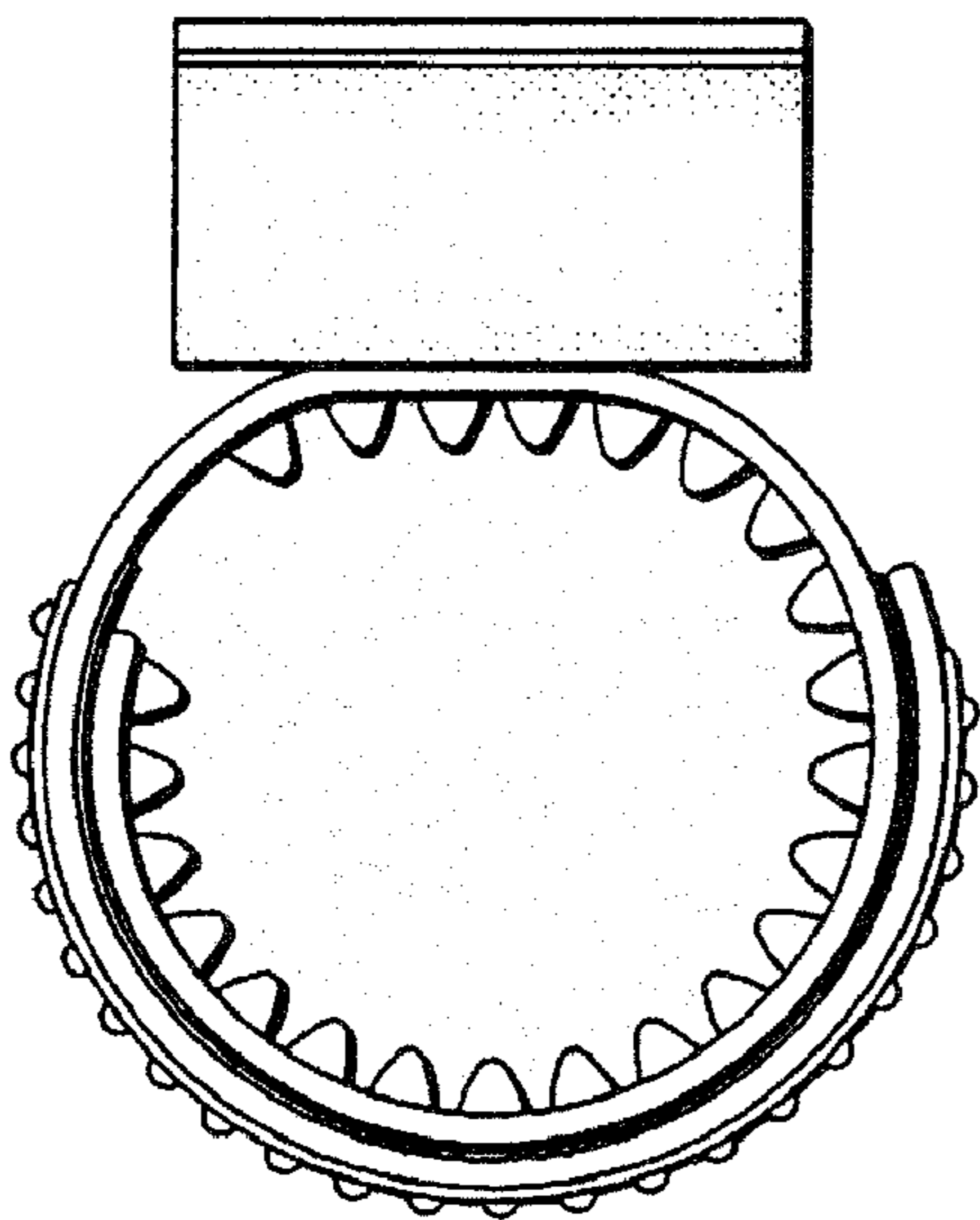


FIG. 4

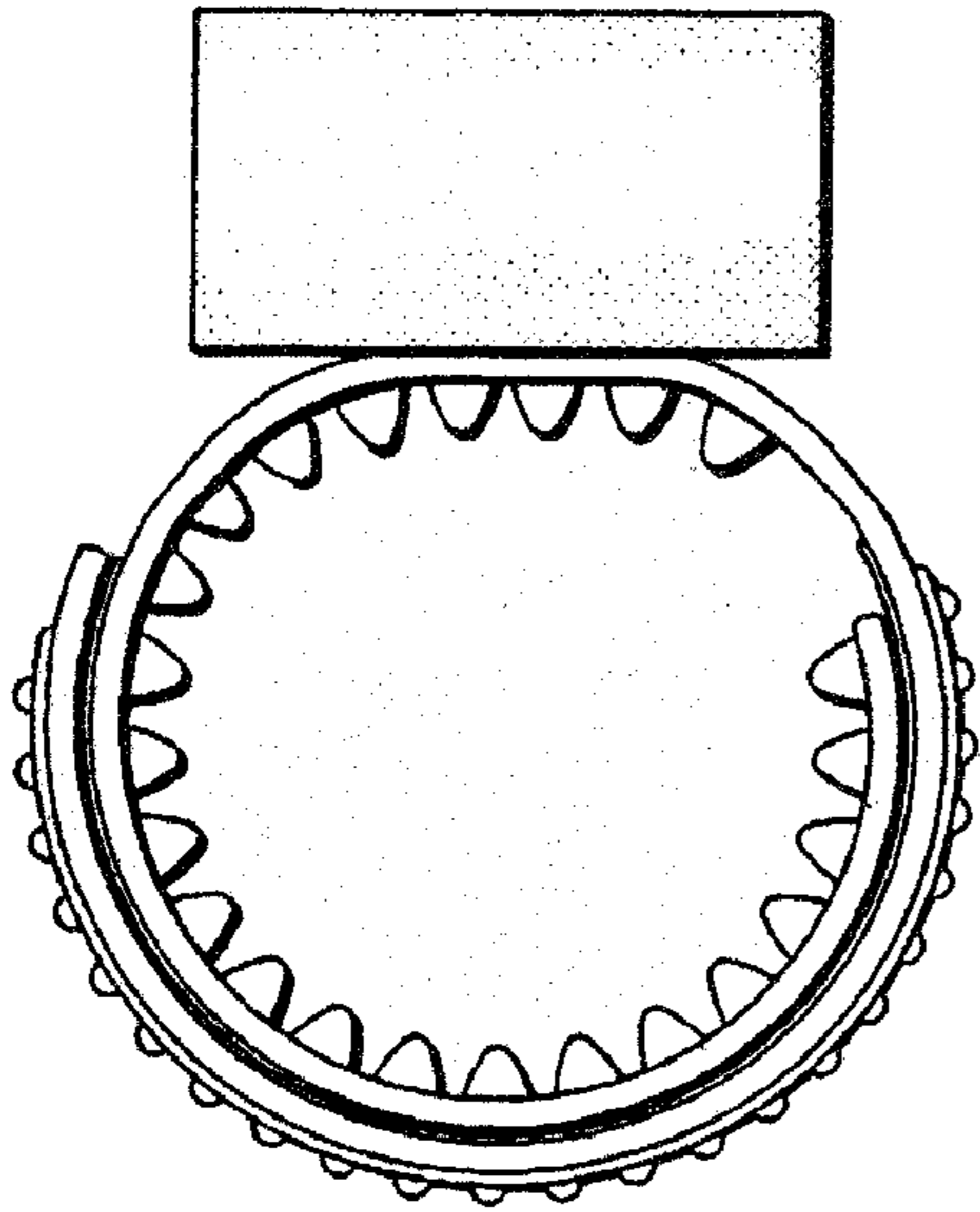


FIG. 5

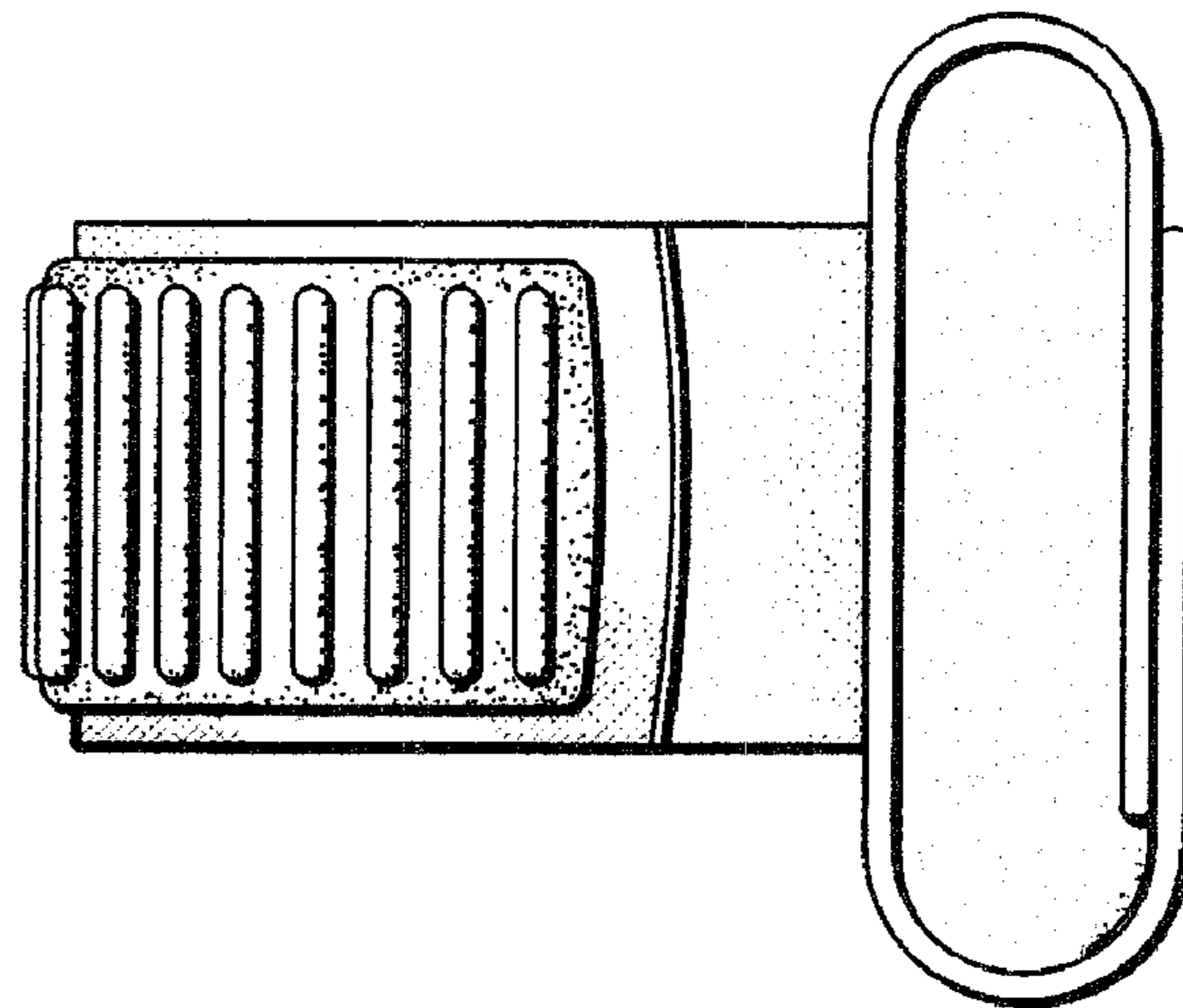


FIG. 6

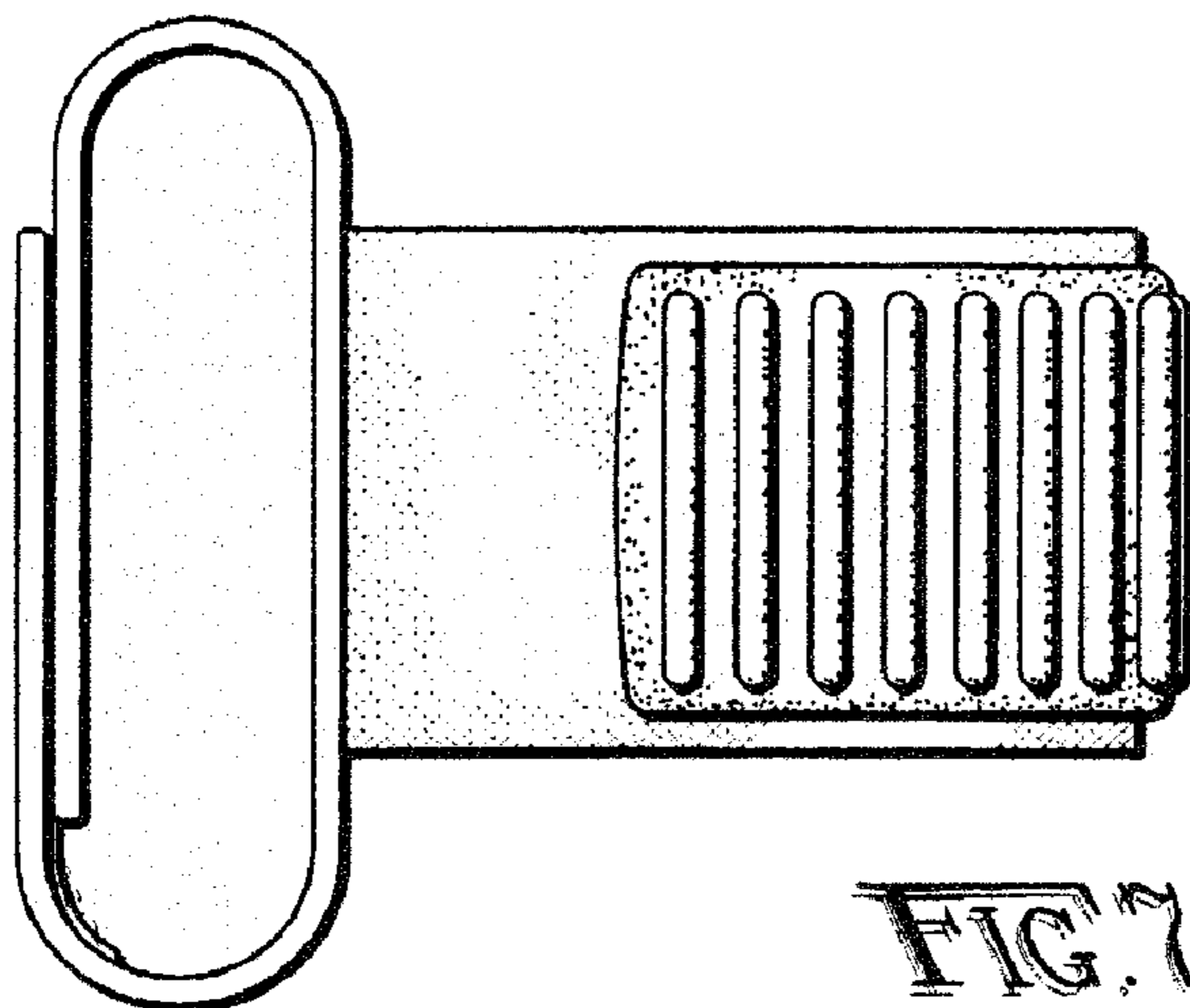


FIG. 7