



US00D557877S

(12) **United States Design Patent**
Maly et al.

(10) **Patent No.:** **US D557,877 S**

(45) **Date of Patent:** **** Dec. 25, 2007**

(54) **FOOD BAR**

(75) Inventors: **Eugene R. Maly**, Kentwood, MI (US);
Karen L. Alexander, Rockford, MI
(US); **Troy P. Nietling**, Lowell, MI
(US); **Souline Siou**, Temple City, CA
(US); **Thomas A Barton**, La Verne, CA
(US); **Denise W. Lam**, Irvine, CA (US);
Timothy R. Griffiths, Laguna Beach,
CA (US)

(73) Assignee: **Access Business Group International
LLC**, Ada, MI (US)

(**) Term: **14 Years**

(21) Appl. No.: **29/268,335**

(22) Filed: **Nov. 3, 2006**

(51) **LOC (8) Cl.** **01-01**

(52) **U.S. Cl.** **D1/125**

(58) **Field of Classification Search** D1/101,
D1/122, 125, 127-9, 199; 426/78, 89, 94,
426/96, 98, 102-4, 144, 249-50, 274, 279-82,
426/285, 289, 549, 576, 578, 658, 660-1,
426/383, 517, 808

See application file for complete search history.

(56) **References Cited**

U.S. PATENT DOCUMENTS

1,163,066	A *	12/1915	Carpenter	426/102
D68,619	S *	11/1925	Epstein	D1/127
D318,360	S *	7/1991	Sam	D1/129
D330,794	S *	11/1992	Kesdekoglu	D1/127
D358,927	S *	6/1995	Davis et al.	D1/125
D360,969	S *	8/1995	Uecker et al.	D1/125
D377,857	S *	2/1997	Borek et al.	D1/125
D428,682	S *	8/2000	Rapaport	D1/129

D432,756	S	10/2000	Rapaport	
D450,420	S	11/2001	Brost et al.	
D459,571	S *	7/2002	Borland et al. D1/199
D486,951	S *	2/2004	Ghaffari et al. D1/125
D487,181	S *	3/2004	Ghaffari et al. D1/125
D493,943	S	8/2004	Mendenhall	
D509,642	S *	9/2005	Cudjoe D1/127
D518,941	S	4/2006	Allen et al.	
2001/0002267	A1 *	5/2001	Rapaport 426/94

OTHER PUBLICATIONS

Genisoy Food Company, Inc., Genisoy Ultra Soy Protein Bar flyer, Natural Products Expo, West Anaheim, California (Mar. 2006).

* cited by examiner

Primary Examiner—Robin V. Webster

Assistant Examiner—Karen E Kearney

(74) *Attorney, Agent, or Firm*—Alticor Inc.

(57) **CLAIM**

The ornamental design for a food bar, as shown and described.

DESCRIPTION

FIG. 1 is a top perspective view of the food bar embodying a first embodiment of the new design;

FIG. 2 is a top plan view thereof;

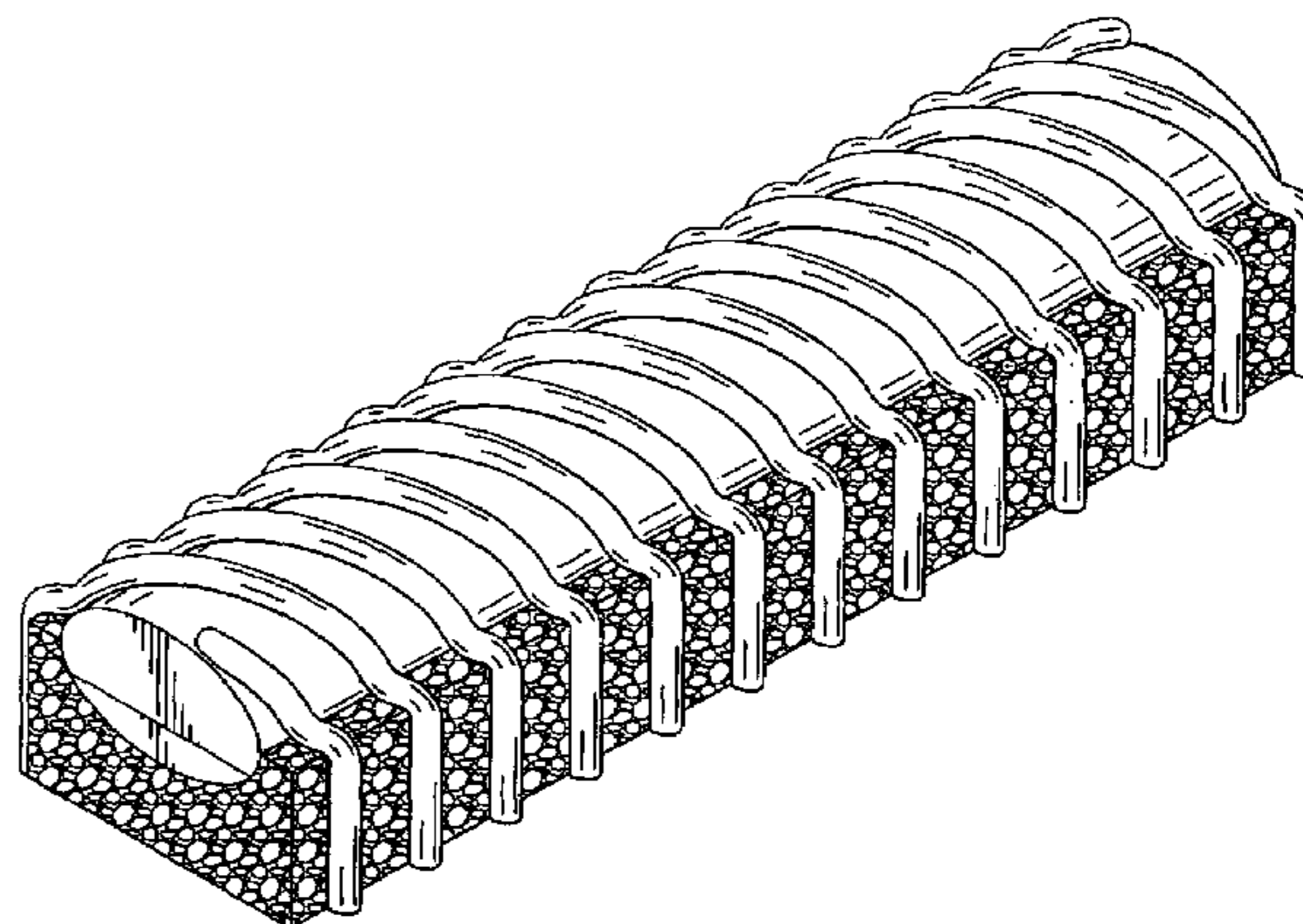
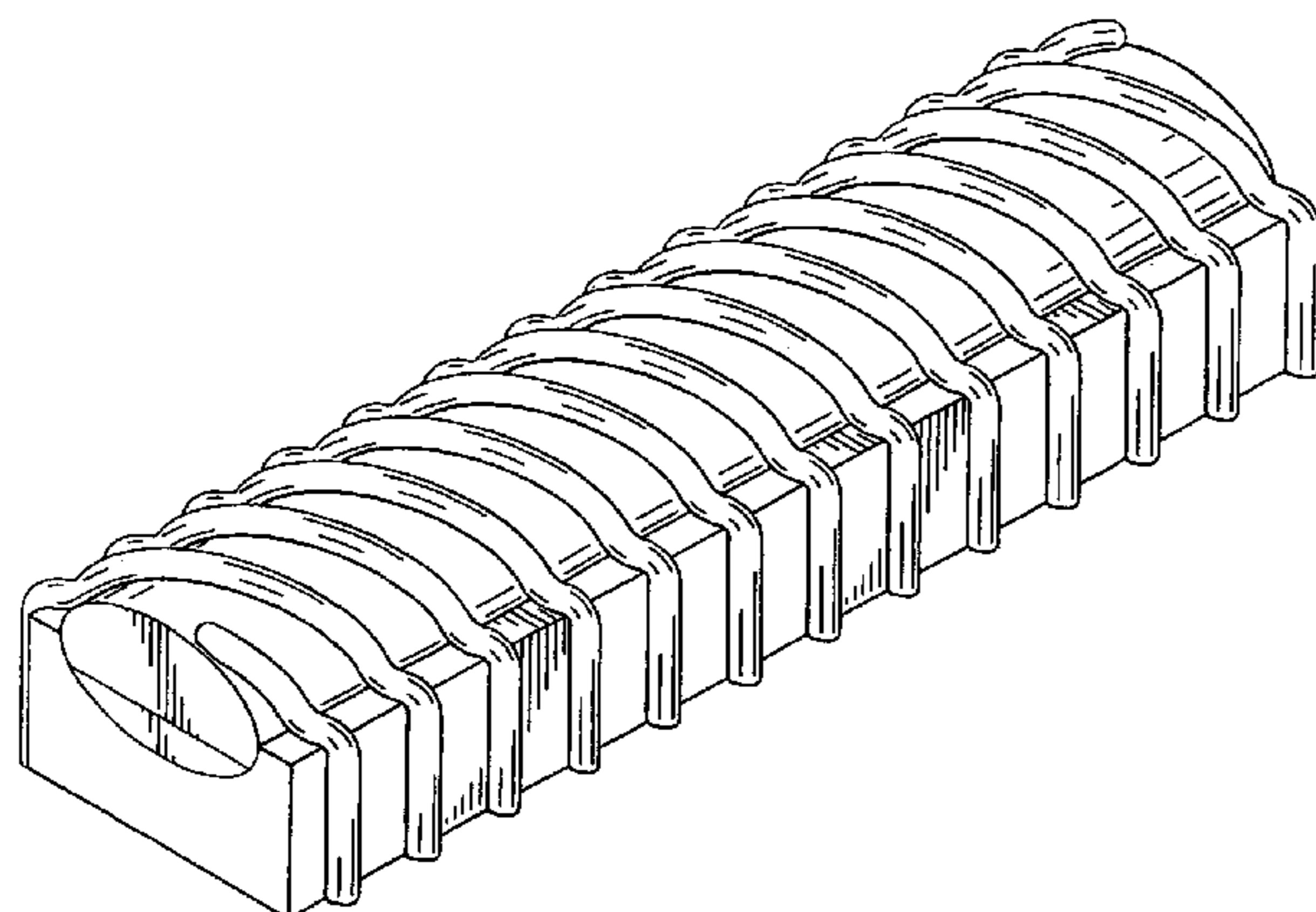
FIG. 3 is a bottom plan view thereof;

FIG. 4 is a right side elevational view, the left side being a mirror image thereof;

FIG. 5 is a front view, the back view being a mirror image thereof; and,

FIG. 6 is a top perspective view of the food bar embodying a second embodiment of the new design.

1 Claim, 4 Drawing Sheets



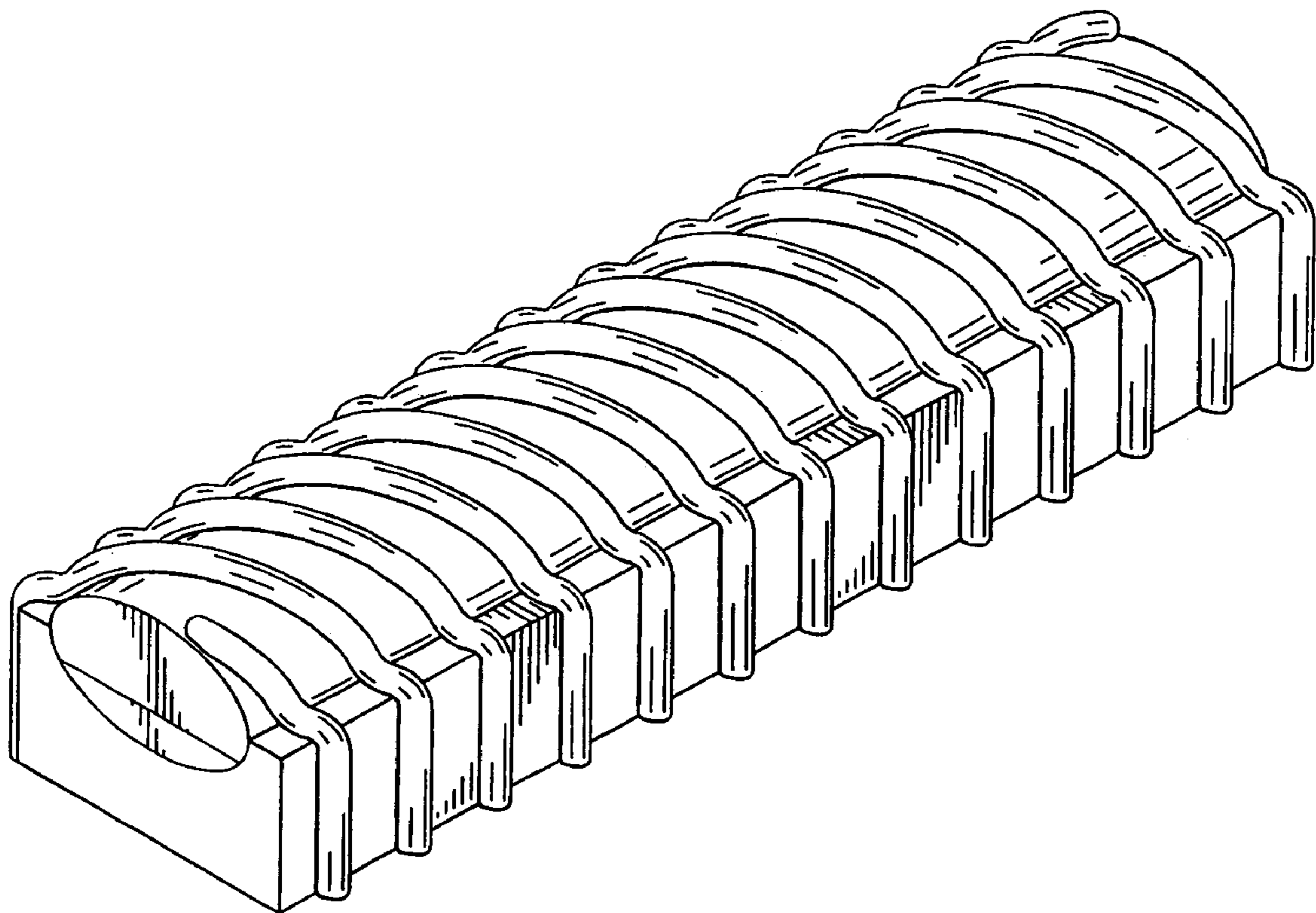


FIG. 1

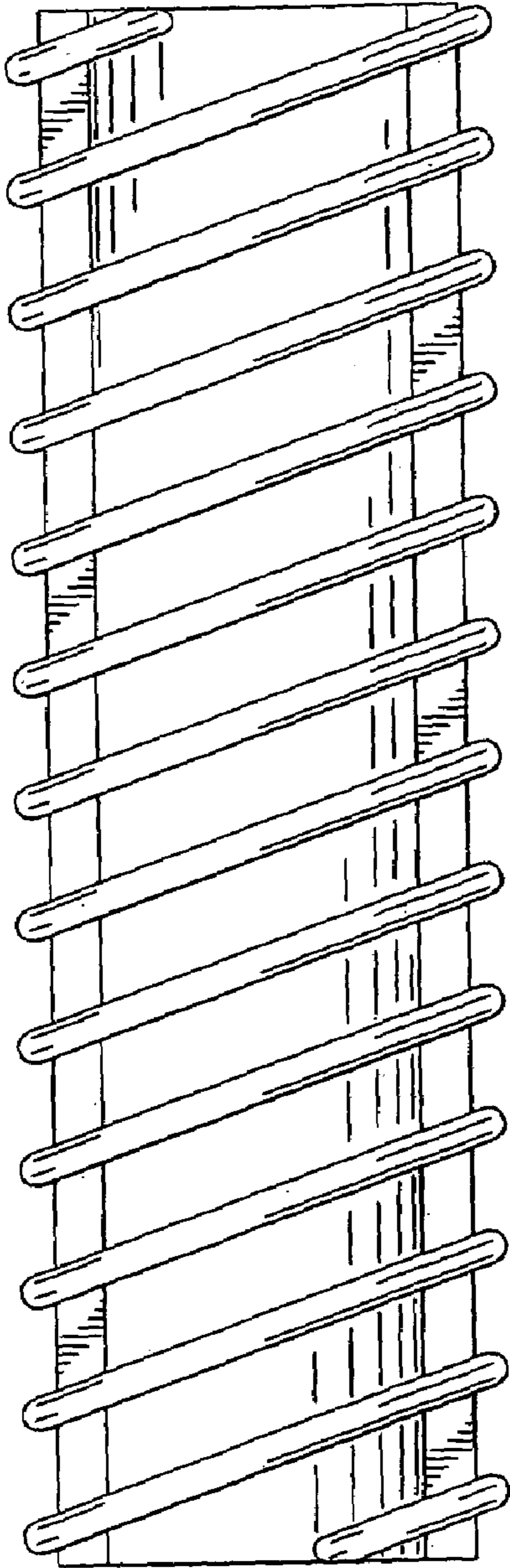


FIG. 2

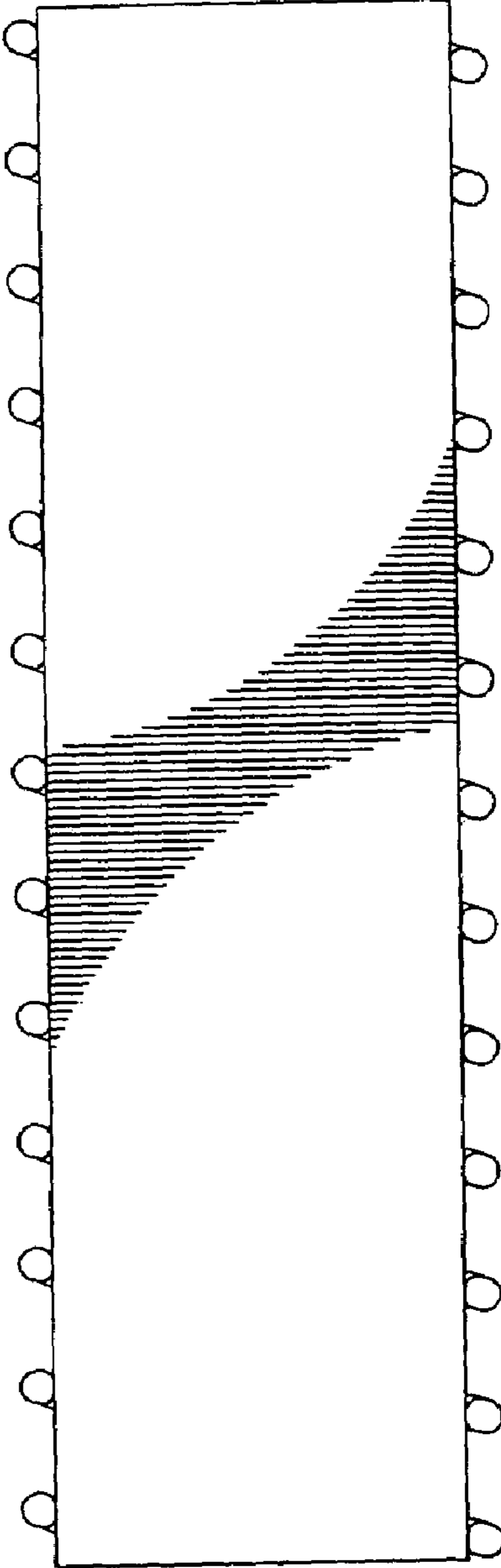


FIG. 3

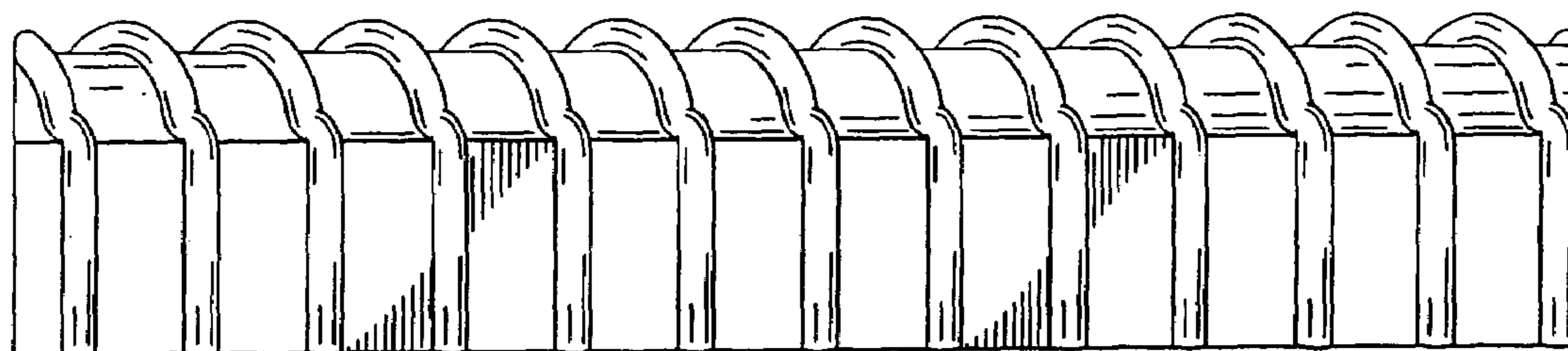


FIG. 4

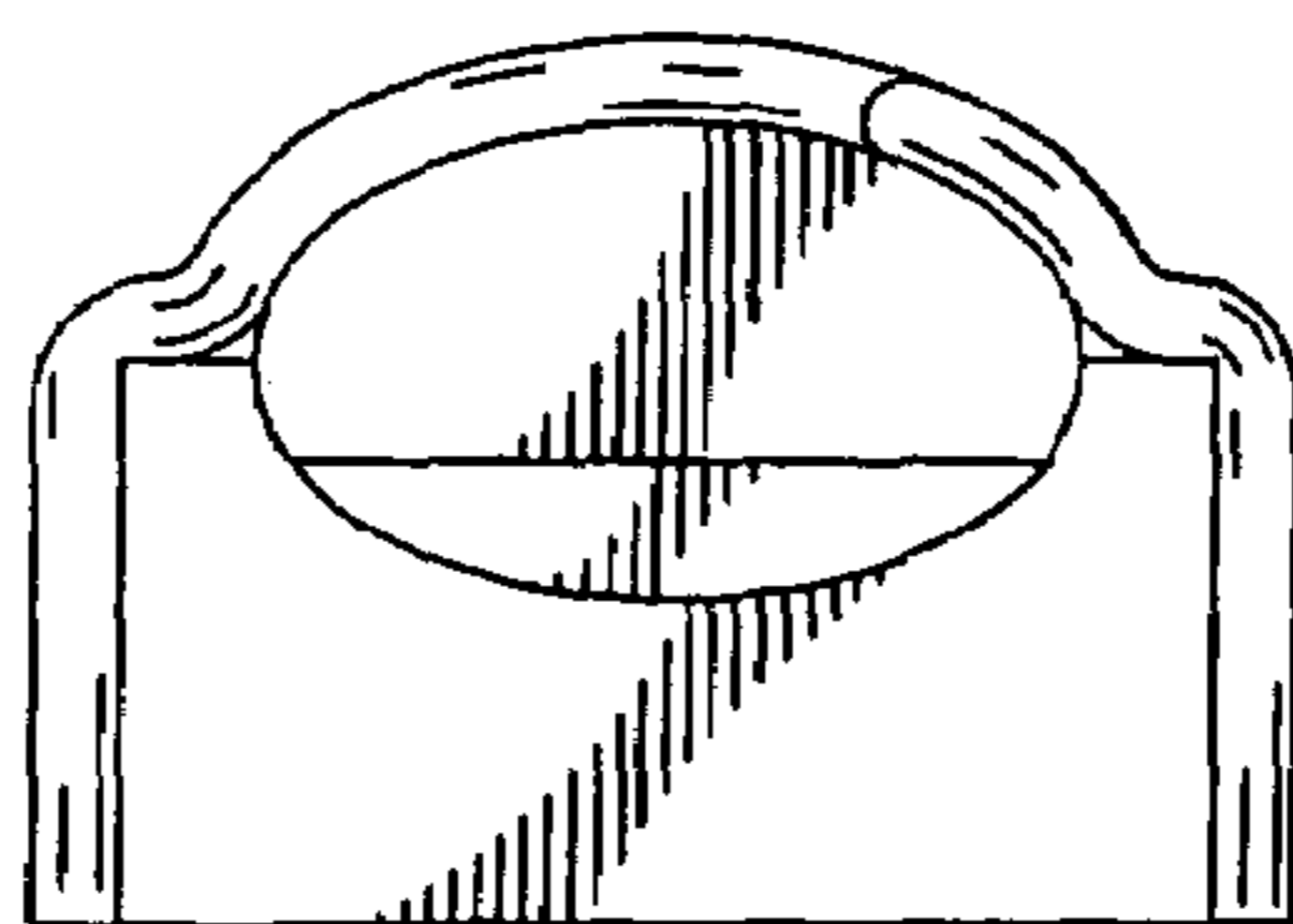


FIG. 5

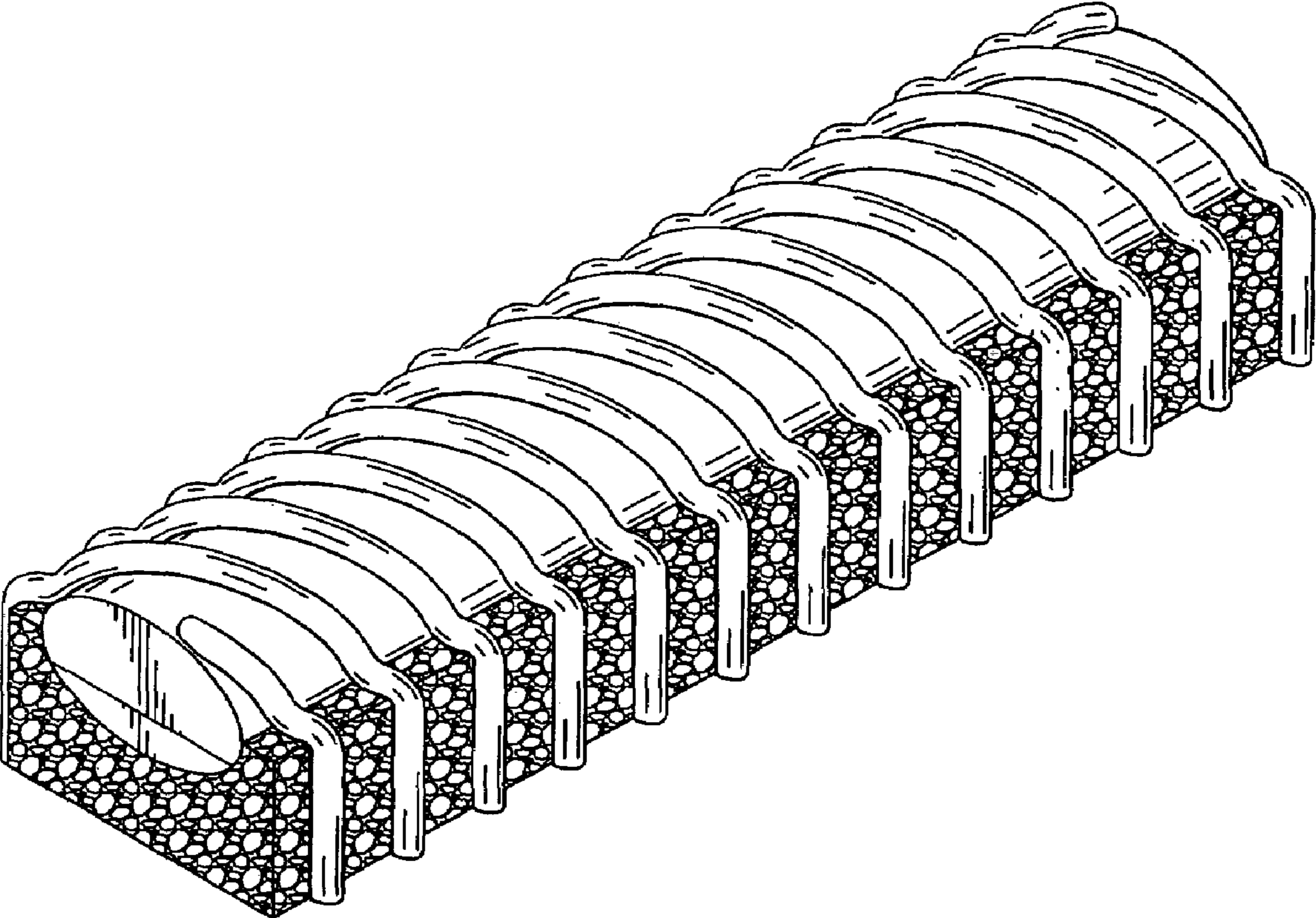


FIG. 6