



US00D557874S

(12) **United States Design Patent**
Dong

(10) **Patent No.:** **US D557,874 S**

(45) **Date of Patent:** **** Dec. 18, 2007**

(54) **PALLET**

(75) Inventor: **Jane Dong**, Seattle, WA (US)

(73) Assignee: **XM International, Inc.**, Hackensack, NJ (US)

(**) Term: **14 Years**

(21) Appl. No.: **29/264,708**

(22) Filed: **Aug. 16, 2006**

(30) **Foreign Application Priority Data**

Jun. 12, 2006 (CN) 2006 3 0037600

(51) **LOC (8) Cl.** **09-08**

(52) **U.S. Cl.** **D34/38**

(58) **Field of Classification Search** D34/38;
108/51.11, 901, 56.3, 53.1, 53.3, 51.3
See application file for complete search history.

(56) **References Cited**

U.S. PATENT DOCUMENTS

D221,636 S *	8/1971	Moses	D34/38
4,675,929 A	6/1987	Santo		
4,694,962 A	9/1987	Taub		
5,105,746 A	4/1992	Reynolds		
5,267,516 A	12/1993	Abrahamson et al.		
5,351,627 A	10/1994	Junaedi		
D357,108 S *	4/1995	Hutchison	D34/38
5,809,905 A	9/1998	John et al.		
5,860,369 A	1/1999	John et al.		
5,887,529 A	3/1999	John et al.		
D422,768 S *	4/2000	Gunn	D34/38

D422,769 S *	4/2000	Schmitt	D34/38
D435,953 S *	1/2001	Lux, Jr.	D34/38
D447,310 S *	8/2001	Pope et al.	D34/38
D450,906 S *	11/2001	Schepers	D34/38
D452,057 S *	12/2001	French et al.	D34/38
D495,460 S *	8/2004	Apps et al.	D34/38

FOREIGN PATENT DOCUMENTS

ES	2255394	6/2006
ES	2255827	7/2006
FR	2568856	2/1986
FR	2585671	2/1987

* cited by examiner

Primary Examiner—Cynthia E. Ramirez

(74) *Attorney, Agent, or Firm*—Brandon N. Sklar; Kaye Scholer LLP

(57) **CLAIM**

The ornamental design for a pallet, as shown and described.

DESCRIPTION

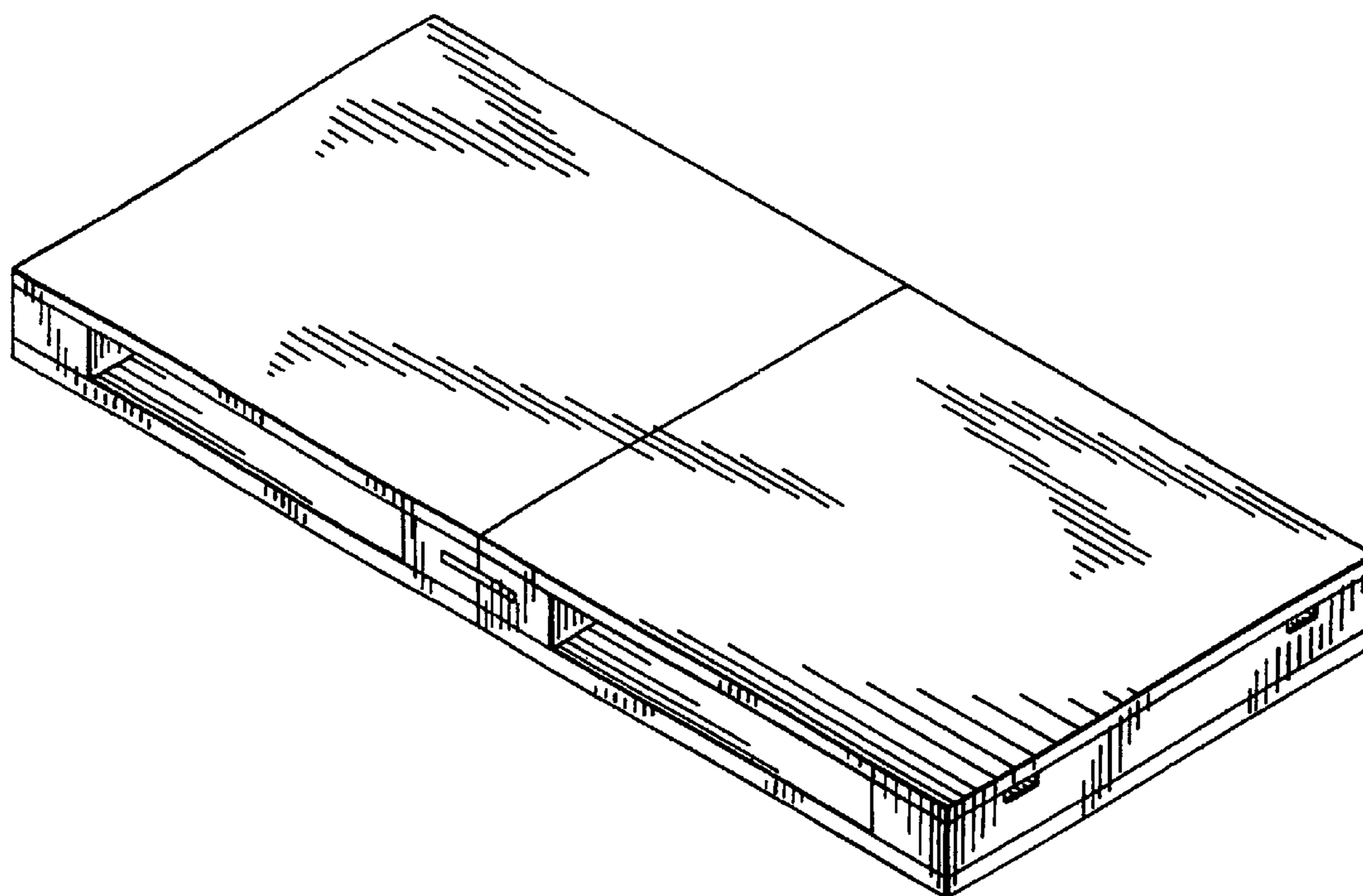
FIG. 1 is a perspective view of a pallet showing my design. A top, front, and right side of the pallet are shown.

FIG. 2 is a right side elevational view thereof. The left side elevational view is a mirror image of the right side elevational view of FIG. 2; and,

FIG. 3 is a rear elevational view thereof. The front elevational view is a mirror image of the rear elevational view of FIG. 3.

The bottom view is a mirror image of the top view shown in FIG. 1.

1 Claim, 2 Drawing Sheets



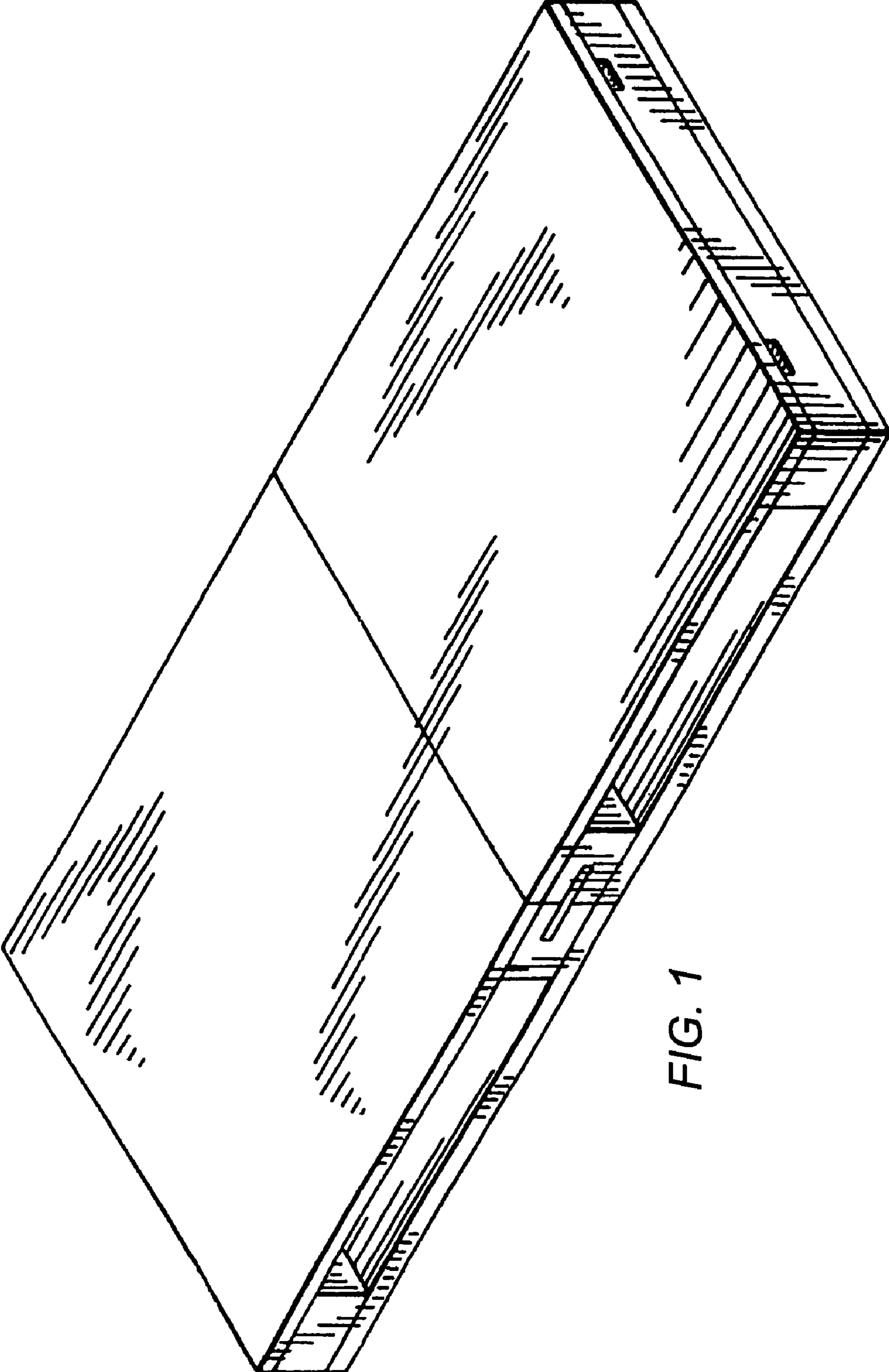


FIG. 1

FIG. 2

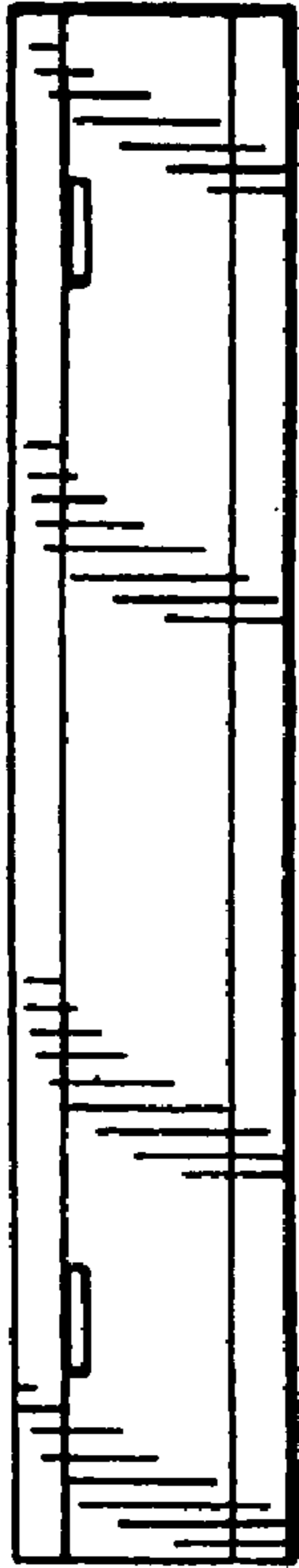


FIG. 3

