



US00D557873S

(12) **United States Design Patent**
Miura

(10) **Patent No.:** **US D557,873 S**

(45) **Date of Patent:** **** Dec. 18, 2007**

(54) **HEAD GUARD FOR WORKING VEHICLES**

(75) Inventor: **Tomomichi Miura**, Kariya (JP)

(73) Assignee: **Kabushiki Kaisha Toyota Jidoshokki**,
Kariya-shi (JP)

(**) Term: **14 Years**

(21) Appl. No.: **29/266,939**

(22) Filed: **Sep. 29, 2006**

(30) **Foreign Application Priority Data**

Mar. 31, 2006 (JP) 2006-008567

(51) **LOC (8) Cl.** **12-05**

(52) **U.S. Cl.** **D34/35**

(58) **Field of Classification Search** D34/34,
D34/35; 180/89.12, 89.13, 89.17; 414/572,
414/592, 631; 187/222, 237, 238

See application file for complete search history.

(56) **References Cited**

U.S. PATENT DOCUMENTS

- D271,151 S * 10/1983 Kirby et al. D34/35
- D327,356 S * 6/1992 Laatsch D34/34
- 5,184,699 A * 2/1993 Aoki et al. 187/224
- D346,259 S * 4/1994 Laatsch D34/34
- D353,931 S * 12/1994 Kobayakawa et al. D34/34
- D354,604 S * 1/1995 Soederberg D34/34
- 5,524,721 A * 6/1996 Yamauchi 180/69.2
- 5,560,451 A * 10/1996 Hincks 187/237
- D386,877 S * 11/1997 Russey et al. D34/34
- D393,134 S * 3/1998 Mariano D34/34
- D393,516 S * 4/1998 Hahn et al. D34/34
- D396,928 S * 8/1998 Hahn et al. D34/34
- 5,881,842 A * 3/1999 Kikukawa 187/222
- D411,681 S * 6/1999 Murakami et al. D34/34
- D412,385 S * 7/1999 Murakami et al. D34/34
- D427,409 S * 6/2000 Sato et al. D34/34
- D448,136 S * 9/2001 Yurushi et al. D34/34
- D452,598 S * 12/2001 Sato D34/34

- D466,268 S * 11/2002 Kraimer et al. D34/34
- D466,669 S * 12/2002 Kraimer et al. D34/34
- D468,885 S * 1/2003 Salin et al. D34/34
- D469,236 S * 1/2003 Mitsuyoshi et al. D34/34
- D470,990 S * 2/2003 Han et al. D34/34
- D471,339 S * 3/2003 Mori D34/34
- D471,340 S * 3/2003 Shibata et al. D34/34
- D492,831 S * 7/2004 Kouyama D34/34
- D518,268 S * 3/2006 Stark D34/34
- D526,460 S * 8/2006 Goto et al. D34/34
- D536,504 S * 2/2007 Righi D34/34
- D538,004 S * 3/2007 Kouyama et al. D34/34
- D542,004 S * 5/2007 Righi D34/34
- D542,503 S * 5/2007 Righi D34/34

* cited by examiner

Primary Examiner—Cynthia E. Ramirez

(74) *Attorney, Agent, or Firm*—Morgan & Finnegan, L.L.P.

(57) **CLAIM**

The ornamental design for a head guard for working vehicles, as shown and described.

DESCRIPTION

FIG. 1 is a front perspective view of a head guard for working vehicles showing my new design;

FIG. 2 is a rear perspective view thereof;

FIG. 3 is a front view thereof, the rear view being a mirror image thereof;

FIG. 4 is a top plan view thereof;

FIG. 5 is a bottom plan view thereof;

FIG. 6 is a right side elevational view thereof; and,

FIG. 7 is a left side elevational view thereof.

The broken lines are shown for illustrative purposes only and form no part of the claimed design. The dot-dashed lines denote the boundary of the claim, and form no part of the claimed design.

1 Claim, 7 Drawing Sheets

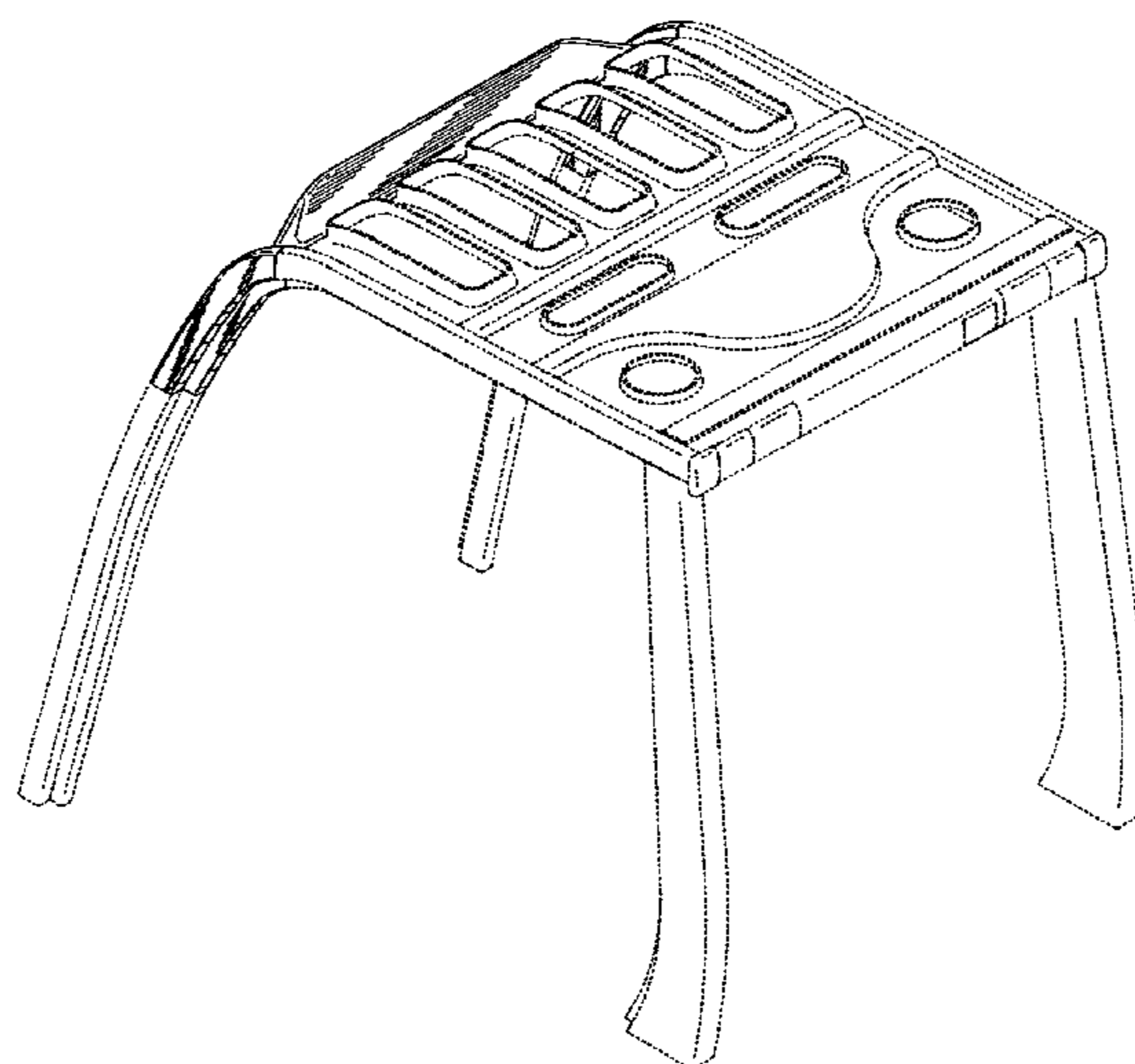


FIG. 1

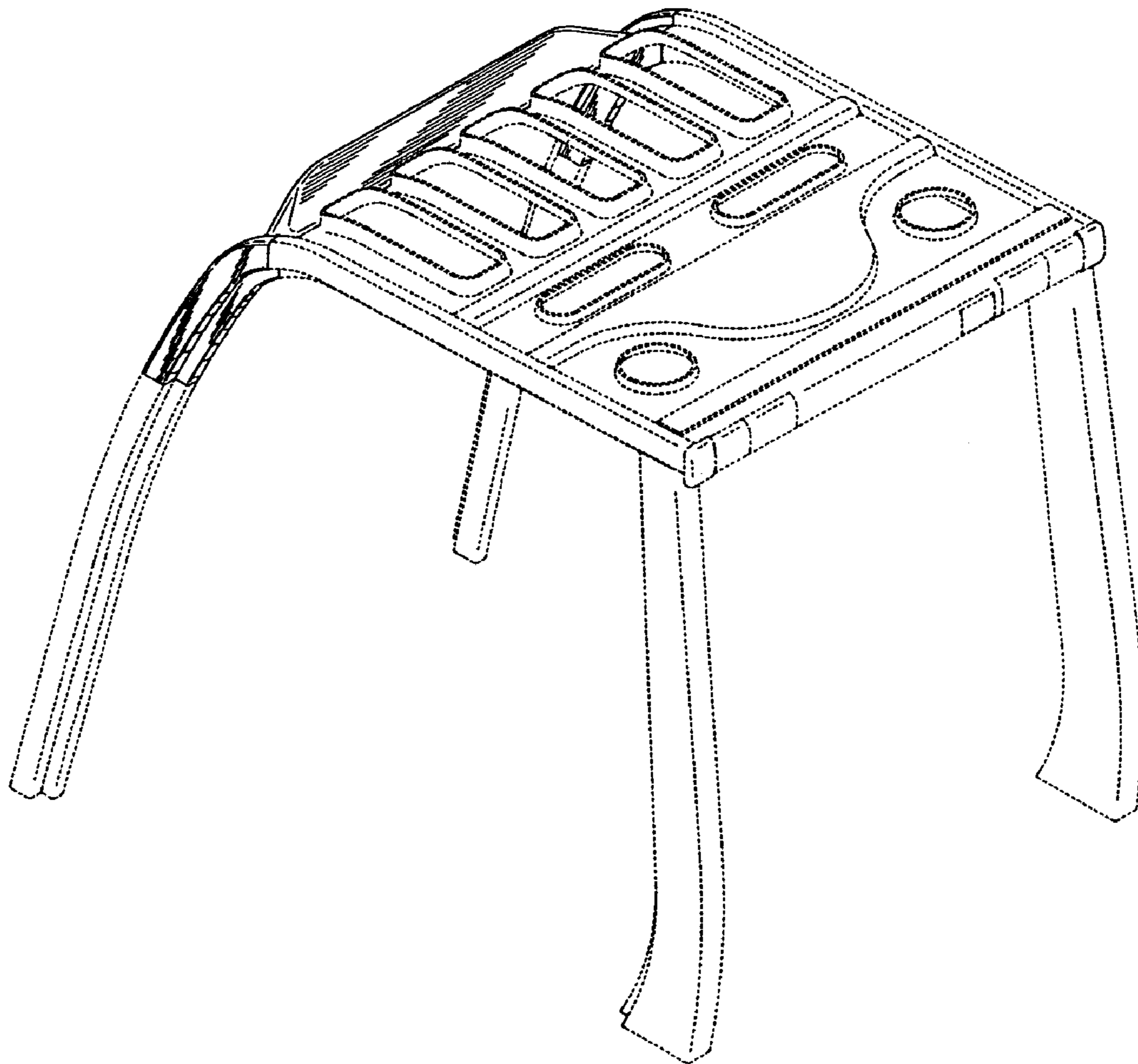


FIG. 2

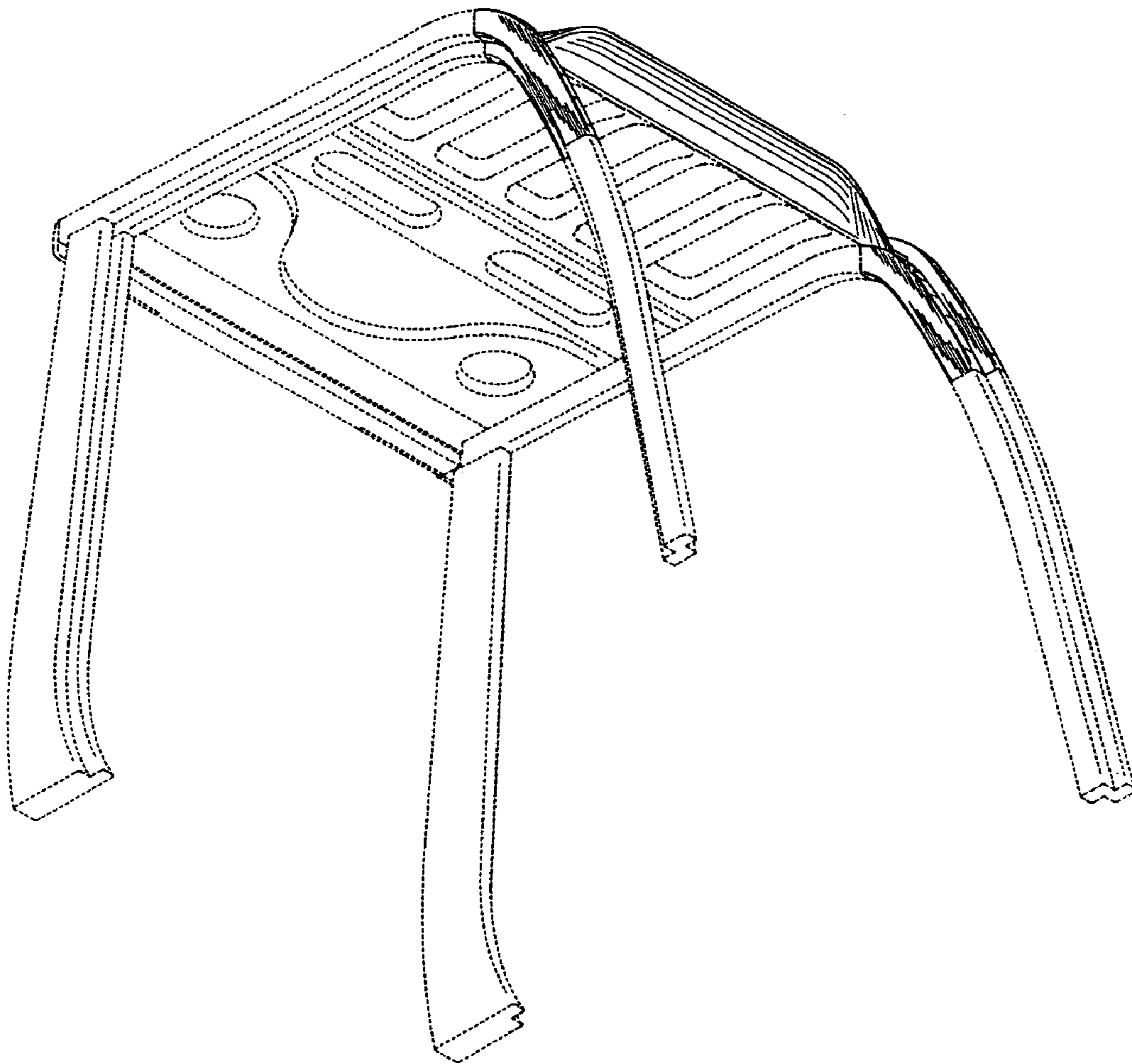


FIG. 3

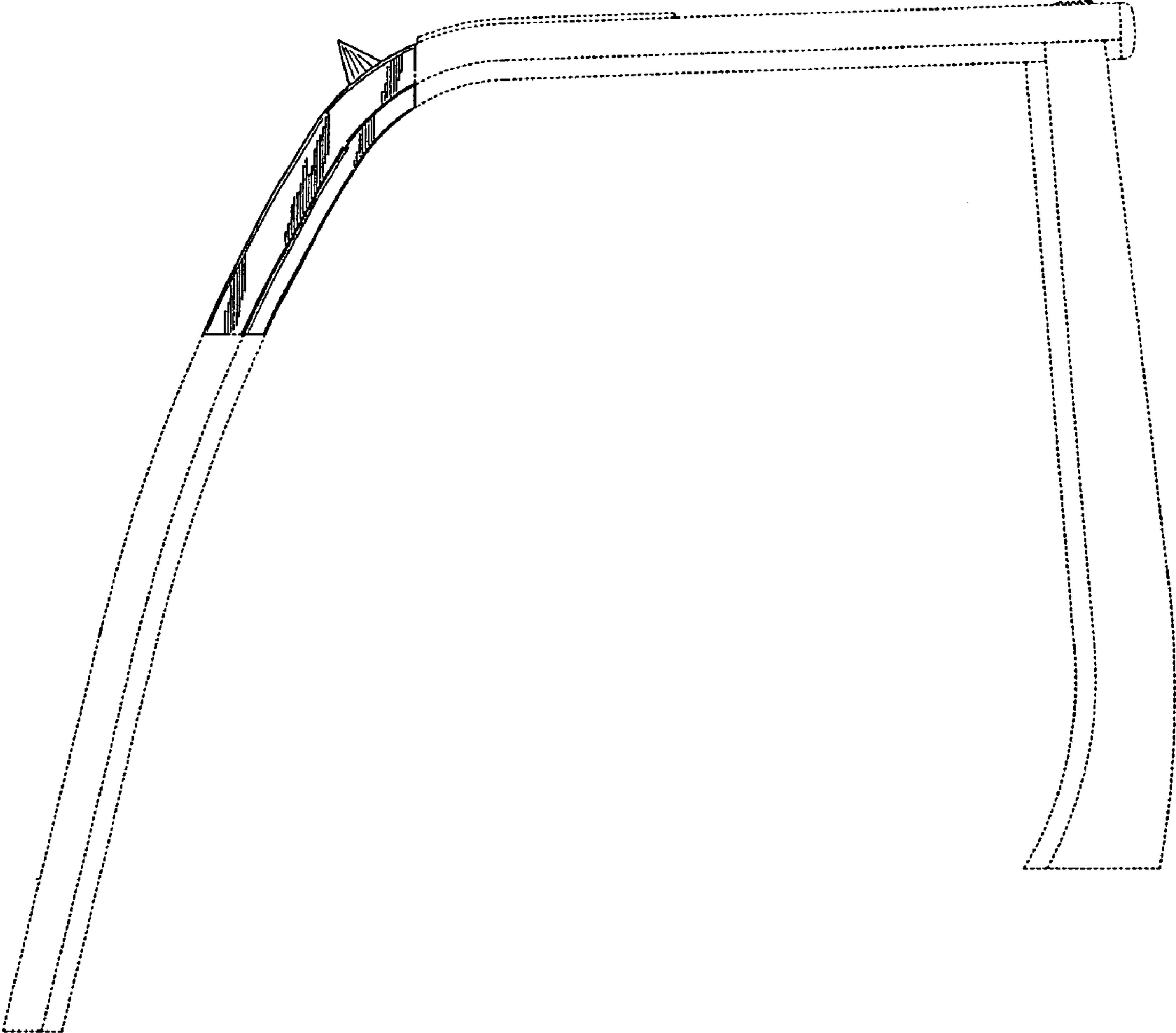


FIG. 4

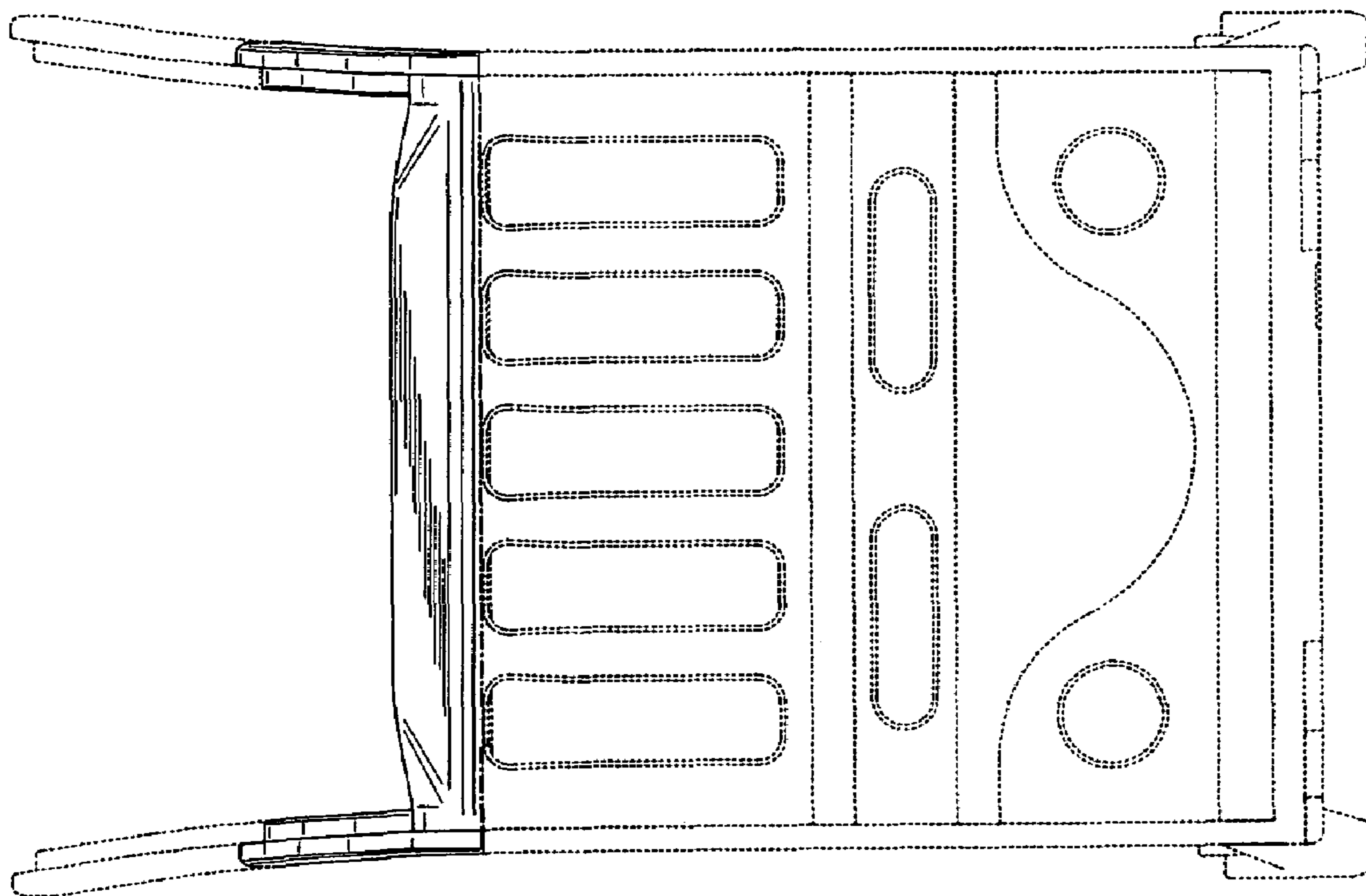


FIG. 5

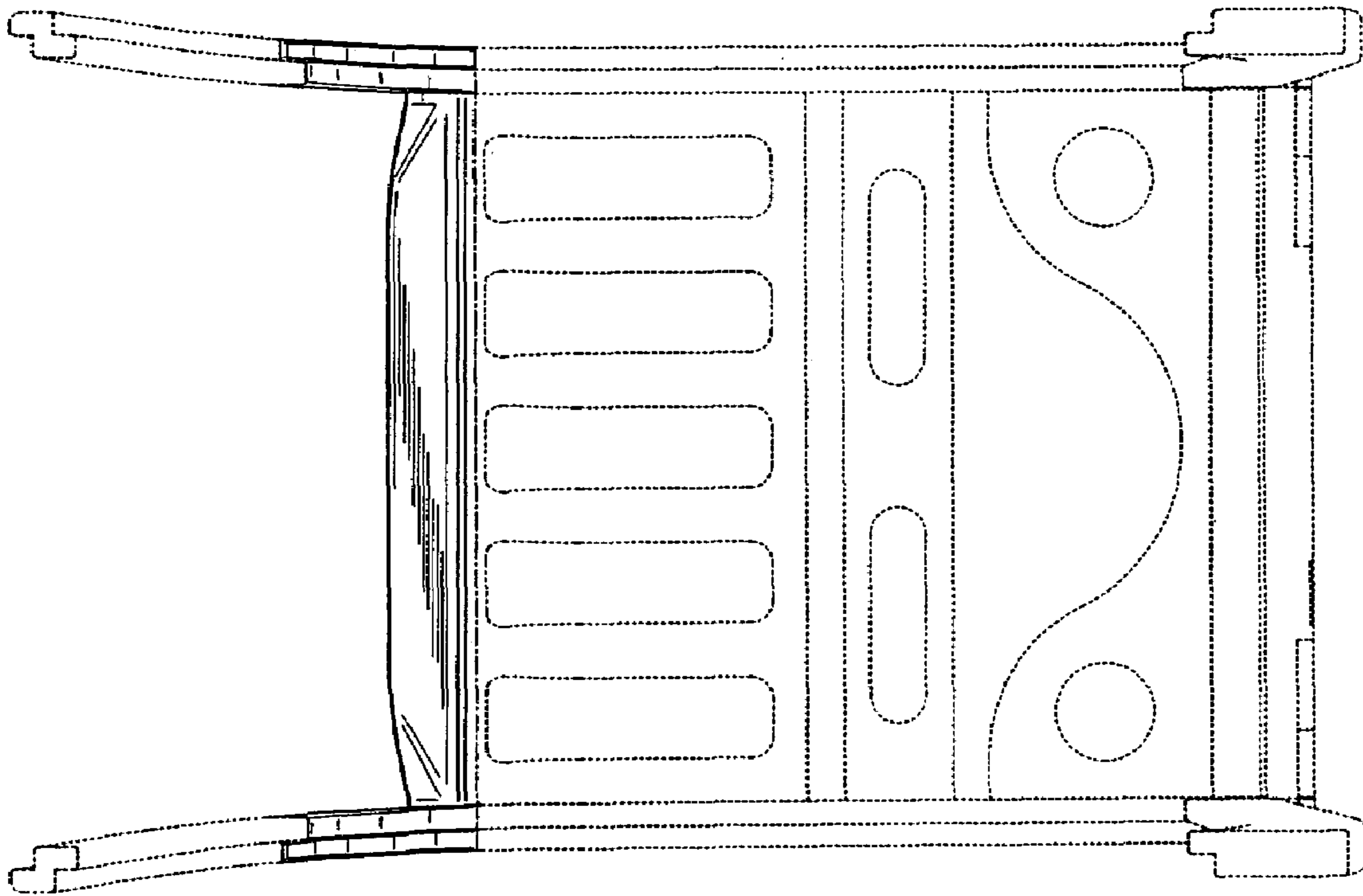


FIG. 6

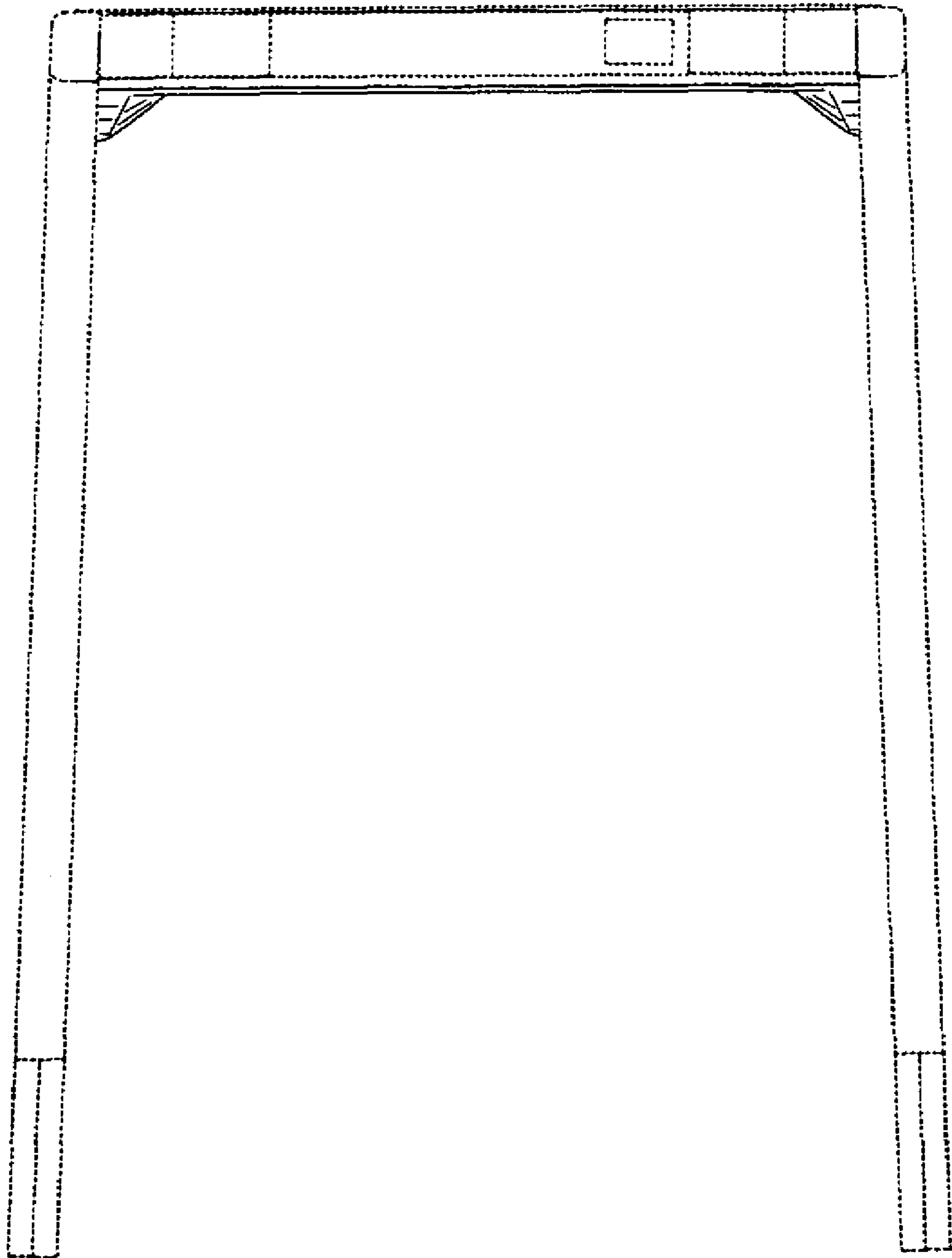


FIG. 7

