



US00D557872S

(12) **United States Design Patent**
Mori et al.

(10) **Patent No.:** **US D557,872 S**

(45) **Date of Patent:** **** Dec. 18, 2007**

(54) **FORKLIFT TRUCK**

(75) Inventors: **Hiroki Mori**, Kariya (JP); **Tomomichi Miura**, Kariya (JP); **Masanori Shinoda**, Kariya (JP); **Takahito Miyake**, Kariya (JP)

(73) Assignee: **Kabushiki Kaisha Toyota Jidoshokki**, Kariya-shi (JP)

(**) Term: **14 Years**

(21) Appl. No.: **29/266,938**

(22) Filed: **Sep. 29, 2006**

(30) **Foreign Application Priority Data**

Mar. 31, 2006 (JP) 2006-008565

(51) **LOC (8) Cl.** **12-05**

(52) **U.S. Cl.** **D34/35; D34/34**

(58) **Field of Classification Search** D34/34,
D34/35; 180/89.12, 89.13, 89.17; 187/222,
187/237, 238

See application file for complete search history.

(56) **References Cited**

U.S. PATENT DOCUMENTS

D327,356	S	*	6/1992	Laatsch	D34/34
5,184,699	A	*	2/1993	Aoki et al.	187/224
D346,259	S	*	4/1994	Laatsch	D34/34
D353,931	S	*	12/1994	Kobayakawa et al.	D34/34
D354,604	S	*	1/1995	Soederberg	D34/34
5,524,721	A	*	6/1996	Yamauchi	180/69.2
5,560,451	A	*	10/1996	Hincks	187/237
D386,877	S	*	11/1997	Russey et al.	D34/34
D393,134	S	*	3/1998	Mariano	D34/34
D393,516	S	*	4/1998	Hahn et al.	D34/34
D396,928	S	*	8/1998	Hahn et al.	D34/34
5,881,842	A	*	3/1999	Kikukawa	187/222
D411,681	S	*	6/1999	Murakami et al.	D34/34
D412,385	S	*	7/1999	Murakami et al.	D34/34
D427,409	S	*	6/2000	Sato et al.	D34/34
D448,136	S	*	9/2001	Yurushi et al.	D34/34

D452,598	S	*	12/2001	Sato	D34/34
D466,268	S	*	11/2002	Kraimer et al.	D34/34
D466,669	S	*	12/2002	Kraimer et al.	D34/34
D468,885	S	*	1/2003	Salin et al.	D34/34
D469,236	S	*	1/2003	Mitsuyoshi et al.	D34/34
D470,990	S	*	2/2003	Han et al.	D34/34
D471,339	S	*	3/2003	Mori	D34/34
D471,340	S	*	3/2003	Shibata et al.	D34/34
D492,831	S	*	7/2004	Kouyama	D34/34
D518,268	S	*	3/2006	Stark	D34/34
D526,460	S	*	8/2006	Goto et al.	D34/34
D536,504	S	*	2/2007	Righi	D34/34
D538,004	S	*	3/2007	Kouyama et al.	D34/34
D542,004	S	*	5/2007	Righi	D32/34
D542,503	S	*	5/2007	Righi	D34/34

* cited by examiner

Primary Examiner—Cynthia E. Ramirez

(74) *Attorney, Agent, or Firm*—Morgan & Finnegan, L.L.P.

(57) **CLAIM**

The ornamental design for a forklift truck, as shown and described.

DESCRIPTION

FIG. 1 is a front perspective view of a forklift truck showing our new design;

FIG. 2 is a rear perspective view thereof;

FIG. 3 is a front view thereof;

FIG. 4 is a rear view thereof;

FIG. 5 is a top plan view thereof;

FIG. 6 is a right side elevational view thereof; and,

FIG. 7 is a left side elevational view thereof.

The bottom plan view is omitted since this article is a heavy item. The broken lines are shown for illustrative purposes only and form no part of the claimed design. The dot-dashed lines denote the boundary of the claim, and form no part of the claimed design.

1 Claim, 6 Drawing Sheets

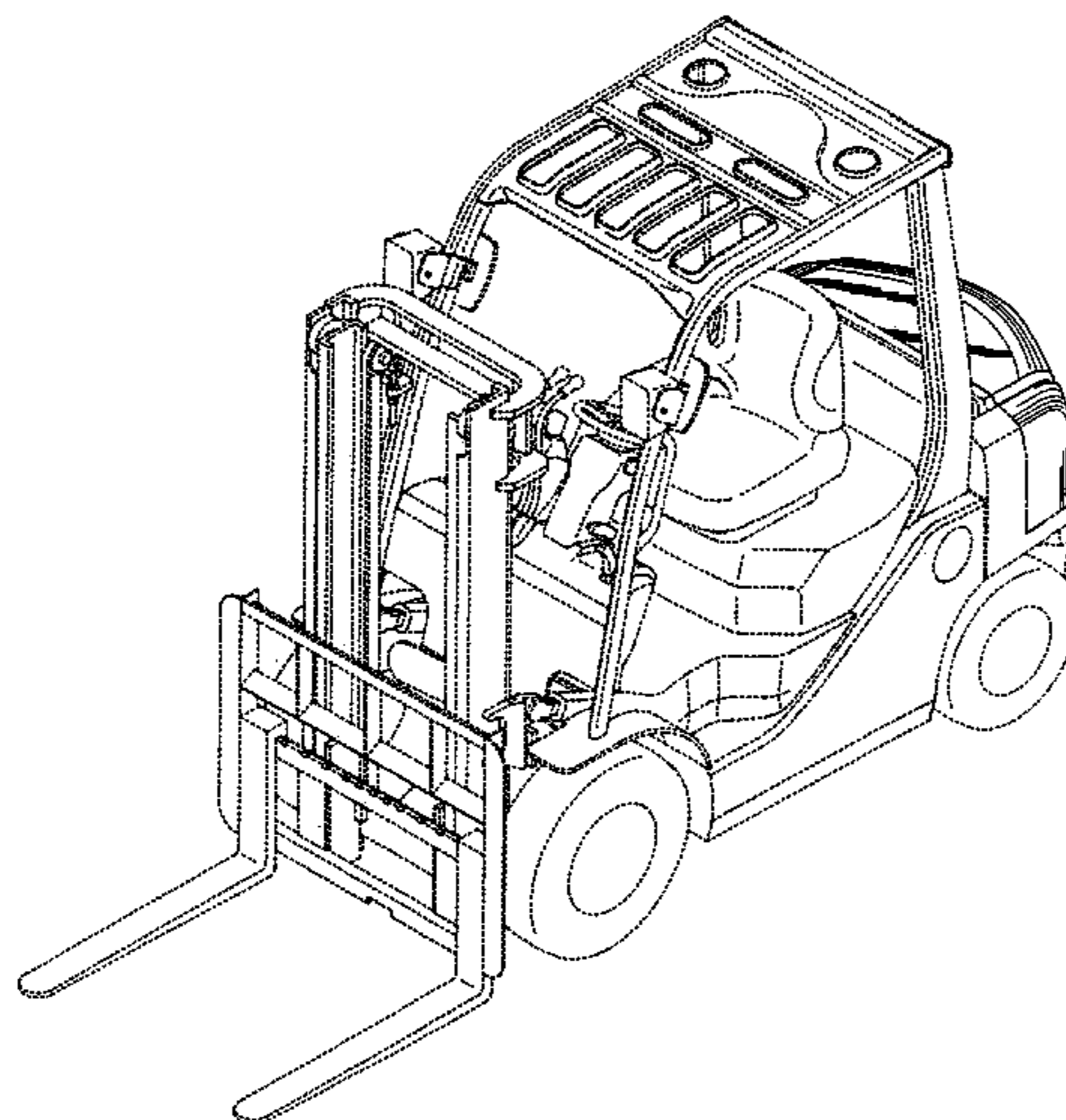


FIG. 1

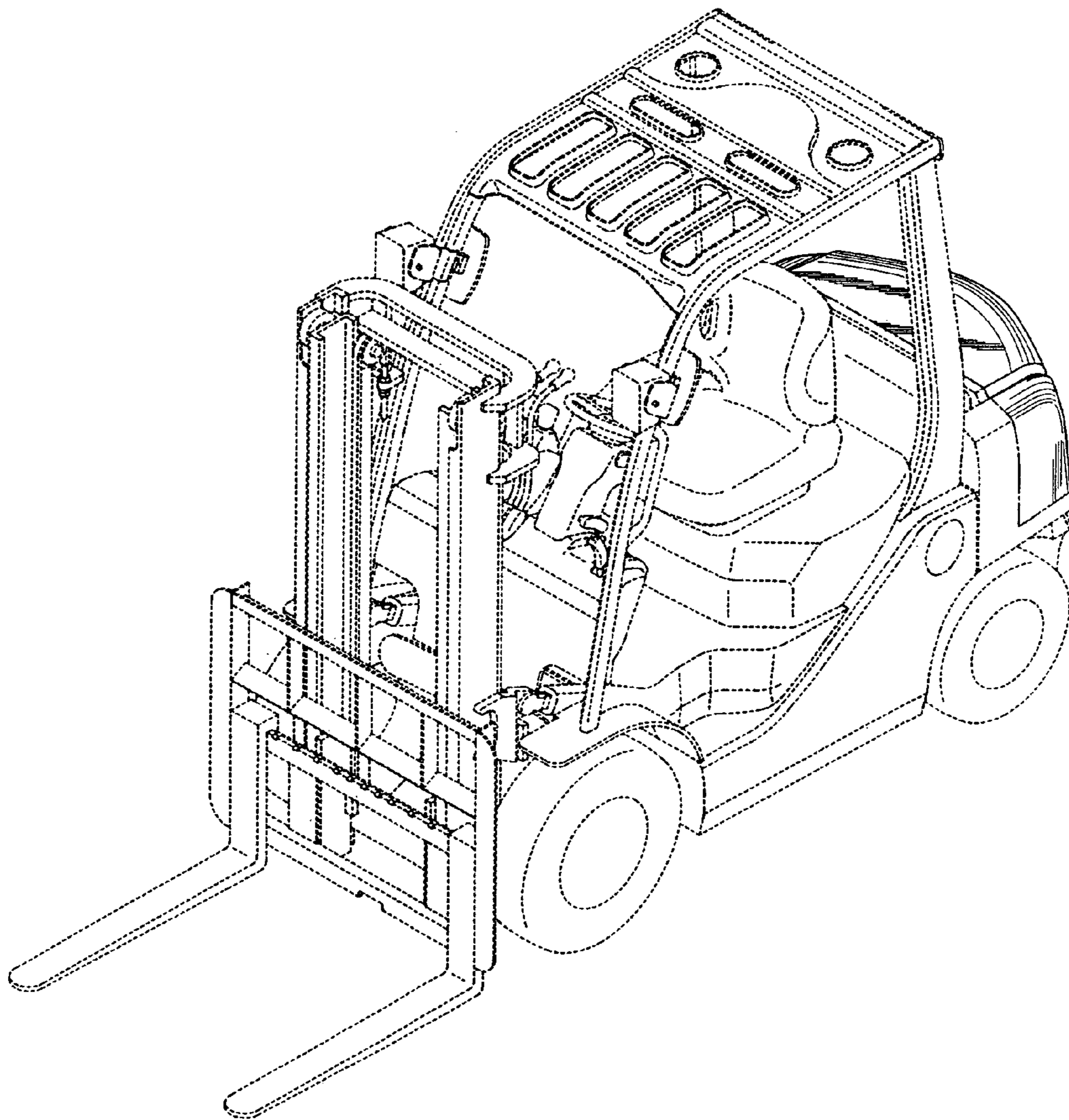


FIG. 2

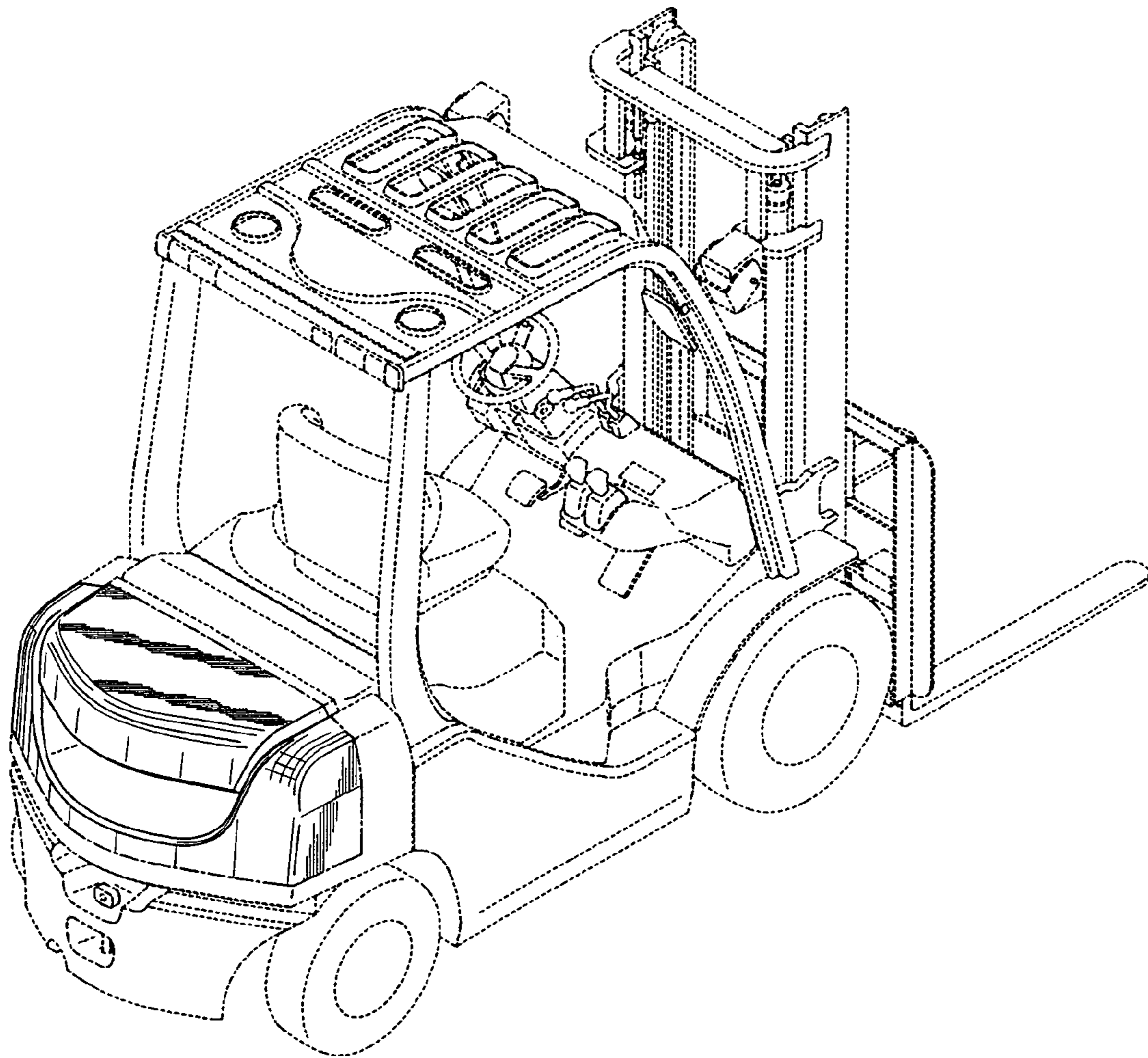


FIG. 3

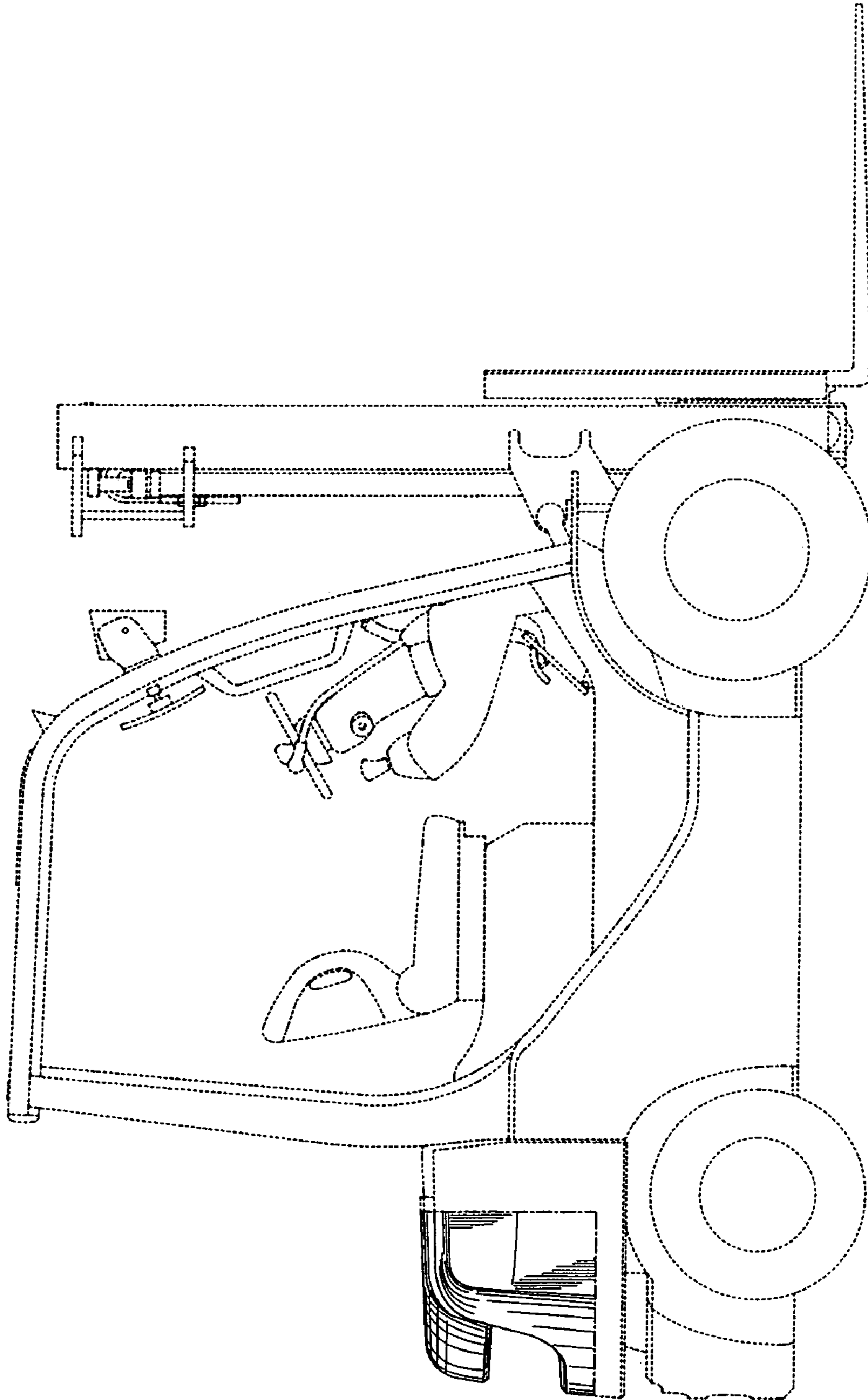


FIG. 4

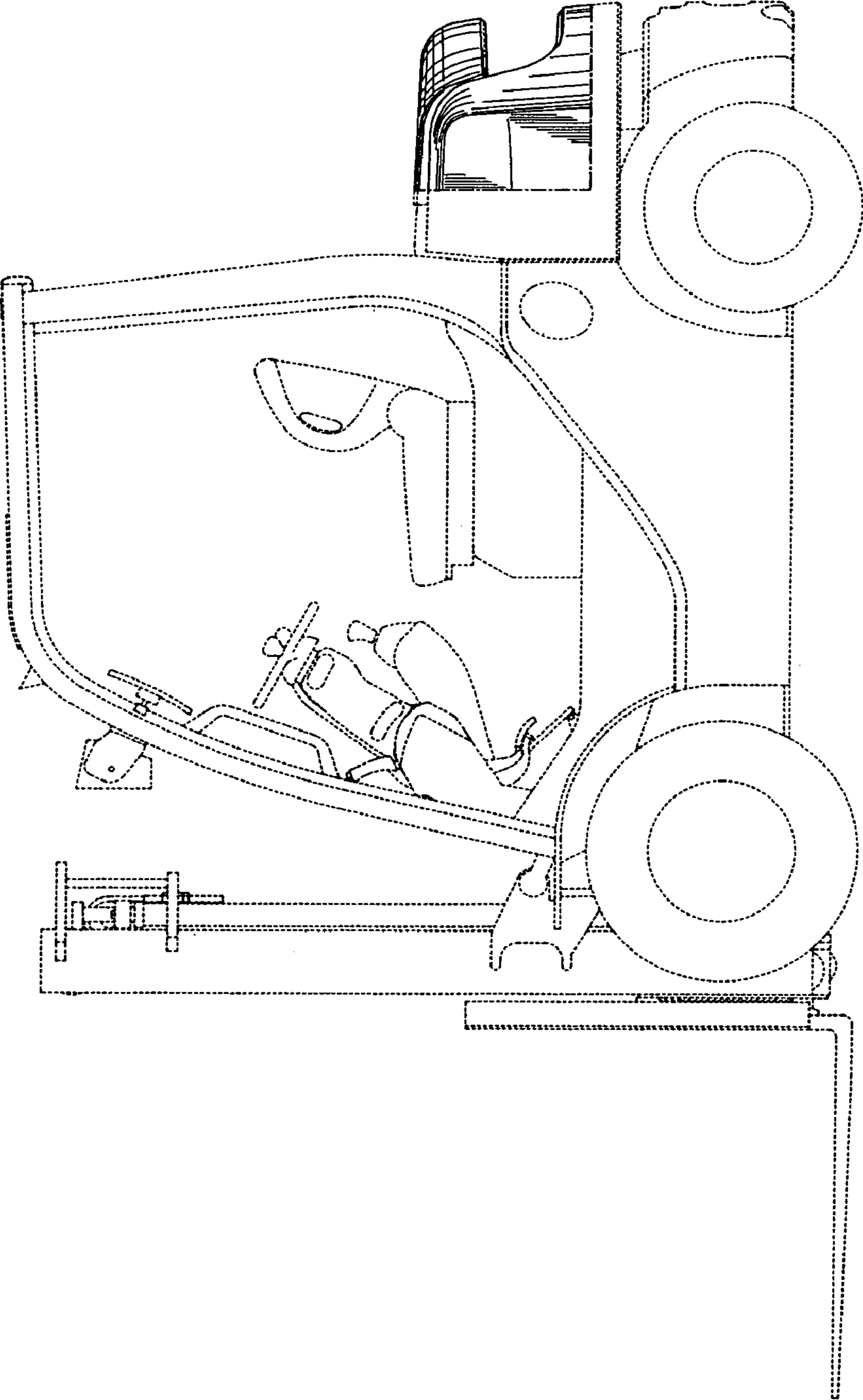


FIG. 5

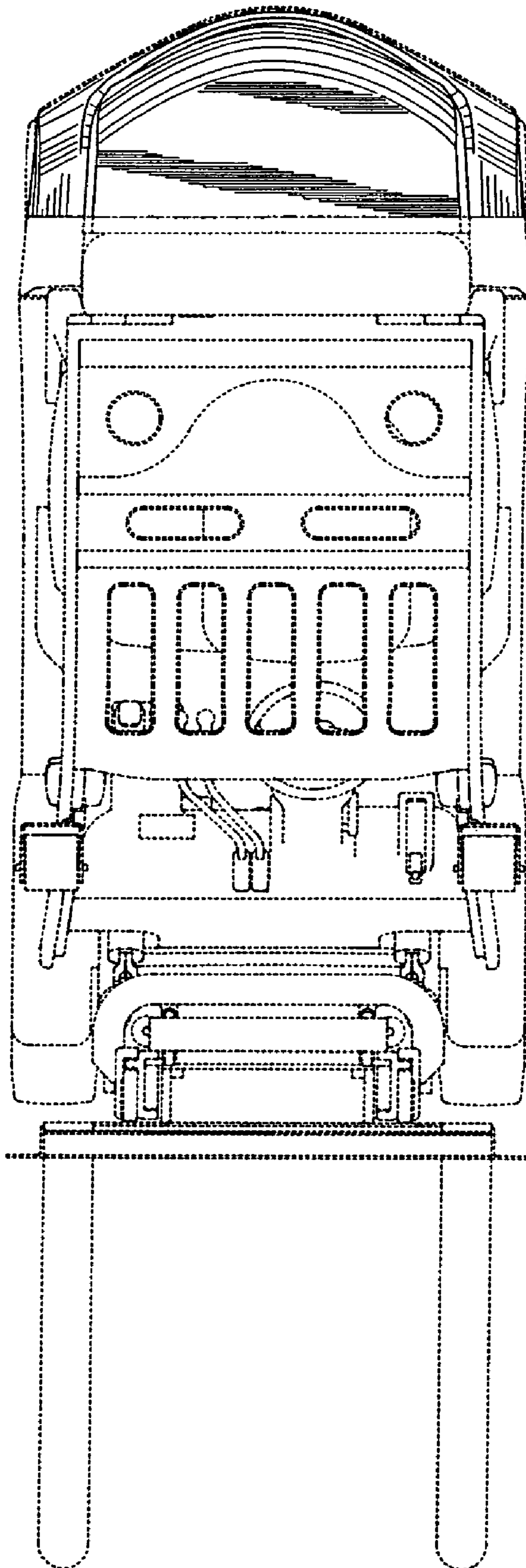


FIG. 6

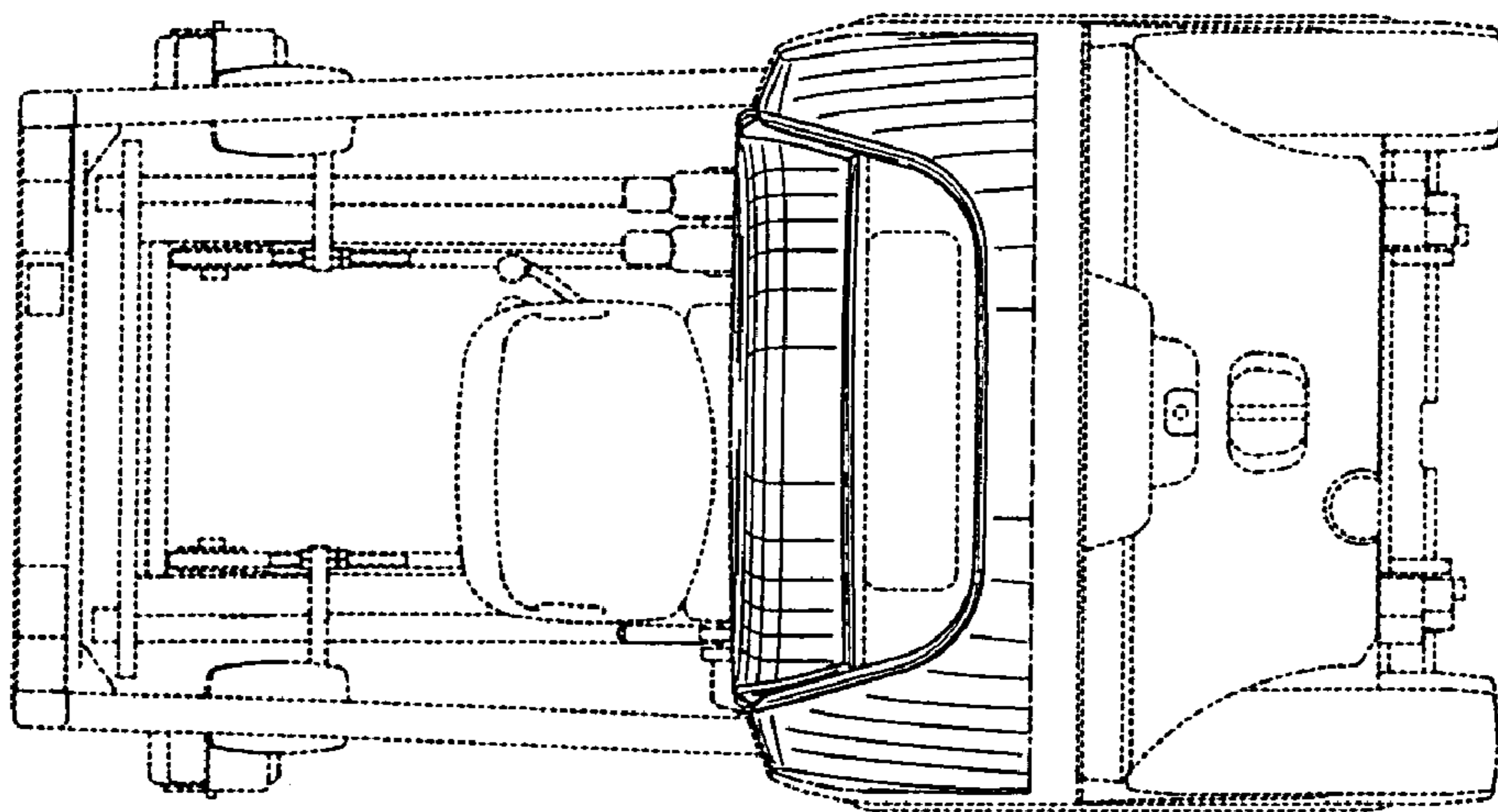


FIG. 7

