



US00D557871S

(12) **United States Design Patent**
Oliver

(10) **Patent No.:** **US D557,871 S**

(45) **Date of Patent:** **** Dec. 18, 2007**

(54) **CONVEYOR FLIGHT**

(75) Inventor: **Peter Brian Oliver**, Tauranga (NZ)

(73) Assignee: **Olivator Marketing Limited**, Tauranga (NZ)

(**) Term: **14 Years**

(21) Appl. No.: **29/255,799**

(22) Filed: **Mar. 10, 2006**

(30) **Foreign Application Priority Data**

Sep. 13, 2005 (NZ) 406582

(51) **LOC (8) Cl.** **12-05**

(52) **U.S. Cl.** **D34/35**

(58) **Field of Classification Search** D34/29,
D34/35; 198/850, 852, 853, 699.1, 836.3,
198/392, 390; 452/169, 177, 184; D8/395,
D8/396, 499

See application file for complete search history.

(56) **References Cited**

U.S. PATENT DOCUMENTS

786,904 A * 1/1905 Hyat 100/118
D239,731 S * 4/1976 Kson D34/29
4,170,281 A * 10/1979 Lapeyre 198/844.2
4,329,818 A * 5/1982 Kavcic 451/85

D354,385 S * 1/1995 Ellens et al. D34/29
D368,567 S * 4/1996 Chase D34/29
D426,366 S * 6/2000 Petrovic D34/29
D516,103 S * 2/2006 DeTemple et al. D15/138
2001/0030112 A1 * 10/2001 Tanabe et al. 198/853
2005/0284735 A1 * 12/2005 Hartness et al. 198/850
2006/0054470 A1 * 3/2006 Ozaki et al. 198/850

* cited by examiner

Primary Examiner—Cynthia E. Ramirez

(74) *Attorney, Agent, or Firm*—Abelman, Frayne & Schwab

(57) **CLAIM**

The ornamental design of a conveyor flight, as shown and described.

DESCRIPTION

FIG. 1 is a bottom perspective view of the conveyor flight showing the new design;

FIG. 2 is a top plan view thereof;

FIG. 3 is a bottom plan view thereof;

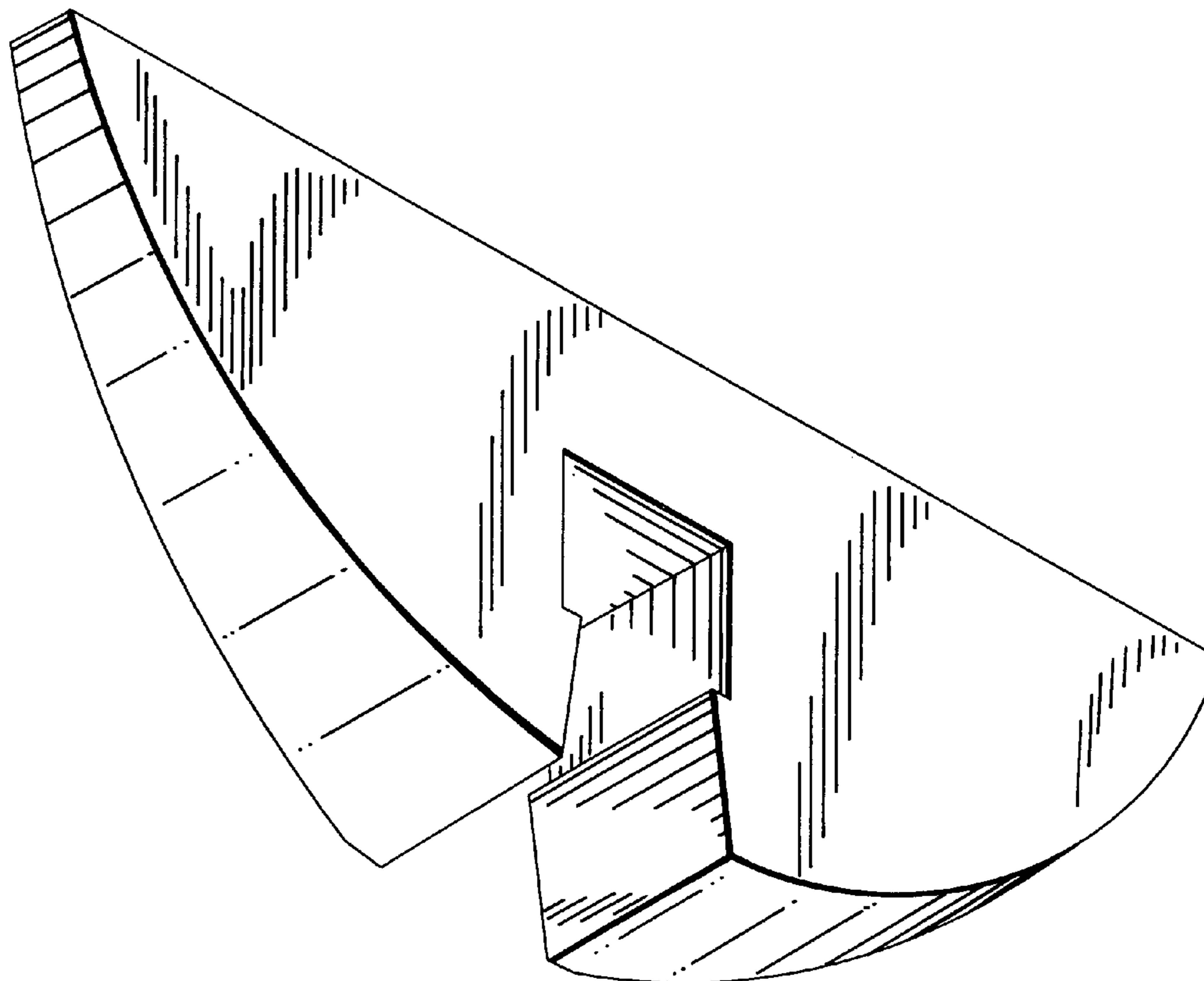
FIG. 4 is a rear elevation view thereof;

FIG. 5 is a front elevation view thereof;

FIG. 6 is a left side view thereof; and,

FIG. 7 is a right side view thereof.

1 Claim, 5 Drawing Sheets



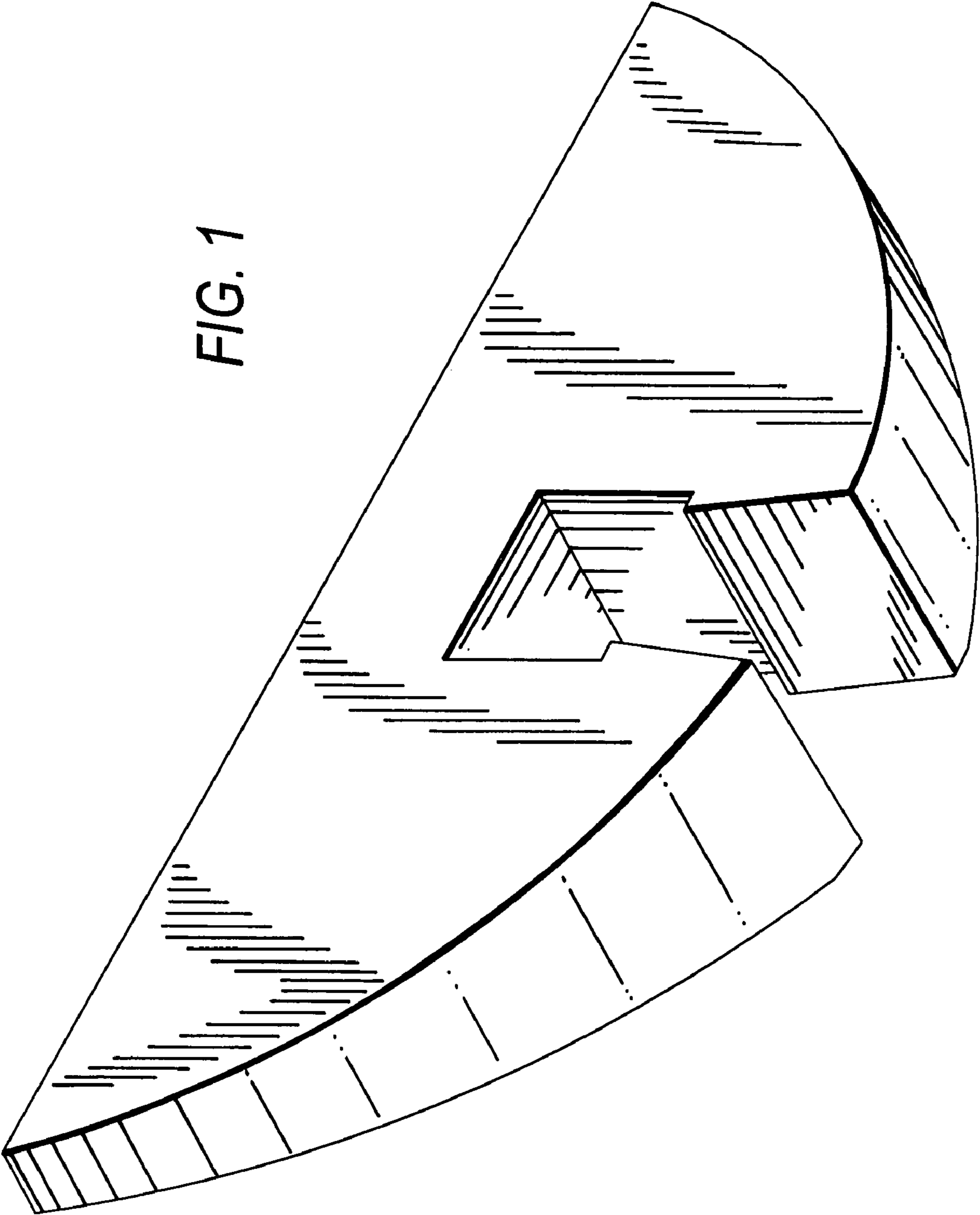


FIG. 1

FIG. 2

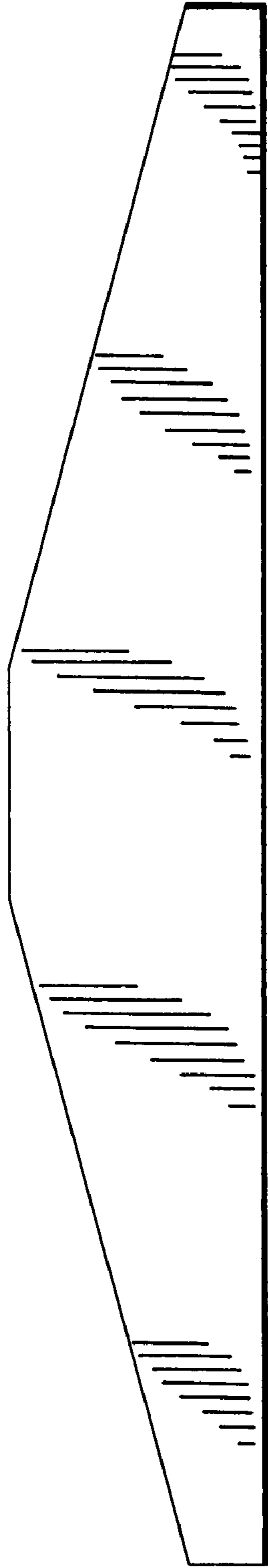


FIG. 3

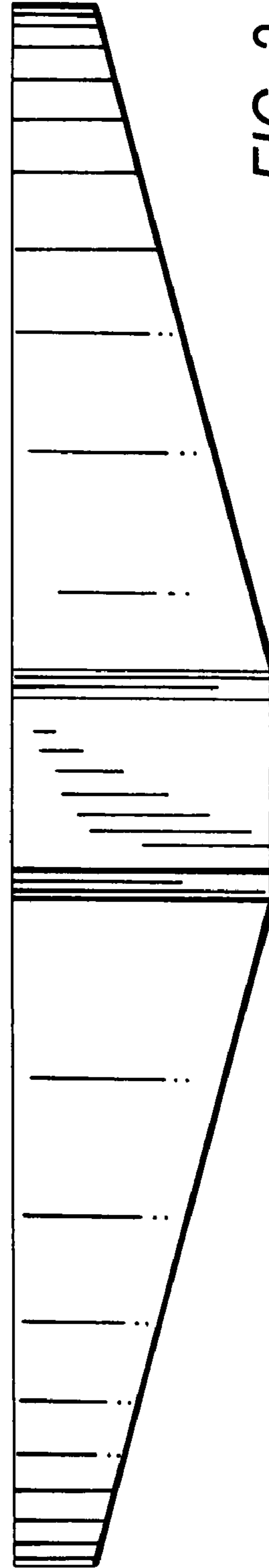
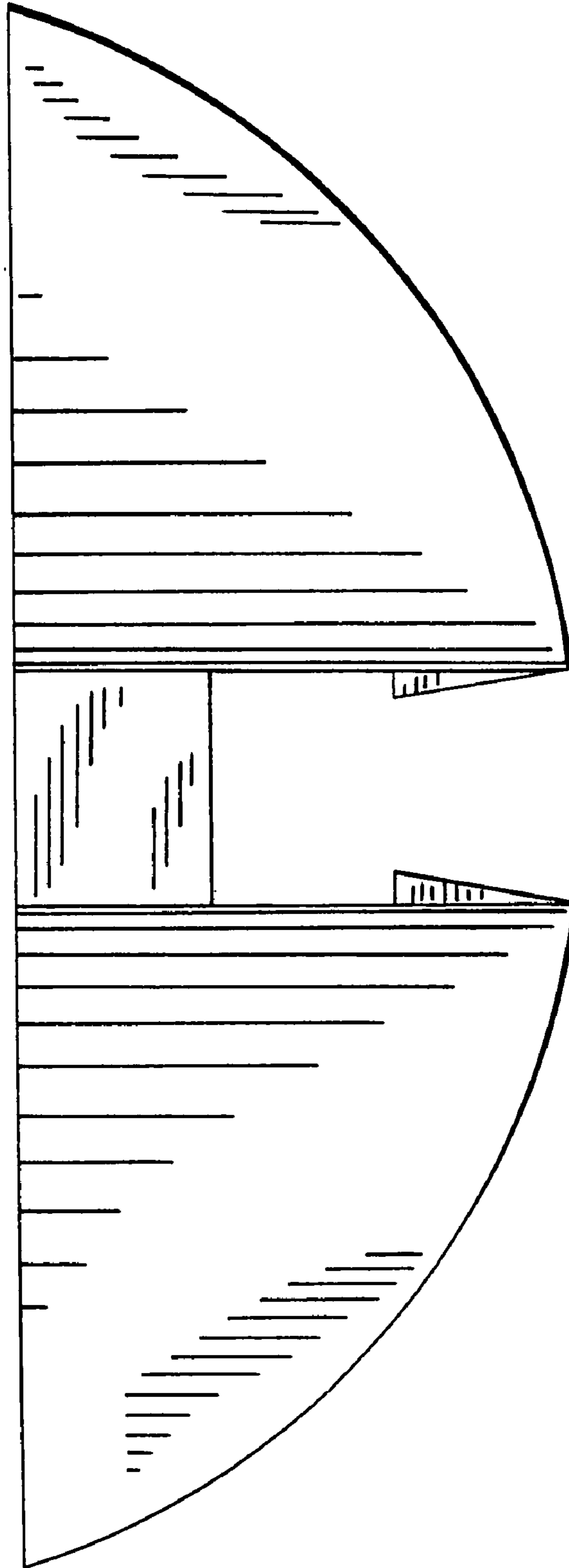


FIG. 4



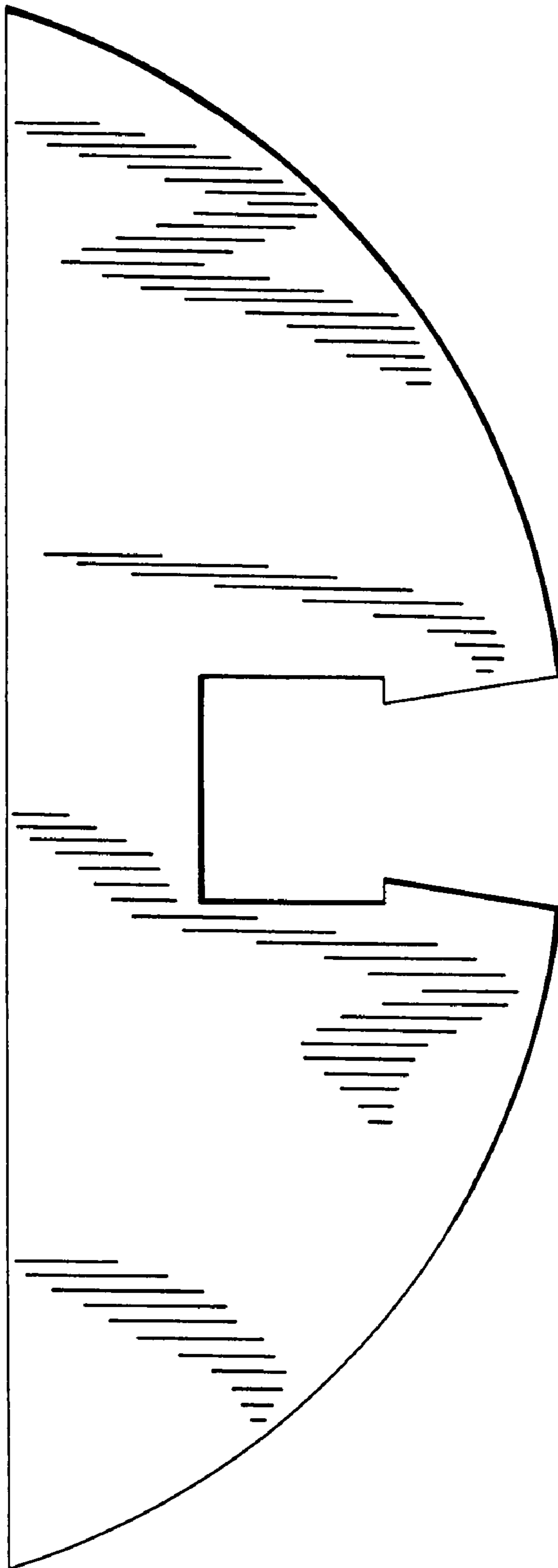


FIG. 5

FIG. 6

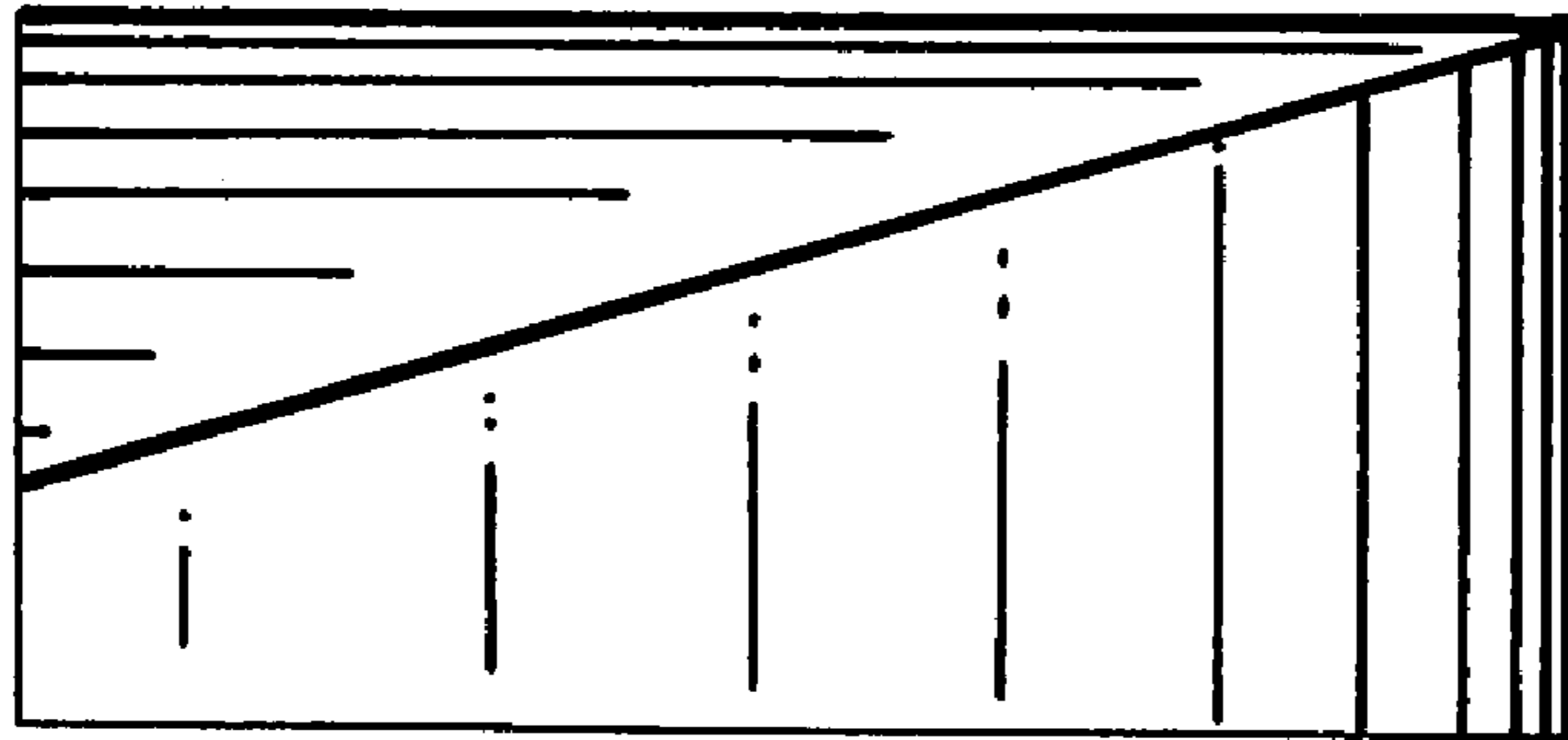
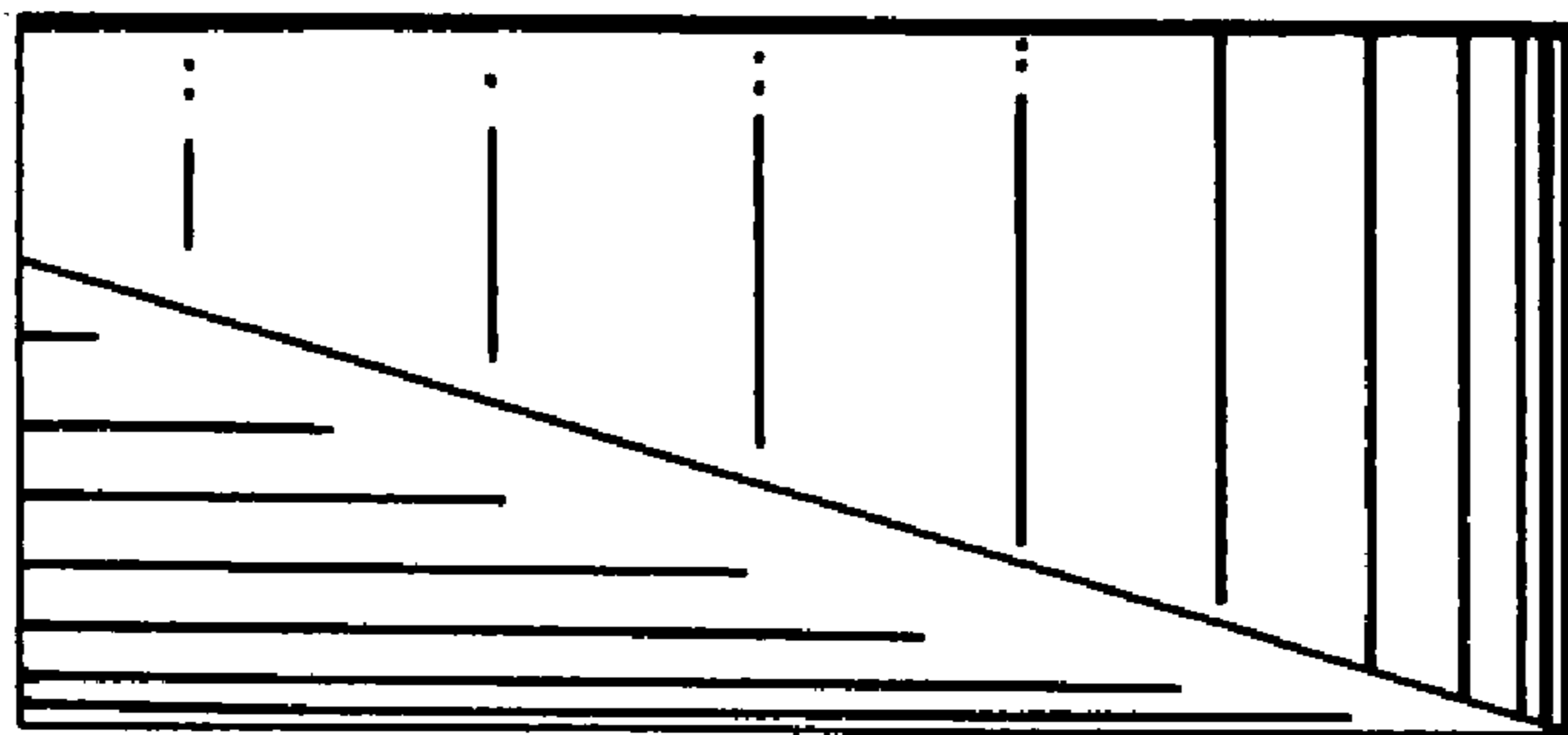


FIG. 7