



US00D557866S

(12) **United States Design Patent**  
**Eisel et al.**

(10) **Patent No.:** **US D557,866 S**

(45) **Date of Patent:** **\*\* Dec. 18, 2007**

(54) **ANIMAL FEED AND WATER BOWL**

D445,967 S \* 7/2001 Keisner ..... D30/121  
D472,310 S \* 3/2003 Kawamura ..... D23/301

(76) Inventors: **Timothy Eisel**, 23165 Martinque,  
Edmond, OK (US) 73003; **Eric Wallis**  
**Sherburn**, 3720 S. Utica, Tulsa, OK  
(US) 74105; **Douglas Isgrigg**, 4002 E.  
171<sup>st</sup>, Bixby, OK (US) 74008

\* cited by examiner

*Primary Examiner*—Melanie Tung  
*Assistant Examiner*—Susan Moon Lee  
(74) *Attorney, Agent, or Firm*—Head, Johnson & Kachigian

(\*\*) Term: **14 Years**

(57) **CLAIM**

(21) Appl. No.: **29/251,949**

The ornamental design for an animal feed and water bowl,  
as shown and described.

(22) Filed: **Jan. 17, 2006**

(51) **LOC (8) Cl.** ..... **30-03**

(52) **U.S. Cl.** ..... **D30/129**

(58) **Field of Classification Search** ..... 119/53,  
119/52.1, 51.5, 77, 73, 74; D30/121, 129,  
D30/132, 161; D23/301, 295, 298  
See application file for complete search history.

**DESCRIPTION**

FIG. 1 is a front view of an animal feed and water bowl  
constructed in accordance with the present invention;

FIG. 2 is a right side view of an animal feed and water bowl  
as shown in FIG. 1;

FIG. 3 is a left side view of an animal feed and water bowl  
as shown in FIG. 1;

FIG. 4 is a top view of an animal feed and water bowl as  
shown in FIG. 1;

FIG. 5 is a bottom view of an animal feed and water bowl  
as shown in FIG. 1;

FIG. 6 is a back view of an animal feed and water bowl as  
shown in FIG. 1; and,

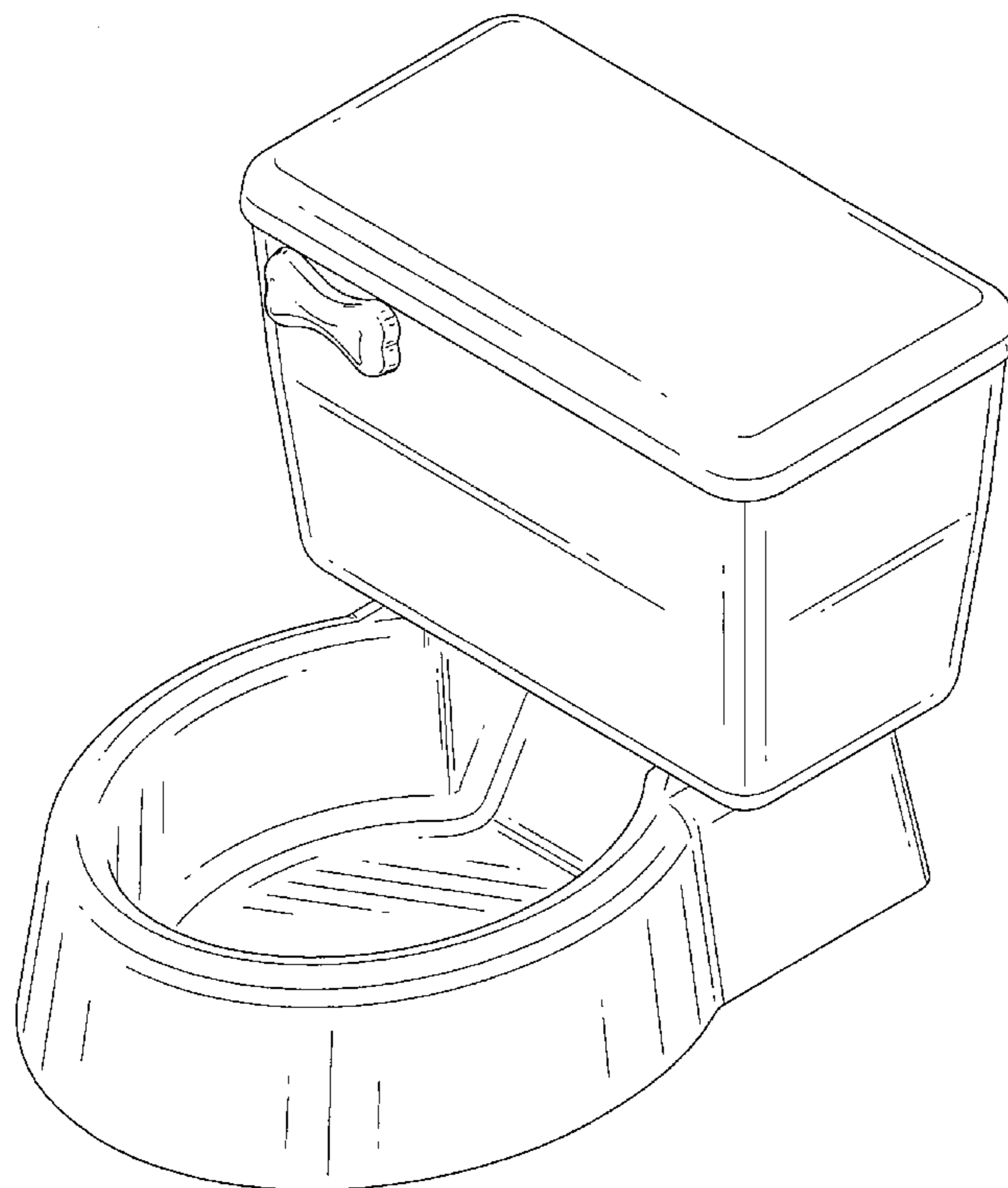
FIG. 7 is an enlarged perspective view of an animal feed and  
water bowl as shown in FIG. 1.

(56) **References Cited**

U.S. PATENT DOCUMENTS

|           |    |   |         |                  |       |          |
|-----------|----|---|---------|------------------|-------|----------|
| D352,576  | S  | * | 11/1994 | Trigoboff et al. | ..... | D30/129  |
| D353,229  | S  | * | 12/1994 | Trigoboff et al. | ..... | D30/121  |
| D355,056  | S  | * | 1/1995  | Burnet           | ..... | D30/132  |
| D378,625  | S  | * | 3/1997  | Stone            | ..... | D30/129  |
| D391,693  | S  | * | 3/1998  | Janiak           | ..... | D30/129  |
| D392,075  | S  | * | 3/1998  | Holt             | ..... | D30/129  |
| 5,904,117 | A  | * | 5/1999  | Castro           | ..... | 119/51.5 |
| 6,101,977 | A  | * | 8/2000  | Matz             | ..... | 119/74   |
| 6,145,473 | A  | * | 11/2000 | Keisner          | ..... | 119/53   |
| 6,205,950 | B1 | * | 3/2001  | Thompson, Jr.    | ..... | 119/51.5 |

**1 Claim, 3 Drawing Sheets**



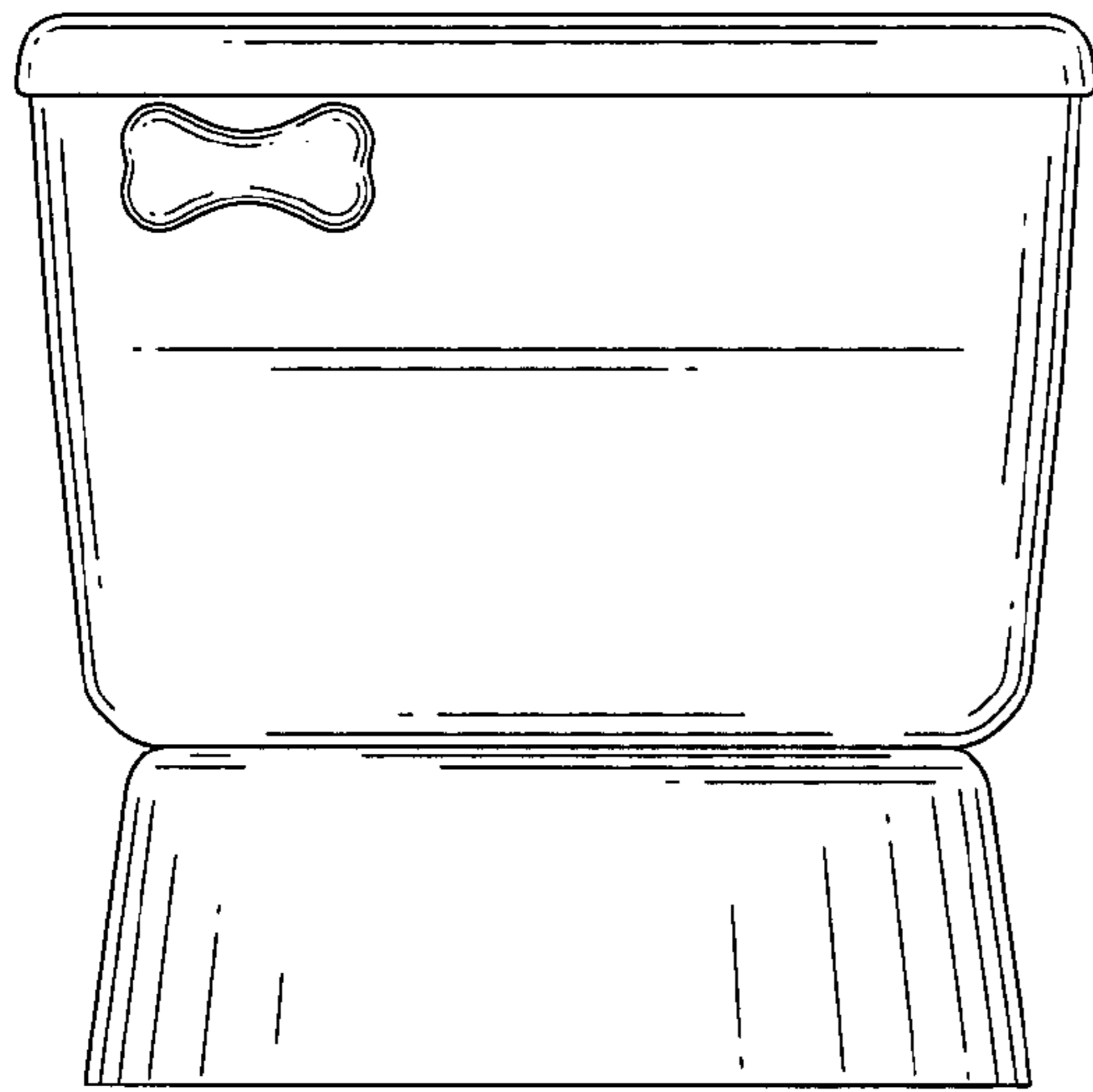


FIG. 1

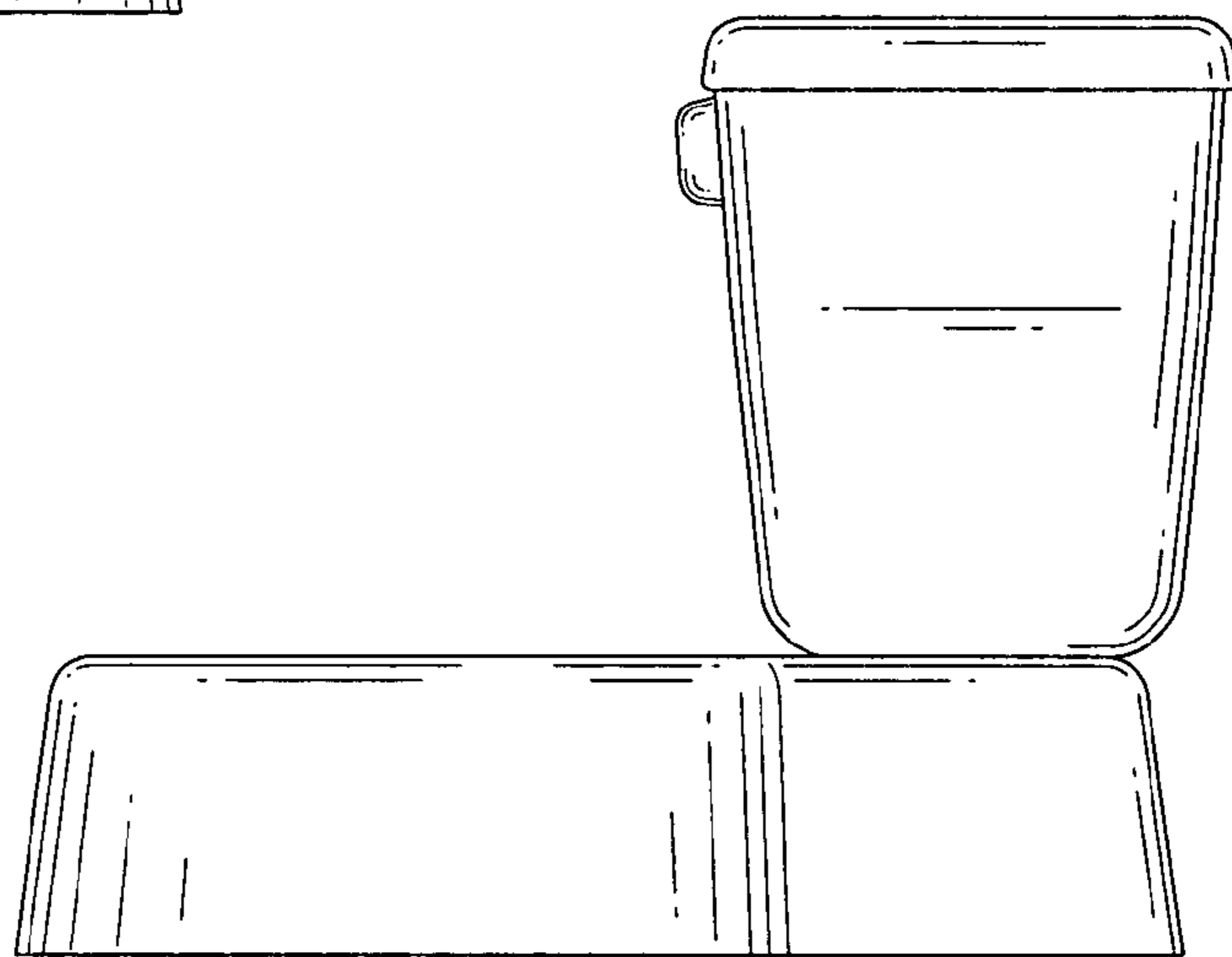


FIG. 2

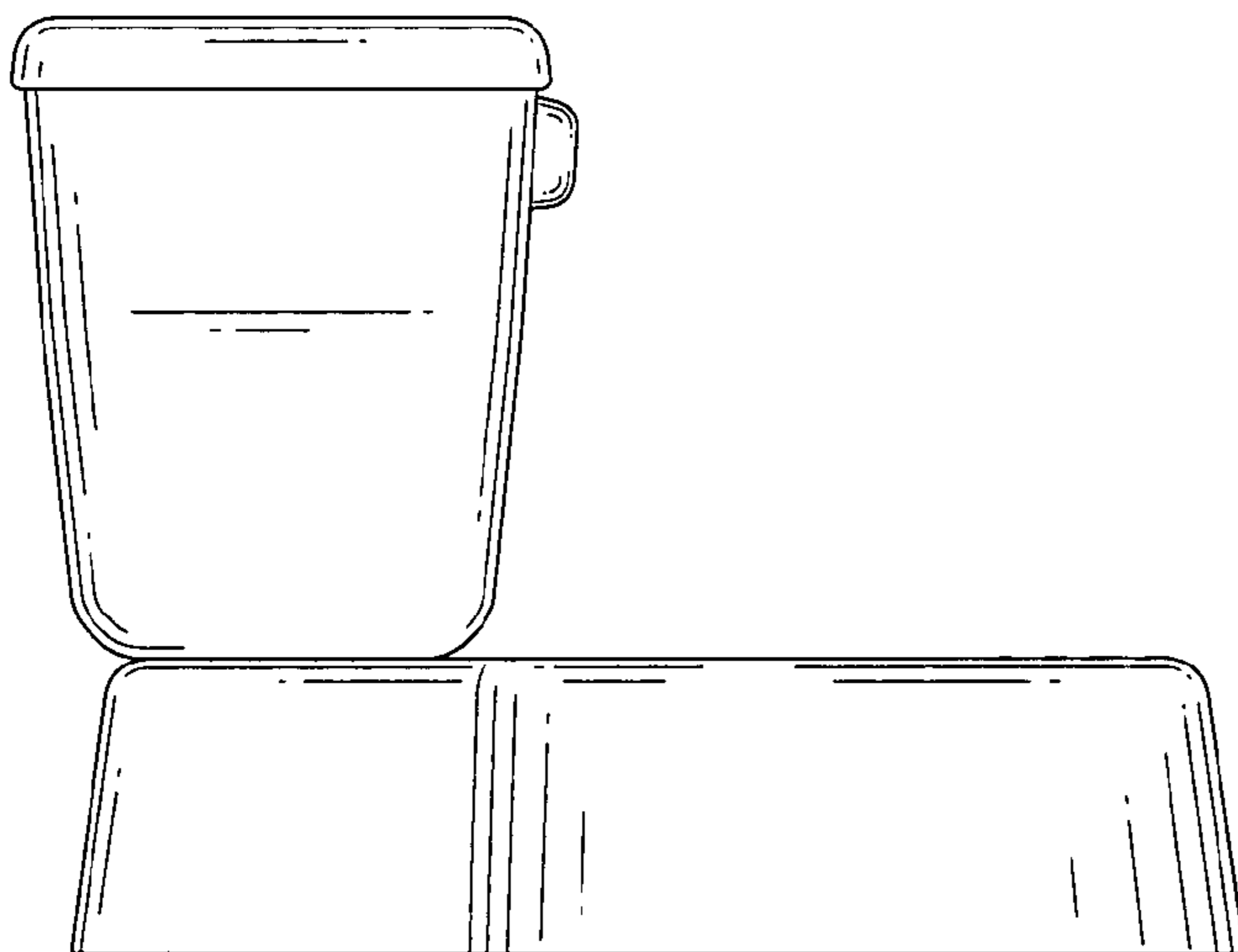


FIG. 3

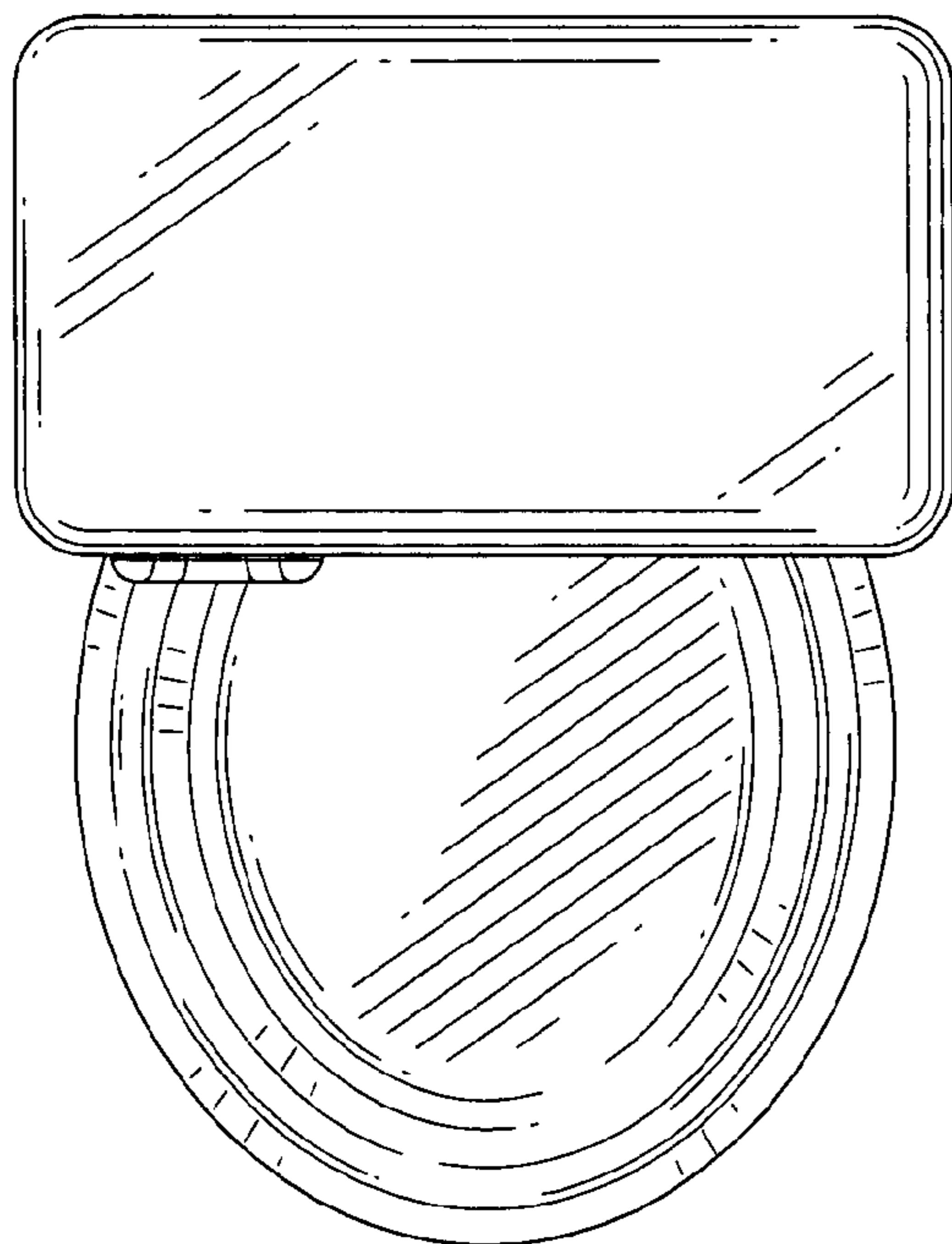


FIG. 4

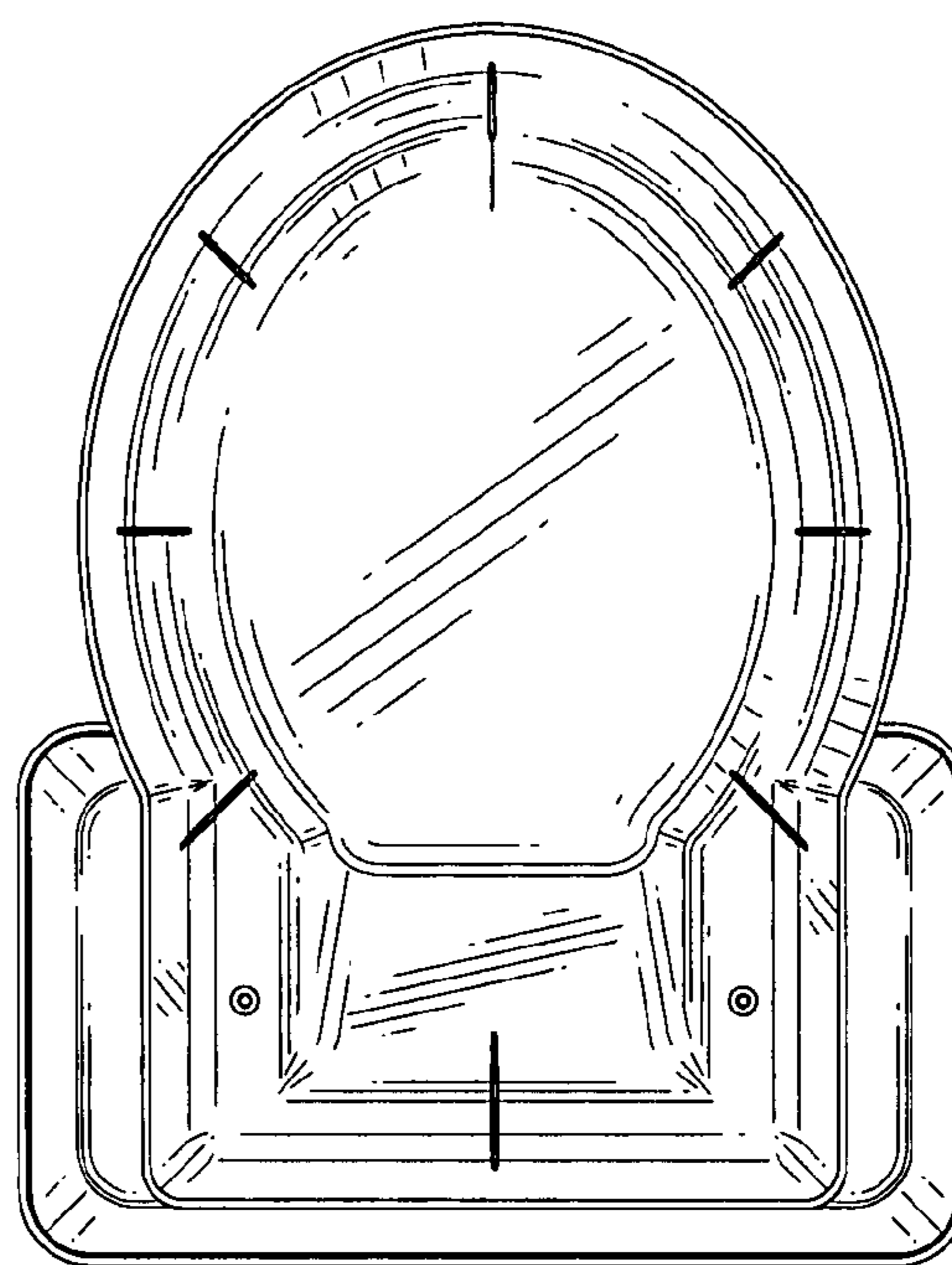


FIG. 5

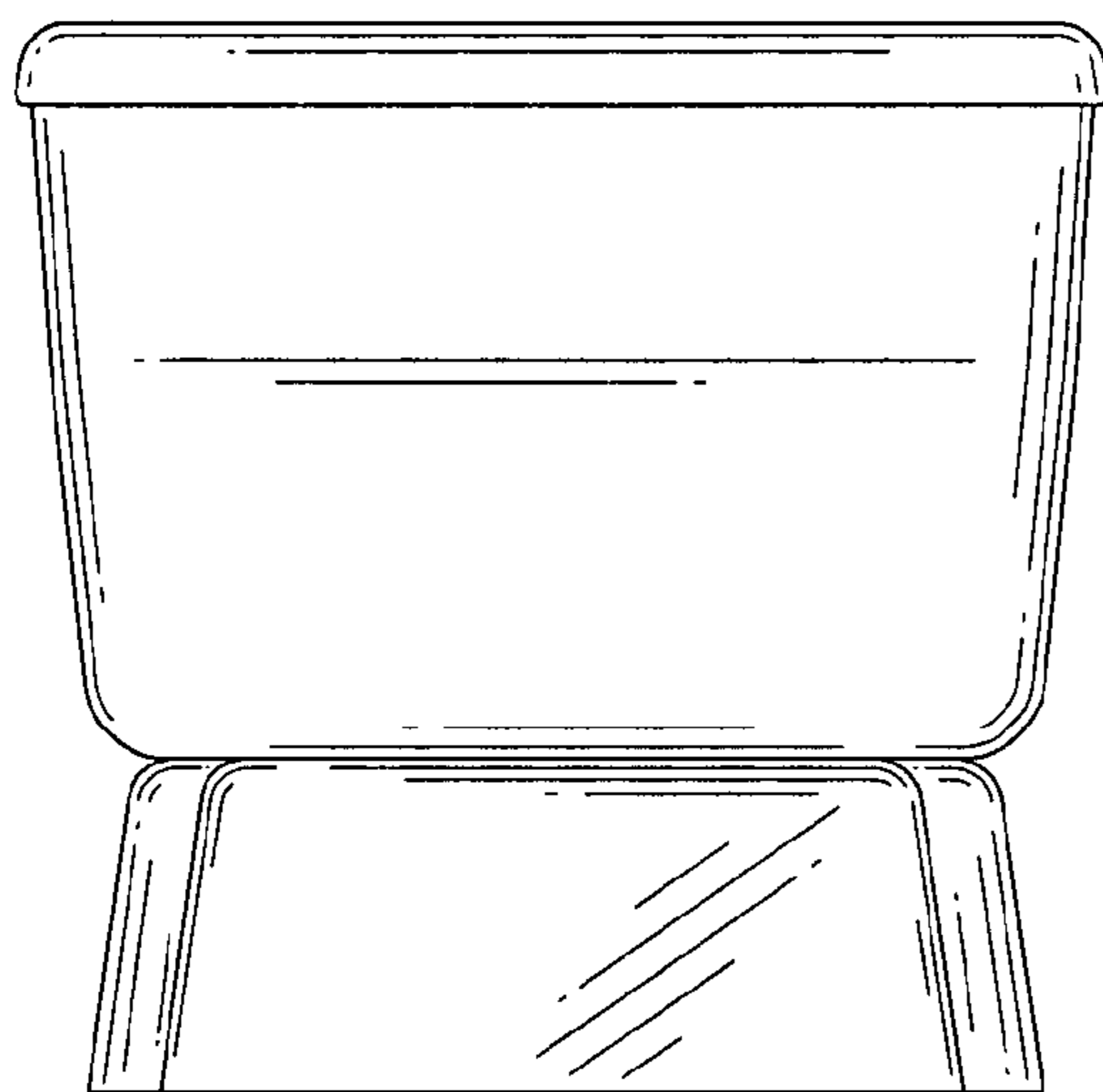
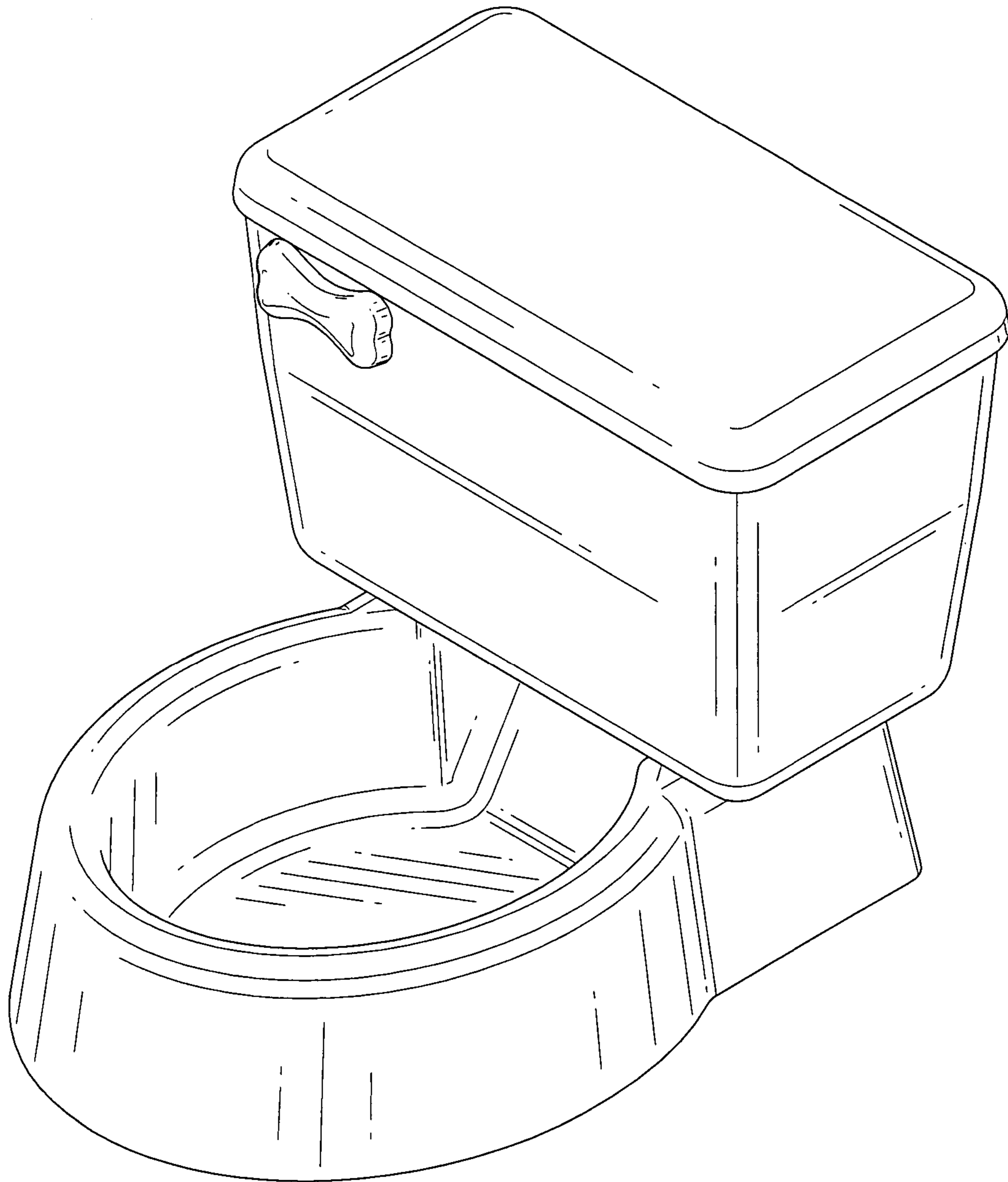


FIG. 6



**FIG. 7**