



US00D557863S

(12) **United States Design Patent**  
**Tukulj-Popovic et al.**

(10) **Patent No.:** **US D557,863 S**

(45) **Date of Patent:** **\*\* Dec. 18, 2007**

(54) **HEATED HAIR STYLING DEVICE**

D516,242 S \* 2/2006 Habibi ..... D28/35

(75) Inventors: **Sladjana Tukulj-Popovic**, Toronto (CA); **Jelenko Piksa**, Toronto (CA)

\* cited by examiner

(73) Assignee: **Thane International, Inc.**, La Quinta, CA (US)

*Primary Examiner*—Jennifer Rivard

(74) *Attorney, Agent, or Firm*—Law Offices of Kamran Fattahi

(\*\*) Term: **14 Years**

(57) **CLAIM**

(21) Appl. No.: **29/286,586**

The ornamental design for a heated hair styling device, as shown and described.

(22) Filed: **May 10, 2007**

**DESCRIPTION**

(51) **LOC (8) Cl.** ..... **28-03**

FIG. 1 is a perspective view showing a heated hair styling device embodying my new design;

(52) **U.S. Cl.** ..... **D28/35**

FIG. 2 is a bottom plan view thereof;

(58) **Field of Classification Search** ..... 132/222–225, 132/227–229, 236, 245; 219/222, 225, 226; D28/35

FIG. 3 is a left side elevation view thereof;

FIG. 4 is a top plan view thereof;

See application file for complete search history.

FIG. 5 is a right side elevation view thereof;

FIG. 6 is rear end elevation view thereof; and,

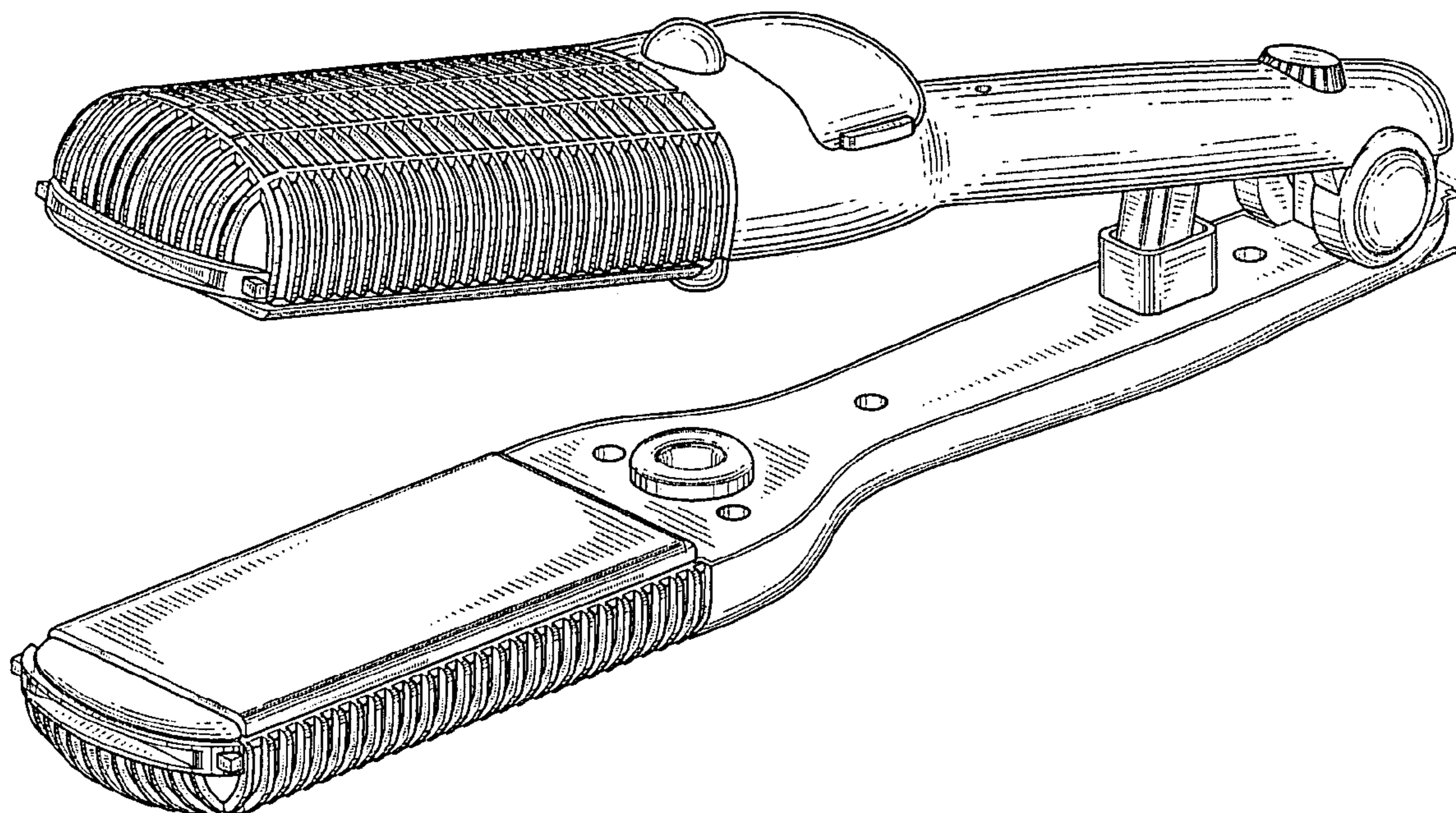
FIG. 7 is a front end elevation view thereof.

(56) **References Cited**

**U.S. PATENT DOCUMENTS**

D501,275 S \* 1/2005 Habibi ..... D28/35

**1 Claim, 6 Drawing Sheets**



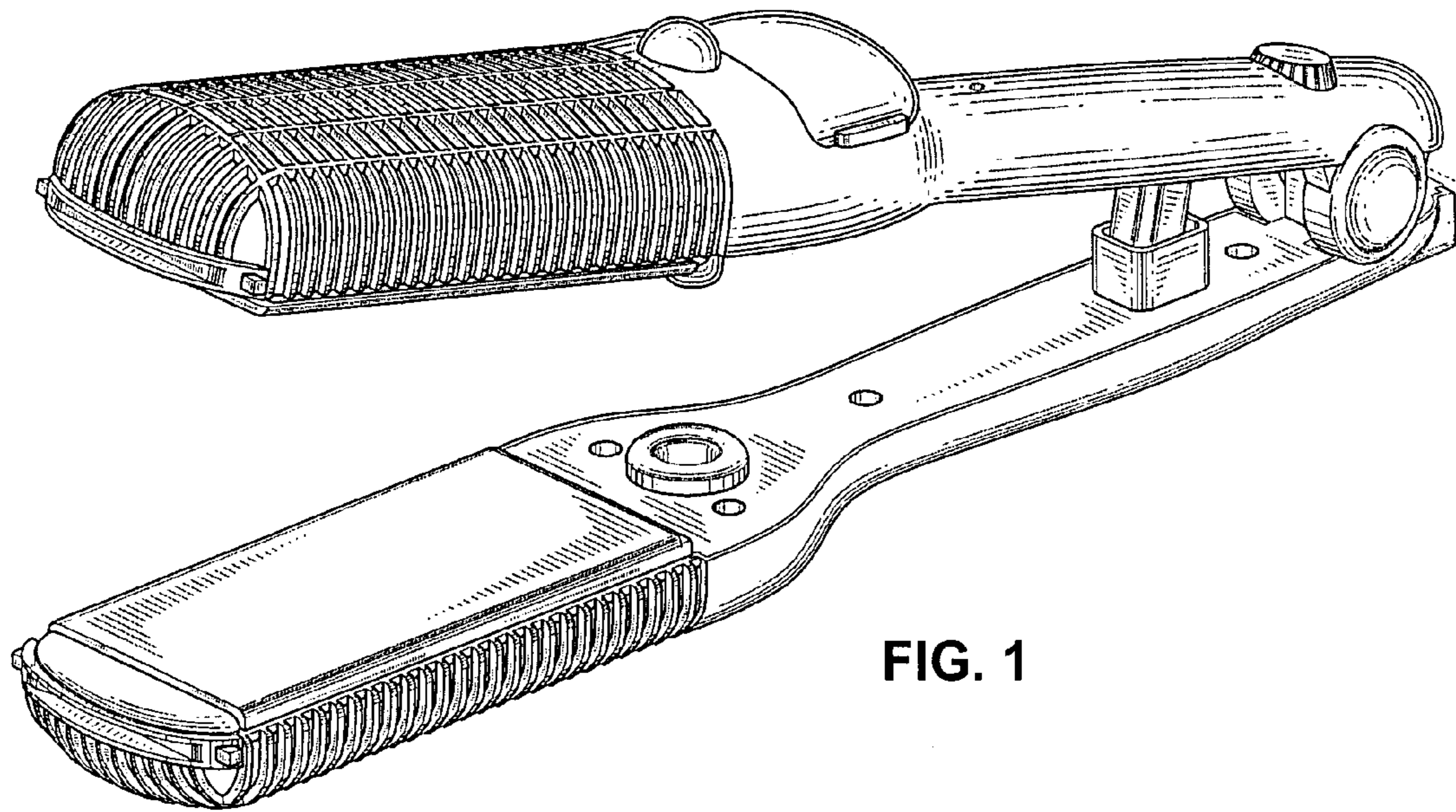


FIG. 1

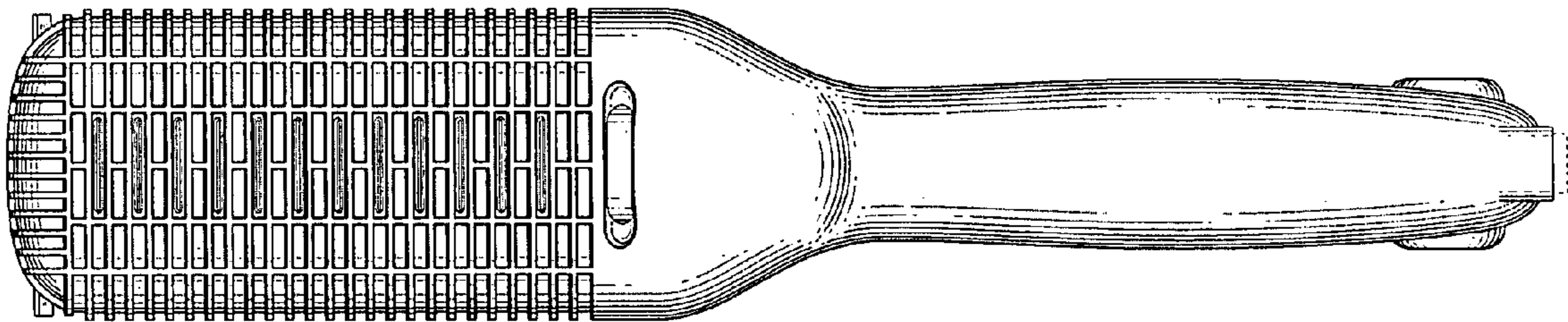


FIG. 2

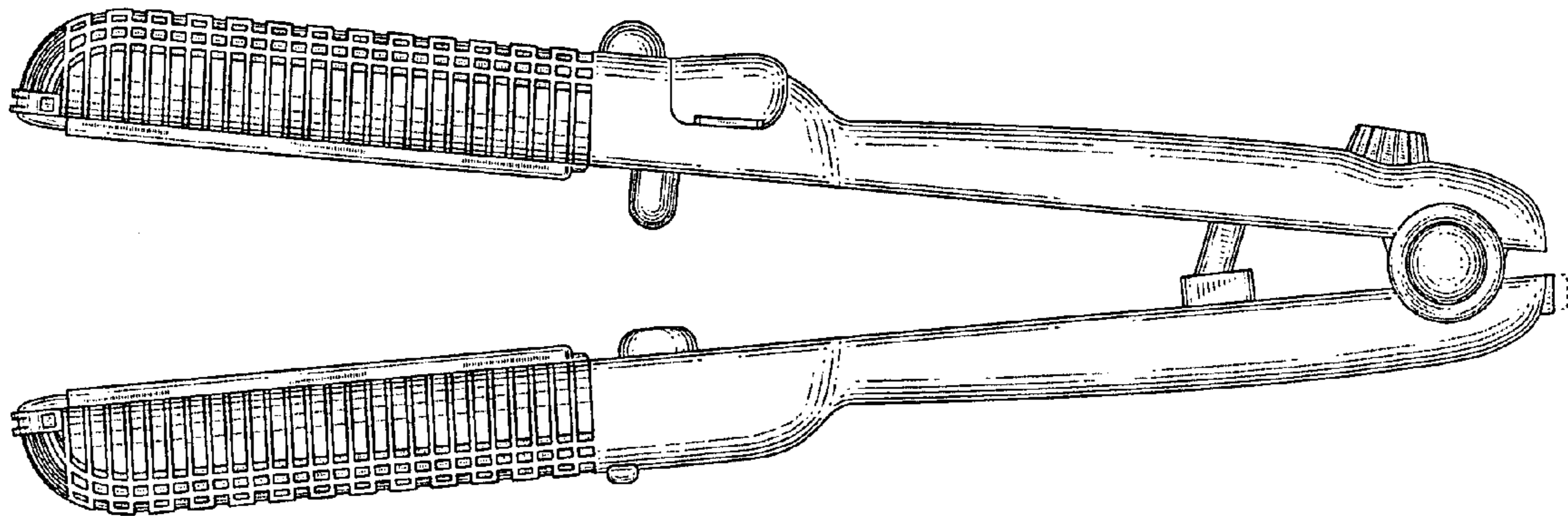


FIG. 3

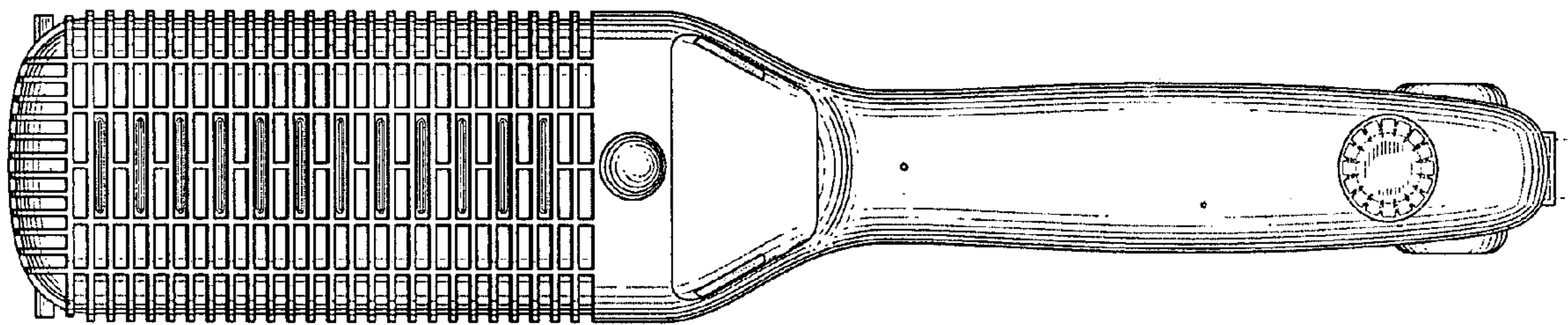


FIG. 4

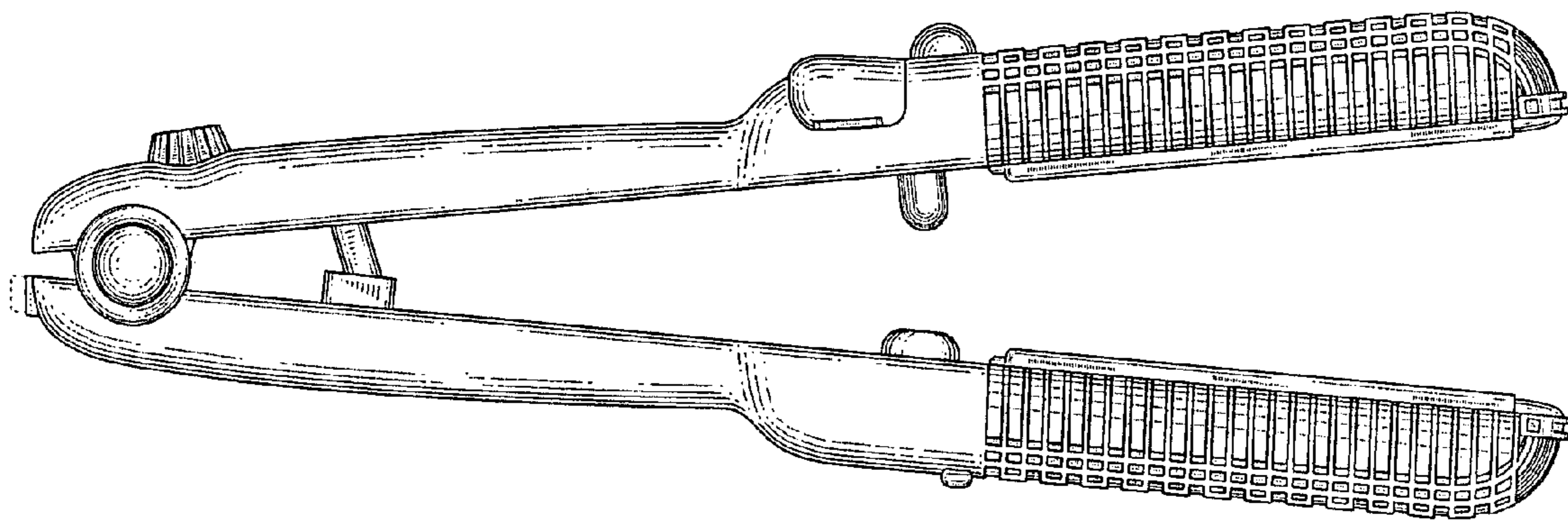


FIG. 5

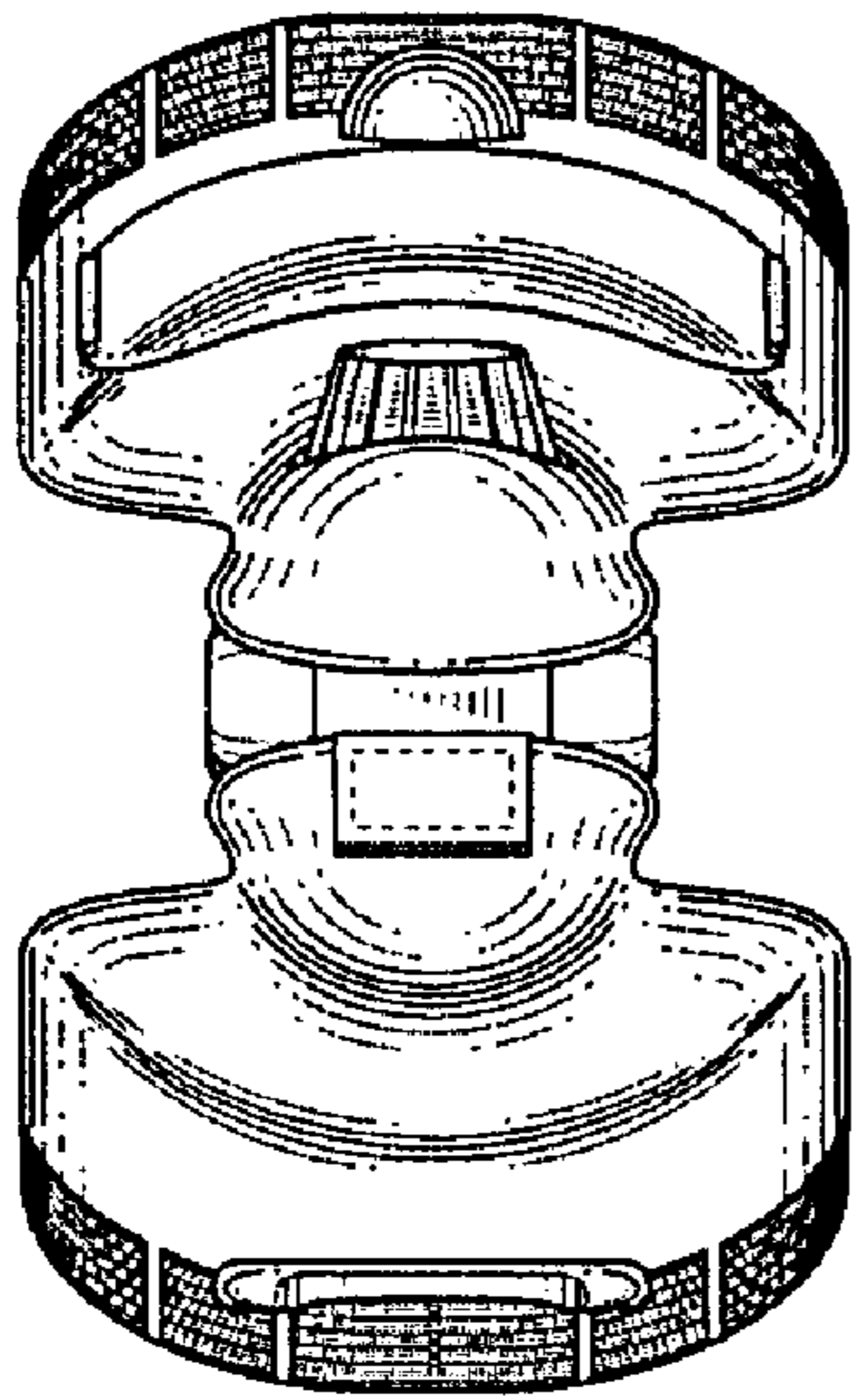


FIG. 6

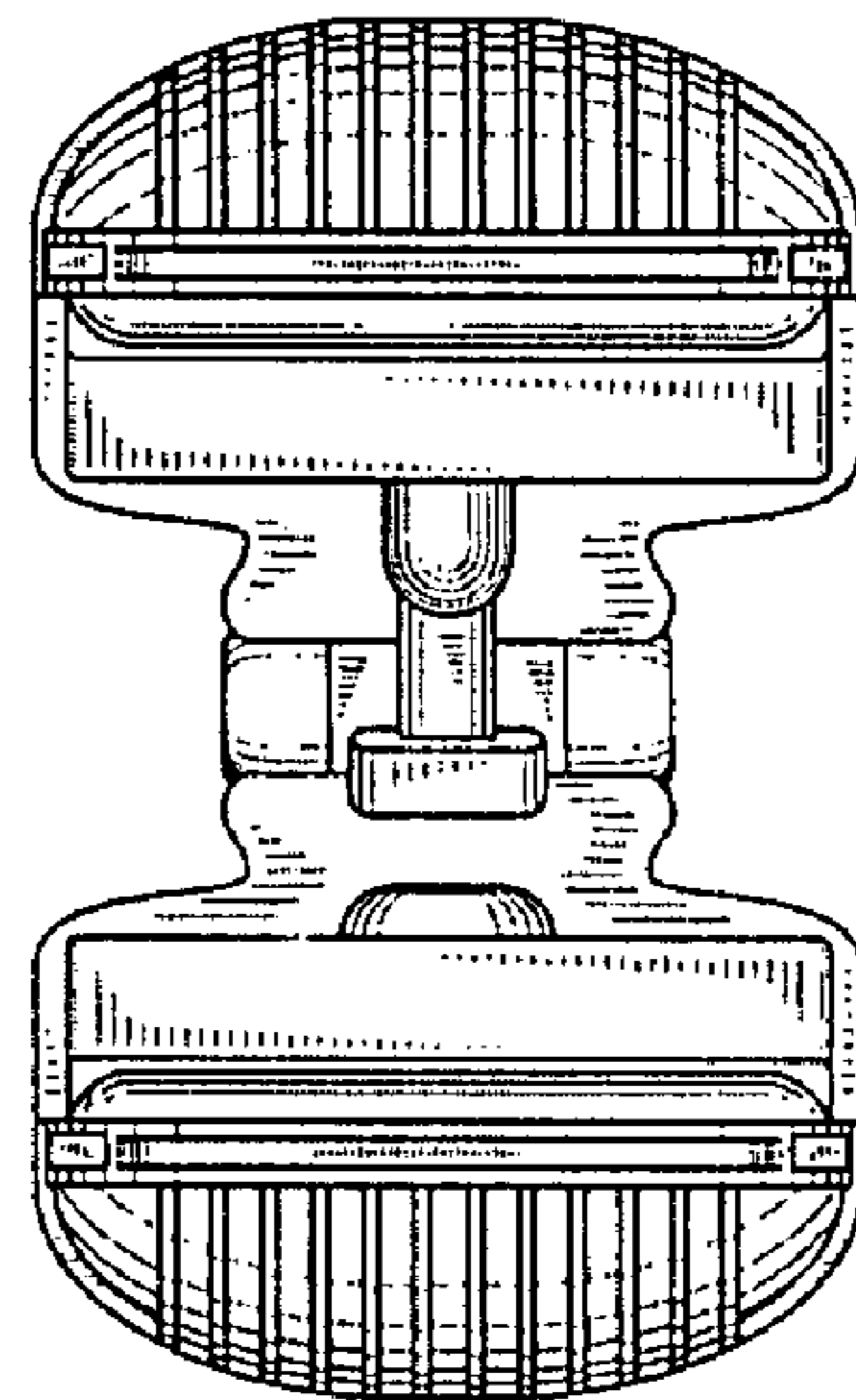


FIG. 7