



US00D557853S

(12) **United States Design Patent**  
**Sandell**

(10) **Patent No.:** **US D557,853 S**

(45) **Date of Patent:** **\*\* Dec. 18, 2007**

(54) **YARD LIGHT WITH DARK SKY SHADE**

(74) *Attorney, Agent, or Firm*—Elliot B. Aronson

(75) Inventor: **Donald R. Sandell**, San Jose, CA (US)

(57) **CLAIM**

(73) Assignee: **EML Technologies LLC**, Danville, CA (US)

The ornamental design for a yard light with dark sky shade, as shown and described.

(\*\*) Term: **14 Years**

(21) Appl. No.: **29/277,023**

(22) Filed: **Feb. 10, 2007**

(51) **LOC (8) Cl.** ..... **26-05**

(52) **U.S. Cl.** ..... **D26/71**

(58) **Field of Classification Search** ..... D26/67,  
D26/68, 70, 71, 87, 92; 362/147, 370, 431  
See application file for complete search history.

(56) **References Cited**

U.S. PATENT DOCUMENTS

D54,630 S *	3/1920	Jimmerson	.....	D24/210
D130,671 S *	12/1941	Wince	.....	D26/71
D179,339 S *	12/1956	Clark et al.	.....	D26/131
D188,916 S *	9/1960	Harling	.....	D26/71
D200,118 S *	1/1965	Van Steenhoven	.....	D26/71
3,277,292 A *	10/1966	Horan	.....	362/430
D207,867 S *	6/1967	Pettengill	.....	D26/70
4,595,971 A	6/1986	Dean		
D329,714 S	9/1992	McIngvale et al.		
5,329,438 A	7/1994	Thompson		
D358,226 S	5/1995	Osteen et al.		
D400,280 S *	10/1998	Leen	.....	D26/71
5,823,665 A *	10/1998	Braun	.....	362/376
D407,843 S	4/1999	Leen		
D418,620 S	1/2000	Grossman		
D424,228 S	5/2000	Grossman		
7,108,238 B2	9/2006	Gauci		

\* cited by examiner

*Primary Examiner*—Clare E Heflin

**DESCRIPTION**

FIG. 1 is an overall perspective view of a yard light with dark sky shade showing a first embodiment of my design;

FIG. 2 is a front elevational view of the yard light of FIG. 1;

FIG. 3 is a rear elevational view of the yard light of FIG. 1; FIG. 4 is a right side elevational view of the yard light of FIG. 1, the left side being a mirror image;

FIG. 5 is a top plan view of the yard light of FIG. 1; and FIG. 6 is a bottom plan view of the yard light of FIG. 1.

FIG. 7 is an overall perspective view of a second embodiment of a yard light showing my design;

FIG. 8 is a front elevational view of the yard light embodiment of FIG. 7;

FIG. 9 is a rear elevational view of the yard light embodiment of FIG. 7;

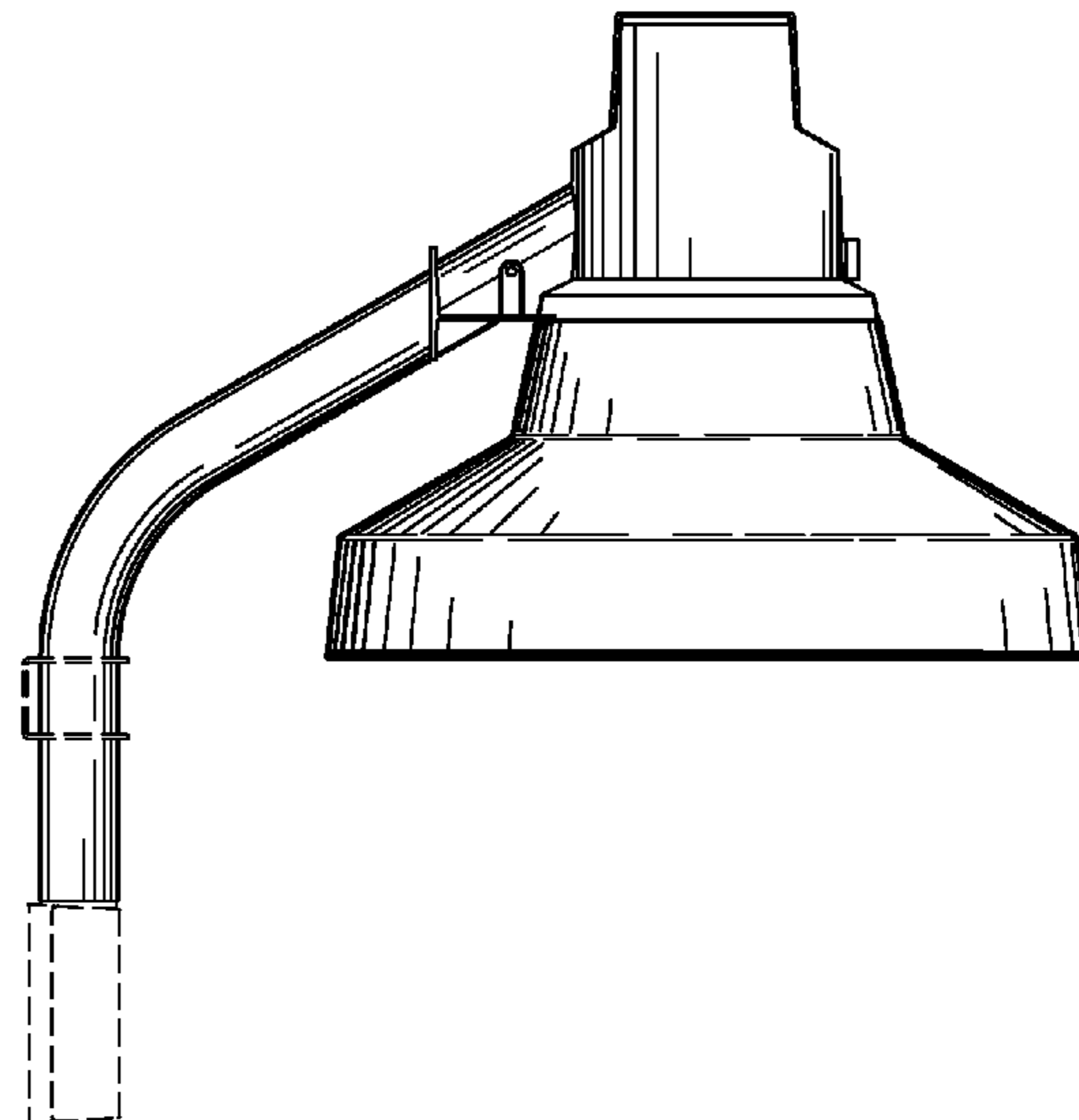
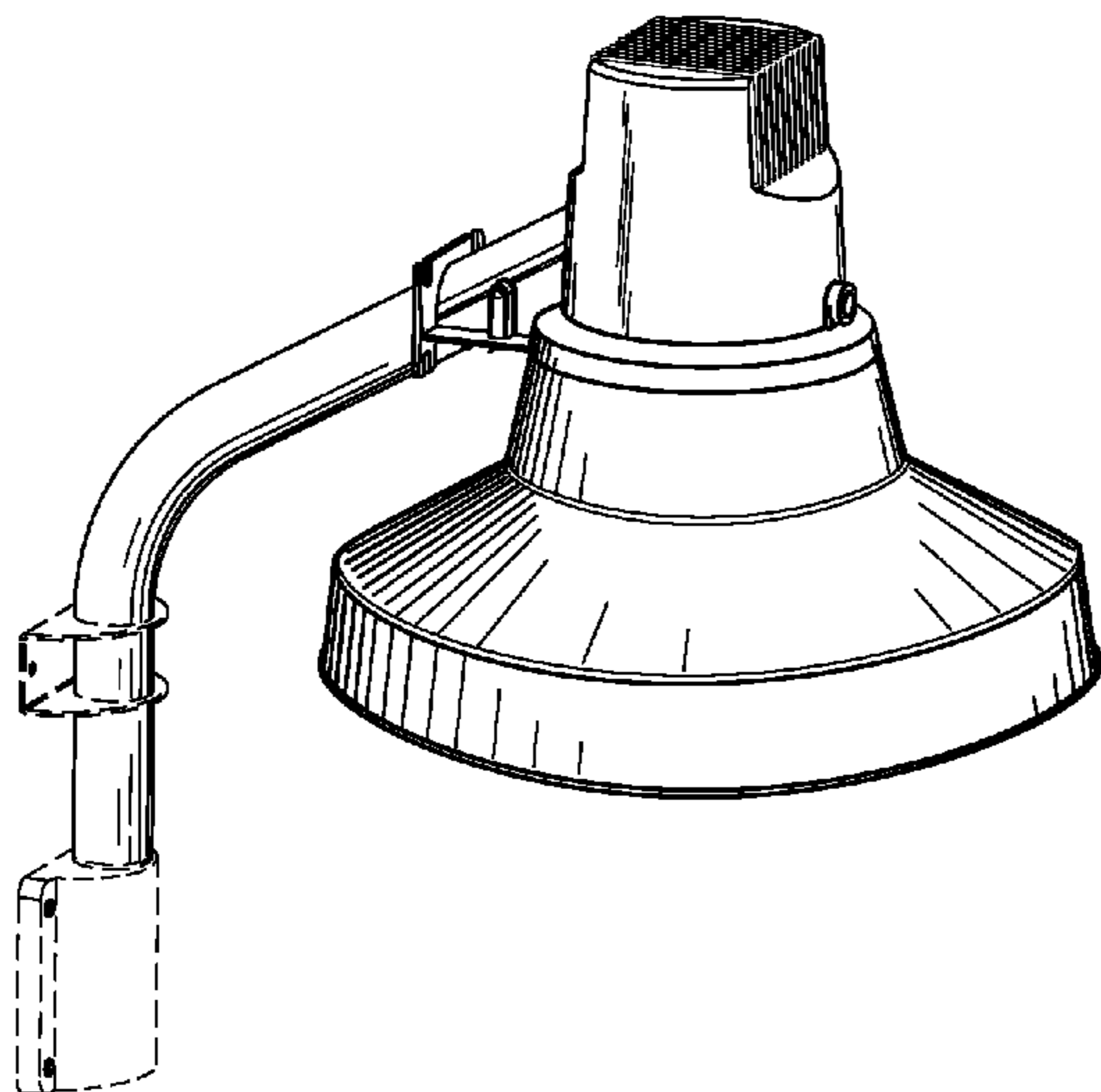
FIG. 10 is a top plan view of the yard light embodiment of FIG. 7;

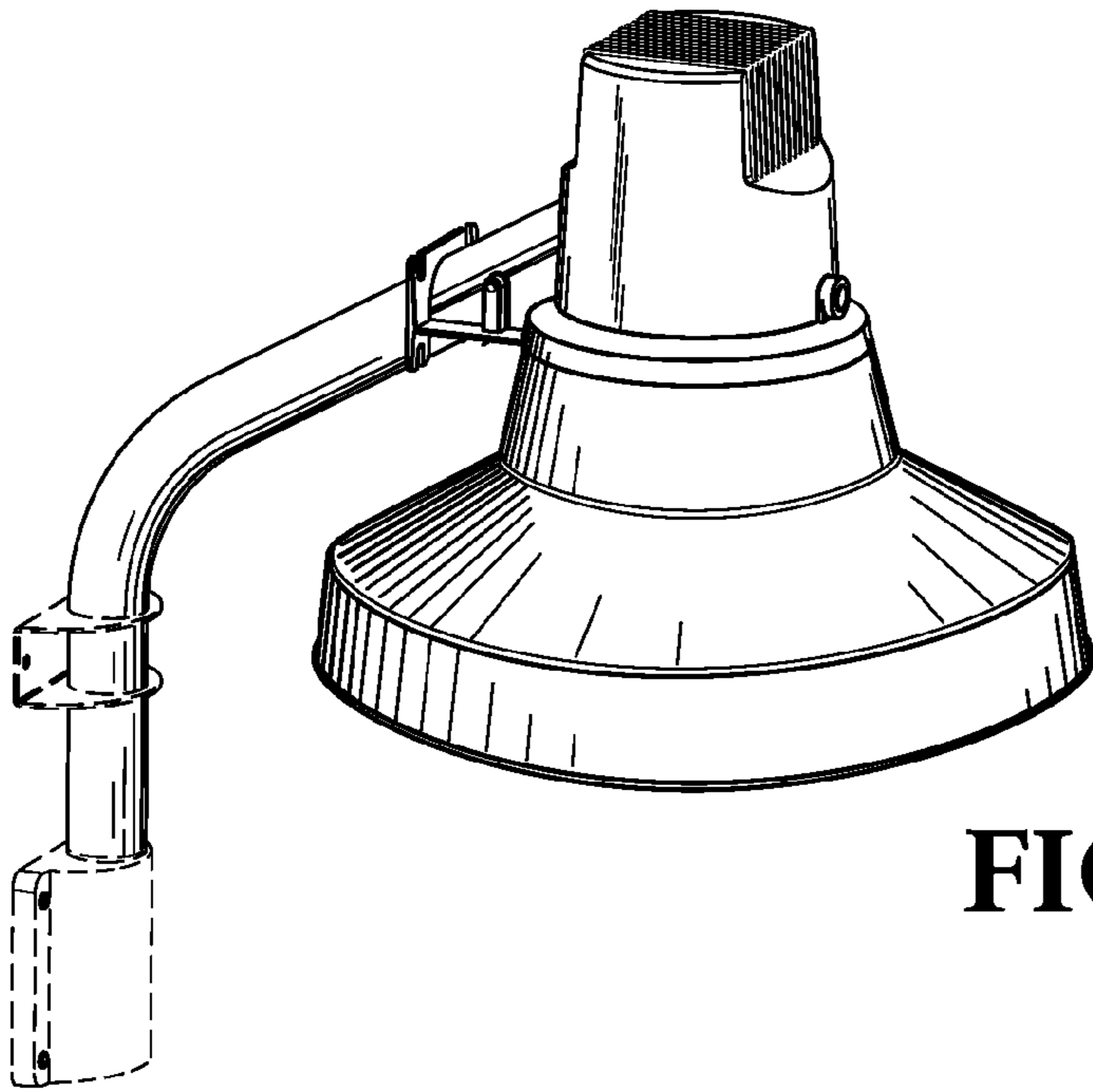
FIG. 11 is a bottom plan view of the yard light embodiment of FIG. 7; and,

FIG. 12 is a right side elevational view of the yard light of FIG. 7, the left side being a mirror image.

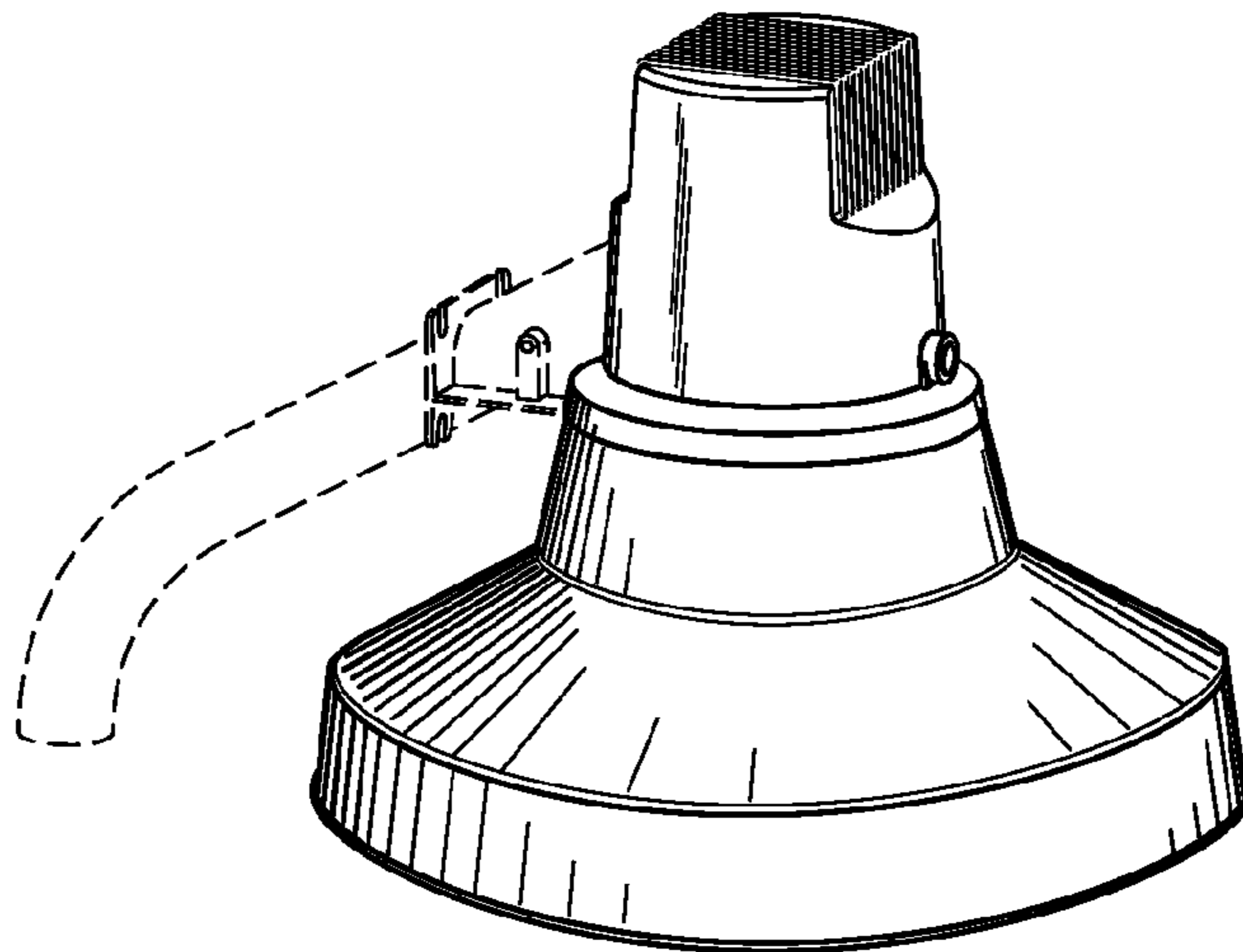
The Figures all show portions in broken lines, which are indicated for illustrative purposes only and do not form part of the claimed design.

**1 Claim, 5 Drawing Sheets**

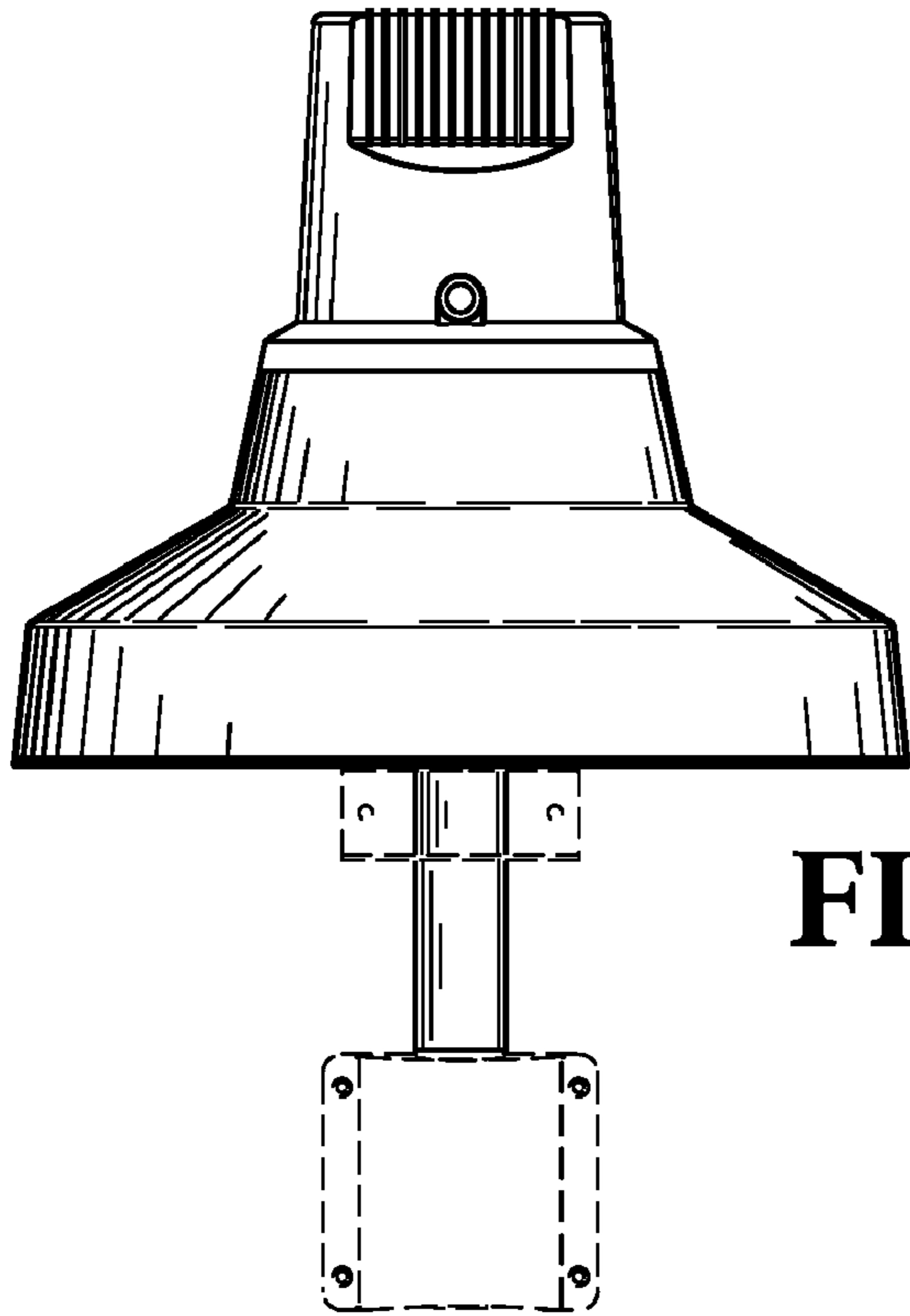




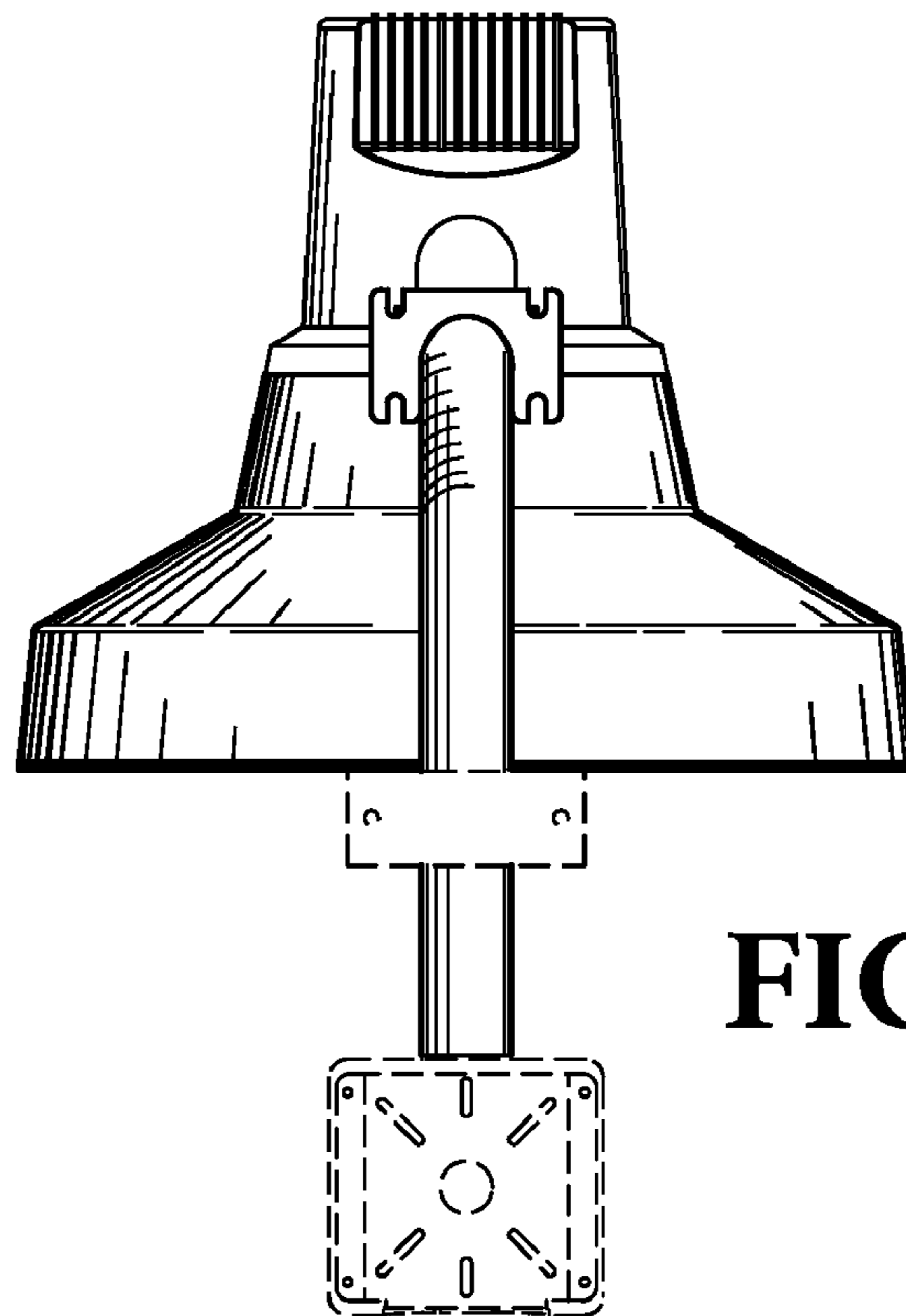
**FIG. 1**



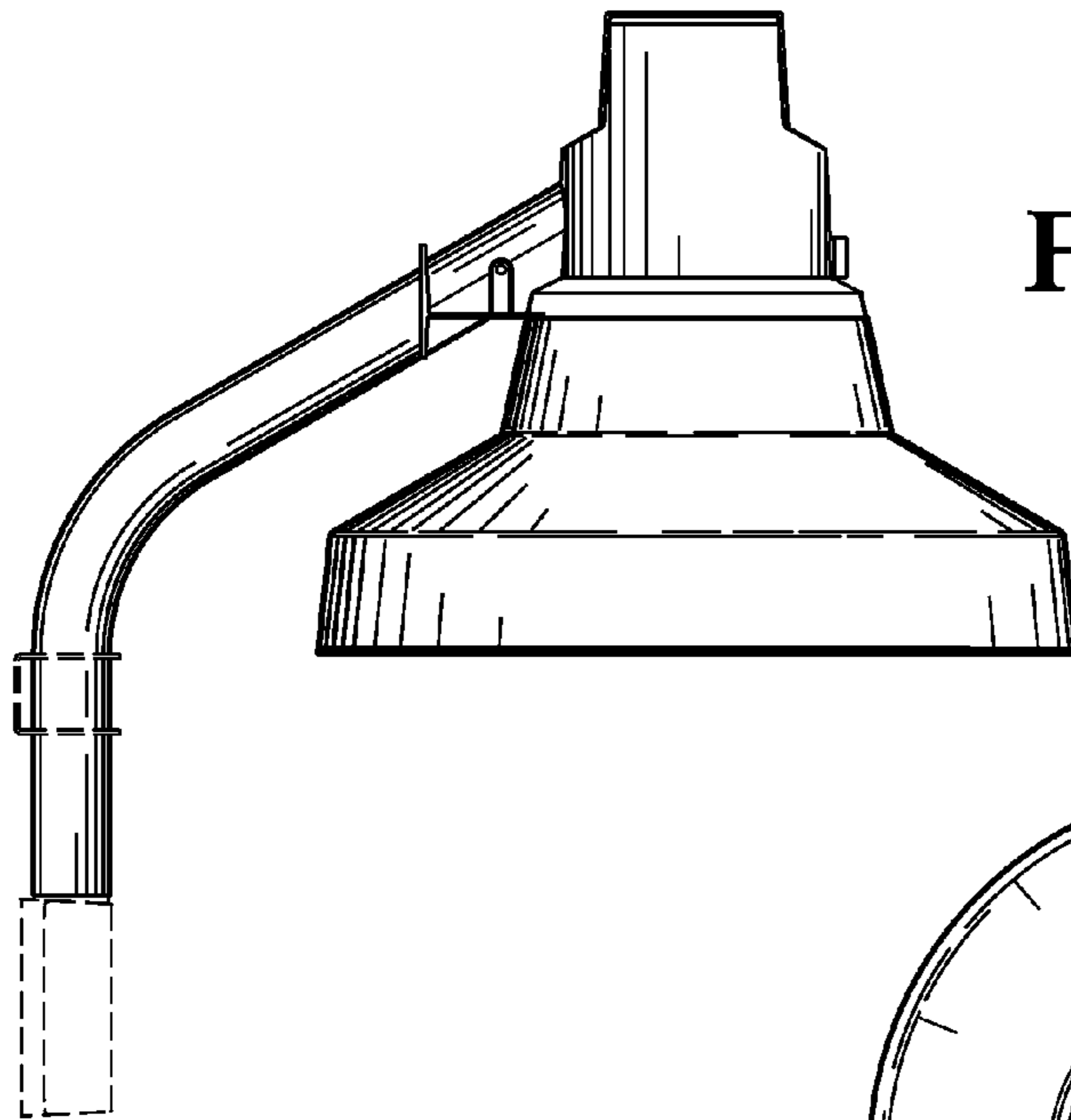
**FIG. 7**



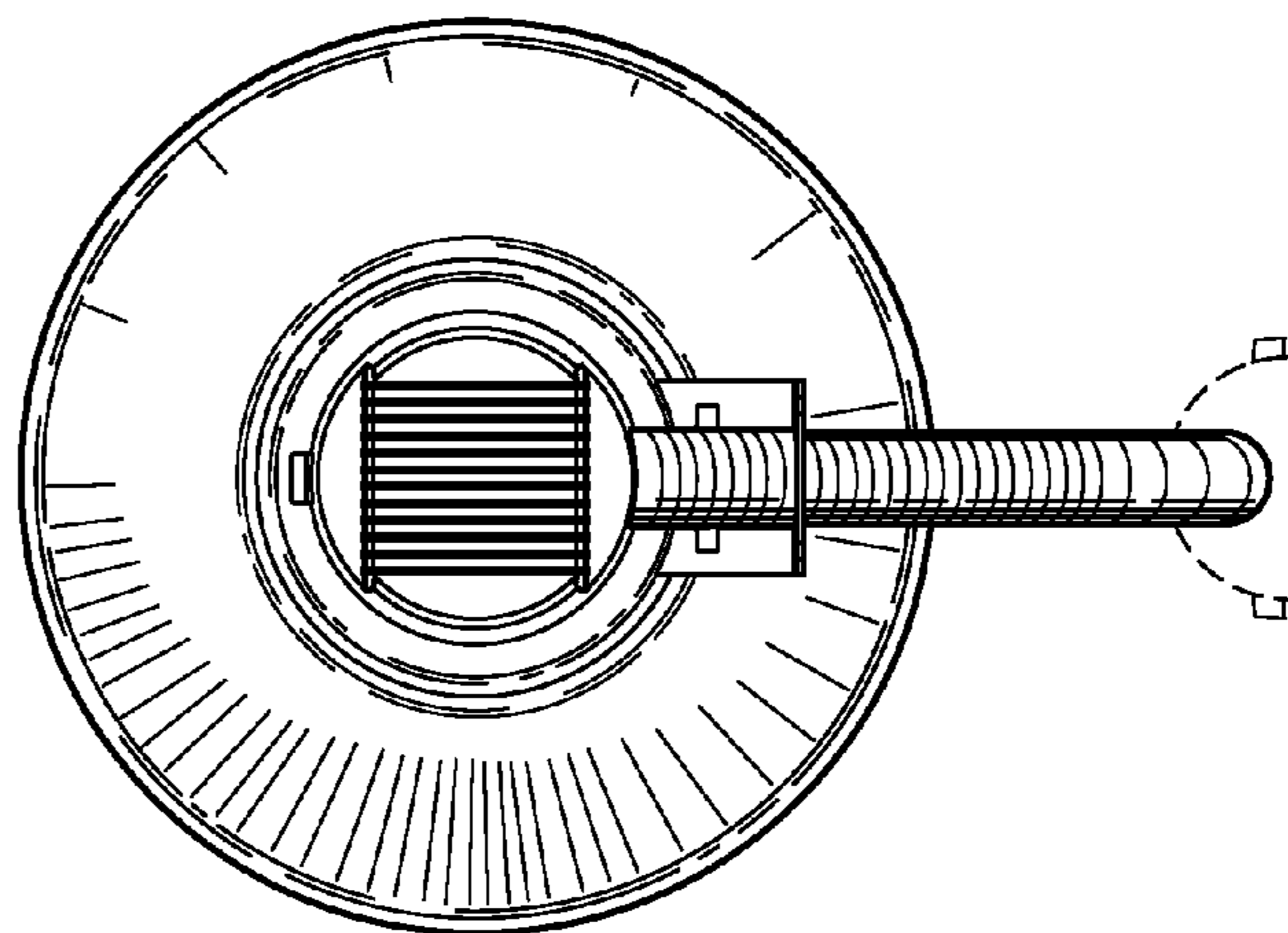
**FIG. 2**



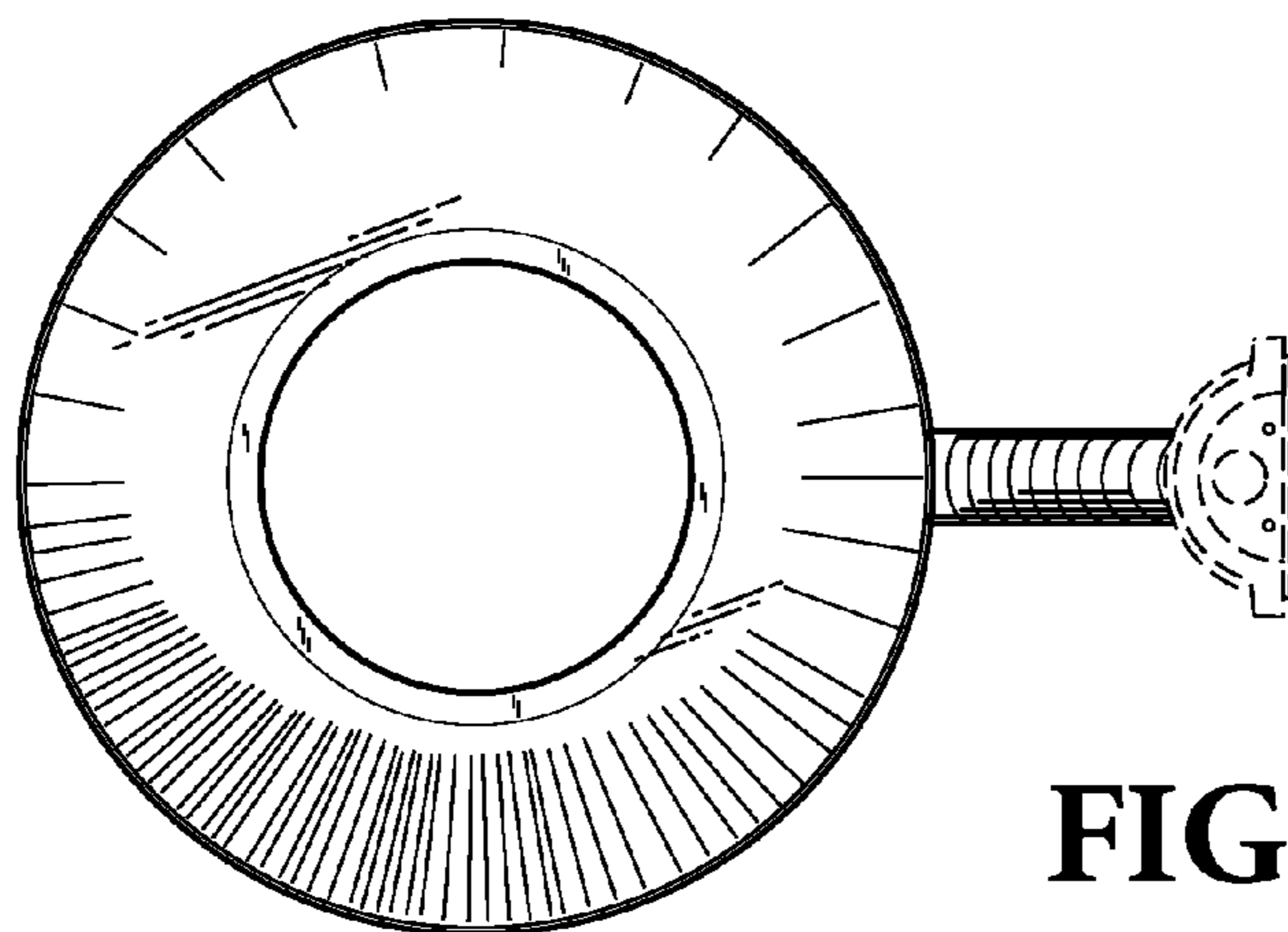
**FIG. 3**



**FIG. 4**



**FIG. 5**



**FIG. 6**

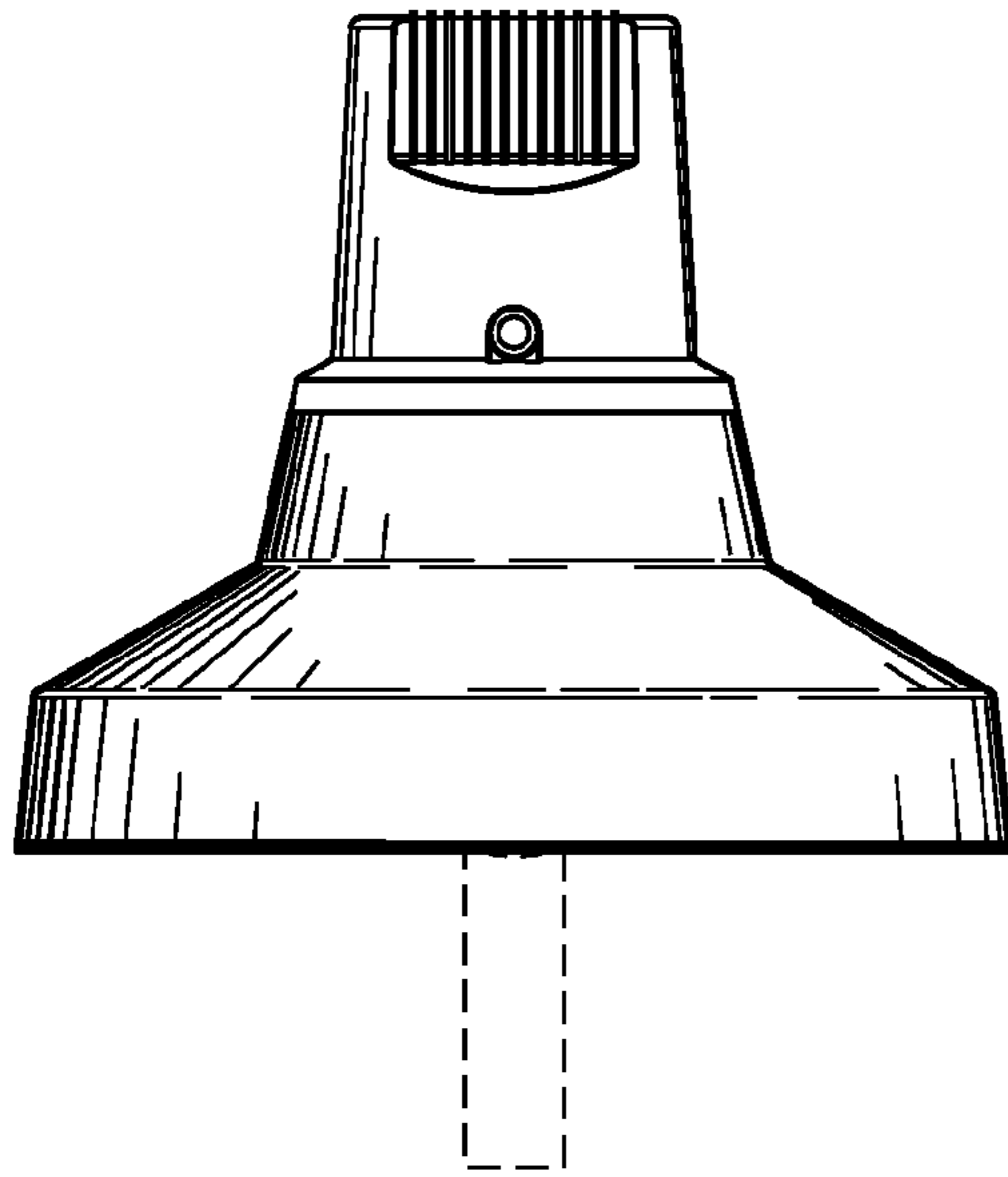


FIG. 8

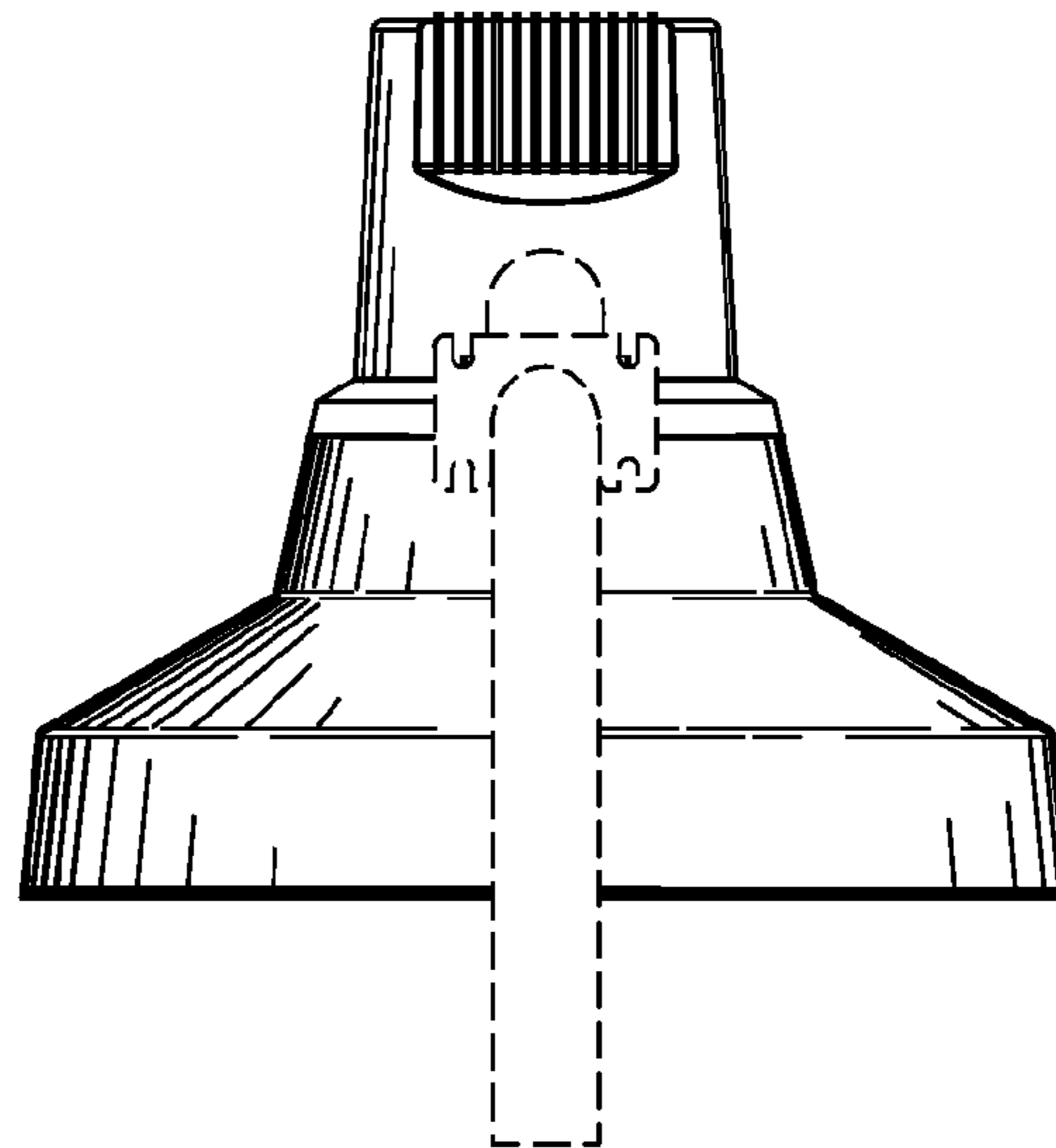
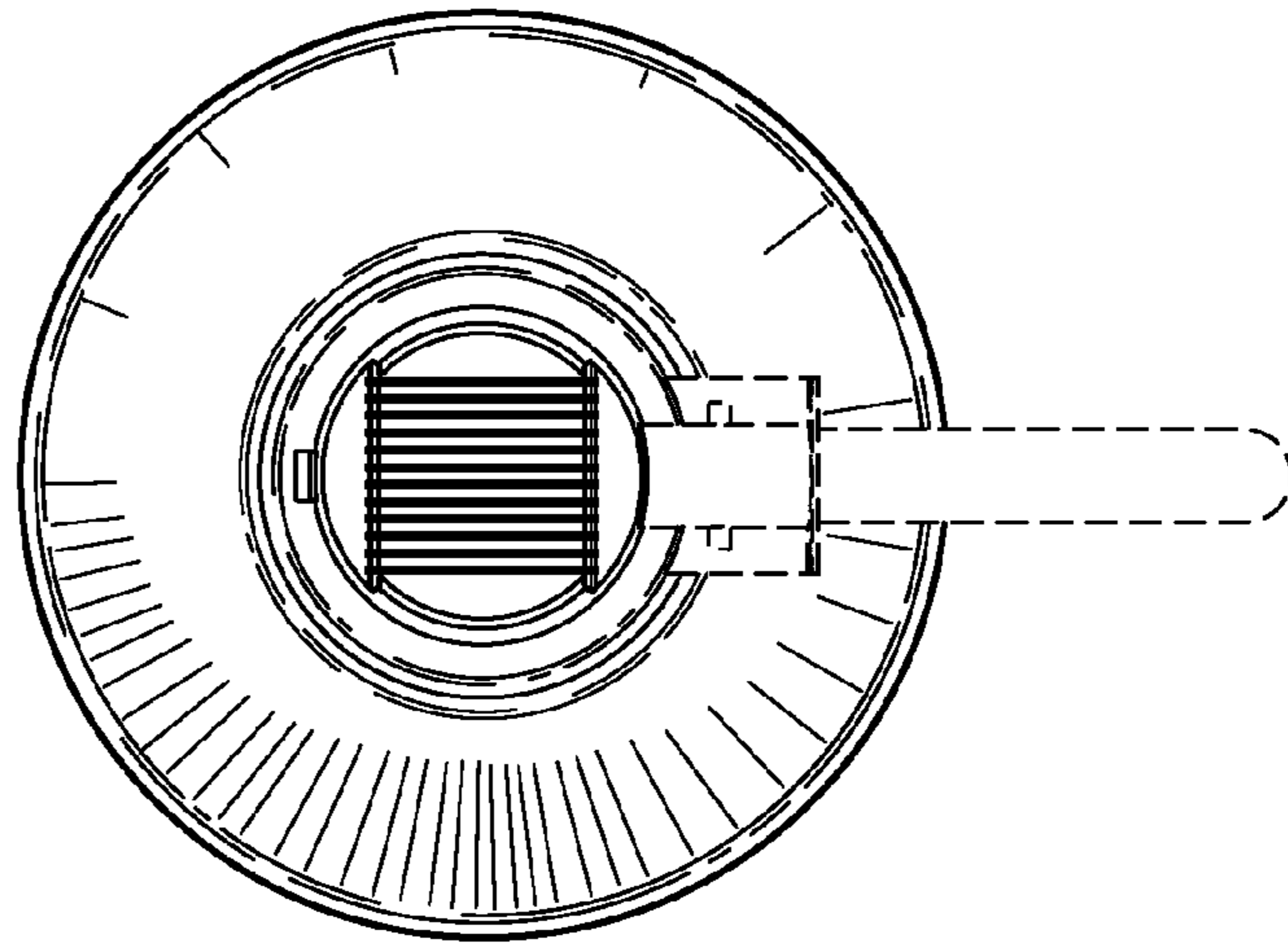
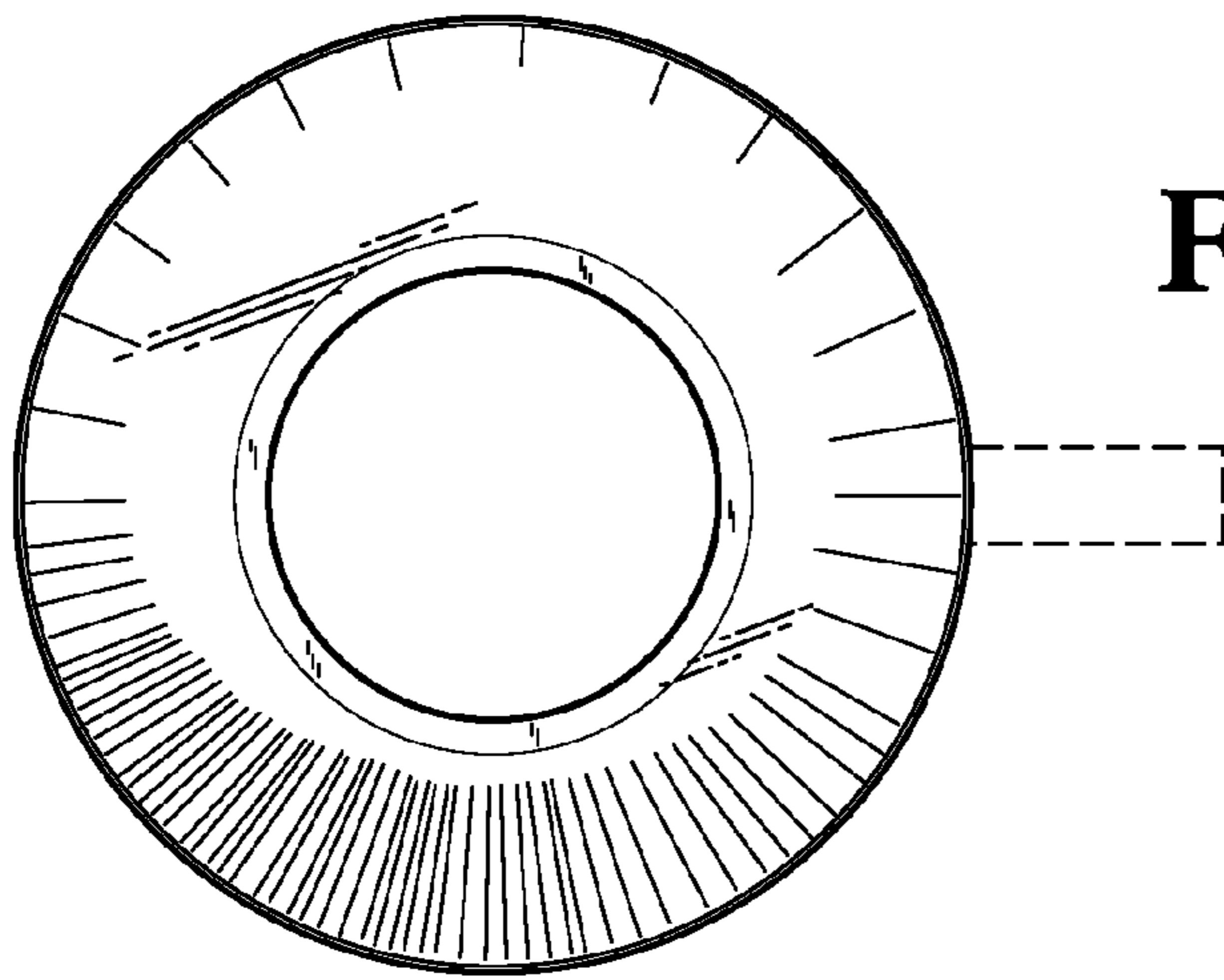


FIG. 9

**FIG. 10**



**FIG. 11**



**FIG. 12**

