



US00D557852S

(12) **United States Design Patent**
Sanoner

(10) **Patent No.:** **US D557,852 S**

(45) **Date of Patent:** **** Dec. 18, 2007**

(54) **SOLAR LIGHT**

(75) Inventor: **Hughes Marie Sanoner**, Hong Kong (HK)

(73) Assignee: **Solar Wide Industrial Limited**, Tsuen Wan, New Territories, Hong Kong (CN)

(**) Term: **14 Years**

(21) Appl. No.: **29/272,894**

(22) Filed: **Feb. 20, 2007**

(30) **Foreign Application Priority Data**

Sep. 1, 2006 (EM) 000583000-0010

(51) **LOC (8) Cl.** **26-05**

(52) **U.S. Cl.** **D26/68**

(58) **Field of Classification Search** D26/27,
D26/63, 67-71; 362/183, 145, 152, 153,
362/153.1, 266, 267, 269, 275, 287, 415,
362/431, 554, 556, 565, 567

See application file for complete search history.

(56) **References Cited**

U.S. PATENT DOCUMENTS

3,644,725 A * 2/1972 Lochridge 362/556

6,502,957 B1 * 1/2003 Klaitman 362/250
6,634,767 B2 * 10/2003 Huang 362/252
2002/0097577 A1 * 7/2002 Huang 362/240
2003/0016544 A1 * 1/2003 Huang 362/565

* cited by examiner

Primary Examiner—Clare E Heflin

(74) *Attorney, Agent, or Firm*—Alix, Yale & Ristas, LLP

(57) **CLAIM**

The ornamental design for a solar light, as shown and described.

DESCRIPTION

FIG. 1 is a front, right side and top perspective view of a solar light showing my new design;

FIG. 2 is a front elevational view thereof;

FIG. 3 is a rear elevational view thereof;

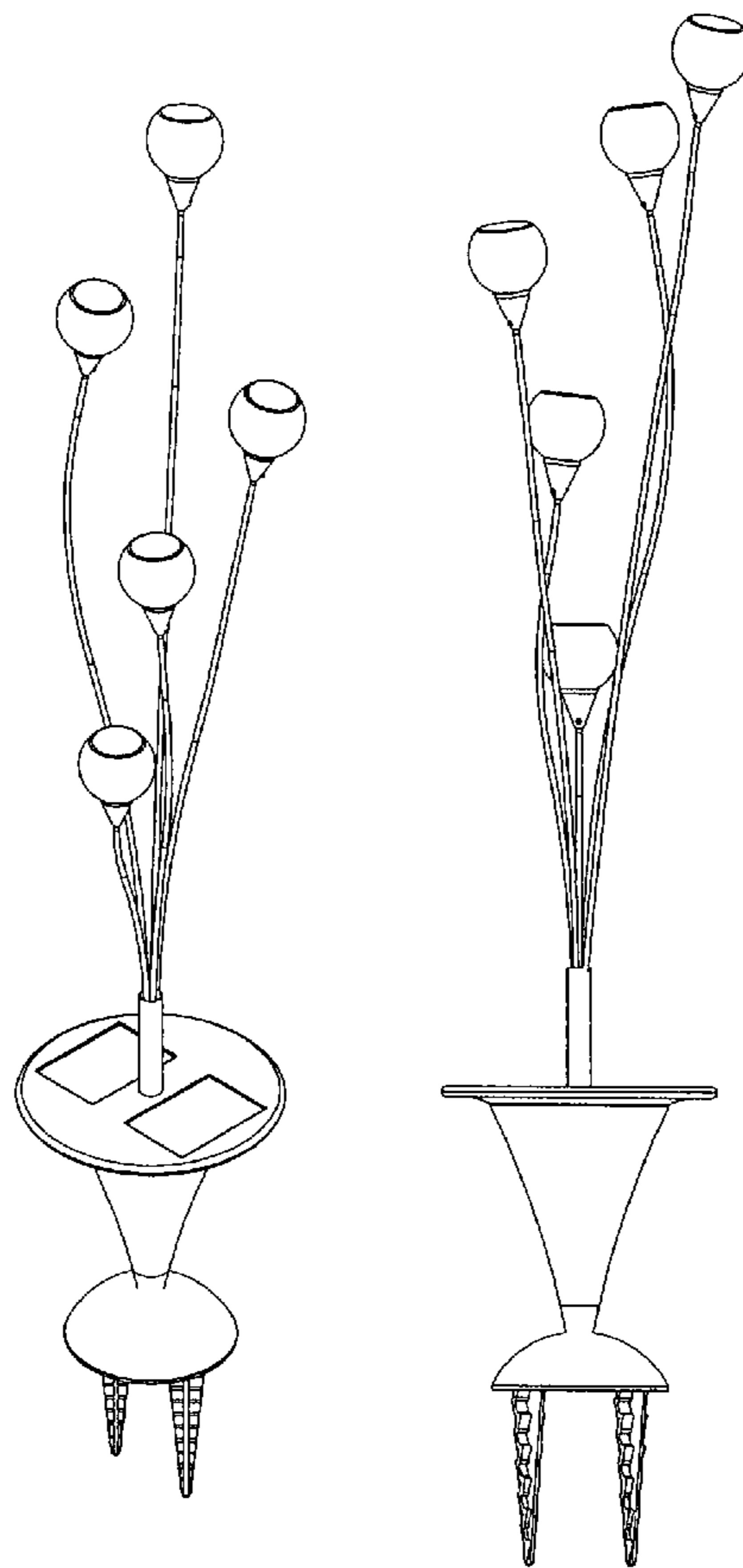
FIG. 4 is a left side elevational view thereof;

FIG. 5 is a right side elevational view thereof;

FIG. 6 is a top end view thereof; and,

FIG. 7 is a bottom end view thereof.

1 Claim, 2 Drawing Sheets



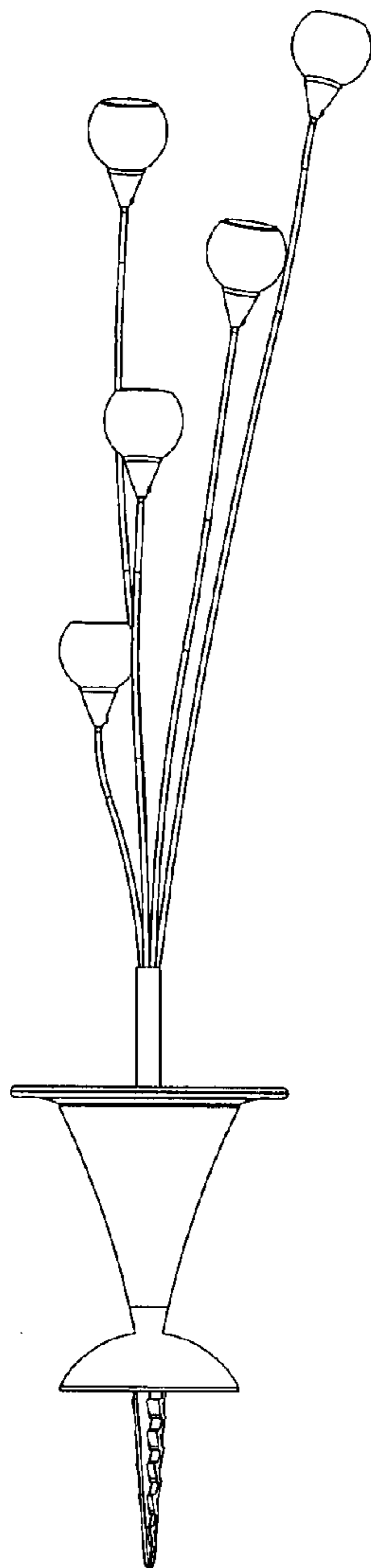


Fig. 5

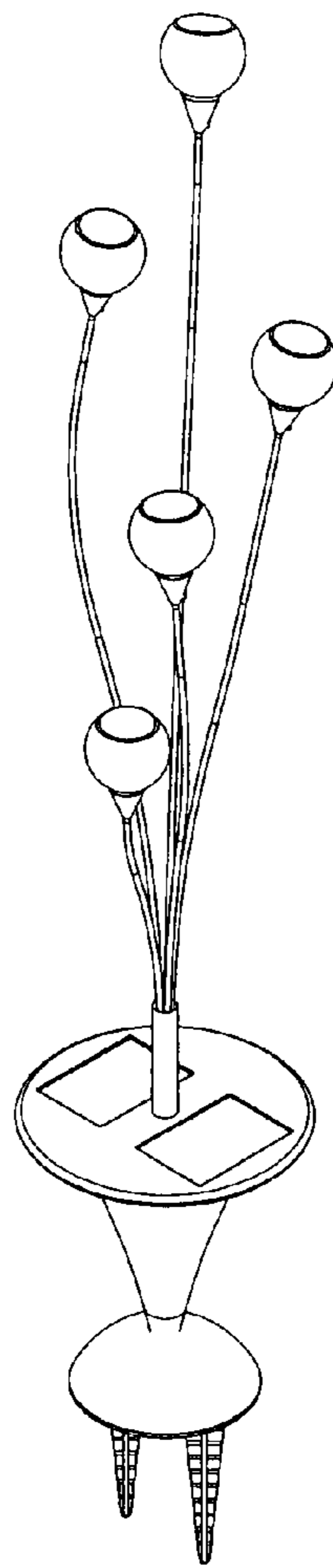


Fig. 1

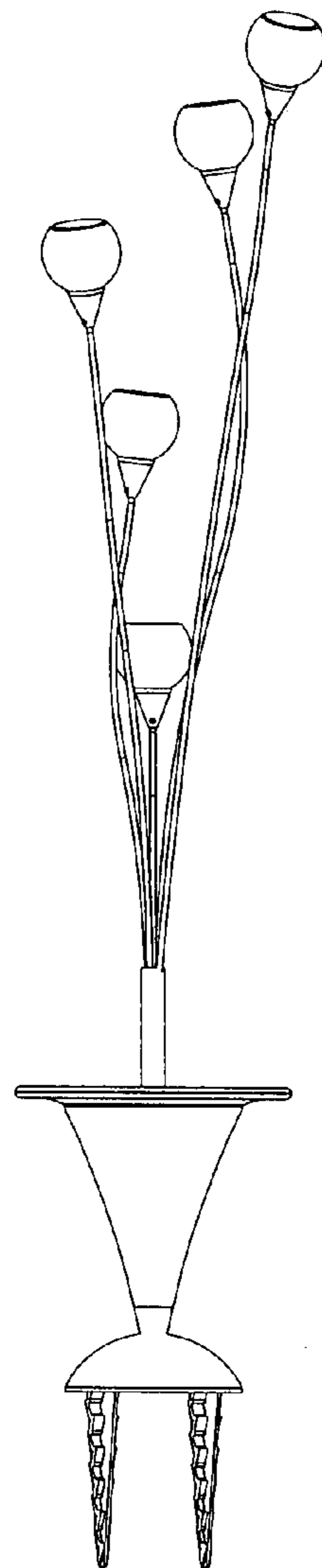


Fig. 3

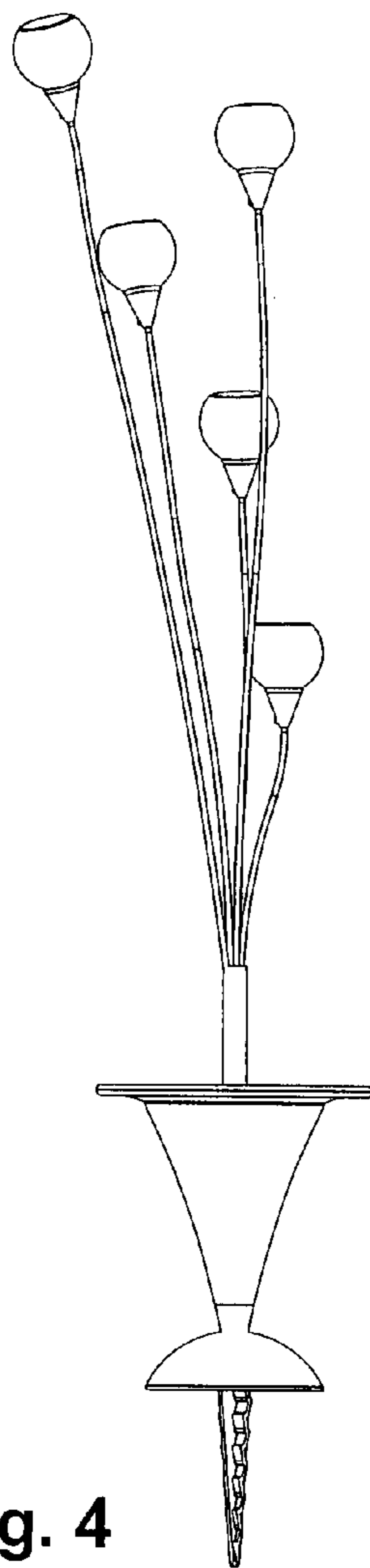


Fig. 4

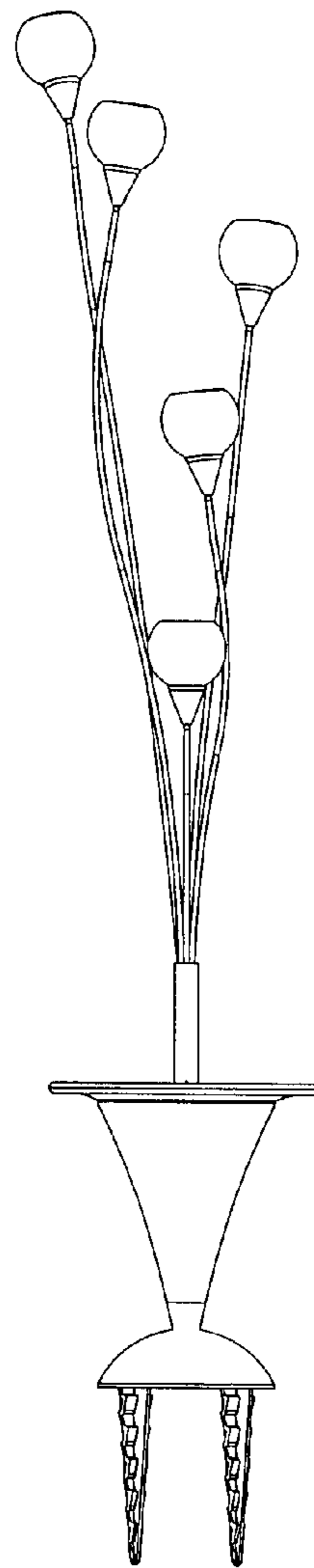


Fig. 2

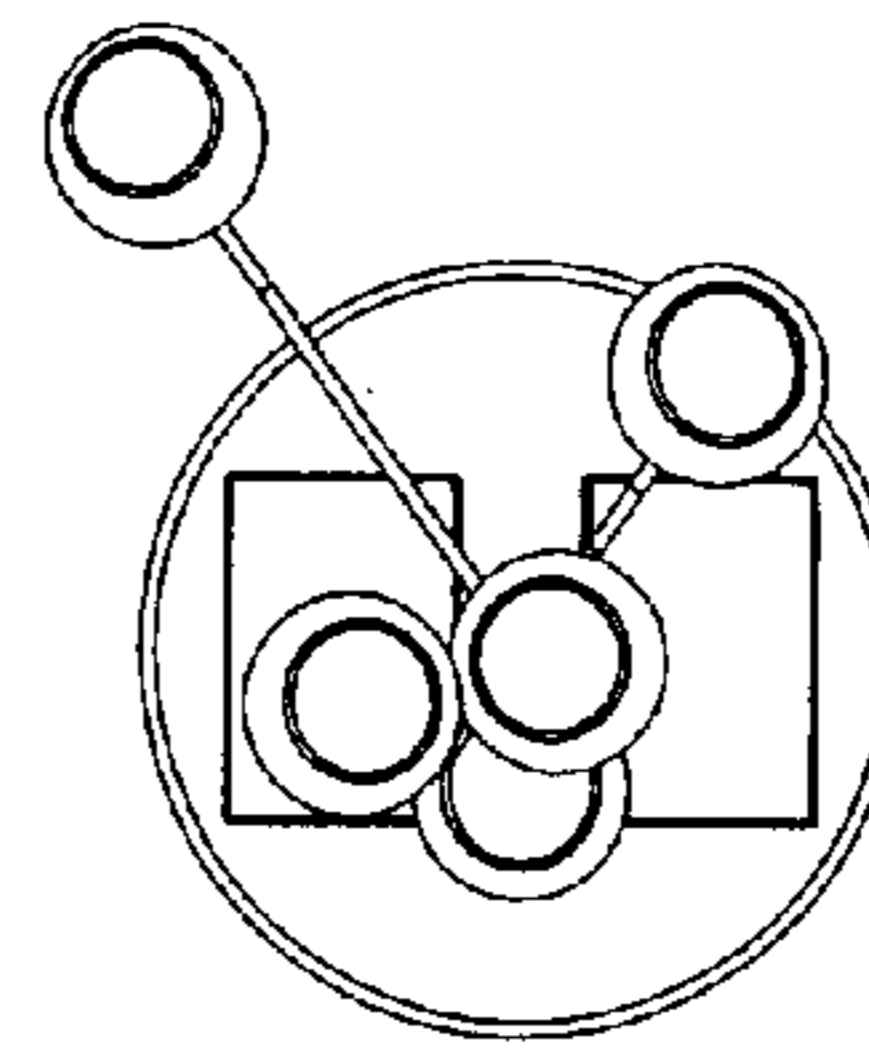


Fig. 6

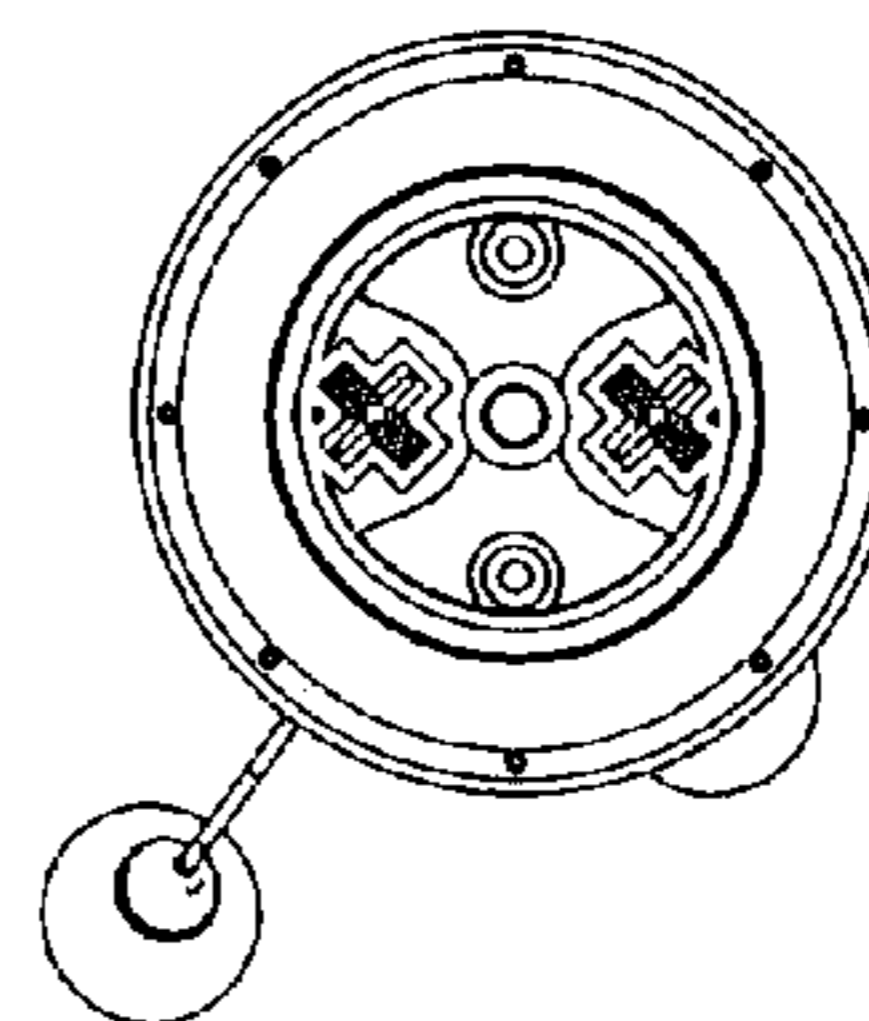


Fig. 7