



US00D557851S

(12) **United States Design Patent**  
**Chen**

(10) **Patent No.:** **US D557,851 S**

(45) **Date of Patent:** **\*\* Dec. 18, 2007**

(54) **SOLAR POWERED OUTDOOR LIGHT  
FIXTURE**

D505,509 S \* 5/2005 Chen ..... D26/67  
D539,957 S \* 4/2007 Luo ..... D26/67  
D548,870 S \* 8/2007 Richmond ..... D26/67

(76) Inventor: **Chi Gon Chen**, c/o International  
Development Corp. 899 Henrietta Dr.,  
Roanoke, TX (US) 76262-6309

\* cited by examiner

*Primary Examiner*—Clare E Heflin

(\*\*) Term: **14 Years**

(57) **CLAIM**

(21) Appl. No.: **29/273,101**

I claim the ornamental design for a solar powered outdoor  
light fixture, as shown and described.

(22) Filed: **Feb. 27, 2007**

(51) **LOC (8) Cl.** ..... **26-05**

(52) **U.S. Cl.** ..... **D26/67**

(58) **Field of Classification Search** ..... D26/67-71,  
D26/133-135; D22/123; 362/152, 183,  
362/431

See application file for complete search history.

**DESCRIPTION**

FIG. 1 is a perspective view;

FIG. 2 is a front elevational view; the left side elevational  
view, the right side elevational view and the rear elevational  
view being the same;

FIG. 3 is a top plan view; and,

FIG. 4 is a bottom plan view.

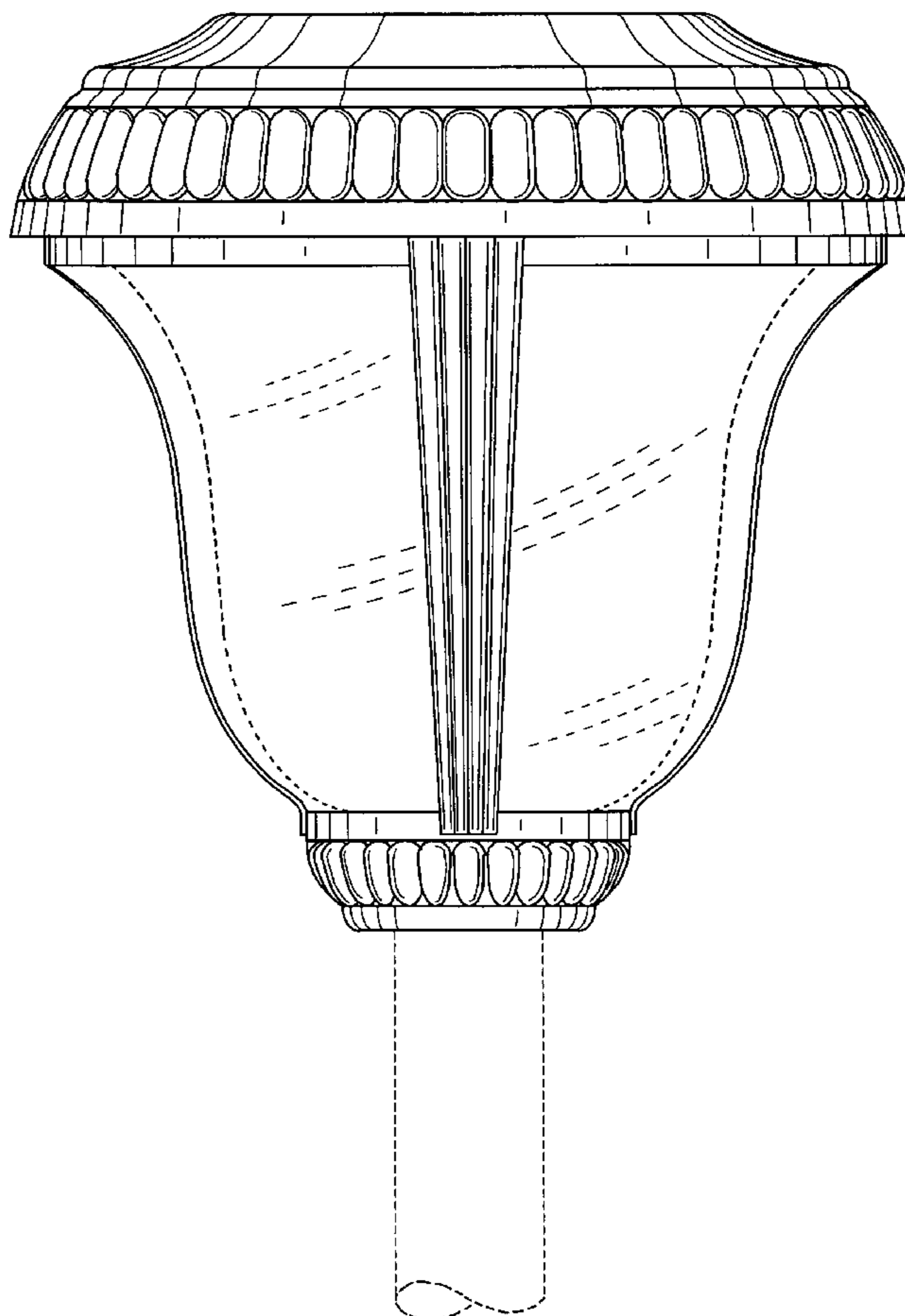
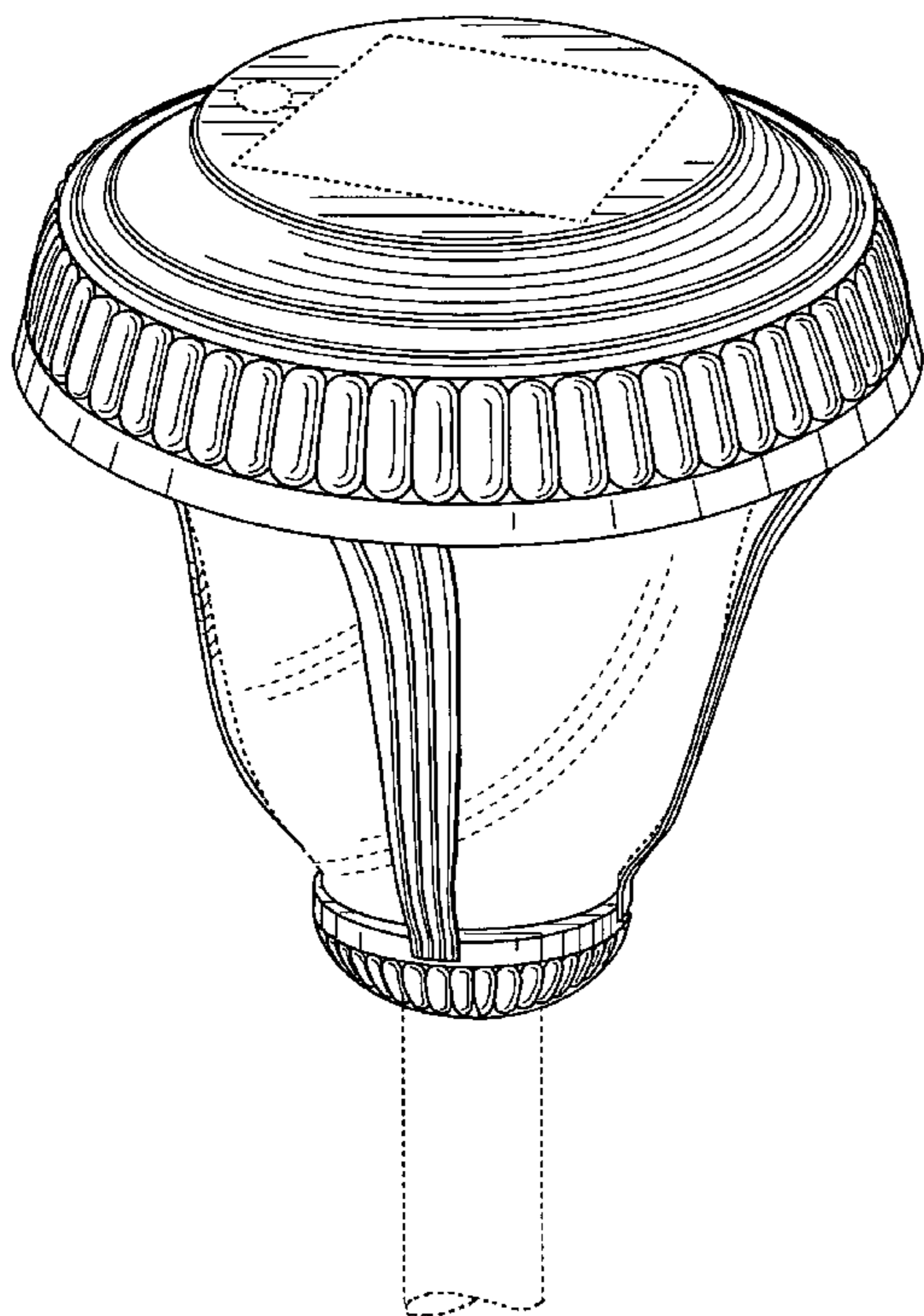
The broken lines shown on the drawings are for illustrative  
purposes only and form no part of the claimed design.

(56) **References Cited**

**U.S. PATENT DOCUMENTS**

D75,546 S \* 6/1928 Buschman ..... D26/2  
D81,452 S \* 6/1930 Osborn ..... D26/141  
D199,144 S \* 9/1964 Daum ..... D26/67

**1 Claim, 4 Drawing Sheets**



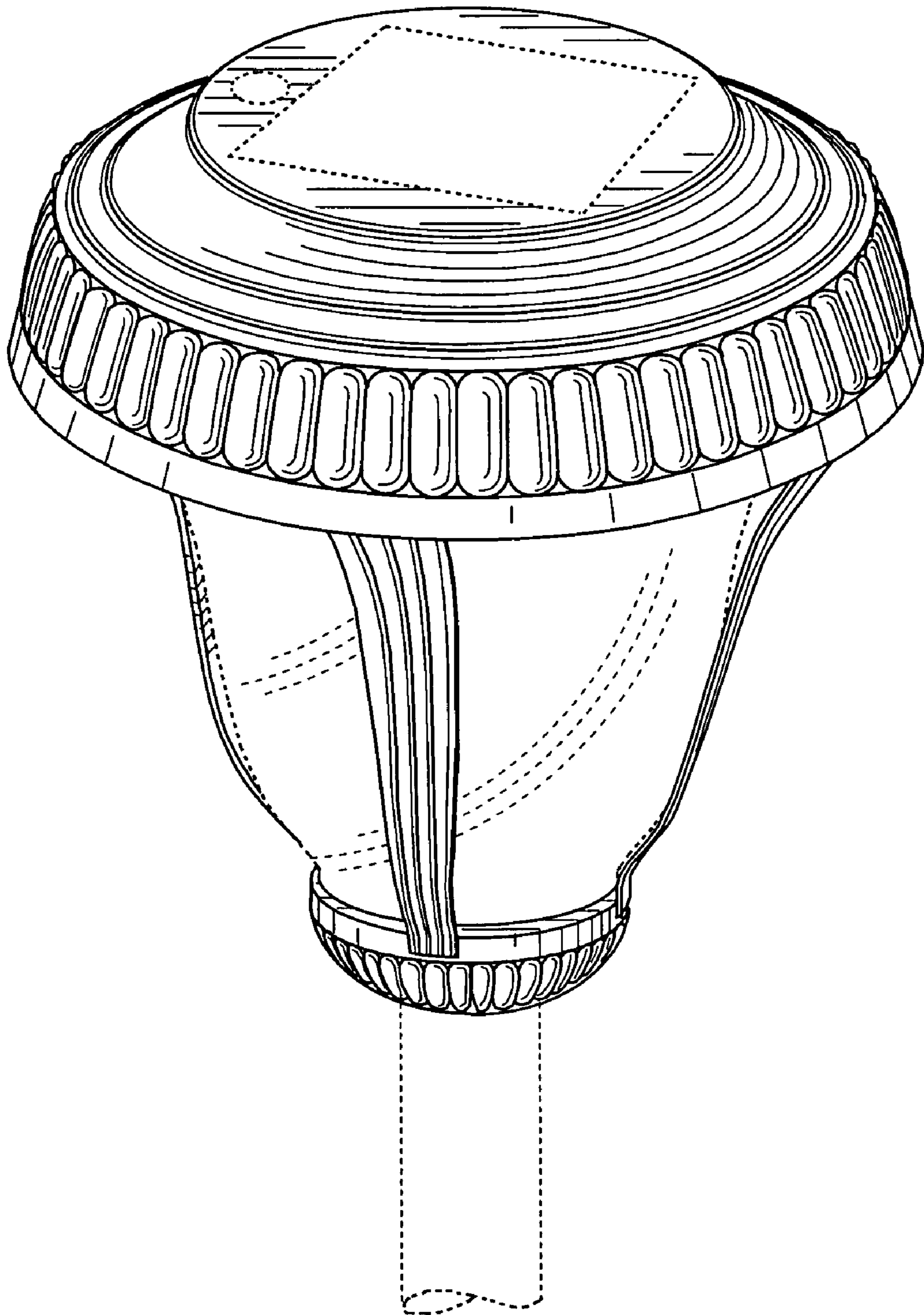


Fig. 1

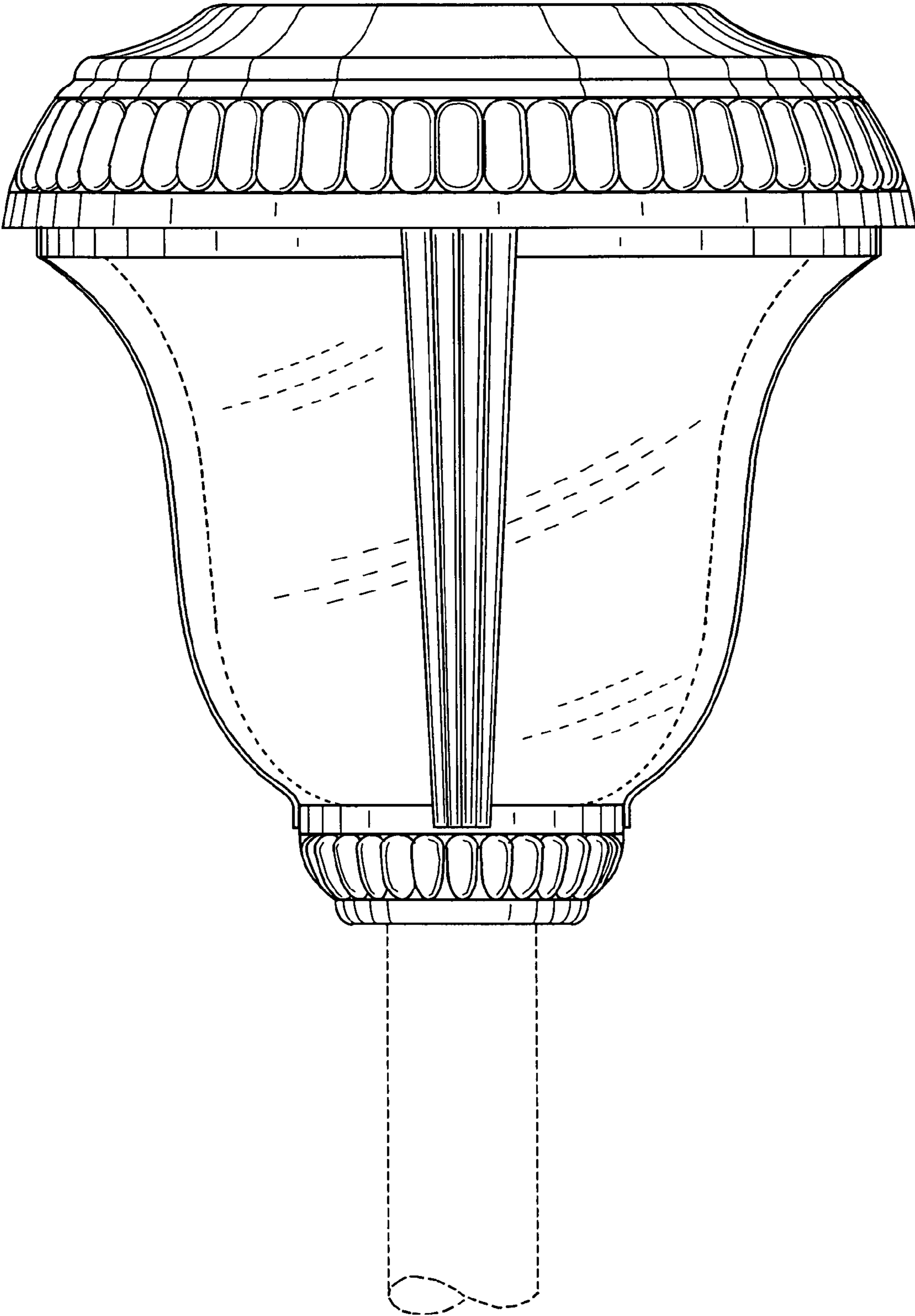


Fig. 2

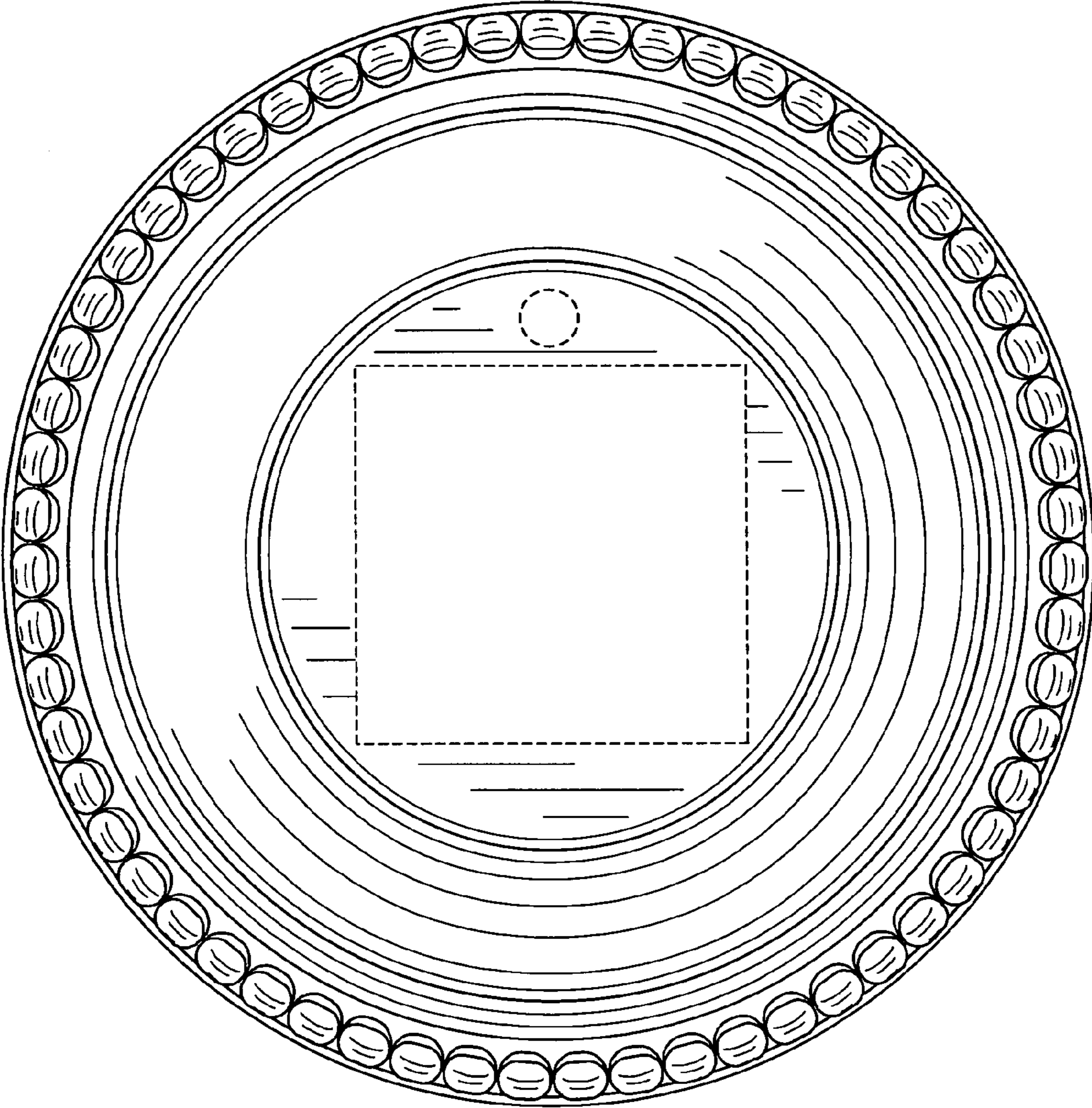


Fig. 3

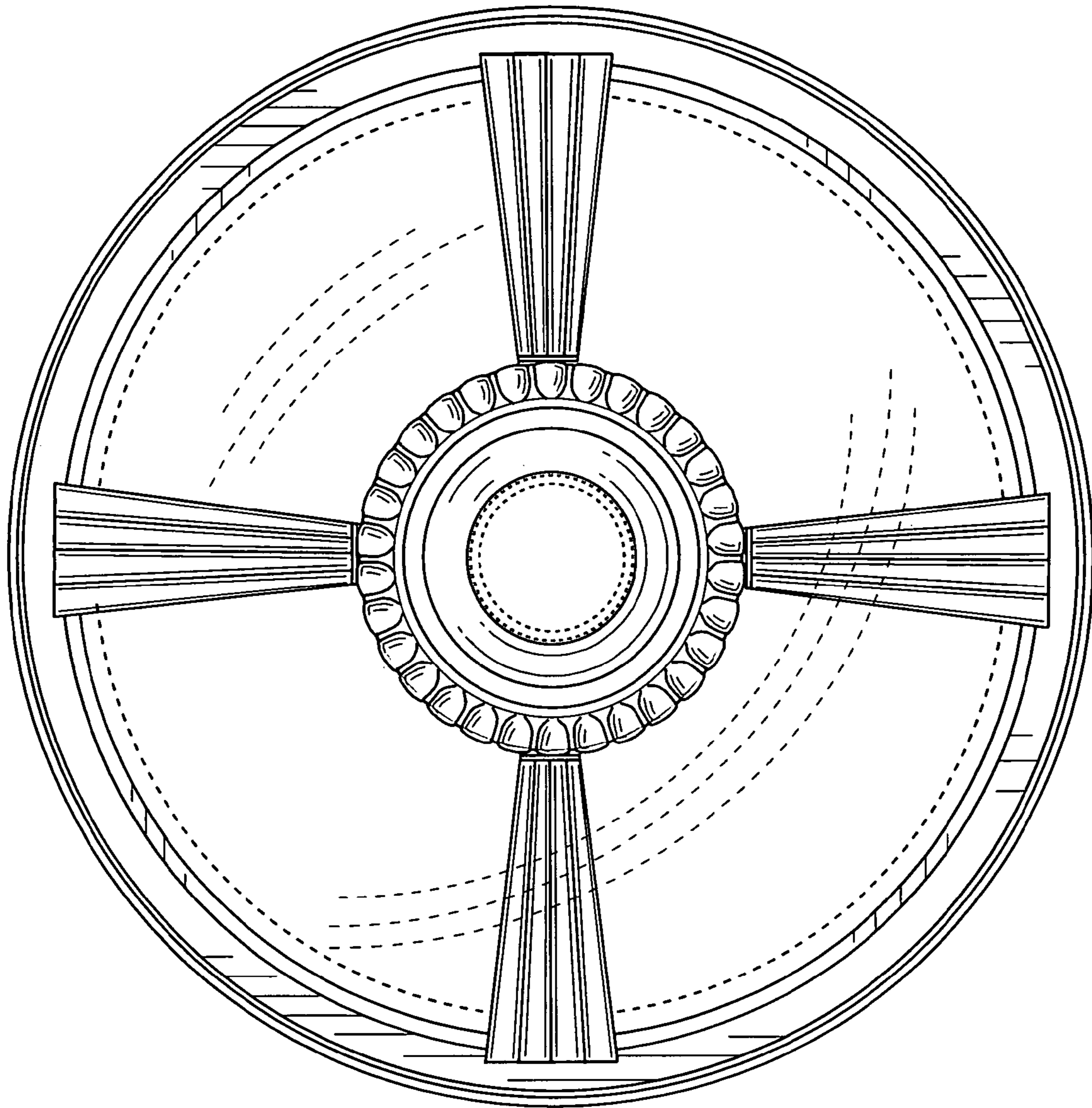


Fig. 4