



US00D557850S

(12) **United States Design Patent**
Chen

(10) **Patent No.:** **US D557,850 S**

(45) **Date of Patent:** **** Dec. 18, 2007**

(54) **SOLAR POWERED OUTDOOR LIGHT
FIXTURE**

(76) **Inventor:** **Chi Gon Chen**, c/o International
Development Corp., 899 Henrietta Dr.,
Roanoke, TX (US) 76262-6309

(**) **Term:** **14 Years**

(21) **Appl. No.:** **29/273,096**

(22) **Filed:** **Feb. 27, 2007**

(51) **LOC (8) Cl.** **26-05**

(52) **U.S. Cl.** **D26/67**

(58) **Field of Classification Search** D26/67-71,
D26/133-135; D22/123; 362/152, 183,
362/431

See application file for complete search history.

(56) **References Cited**

U.S. PATENT DOCUMENTS

D445,939 S * 7/2001 Pan D26/72
D476,768 S * 7/2003 Sooferian D26/67

D528,693 S * 9/2006 Chen D26/68
D548,870 S * 8/2007 Richmond D26/67
2003/0081406 A1 * 5/2003 Lin 362/96

* cited by examiner

Primary Examiner—Clare E Heflin

(57) **CLAIM**

I claim the ornamental design for a solar powered outdoor
light fixture, as shown and described.

DESCRIPTION

FIG. 1 is a perspective view;

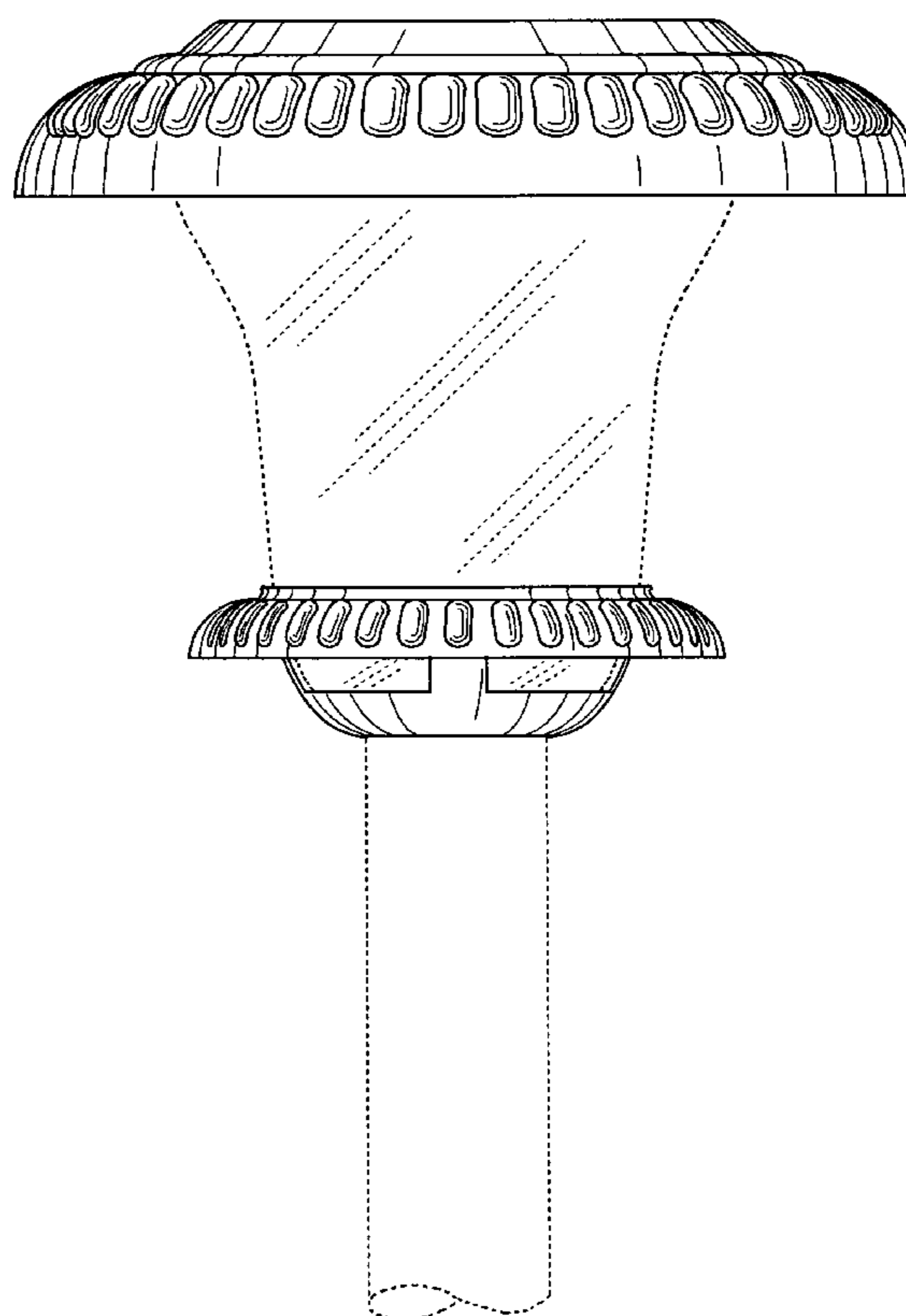
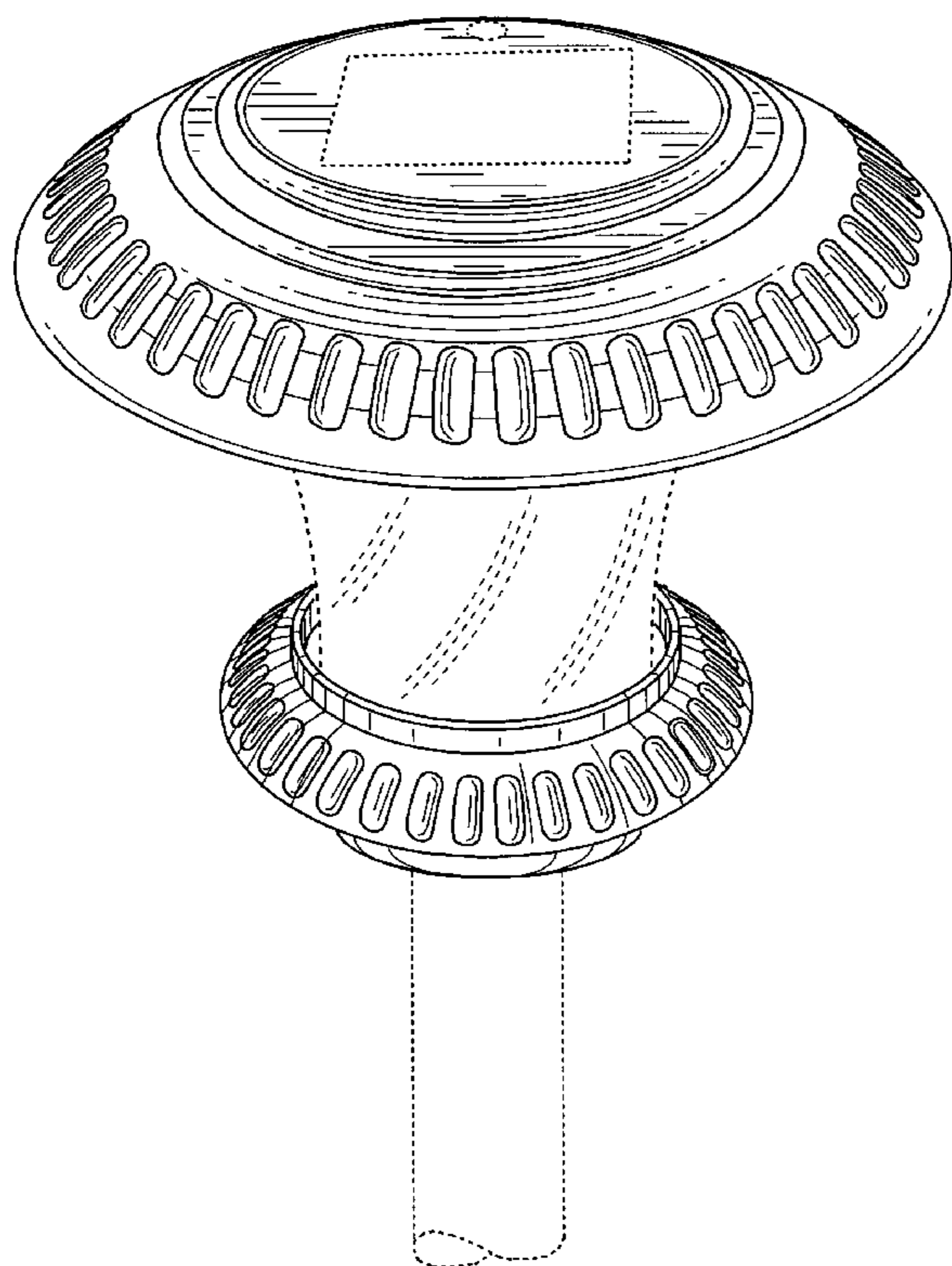
FIG. 2 is a top plan view;

FIG. 3 is a front elevational view; the rear elevational view,
the left side elevational view and the right side elevational
view being the same; and,

FIG. 4 is a bottom plan view.

The broken lines shown on the drawings are for illustrative
purposes only and form no part of the claimed design.

1 Claim, 4 Drawing Sheets



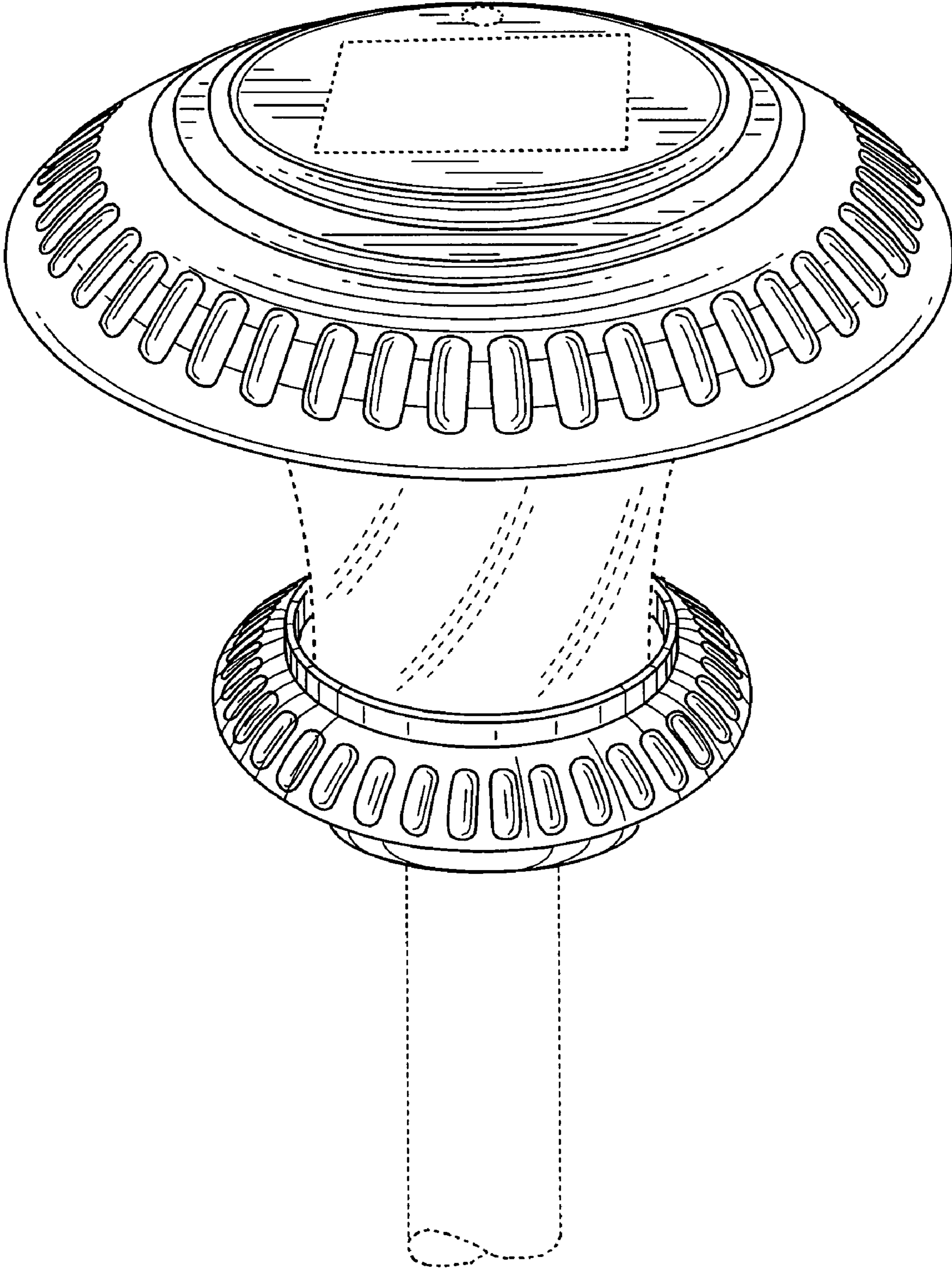


Fig. 1

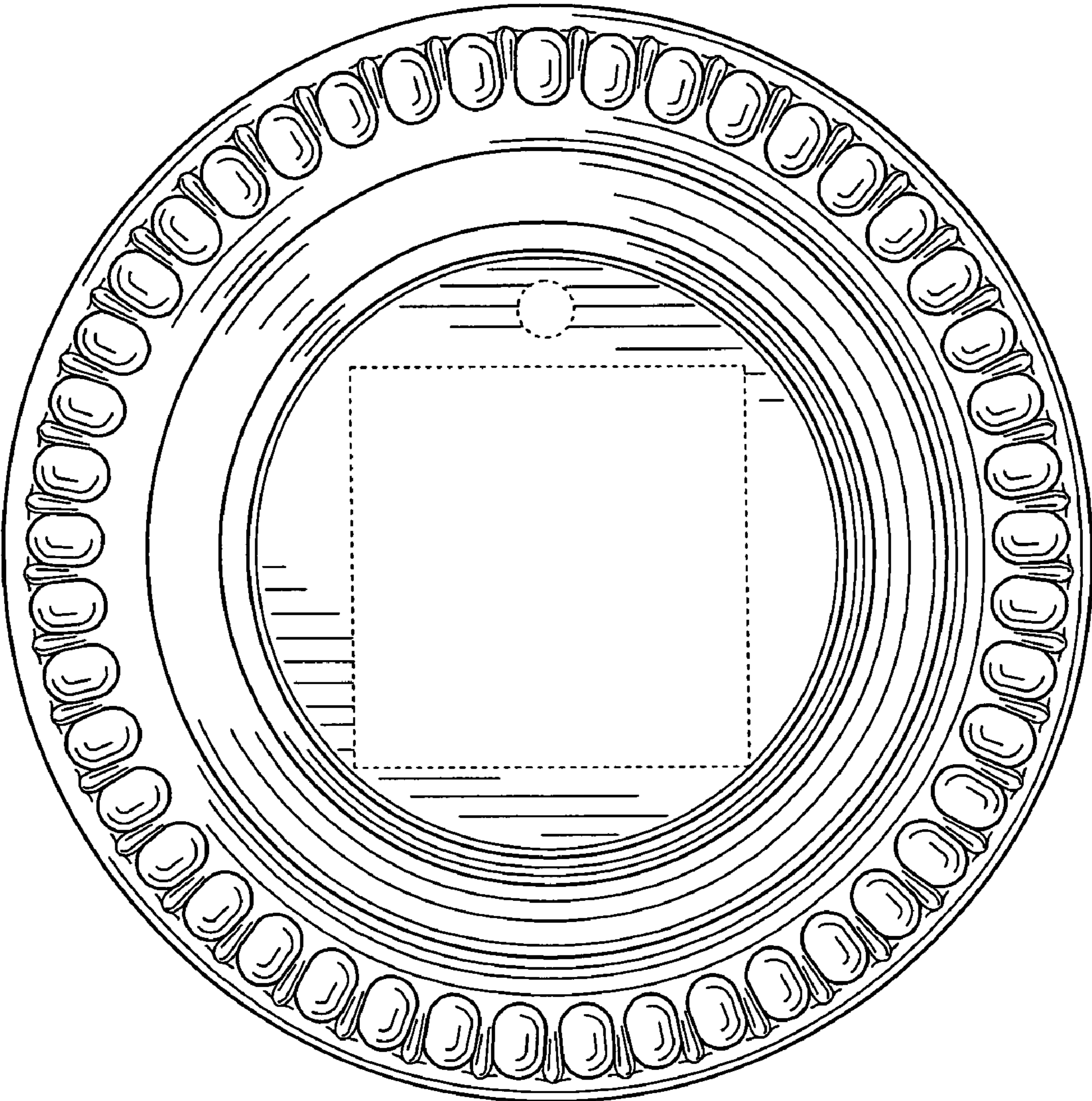


Fig. 2

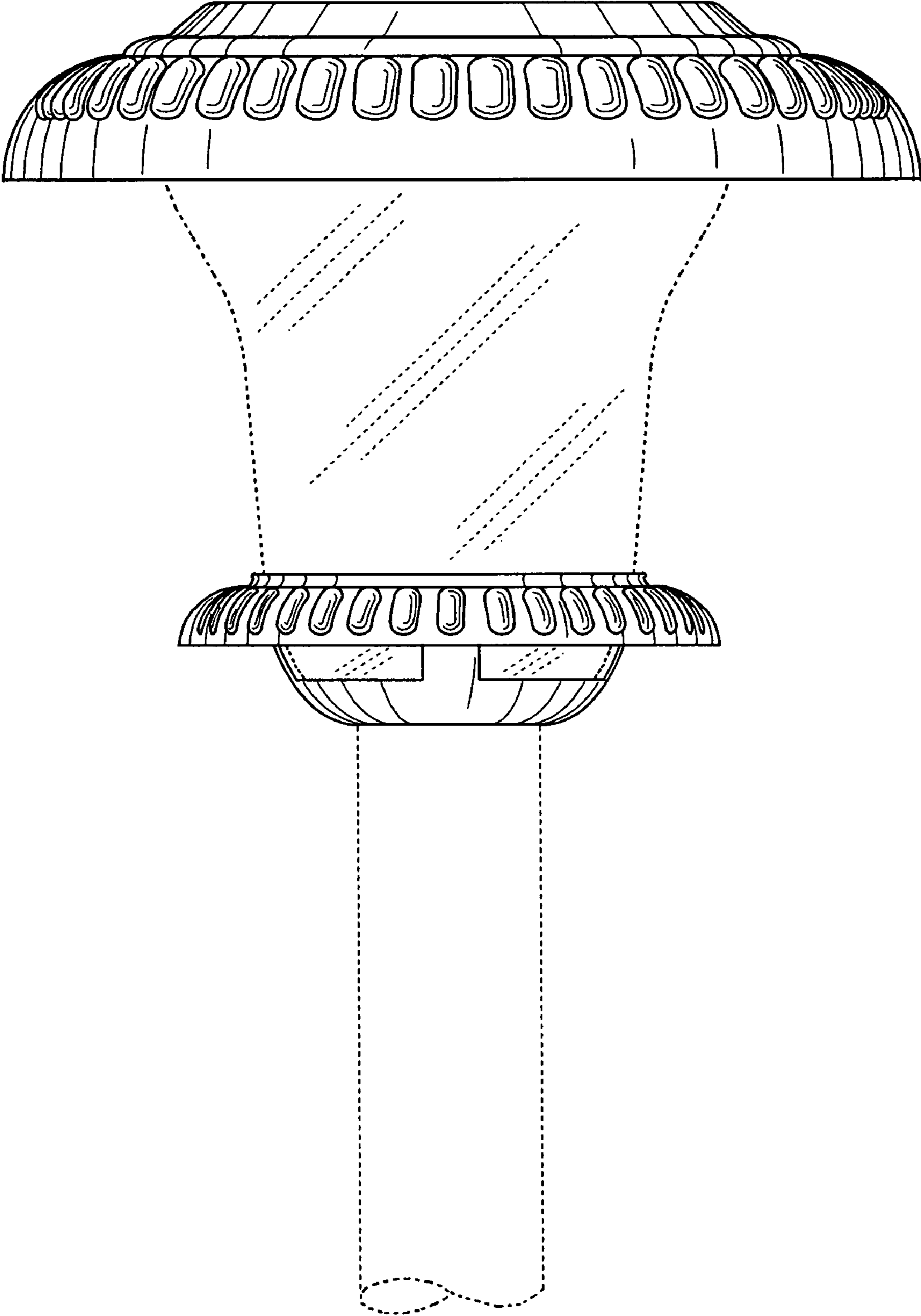


Fig. 3

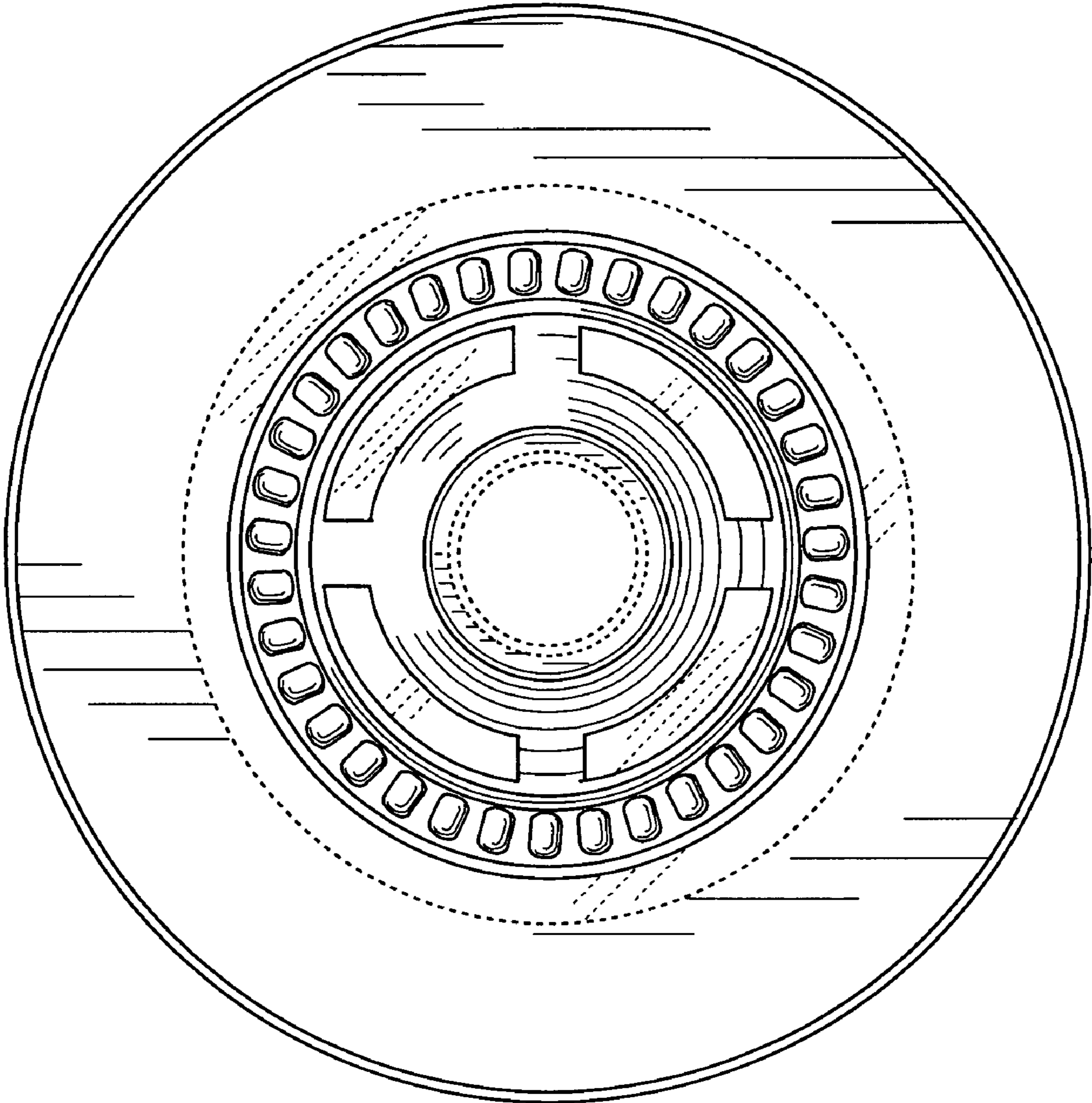


Fig. 4