



US00D557849S

(12) **United States Design Patent**  
**Chen**

(10) **Patent No.:** **US D557,849 S**

(45) **Date of Patent:** **\*\* Dec. 18, 2007**

(54) **HIGH INTENSITY OUTDOOR LIGHT  
FIXTURE**

D328,502 S \* 8/1992 Hartman ..... D26/68  
D427,351 S \* 6/2000 Landefeld ..... D26/67  
D538,377 S \* 3/2007 Chen ..... D22/123

(76) Inventor: **Chi Gon Chen**, c/o International  
Development Corp., 899 Henrietta Dr.,  
Roanoke, TX (US) 76262-8309

\* cited by examiner

*Primary Examiner*—Clare E Heflin

(\*\*) Term: **14 Years**

(57) **CLAIM**

(21) Appl. No.: **29/273,091**

I claim the ornamental design for a high intensity outdoor  
light fixture, as shown and described.

(22) Filed: **Feb. 27, 2007**

**DESCRIPTION**

(51) **LOC (8) Cl.** ..... **26-05**

(52) **U.S. Cl.** ..... **D26/67**

(58) **Field of Classification Search** ..... D26/67-71,  
D26/133-135; D22/123; 362/152, 183,  
362/431

See application file for complete search history.

FIG. 1 is a top plan view;  
FIG. 2 is a left side elevational view;  
FIG. 3 is a front elevational view;  
FIG. 4 is a right side elevational view;  
FIG. 5 is a rear elevational view; and,  
FIG. 6 is a bottom plan view.

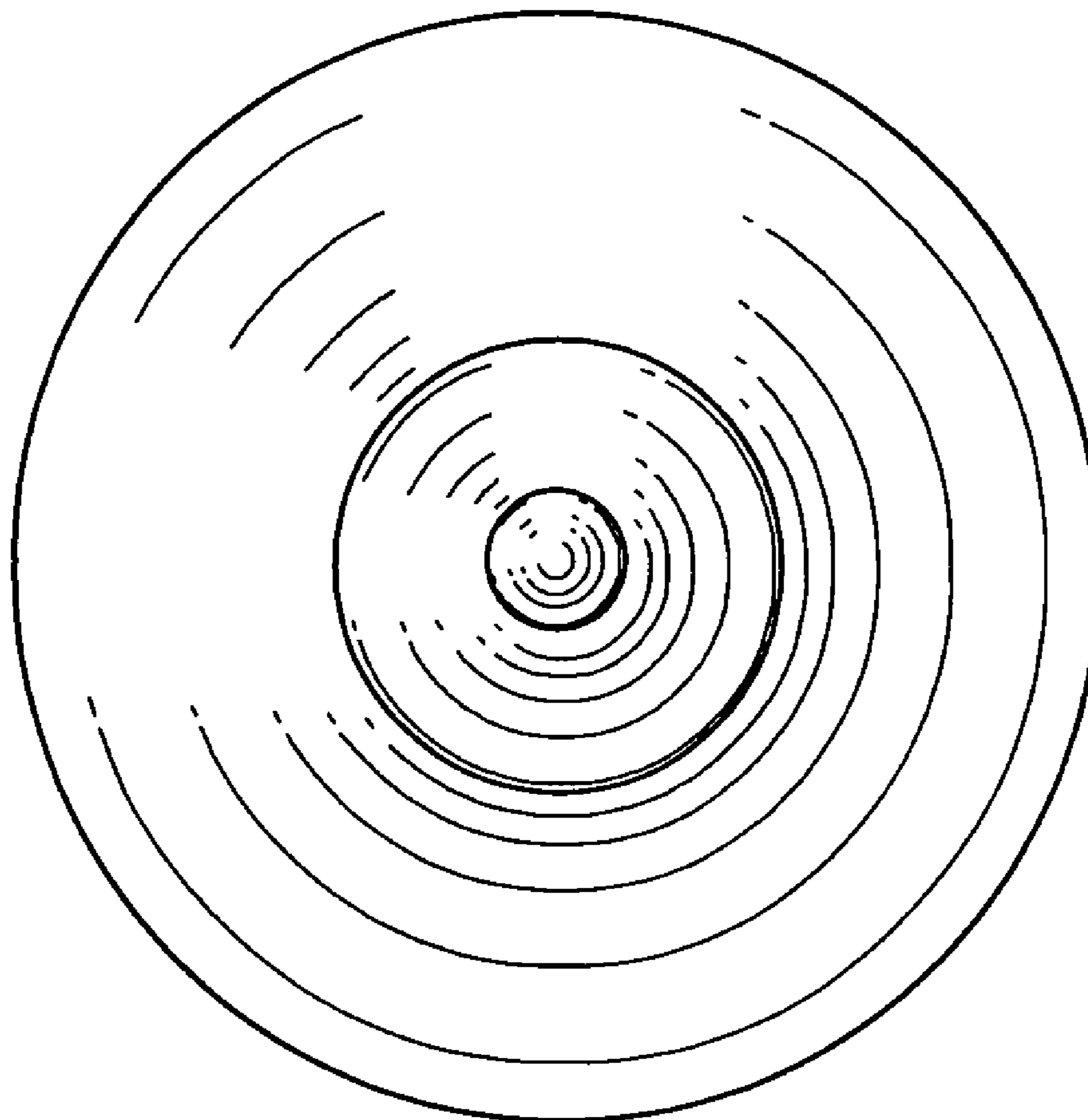
(56) **References Cited**

**U.S. PATENT DOCUMENTS**

D97,423 S \* 11/1935 Werring ..... D26/67  
D174,139 S \* 3/1955 Sadler ..... D30/128  
D195,990 S \* 8/1963 Pettengill ..... D26/67

The broken lines shown on the drawings are for illustrative  
purposes only and form no part of the claimed design.

**1 Claim, 2 Drawing Sheets**



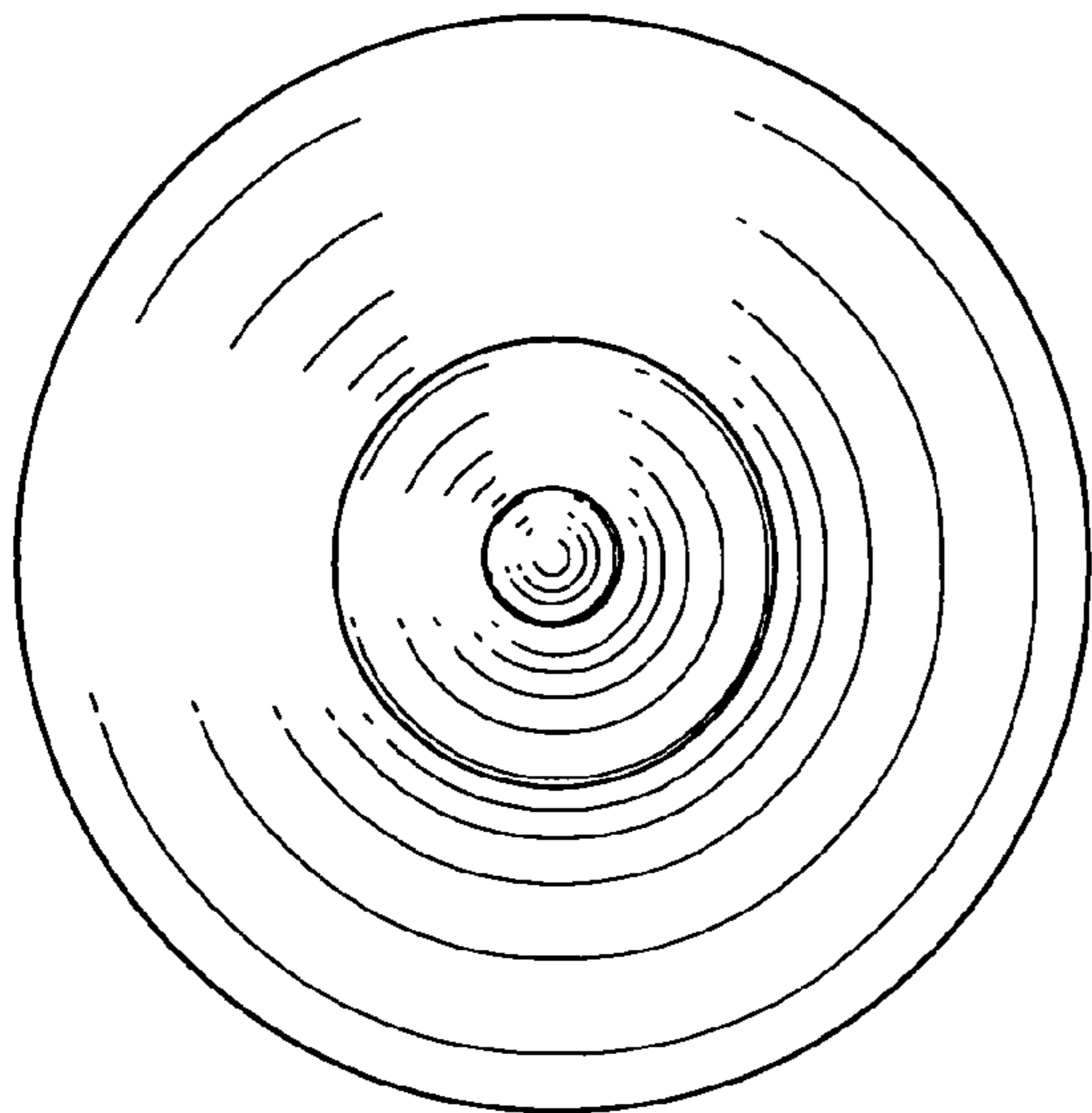


Fig. 1

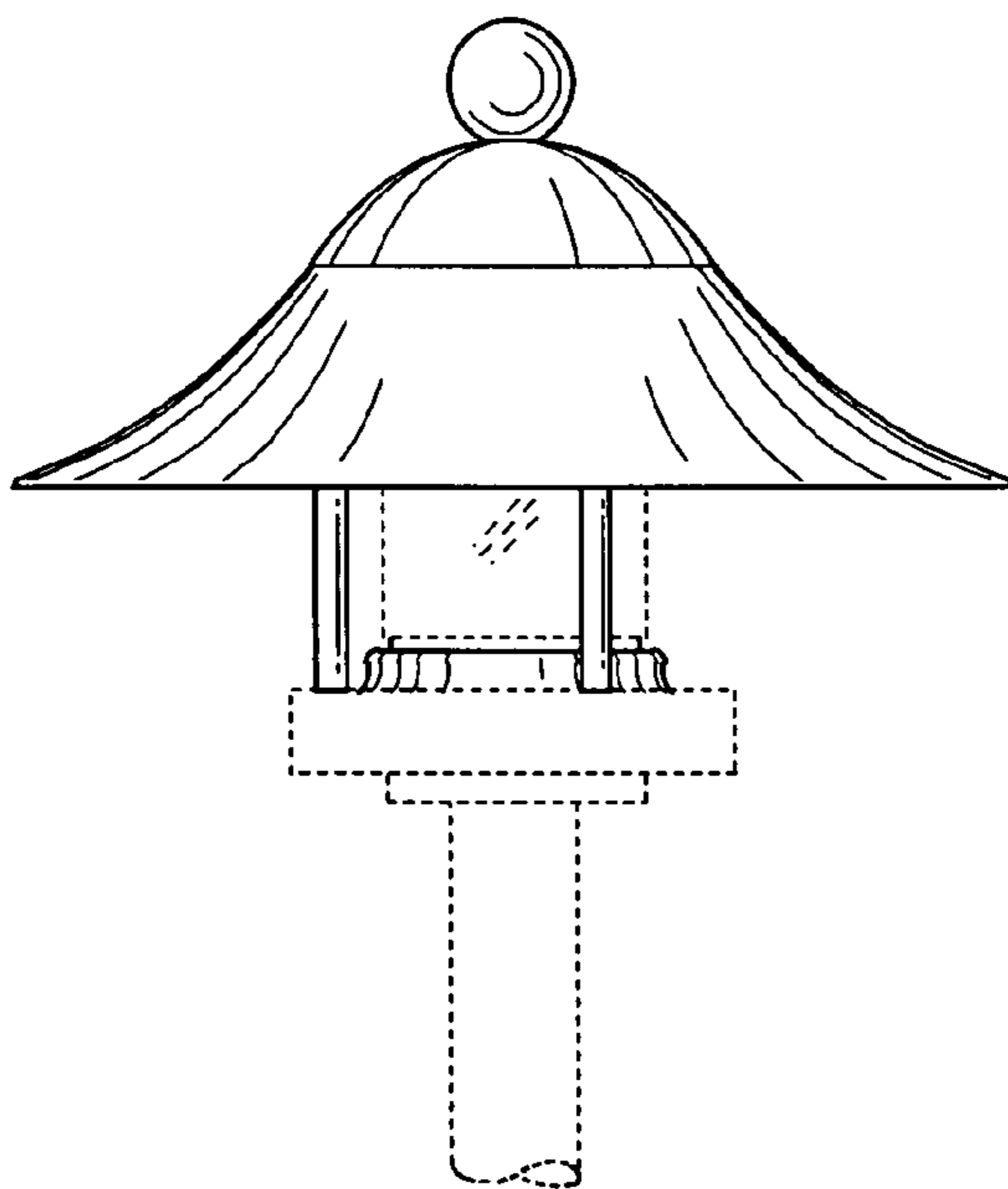


Fig. 2

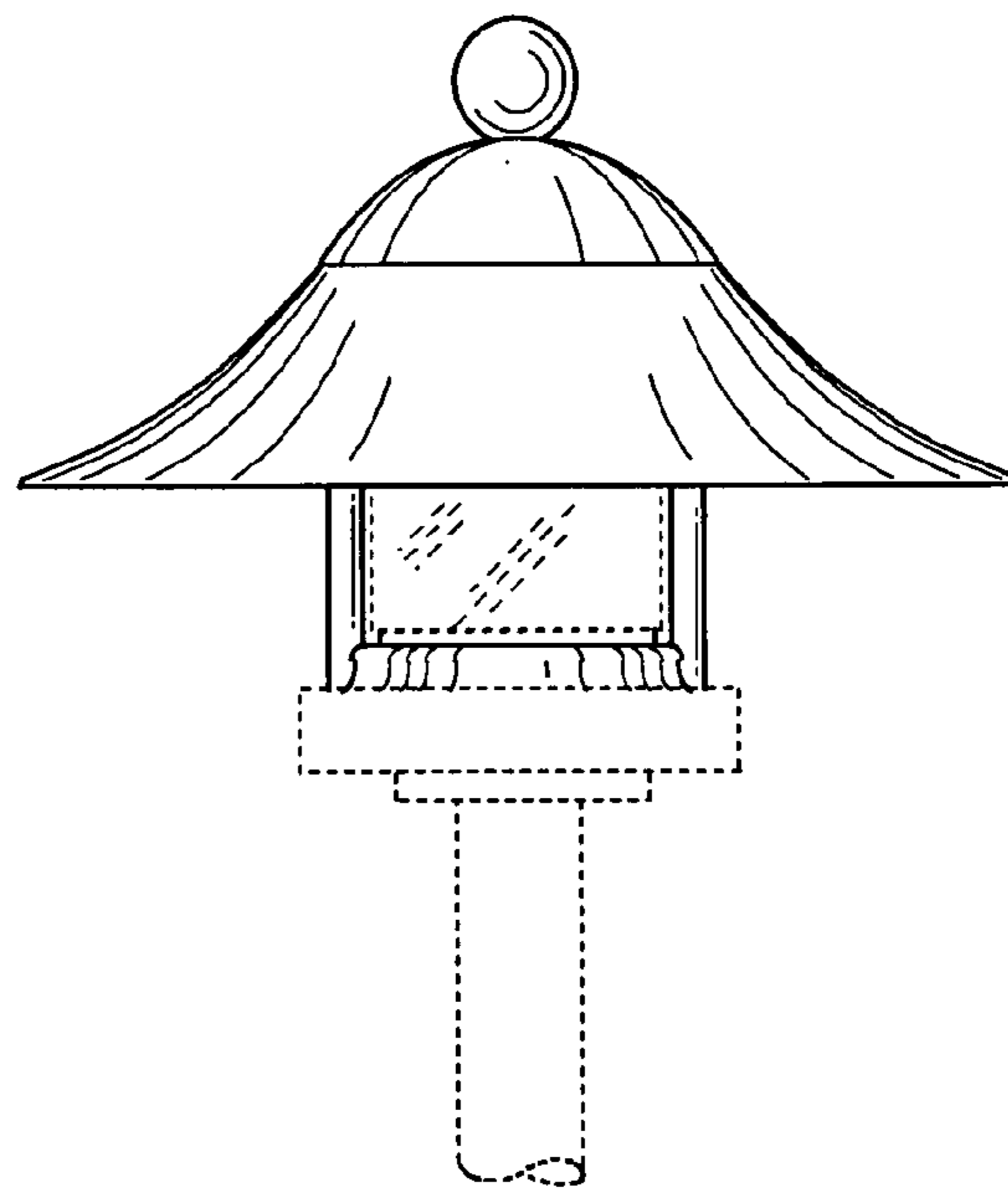
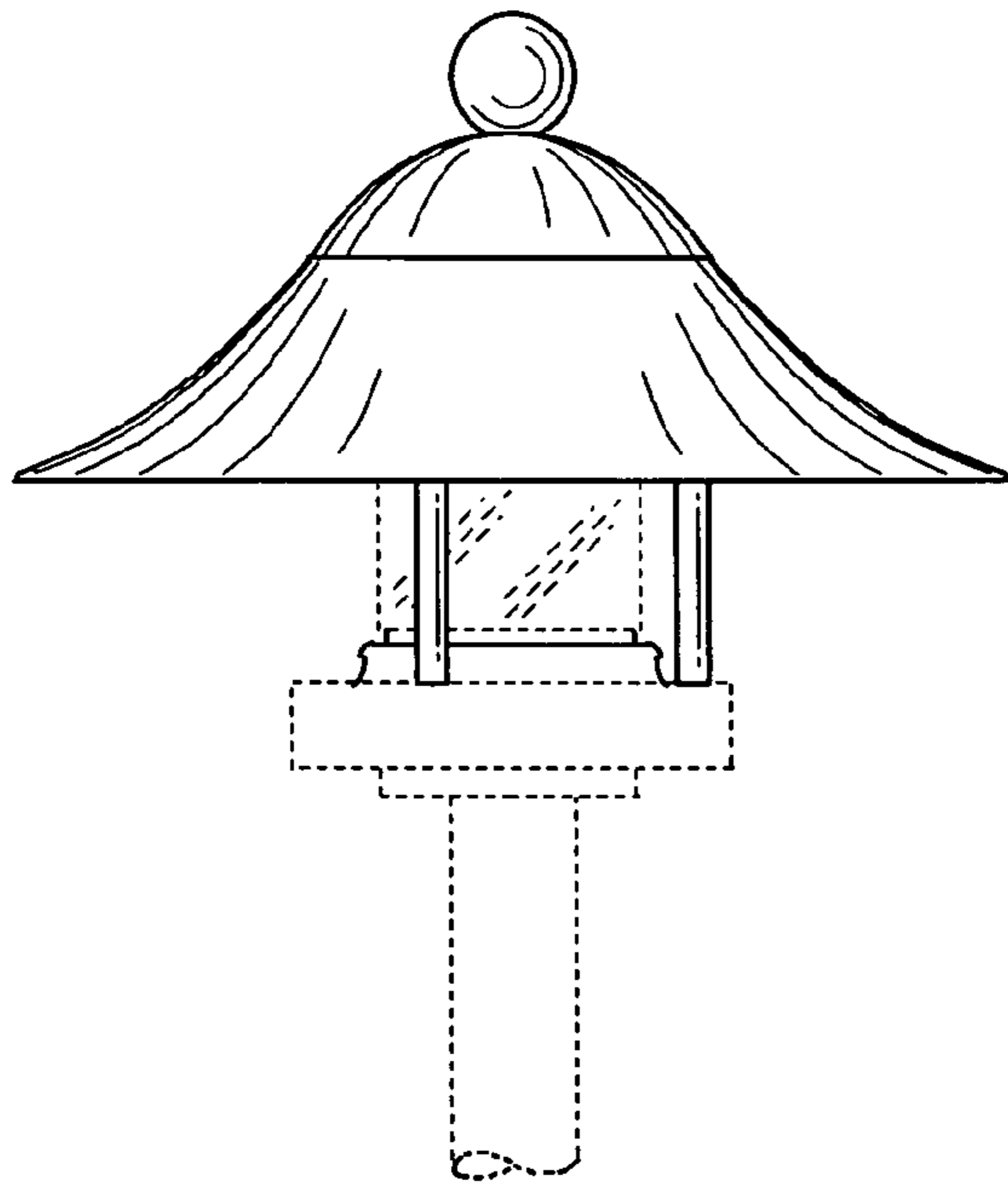
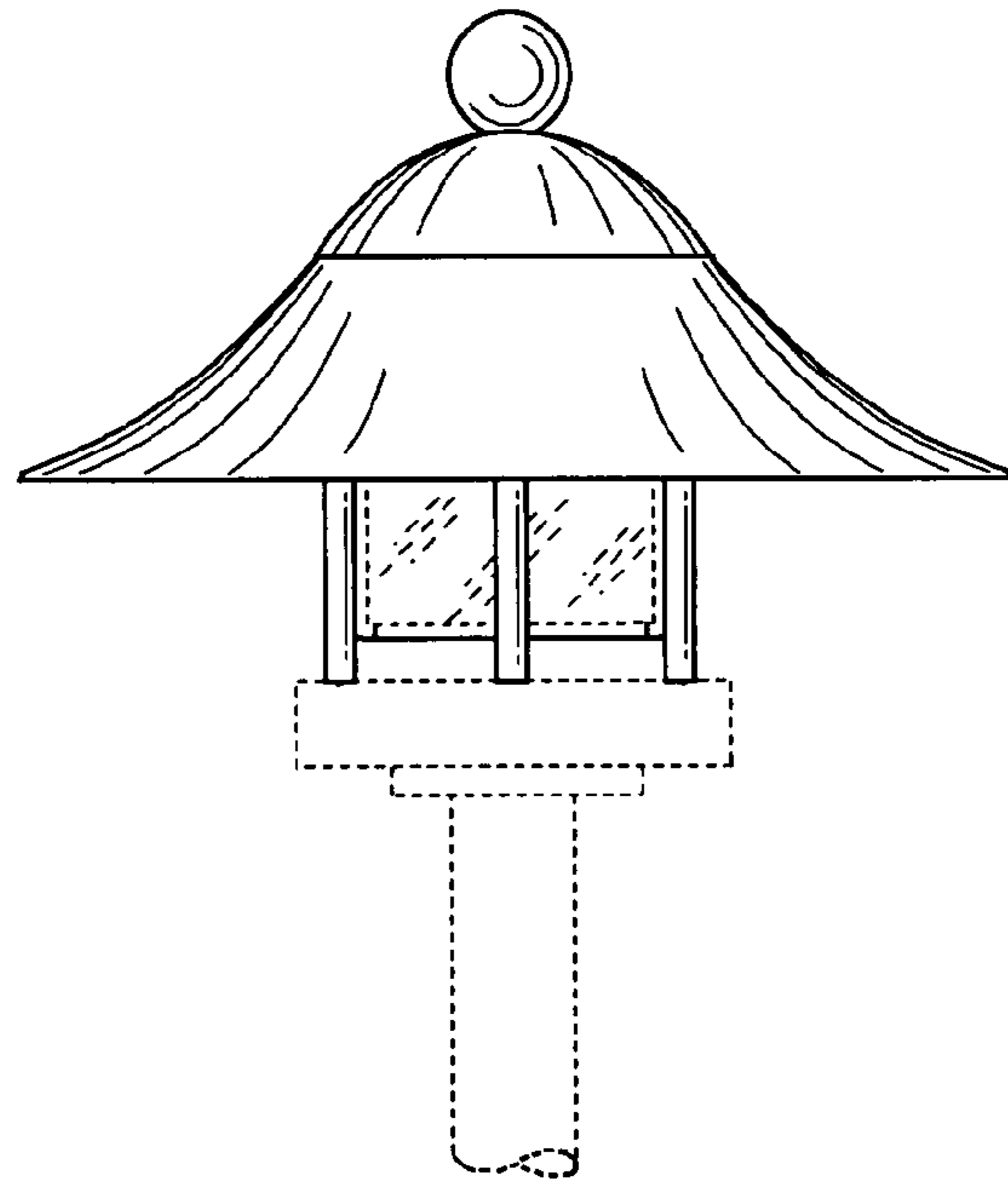


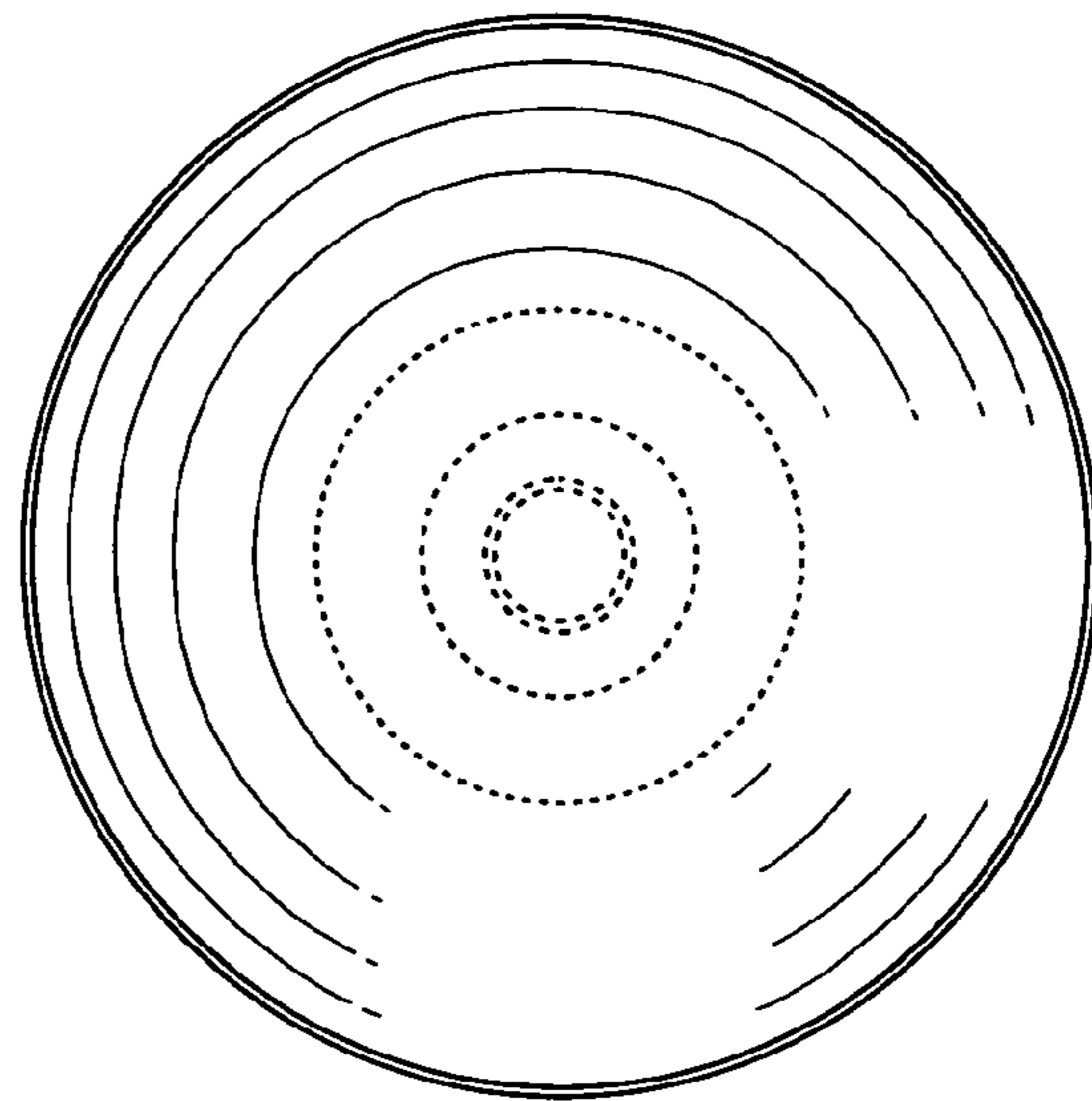
Fig. 3



*Fig. 4*



*Fig. 5*



*Fig. 6*