



US00D557848S

(12) **United States Design Patent**
Chen

(10) **Patent No.:** **US D557,848 S**

(45) **Date of Patent:** **** Dec. 18, 2007**

(54) **HIGH INTENSITY OUTDOOR LIGHT
FIXTURE**

D191,128 S * 8/1961 Curtin et al D26/67
D456,547 S * 4/2002 Leen D26/67
D487,526 S * 3/2004 Hsu D26/67
D488,577 S * 4/2004 Hsu D26/67

(76) Inventor: **Chi Gon Chen**, c/o International
Development Corp., 899 Henrietta Dr.,
Roanoke, TX (US) 76262-6309

* cited by examiner

Primary Examiner—Clare E Heflin

(**) Term: **14 Years**

(57) **CLAIM**

(21) Appl. No.: **29/273,090**

I claim the ornamental design for a high intensity outdoor
light fixture, as shown and described.

(22) Filed: **Feb. 27, 2007**

(51) **LOC (8) Cl.** **26-05**

(52) **U.S. Cl.** **D26/67**

(58) **Field of Classification Search** D26/67-71,
D26/133-135; D22/123; 362/152, 183,
362/431

See application file for complete search history.

DESCRIPTION

FIG. 1 is a front elevational view; the rear elevational view,
the left side elevational view and the right side elevational
views being the same;

FIG. 2 is a top plan view; and,

FIG. 3 is a bottom plan view.

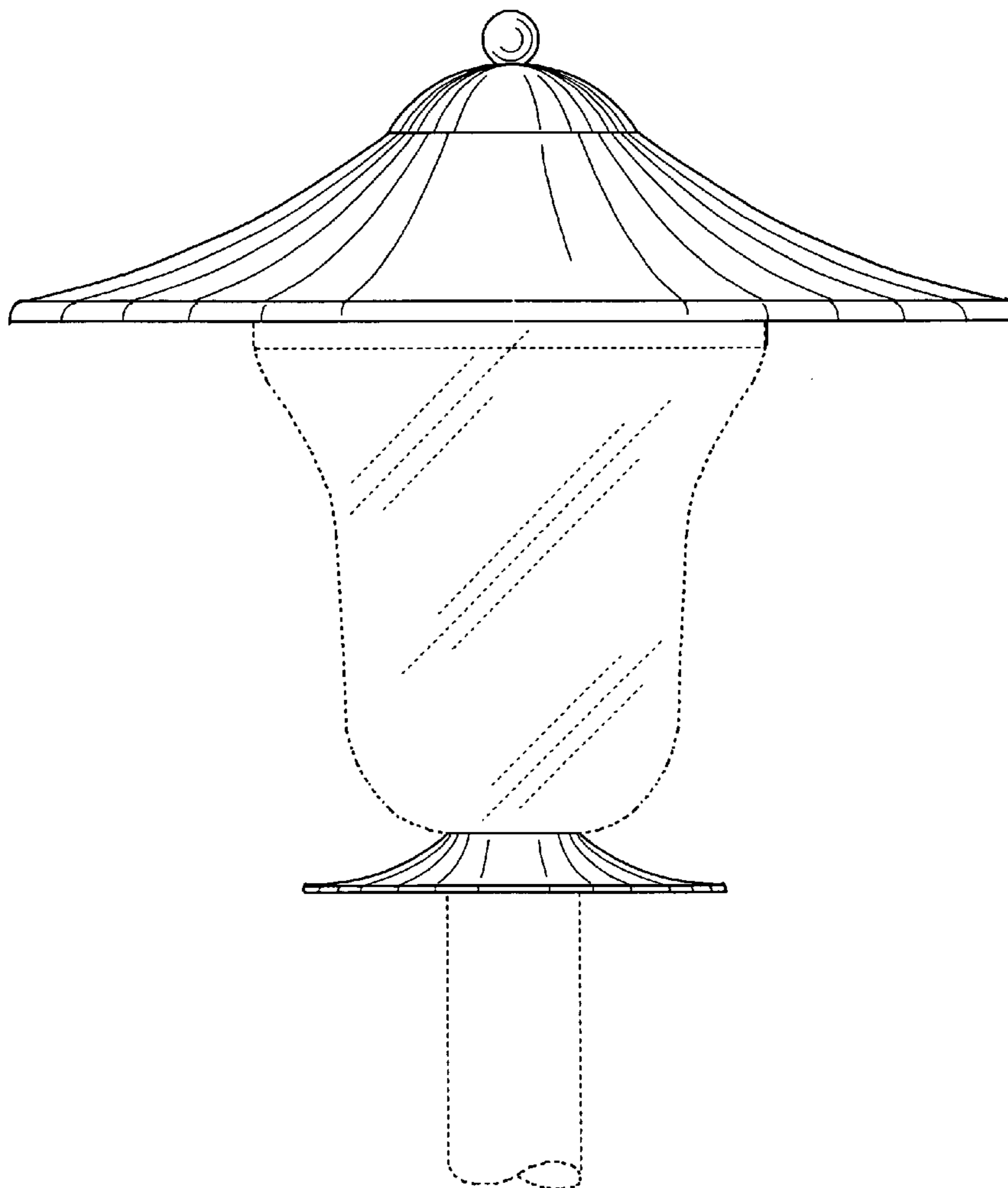
The broken lines shown on the drawings are for illustrative
purposes only and form no part of the claimed design.

(56) **References Cited**

U.S. PATENT DOCUMENTS

D174,139 S * 3/1955 Sadler D26/68

1 Claim, 3 Drawing Sheets



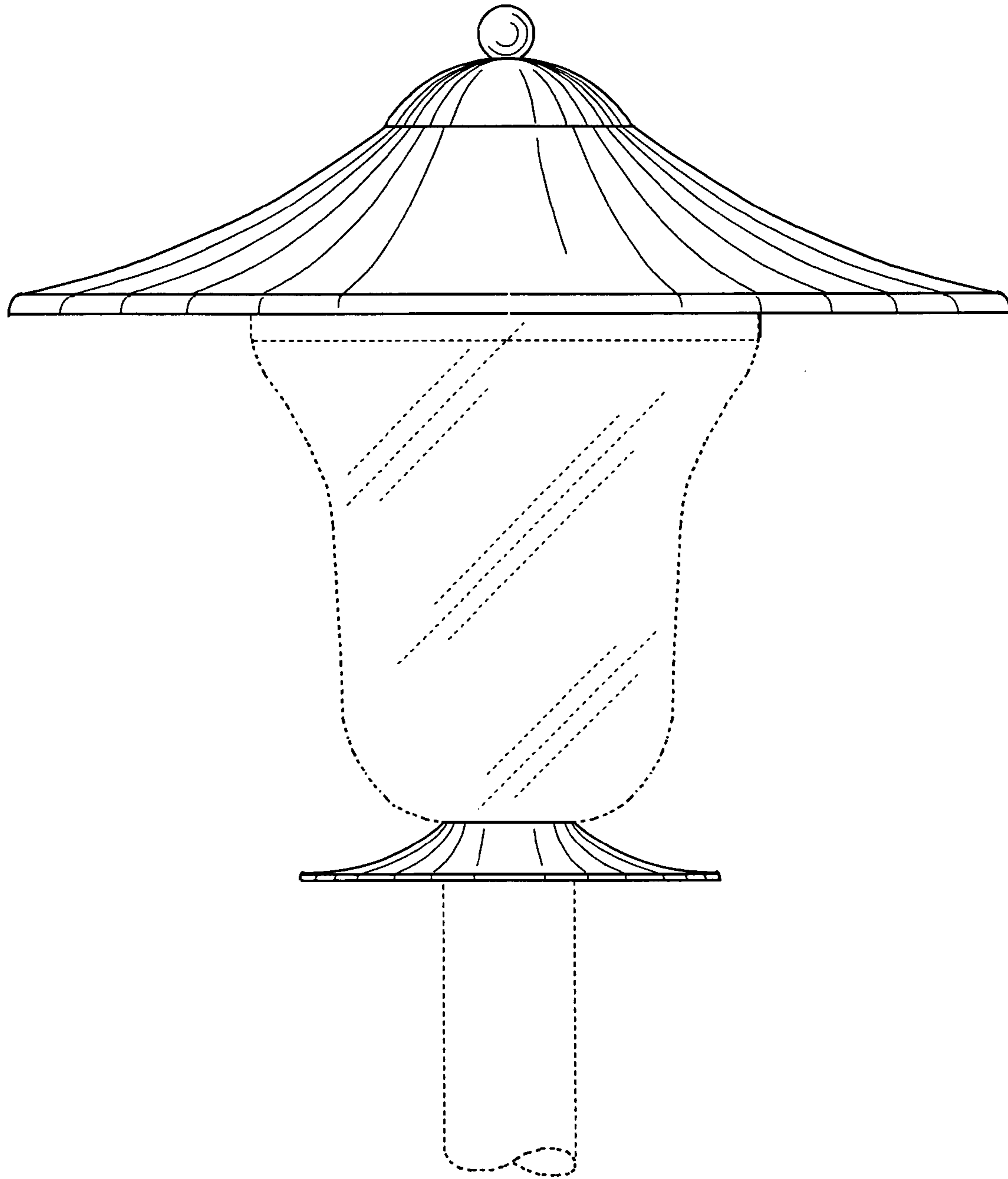


Fig. 1

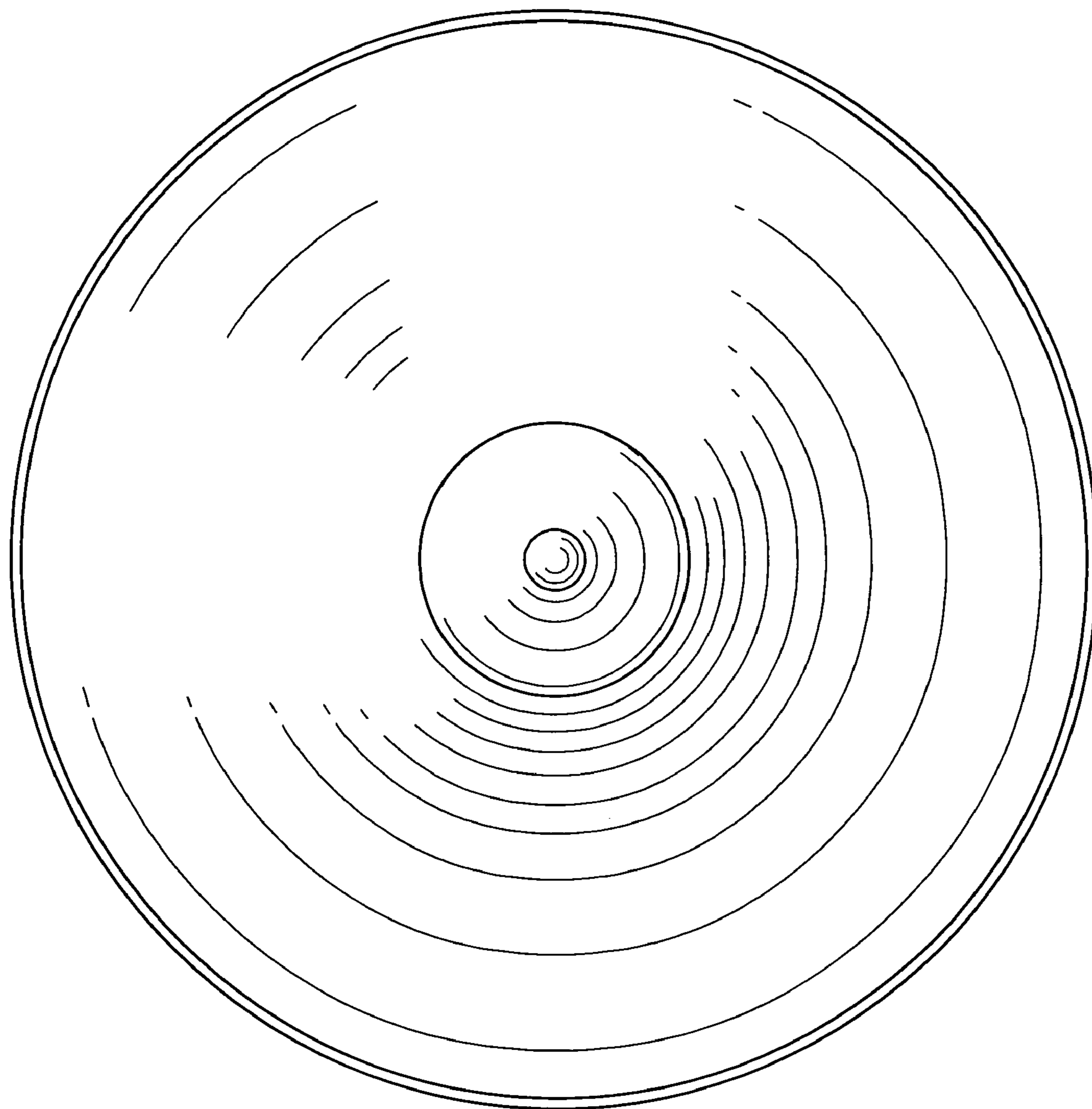


Fig. 2



Fig. 3