



US00D557843S

(12) **United States Design Patent**
Hillard

(10) **Patent No.:** **US D557,843 S**

(45) **Date of Patent:** **** Dec. 18, 2007**

(54) **HEADLAMP**

D542,450 S * 5/2007 Shiu D26/60

(75) Inventor: **Jake L. Hillard**, Wichita, KS (US)

* cited by examiner

(73) Assignee: **The Coleman Company, Inc.**, Wichita, KS (US)

Primary Examiner—Marcus A. Jackson

(74) *Attorney, Agent, or Firm*—Leydig, Voit & Mayer, Ltd.

(**) Term: **14 Years**

(57) **CLAIM**

(21) Appl. No.: **29/278,089**

The ornamental design for a headlamp, as shown and described.

(22) Filed: **Mar. 19, 2007**

DESCRIPTION

(51) **LOC (8) Cl.** **26-02**

FIG. 1 is a side perspective view of my new headlamp;

(52) **U.S. Cl.** **D26/39**

FIG. 2 is a front elevation view thereof;

(58) **Field of Classification Search** D26/37-50;
362/157, 158, 171-174, 183-208

FIG. 3 is a rear elevation view thereof;

See application file for complete search history.

FIG. 4 is a right side elevation view thereof;

FIG. 5 is a left side elevation view thereof;

(56) **References Cited**

U.S. PATENT DOCUMENTS

- D482,811 S * 11/2003 Petzl D26/39
- D528,239 S * 9/2006 Petzl D26/39
- D532,538 S * 11/2006 Yuen D26/39
- D536,115 S * 1/2007 Shiu D26/39

FIG. 6 is a top plan view thereof; and,

FIG. 7 is a bottom plan view thereof.

The broken line showing is for illustrative purposes only and forms no part of the claimed design.

1 Claim, 2 Drawing Sheets

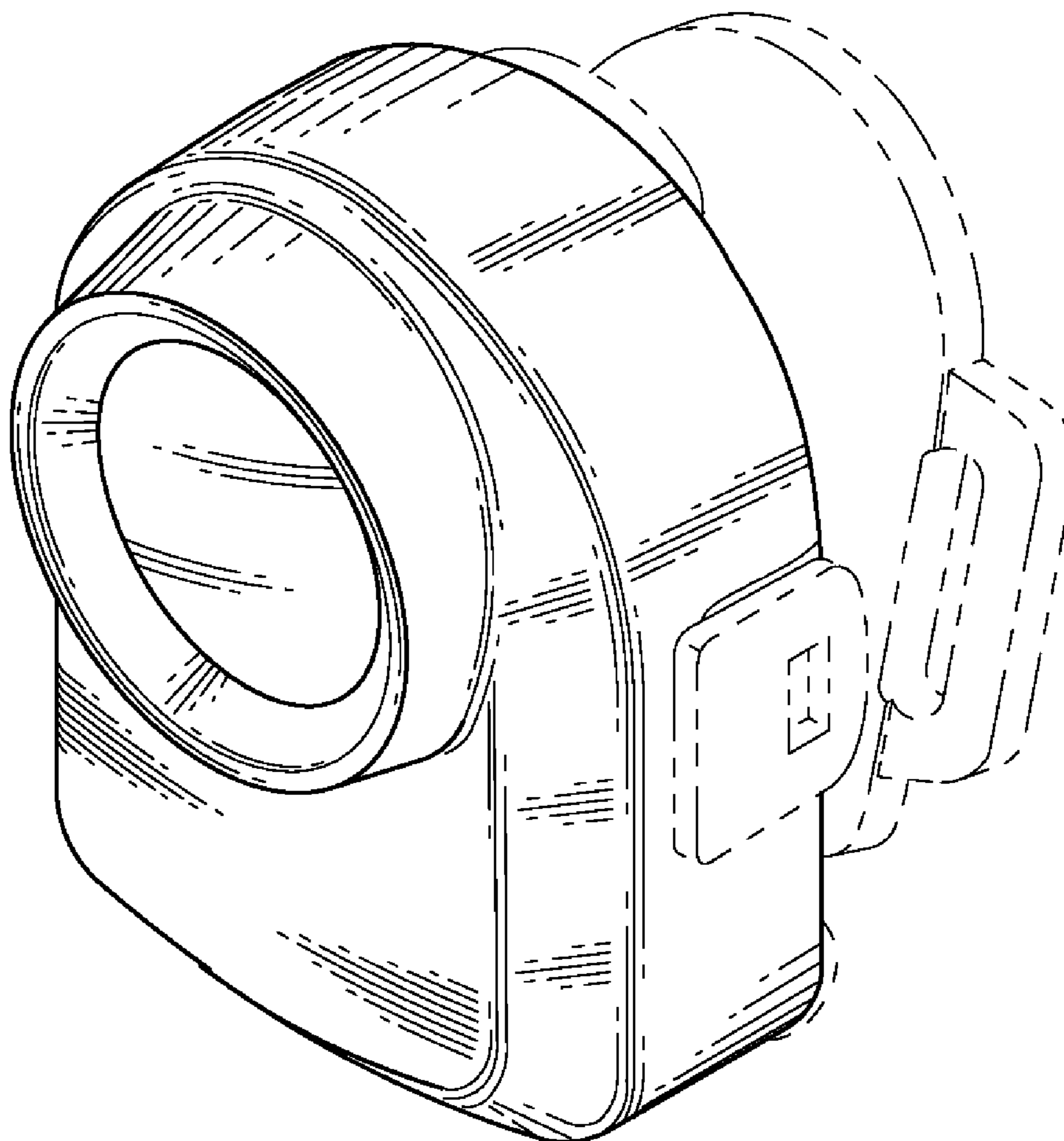


FIG. 1

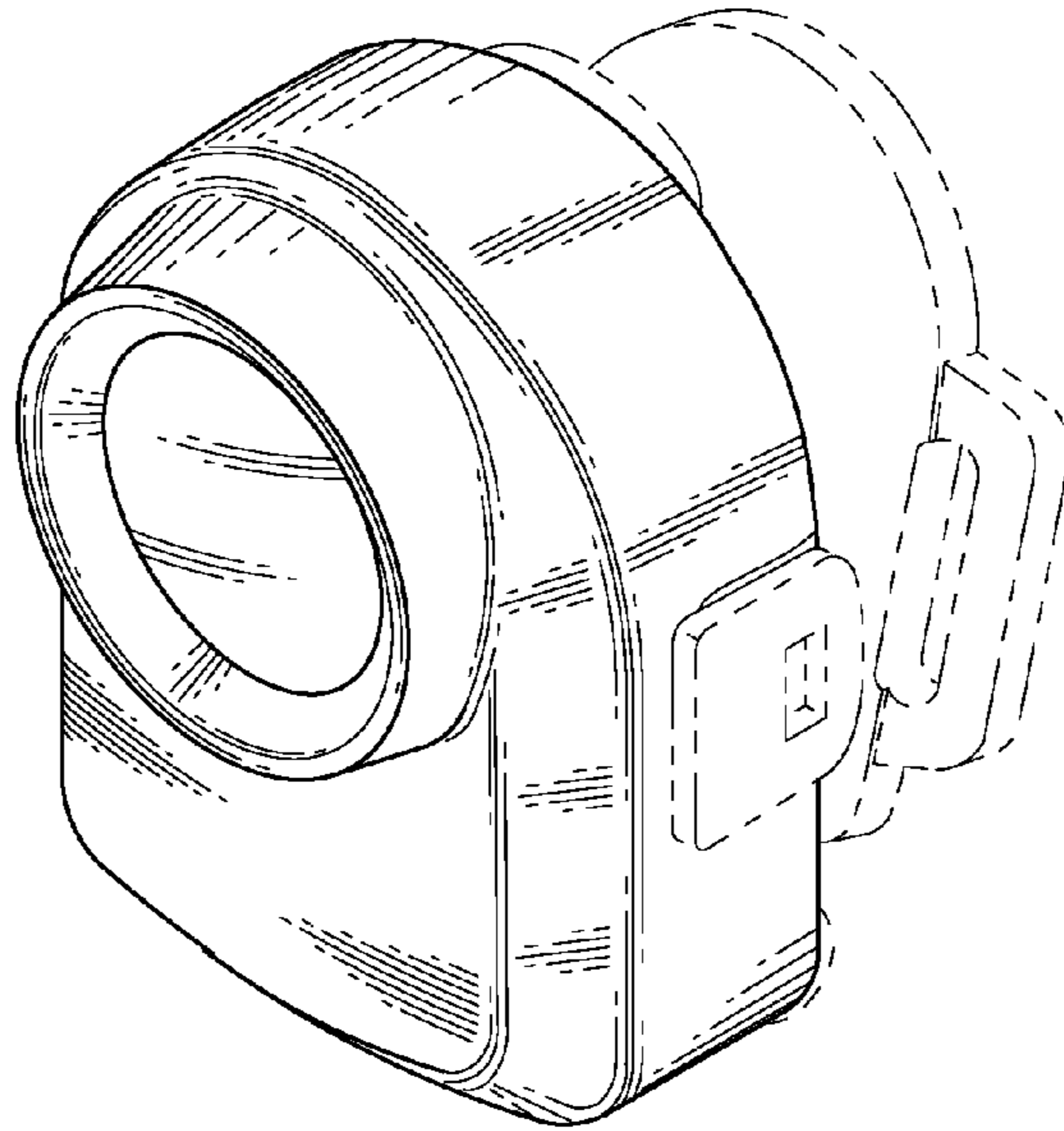


FIG. 2

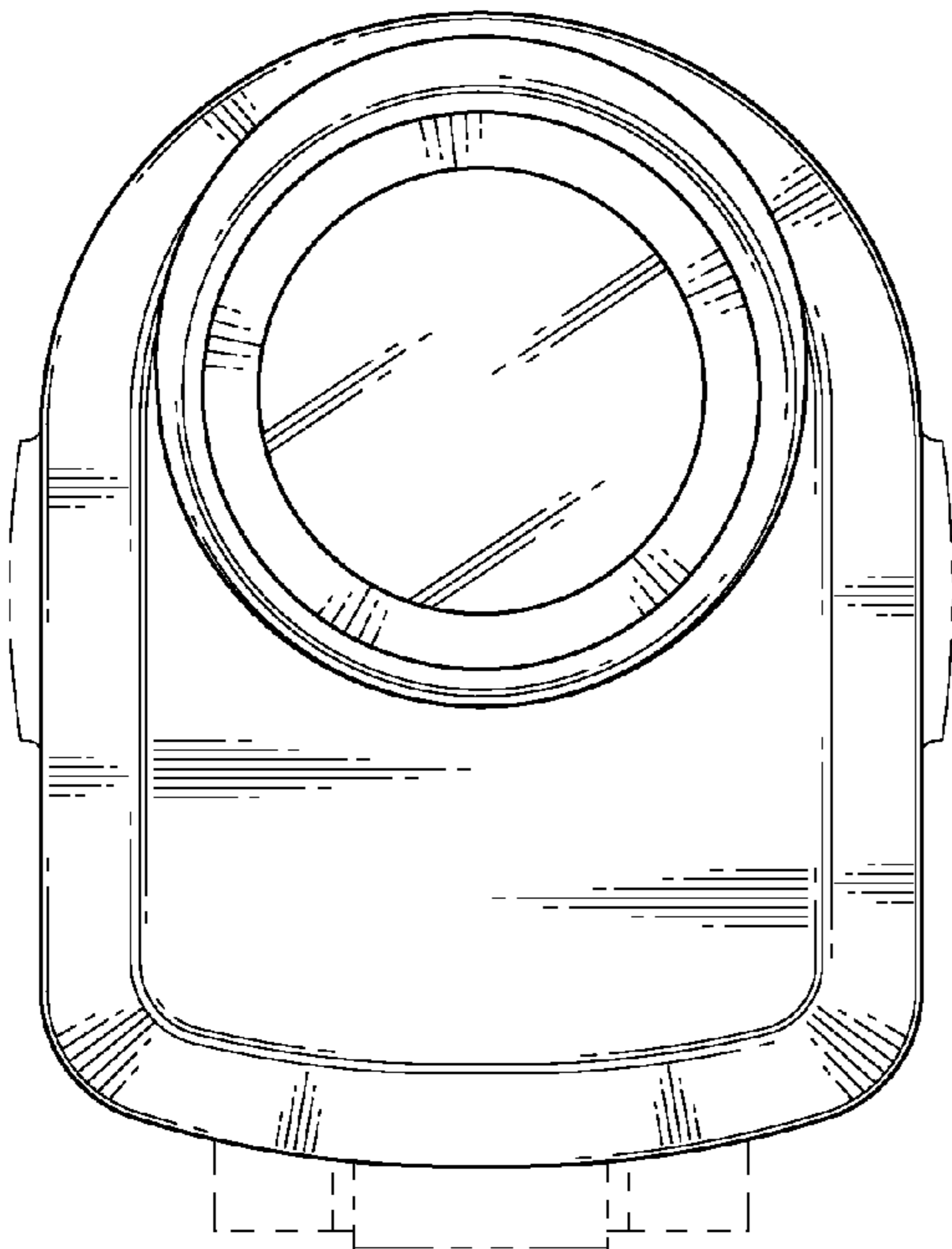


FIG. 3

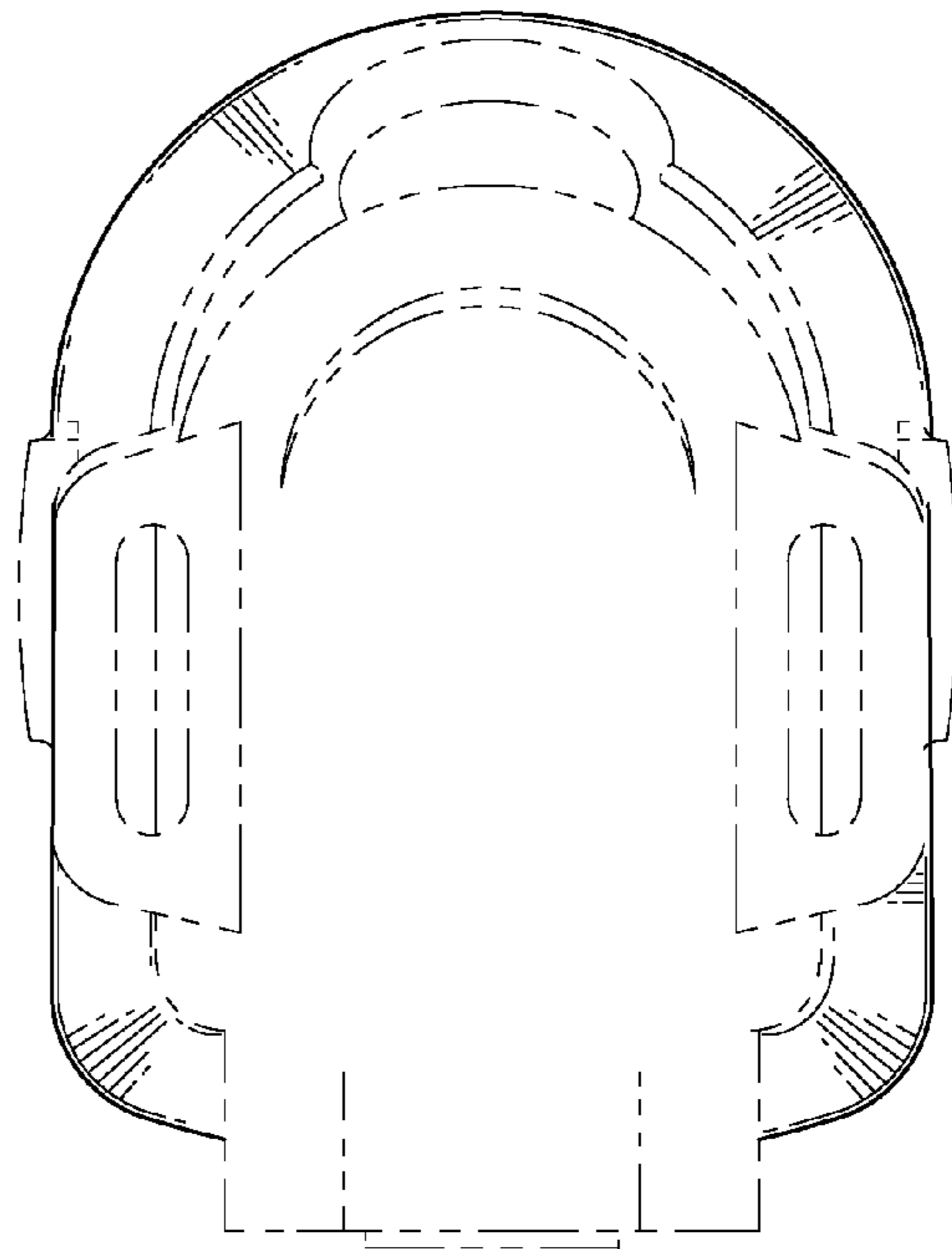


FIG. 4

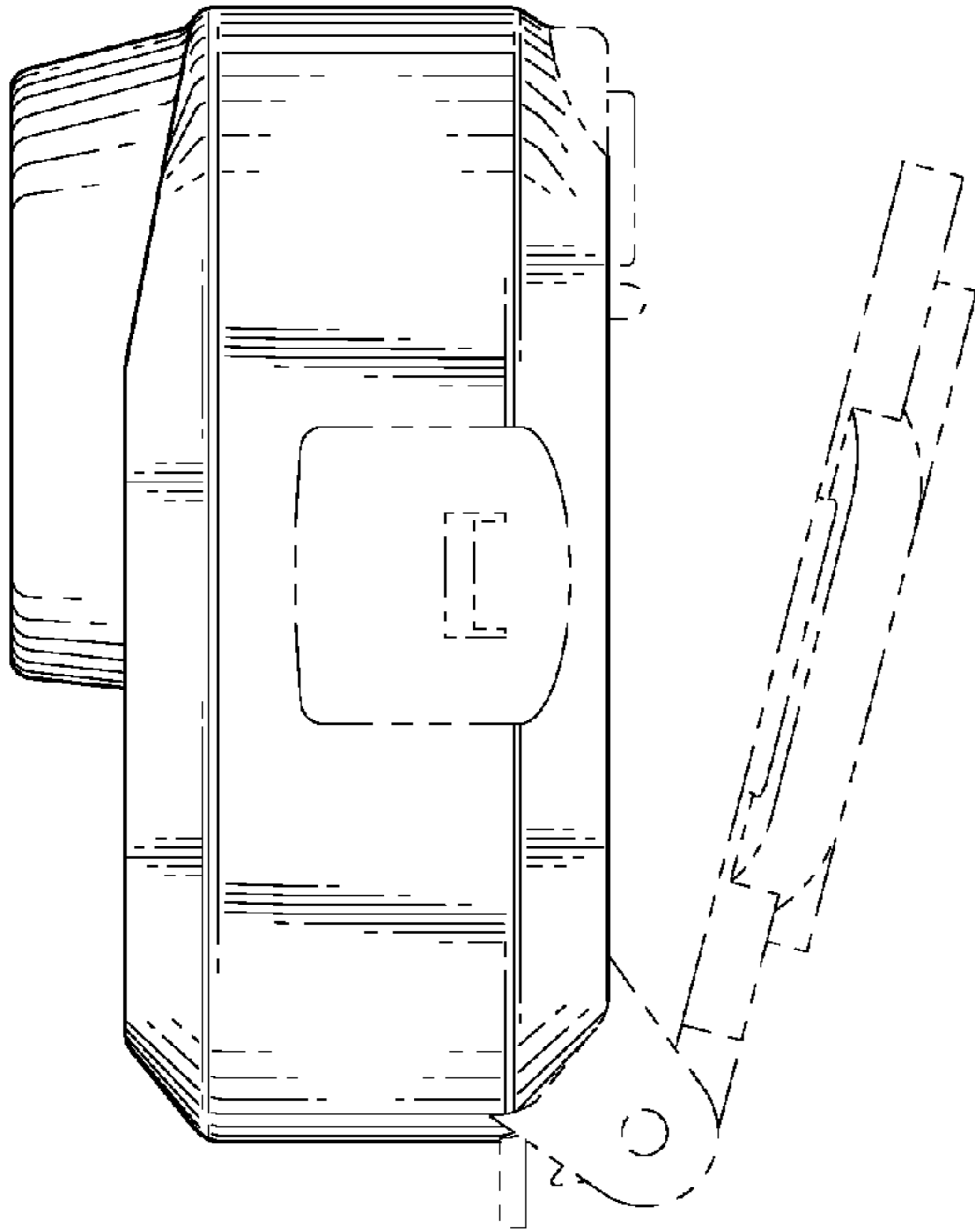


FIG. 5

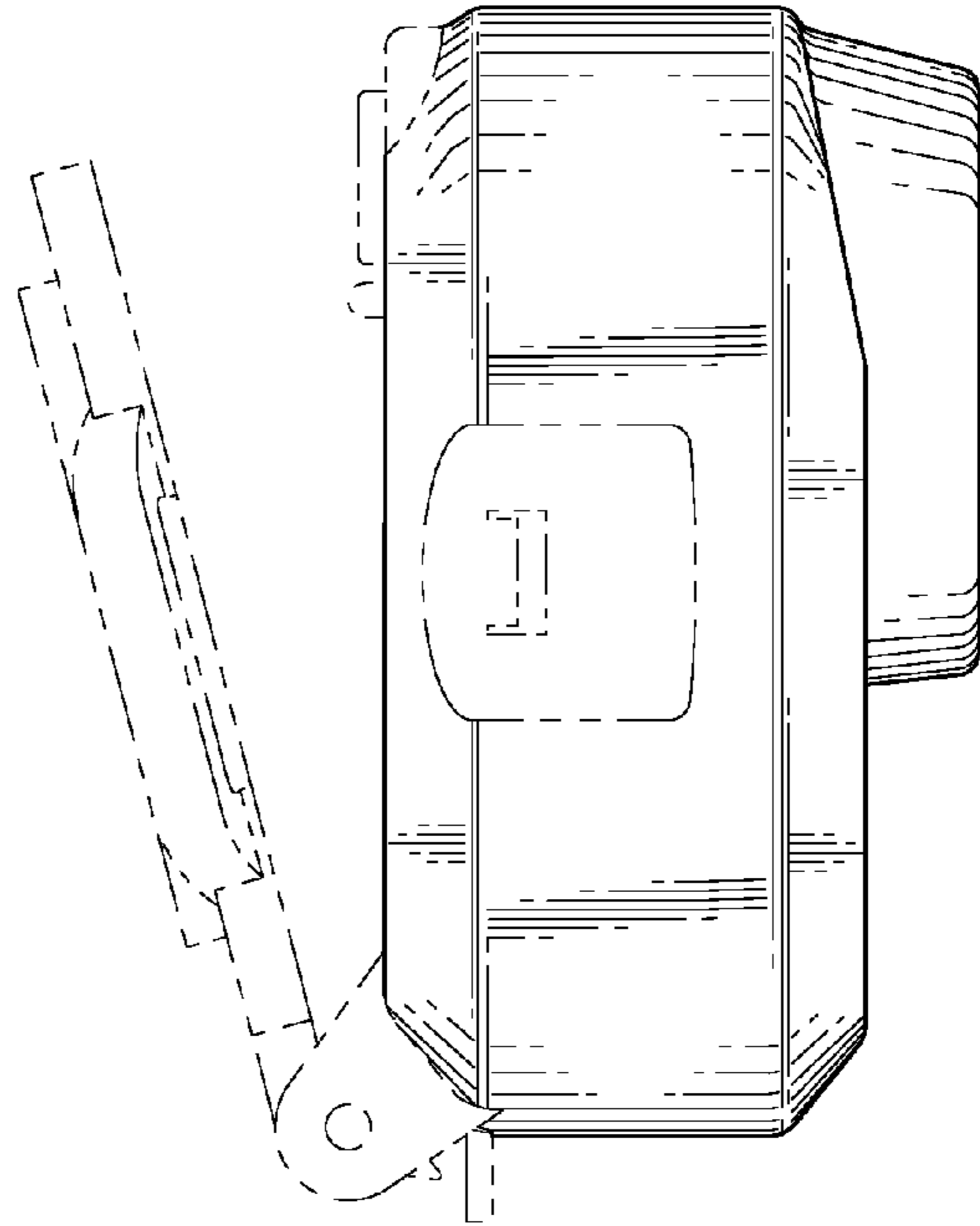


FIG. 6

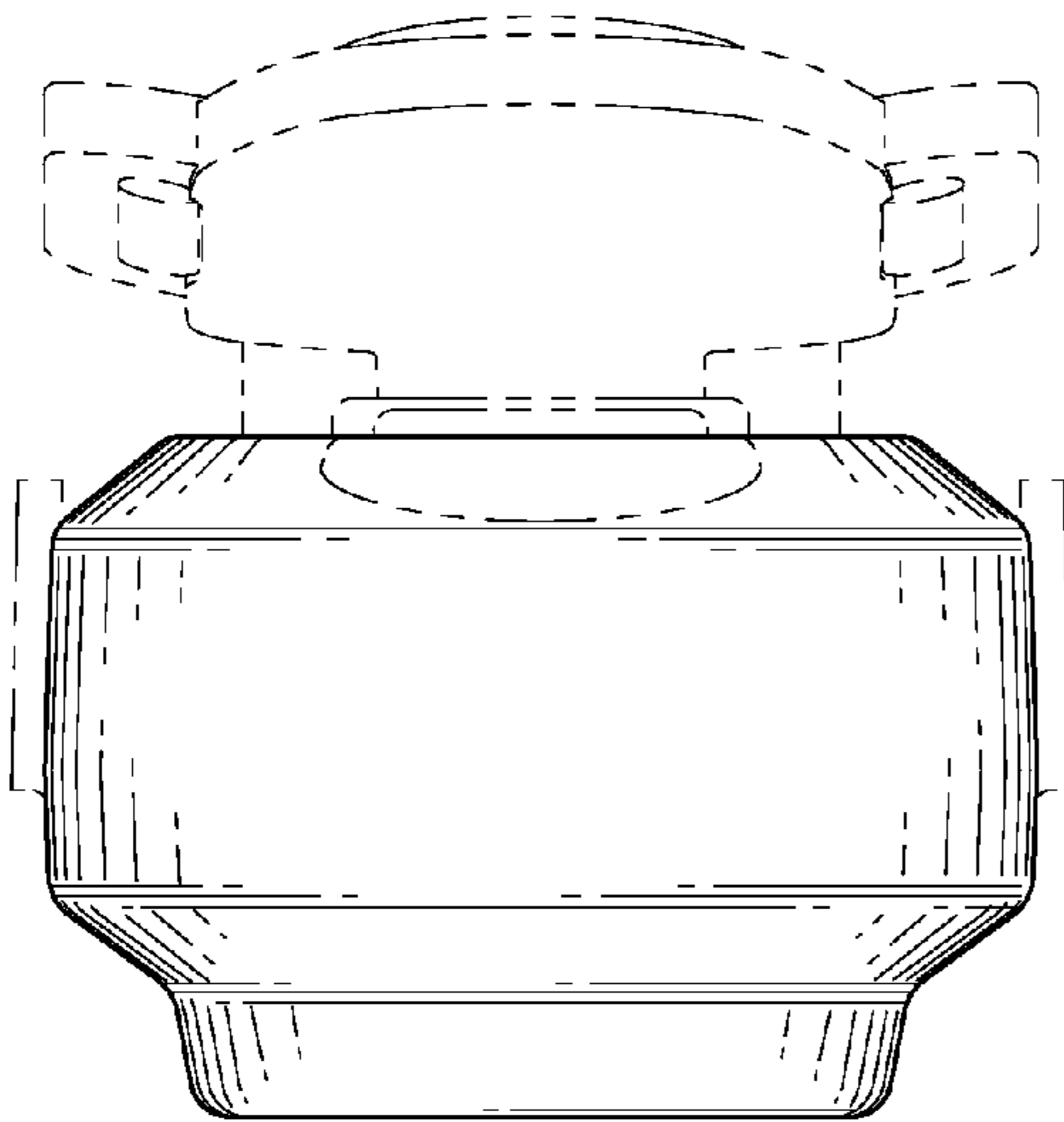


FIG. 7

