



US00D557842S

(12) **United States Design Patent** (10) **Patent No.:** **US D557,842 S**
Lee (45) **Date of Patent:** **** Dec. 18, 2007**

(54) **HEADLIGHT**

(76) Inventor: **Wen-Sung Lee**, 8F-2, No. 60-2, 1st Road, Taichung Industrial Park, Taichung 407 (TW)

(**) Term: **14 Years**

(21) Appl. No.: **29/275,029**

(22) Filed: **Dec. 8, 2006**

(51) **LOC (8) Cl.** **26-02**

(52) **U.S. Cl.** **D26/39**

(58) **Field of Classification Search** D26/37-50;
362/157, 158, 171-174, 183-208

See application file for complete search history.

(56) **References Cited**

U.S. PATENT DOCUMENTS

D482,811 S	*	11/2003	Petzl	D26/39
D503,817 S	*	4/2005	Shiu	D26/39
D520,656 S	*	5/2006	Shiu	D26/28
D528,239 S	*	9/2006	Petzl	D26/39
D532,538 S	*	11/2006	Yuen	D26/39
D539,952 S	*	4/2007	Iranyi et al.	D26/39
D542,450 S	*	5/2007	Shiu	D26/60

* cited by examiner

Primary Examiner—Marcus A. Jackson
(74) *Attorney, Agent, or Firm*—Banger Shia

(57) **CLAIM**

I claim the ornamental design for a headlight, as shown and described.

DESCRIPTION

FIG. 1 is a perspective view of a headlight, showing my new design;

FIG. 2 is a front elevational view thereof;

FIG. 3 is a rear elevational view thereof;

FIG. 4 is a left side elevational view thereof;

FIG. 5 is a right side elevational view thereof;

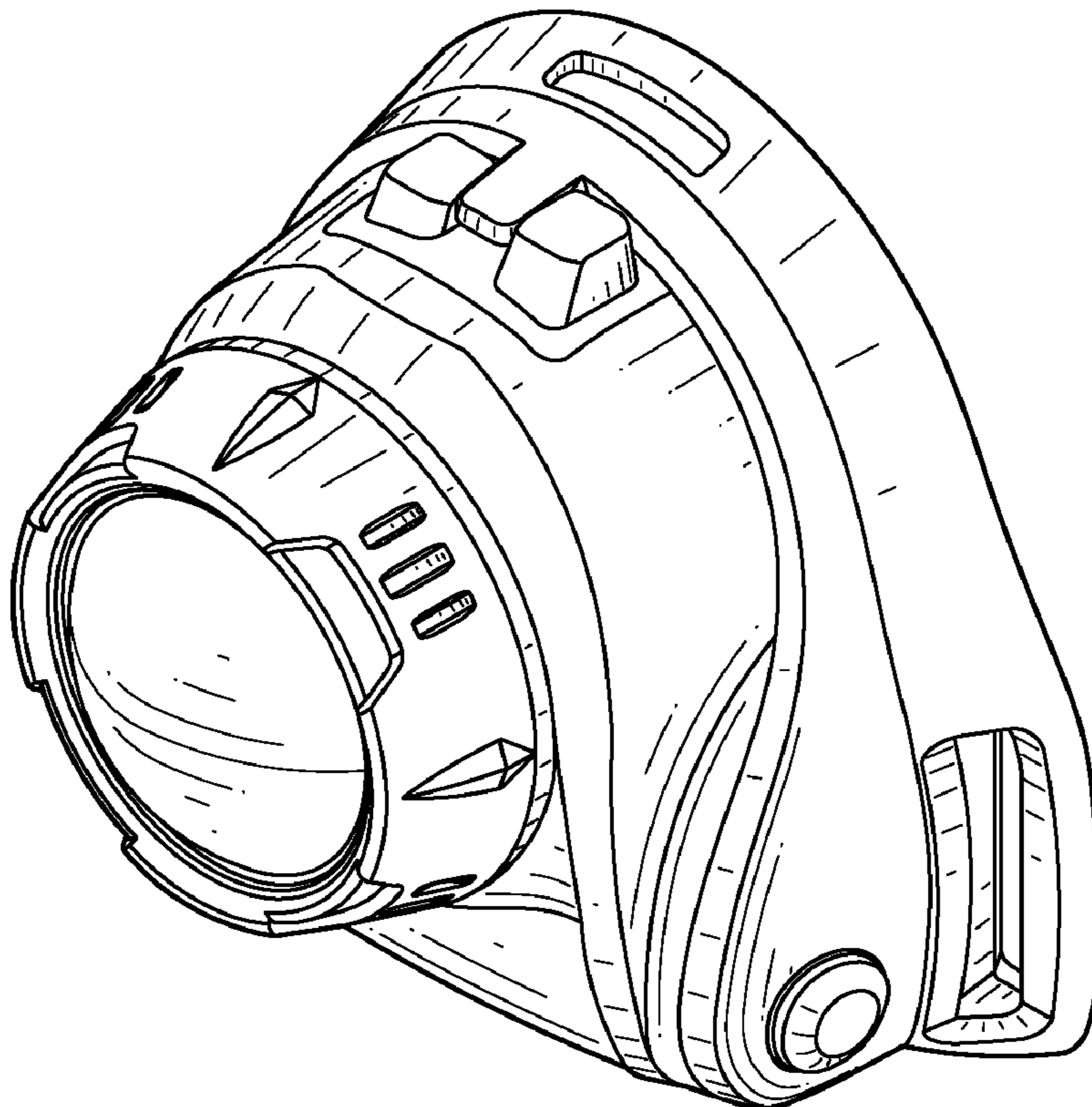
FIG. 6 is a top plan view thereof;

FIG. 7 is a bottom plan view thereof; and,

FIG. 8 is a perspective view showing the claimed design in an open position.

The broken line showing of head strap is included for the purpose of illustrating the claimed design in use and forms no part of the claimed design.

1 Claim, 8 Drawing Sheets



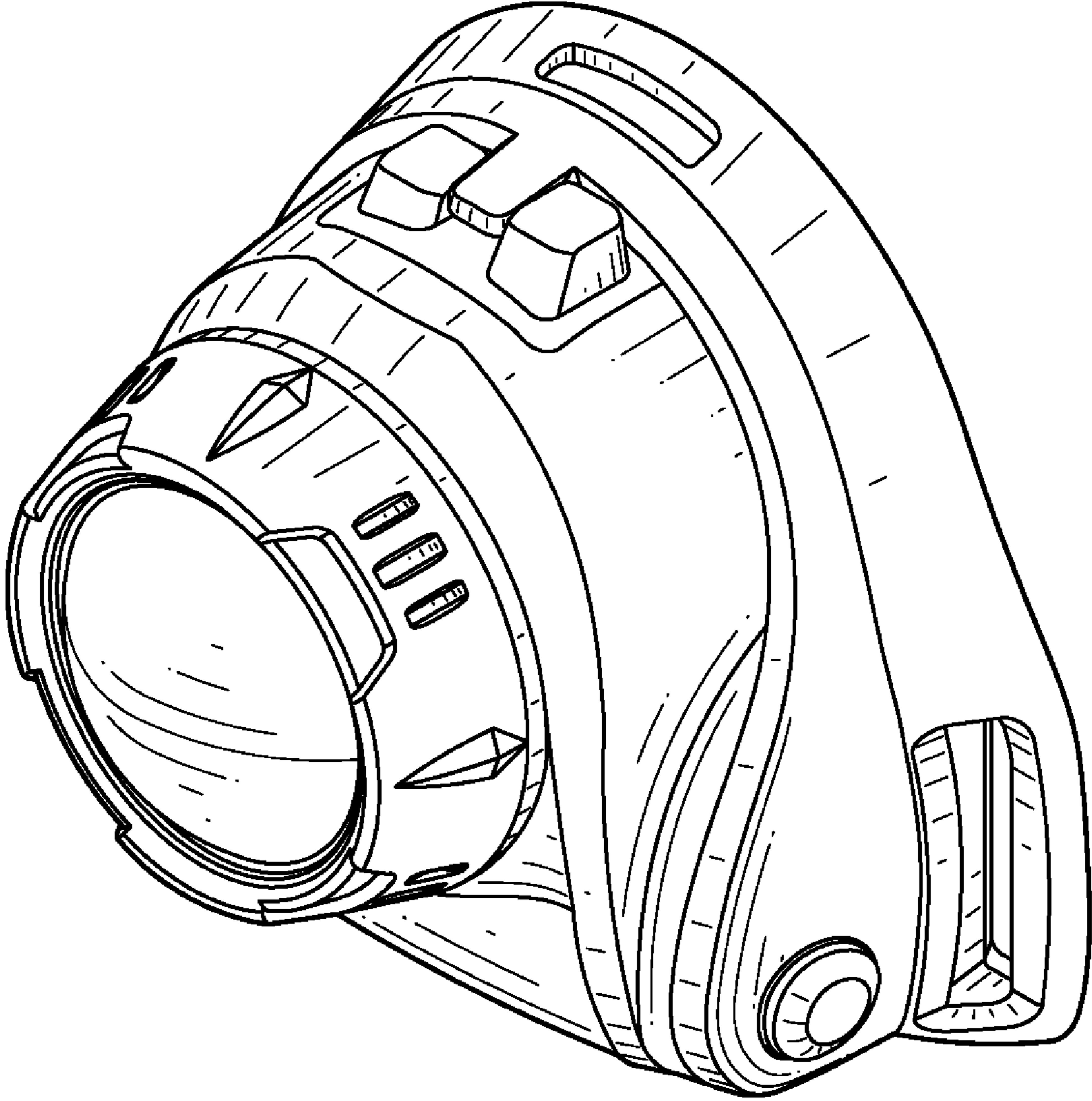


FIG. 1

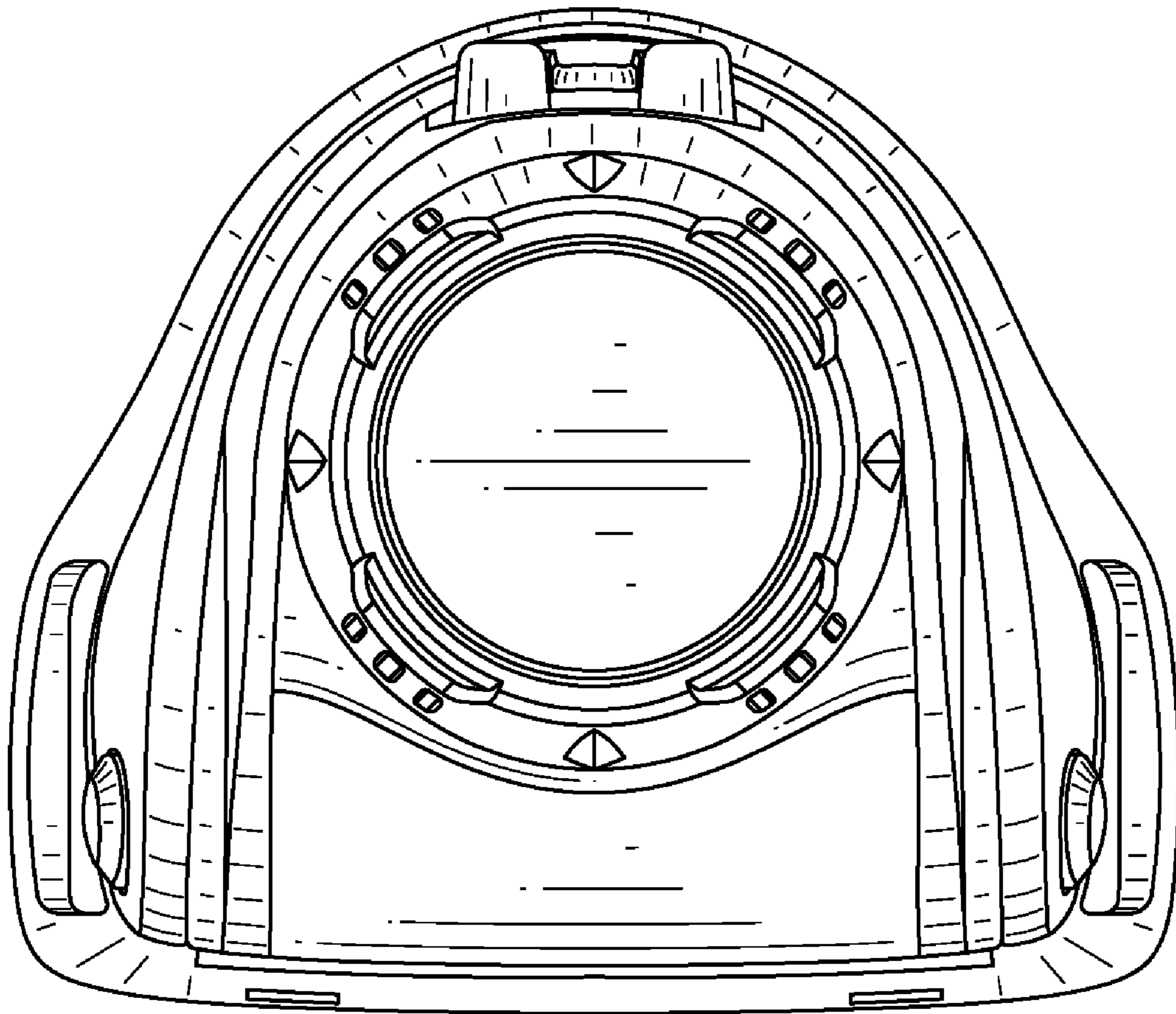


FIG. 2

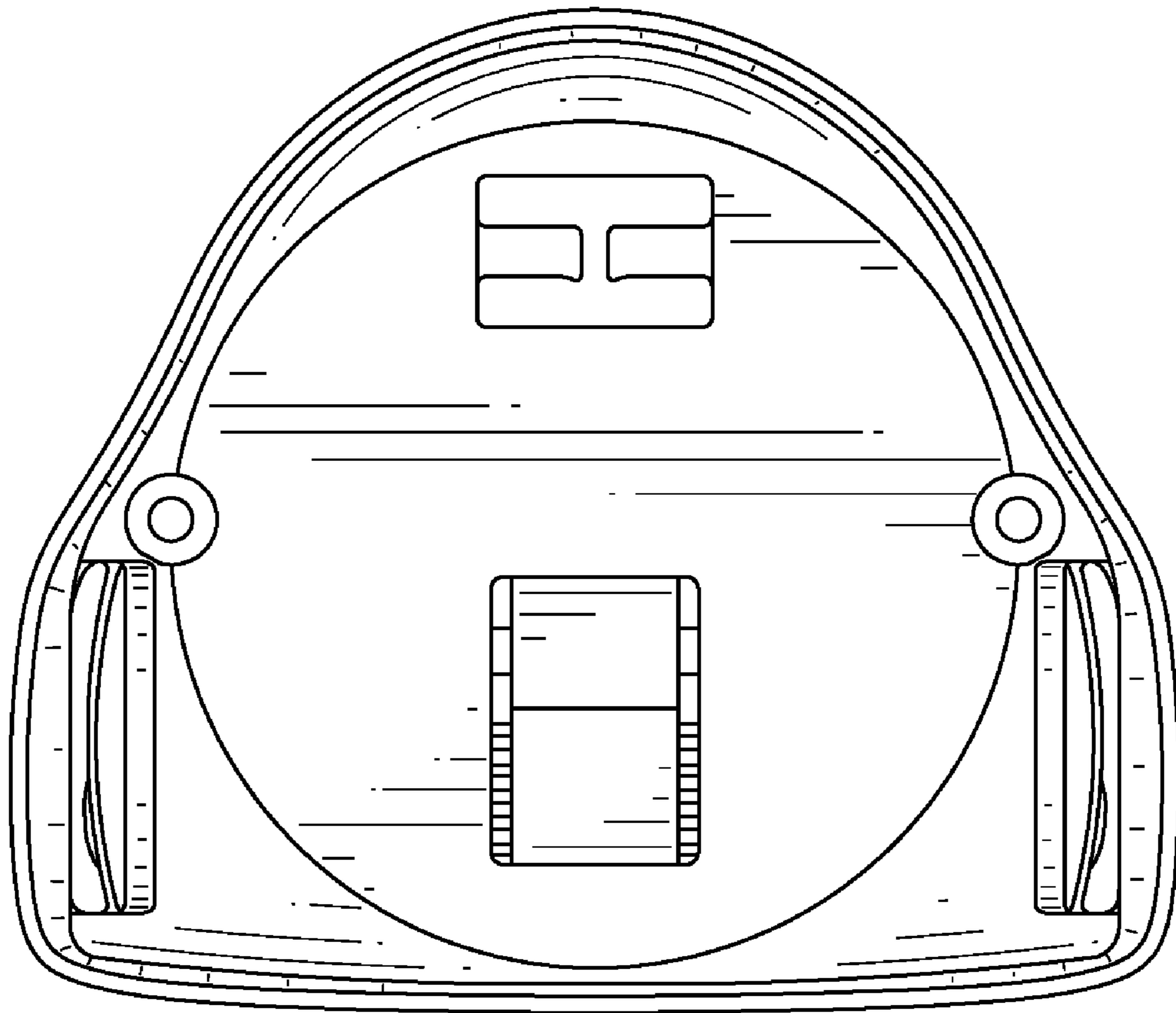


FIG. 3

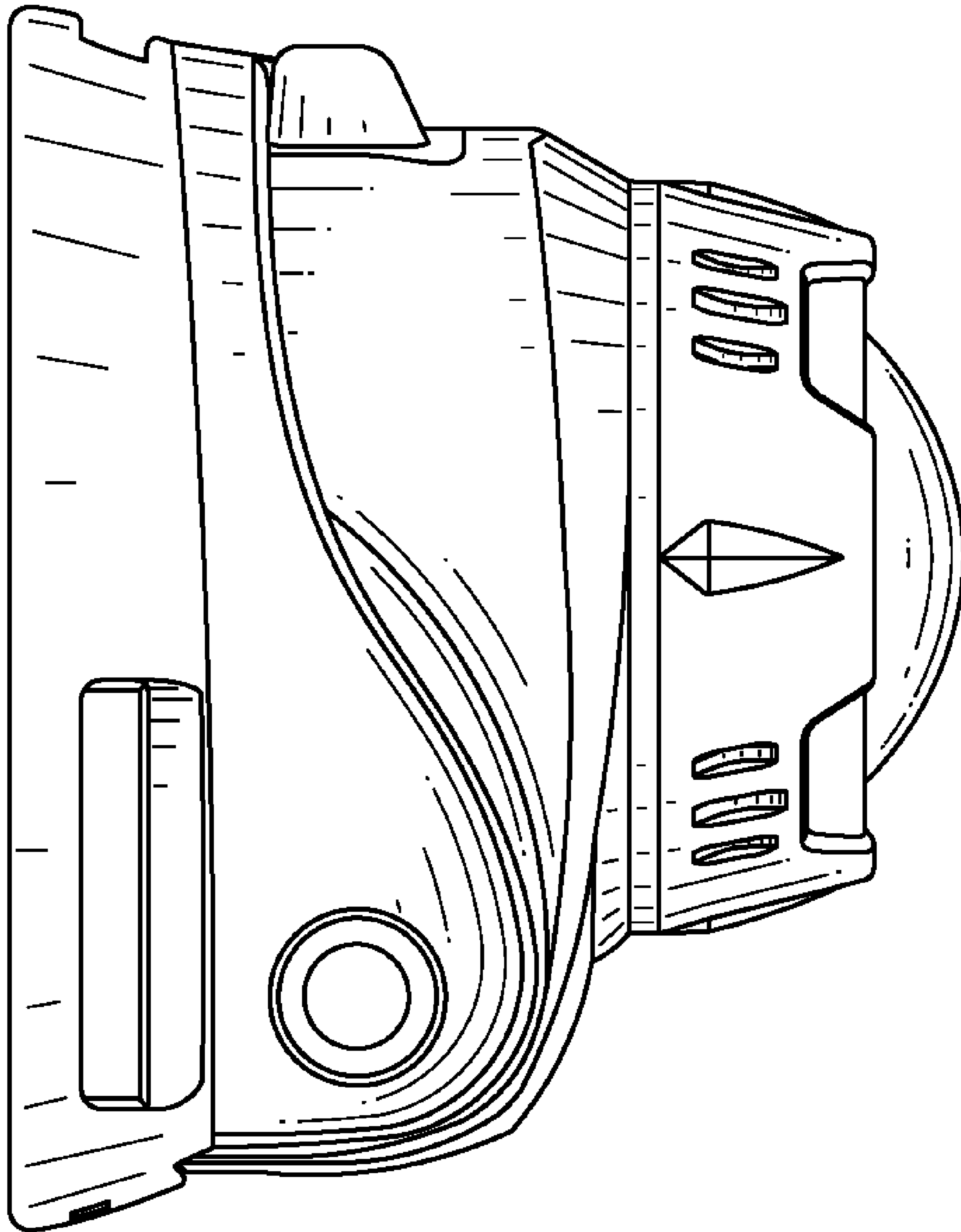


FIG. 4

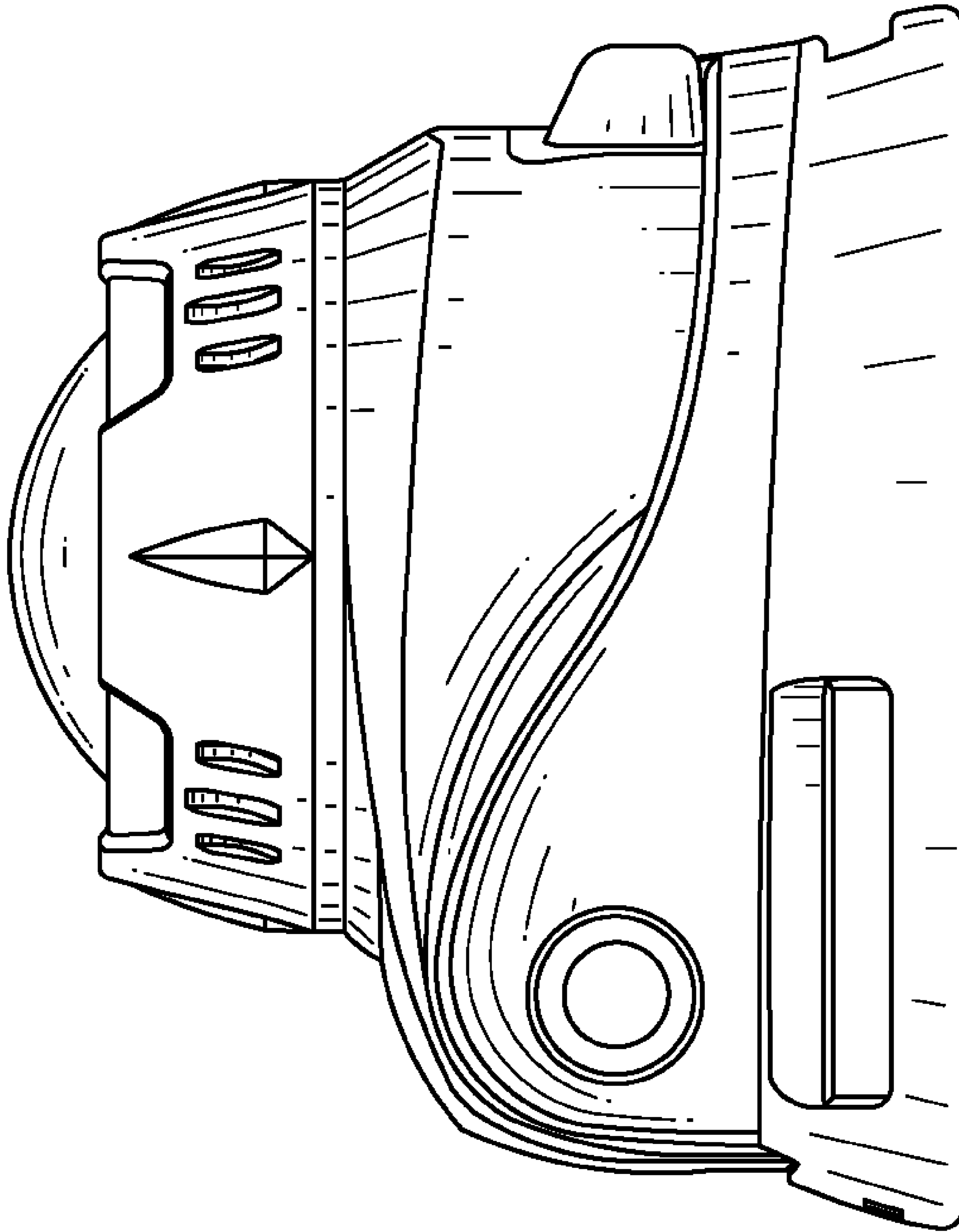


FIG. 5

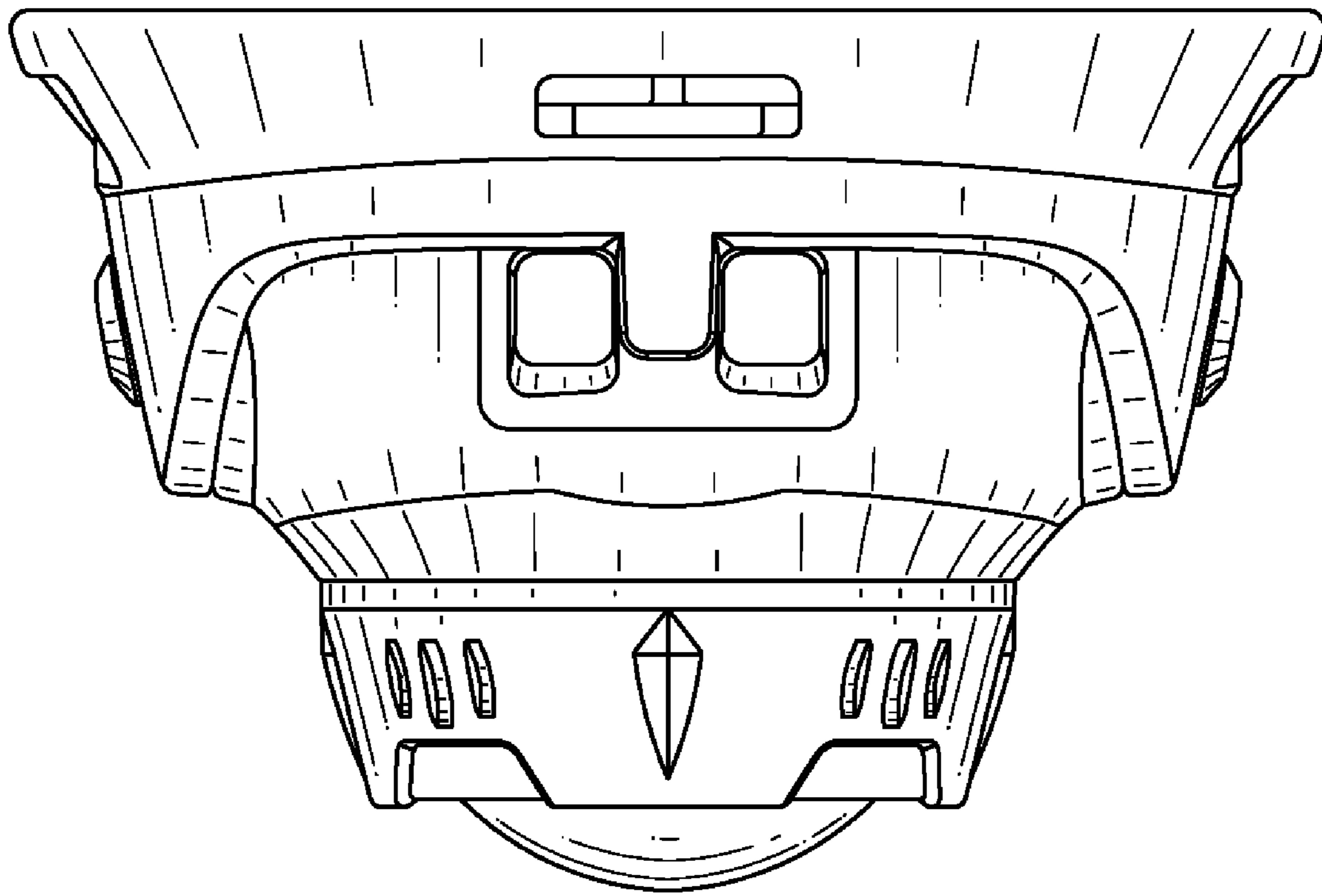


FIG. 6

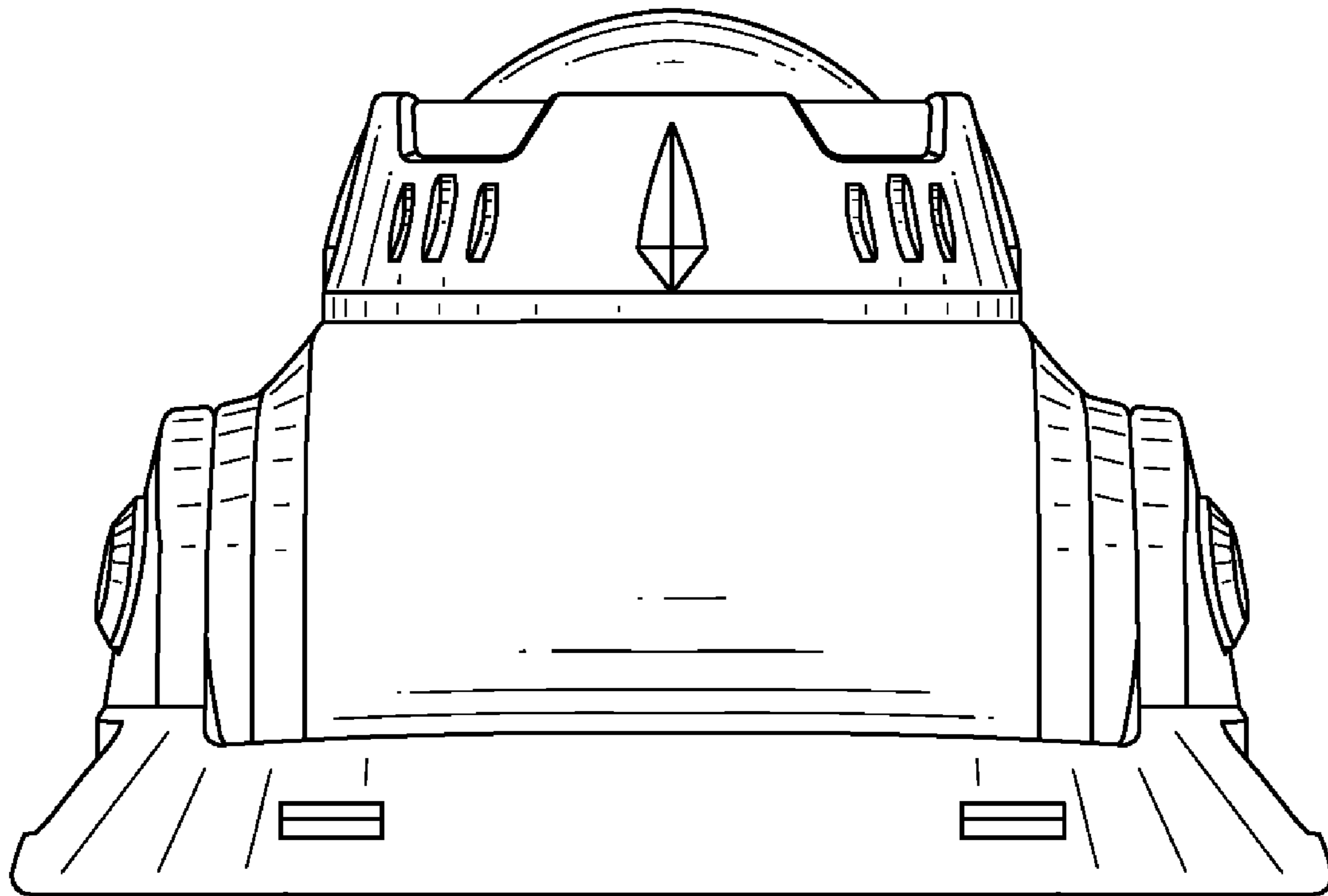


FIG. 7

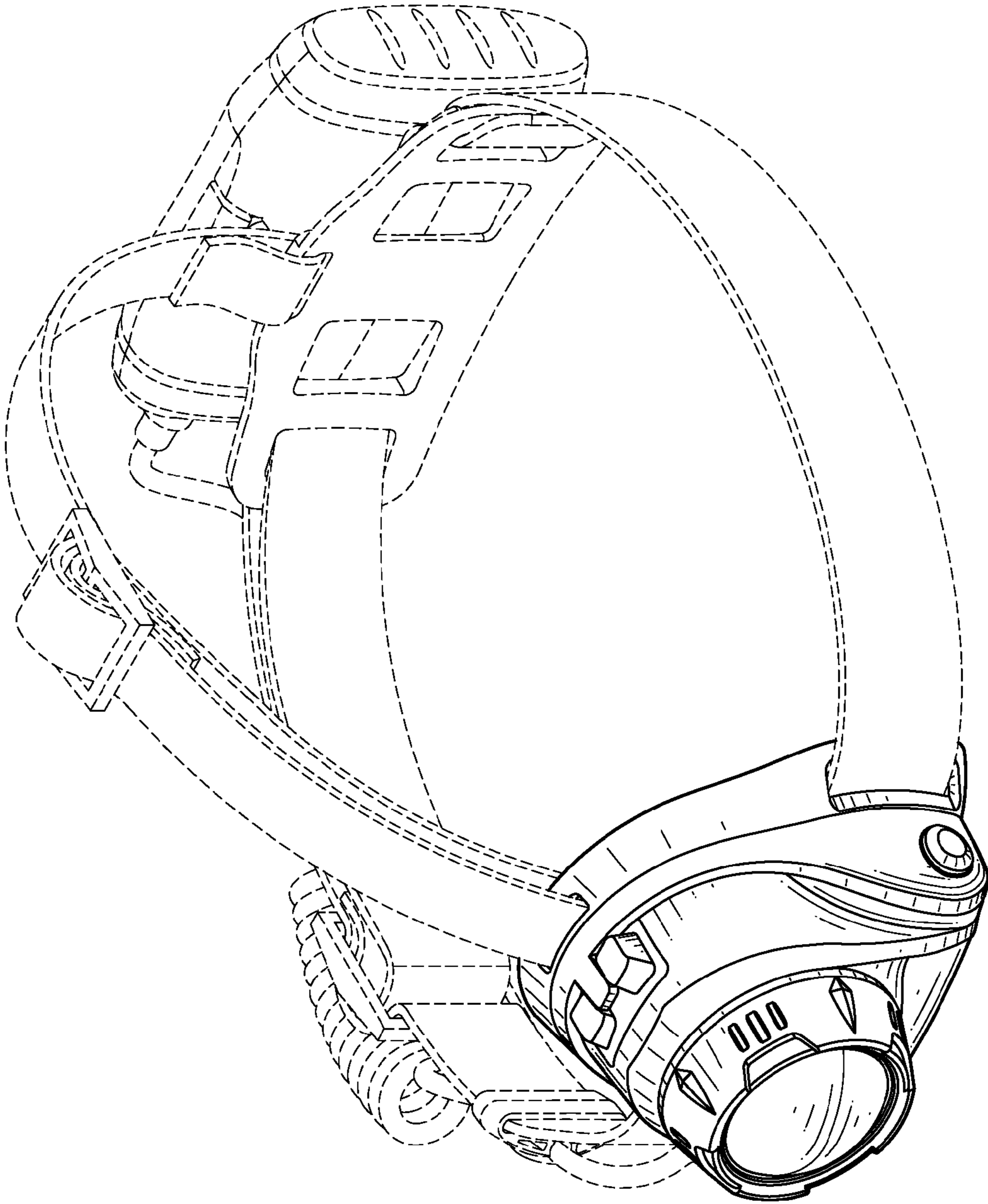


FIG. 8