



US00D557836S

(12) **United States Design Patent**
Shiu

(10) **Patent No.:** **US D557,836 S**

(45) **Date of Patent:** **** Dec. 18, 2007**

(54) **TORCH**

D512,525 S * 12/2005 Yang D26/49

(75) Inventor: **Stephanie Wai Man Shiu**, Kowloon (HK)

* cited by examiner

(73) Assignee: **Gold Coral International Limited**, Kowloon (HK)

Primary Examiner—Ian Simmons

Assistant Examiner—Carissa C Fitts

(74) *Attorney, Agent, or Firm*—Carmody & Torrance LLP

(**) Term: **14 Years**

(57) **CLAIM**

(21) Appl. No.: **29/199,087**

The ornamental design for a torch, as shown and described.

(22) Filed: **Feb. 9, 2004**

DESCRIPTION

(51) **LOC (8) Cl.** **26-02**

FIG. 1 is a right side view of a torch showing my new design;

(52) **U.S. Cl.** **D26/37; D26/49**

FIG. 2 is a front view thereof;

(58) **Field of Classification Search** D26/37-50;
362/157, 158, 171, 172, 173, 174, 183-208,
362/159, 162

FIG. 3 is a left side view thereof;

FIG. 4 is a bottom plan view thereof;

See application file for complete search history.

FIG. 5 is a top plan view thereof;

FIG. 6 is a right side view thereof with the end cap shown in an extended position:

(56) **References Cited**

U.S. PATENT DOCUMENTS

D321,568 S * 11/1991 Yuen D26/42

D369,423 S * 4/1996 Garrity D26/49

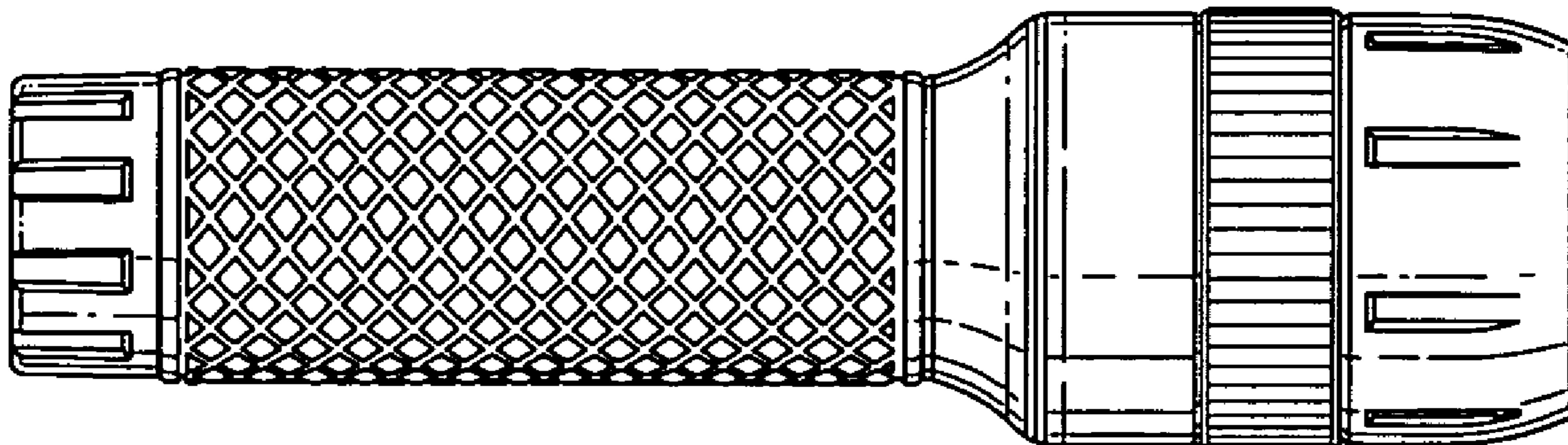
D445,522 S * 7/2001 Chiu D26/49

6,598,993 B1 * 7/2003 Dalton et al. 362/202

FIG. 7 is a front view thereof: and,

FIG. 8 is a left side view thereof.

1 Claim, 2 Drawing Sheets



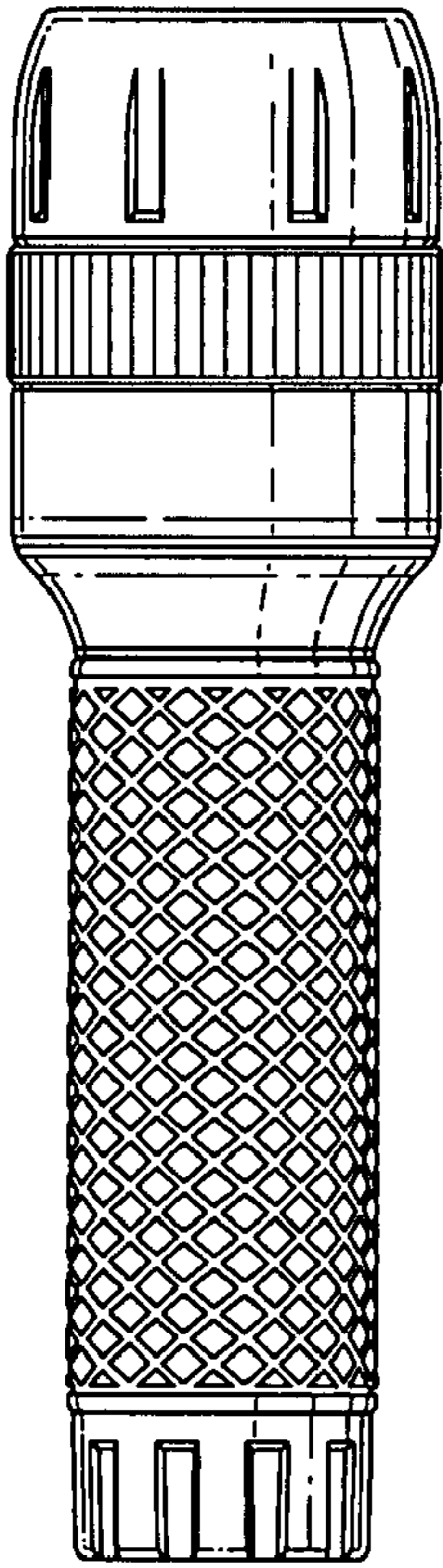


FIG. 1

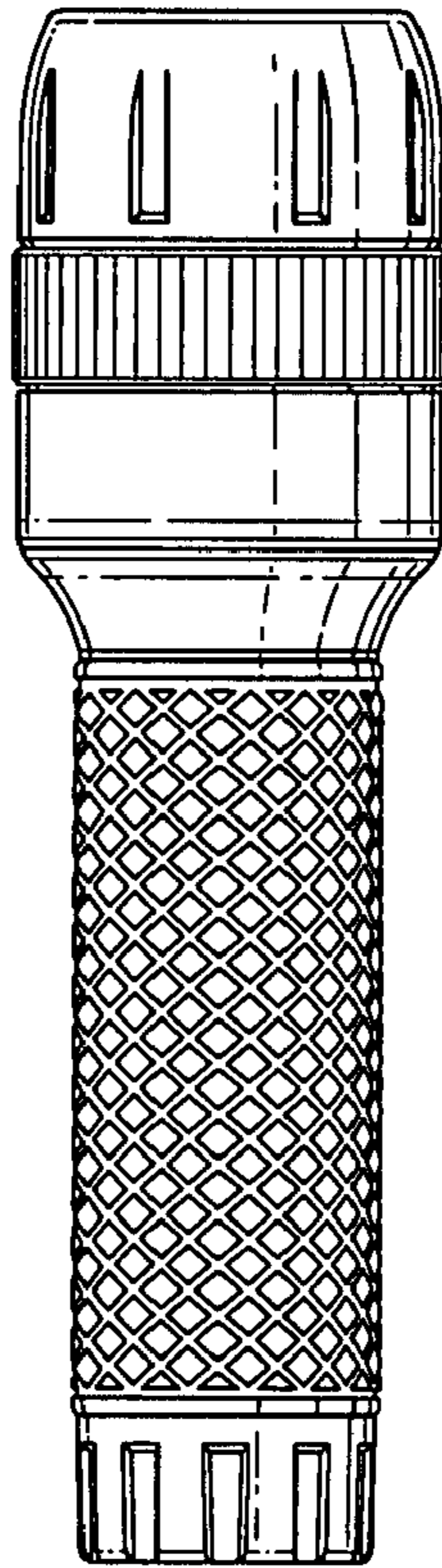


FIG. 2

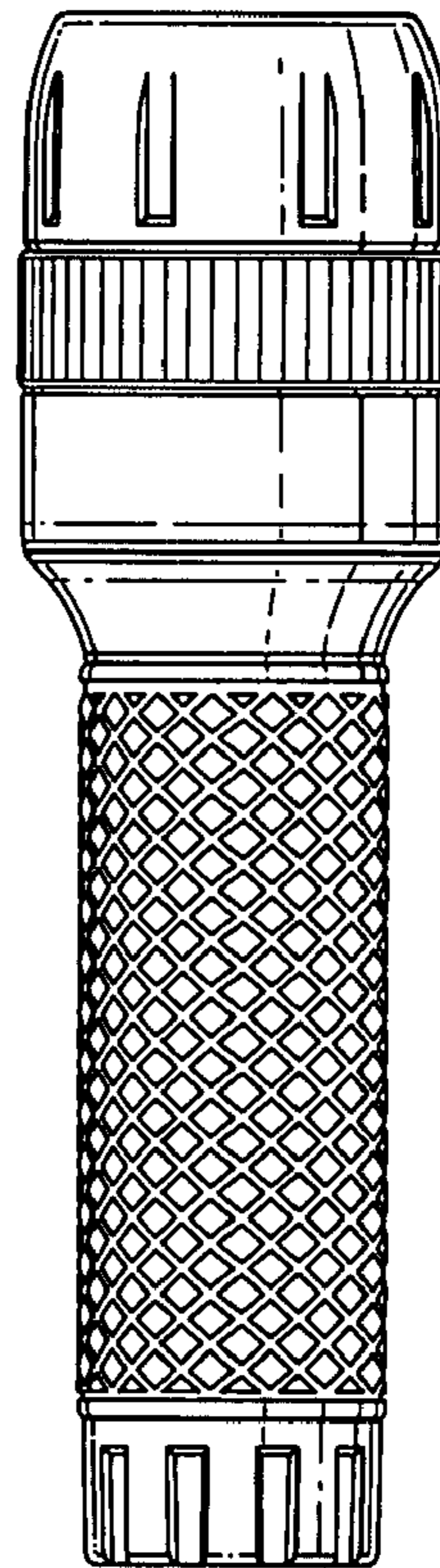


FIG. 3

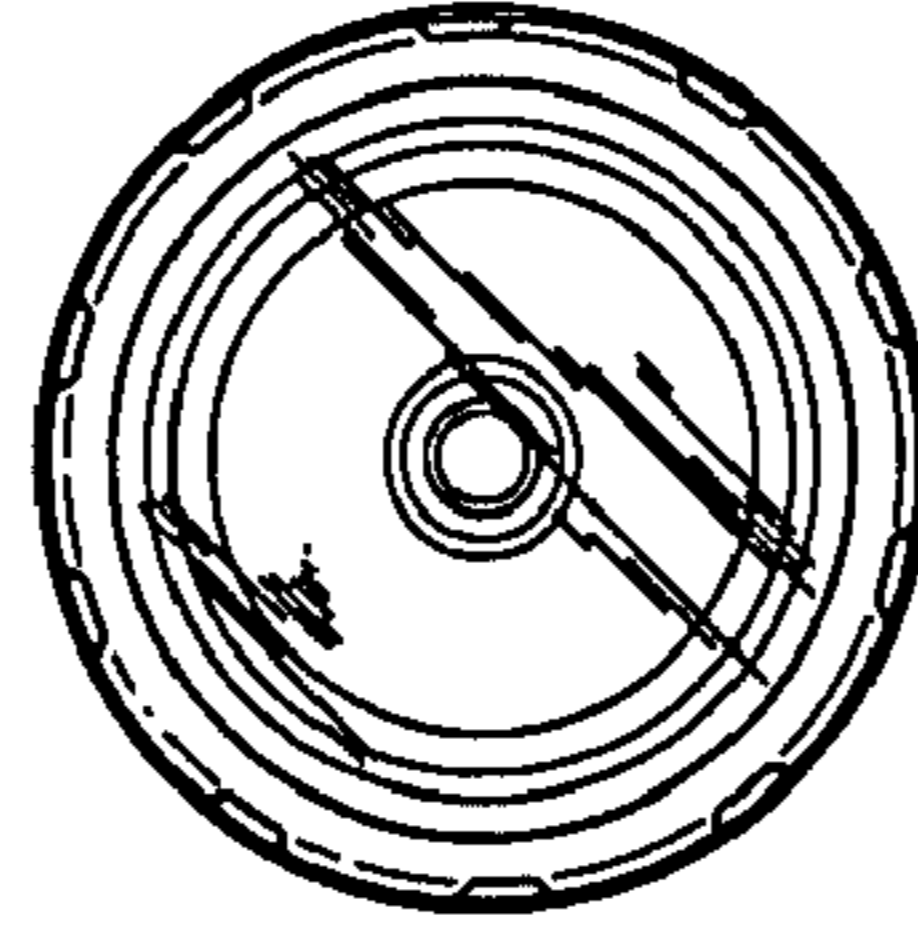


FIG. 5

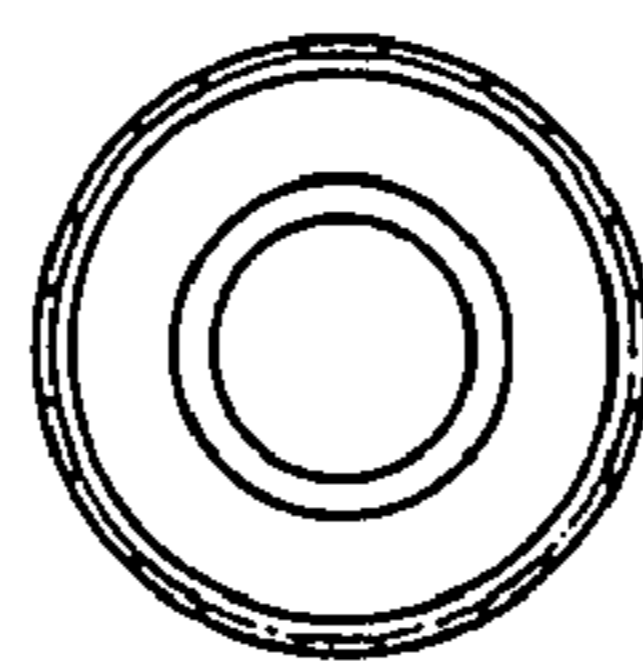


FIG. 4

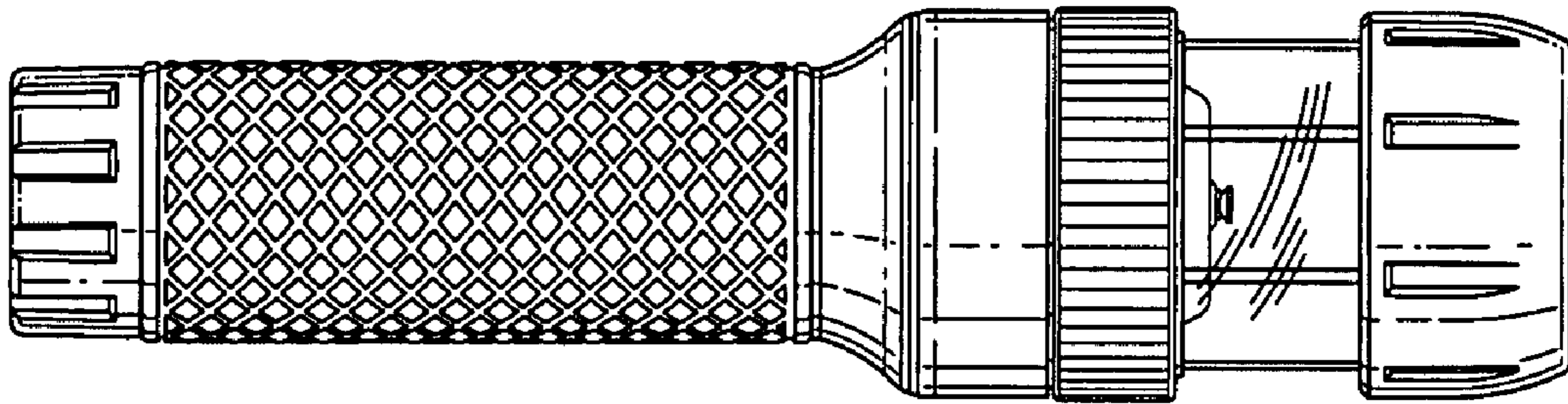


FIG. 6

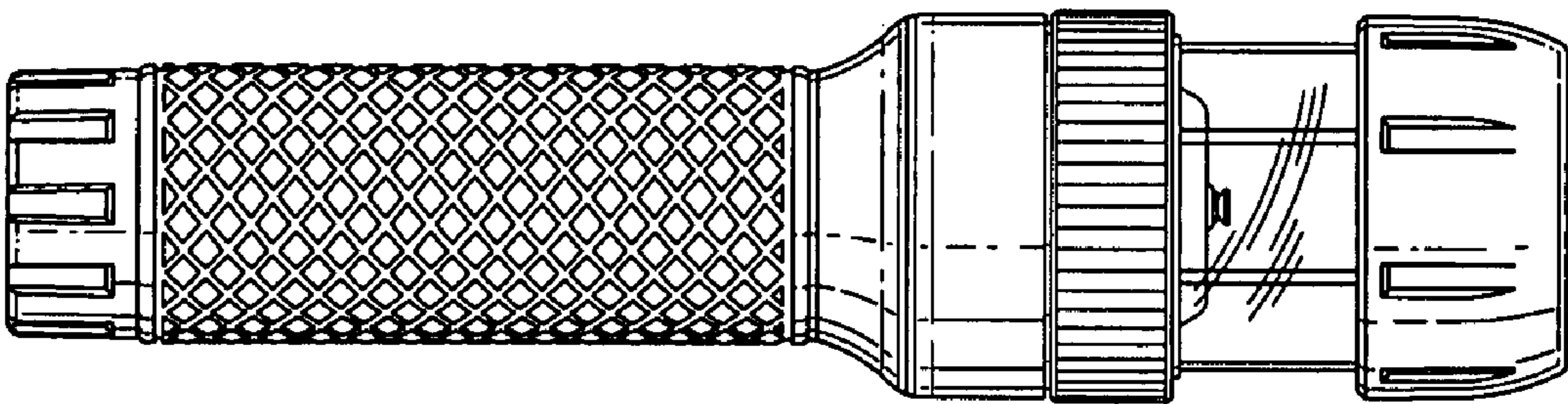


FIG. 7

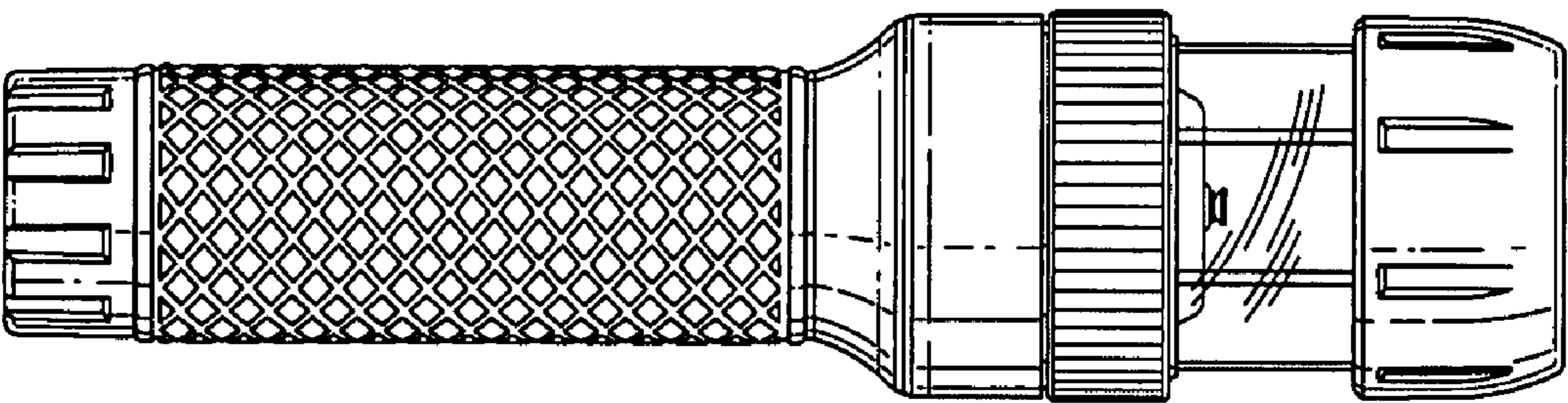


FIG. 8