



US00D557835S

(12) **United States Design Patent**  
**Anderson**

(10) **Patent No.:** **US D557,835 S**

(45) **Date of Patent:** **\*\* Dec. 18, 2007**

(54) **UNDERWATER BOAT LIGHT**

(76) Inventor: **Andrew N. Anderson**, 8501 Howard Cir., Huntington Beach, CA (US) 92647

(\*\*) Term: **14 Years**

(21) Appl. No.: **29/286,735**

(22) Filed: **May 17, 2007**

(51) **LOC (8) Cl.** ..... **26-06**

(52) **U.S. Cl.** ..... **D26/28**

(58) **Field of Classification Search** ..... D26/28-36;  
362/459-468, 475-478, 485-487  
See application file for complete search history.

(56) **References Cited**

U.S. PATENT DOCUMENTS

D427,696 S \* 7/2000 Scott et al. .... D26/28

D463,048 S \* 9/2002 Scott et al. .... D26/28

D465,041 S \* 10/2002 Ziaylek et al. .... D26/28

\* cited by examiner

*Primary Examiner*—Marcus A. Jackson

(74) *Attorney, Agent, or Firm*—William L. Chapin

(57) **CLAIM**

The ornamental design for an underwater boat light, as shown and described.

**DESCRIPTION**

FIG. 1 is an upper perspective view of an underwater boat light according to the present invention with the wires broken away at the ends to indicate indeterminate length.

FIG. 2 is a front elevation view thereof.

FIG. 3 is a rear elevation view thereof.

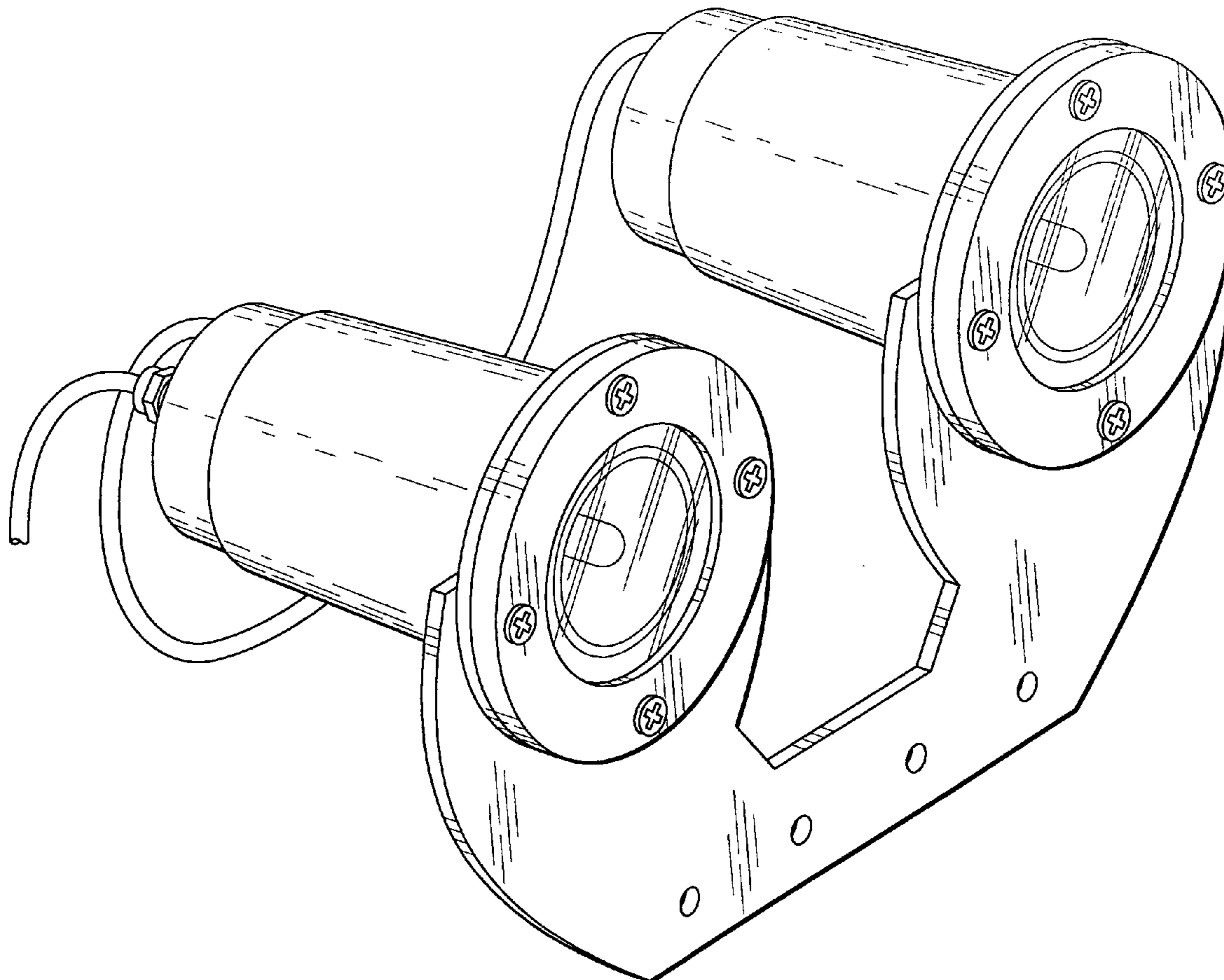
FIG. 4 is a right side elevation view thereof.

FIG. 5 is a left side elevation view thereof.

FIG. 6 is an upper plan view thereof; and,

FIG. 7 is a lower plan view thereof.

**1 Claim, 4 Drawing Sheets**



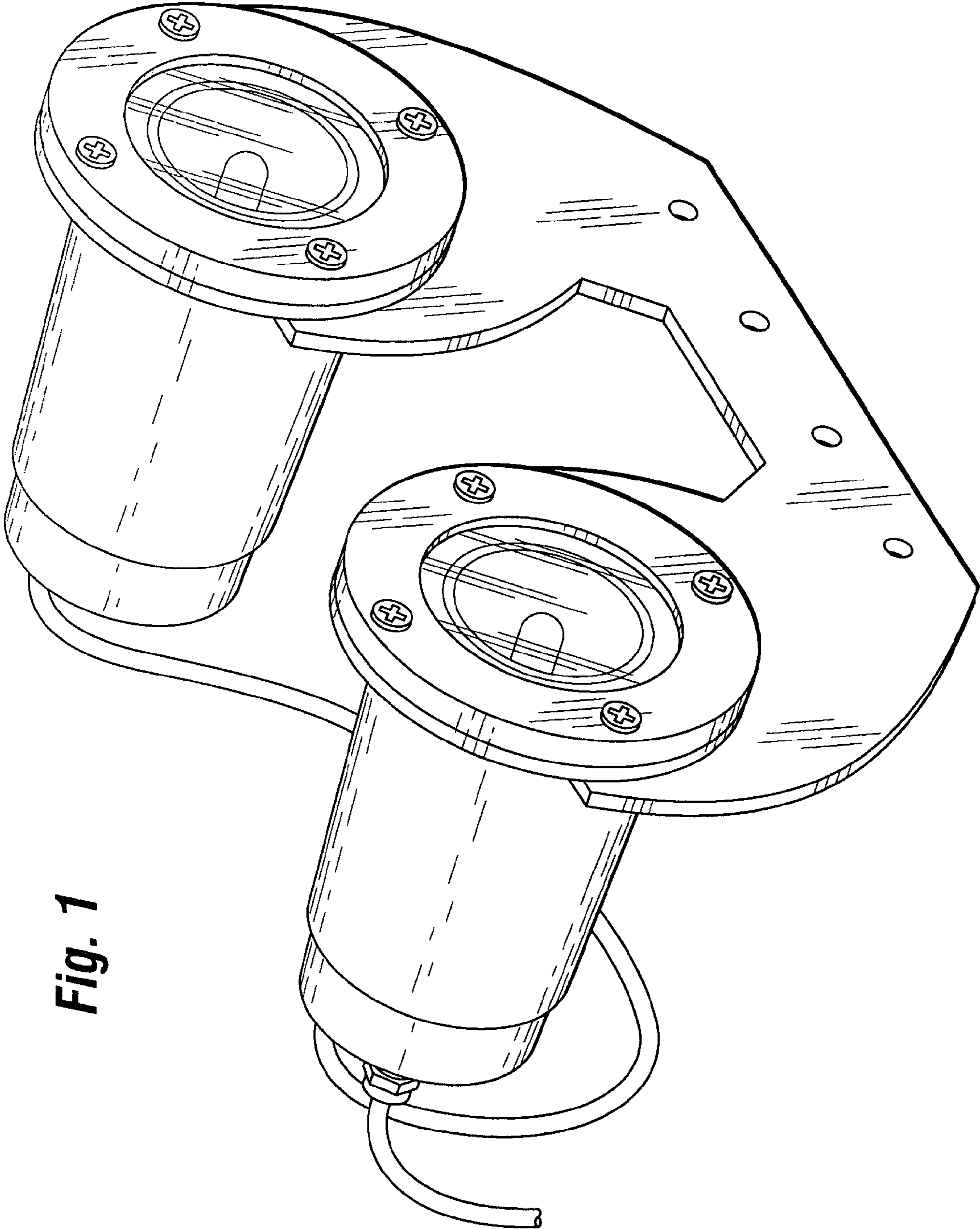
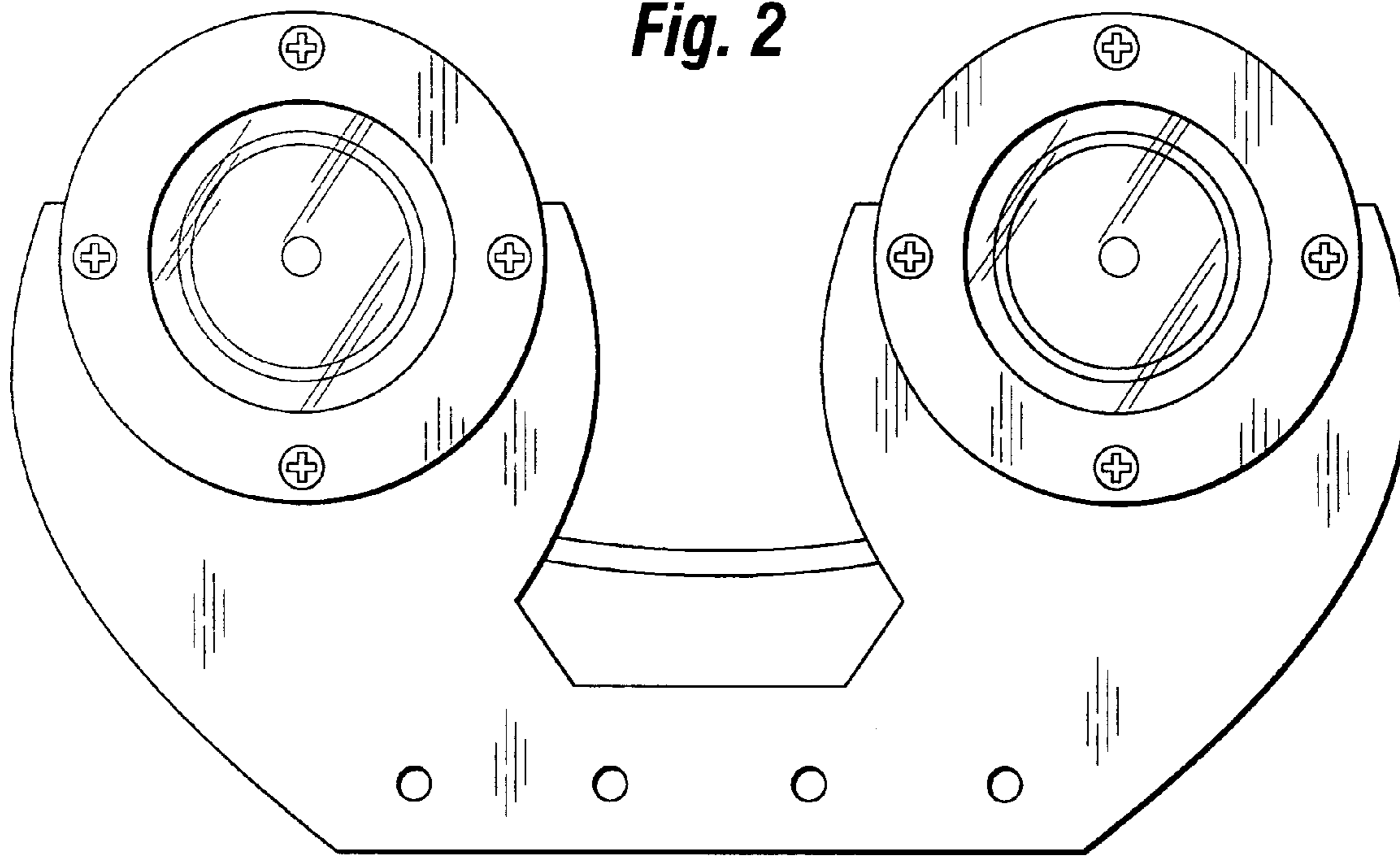
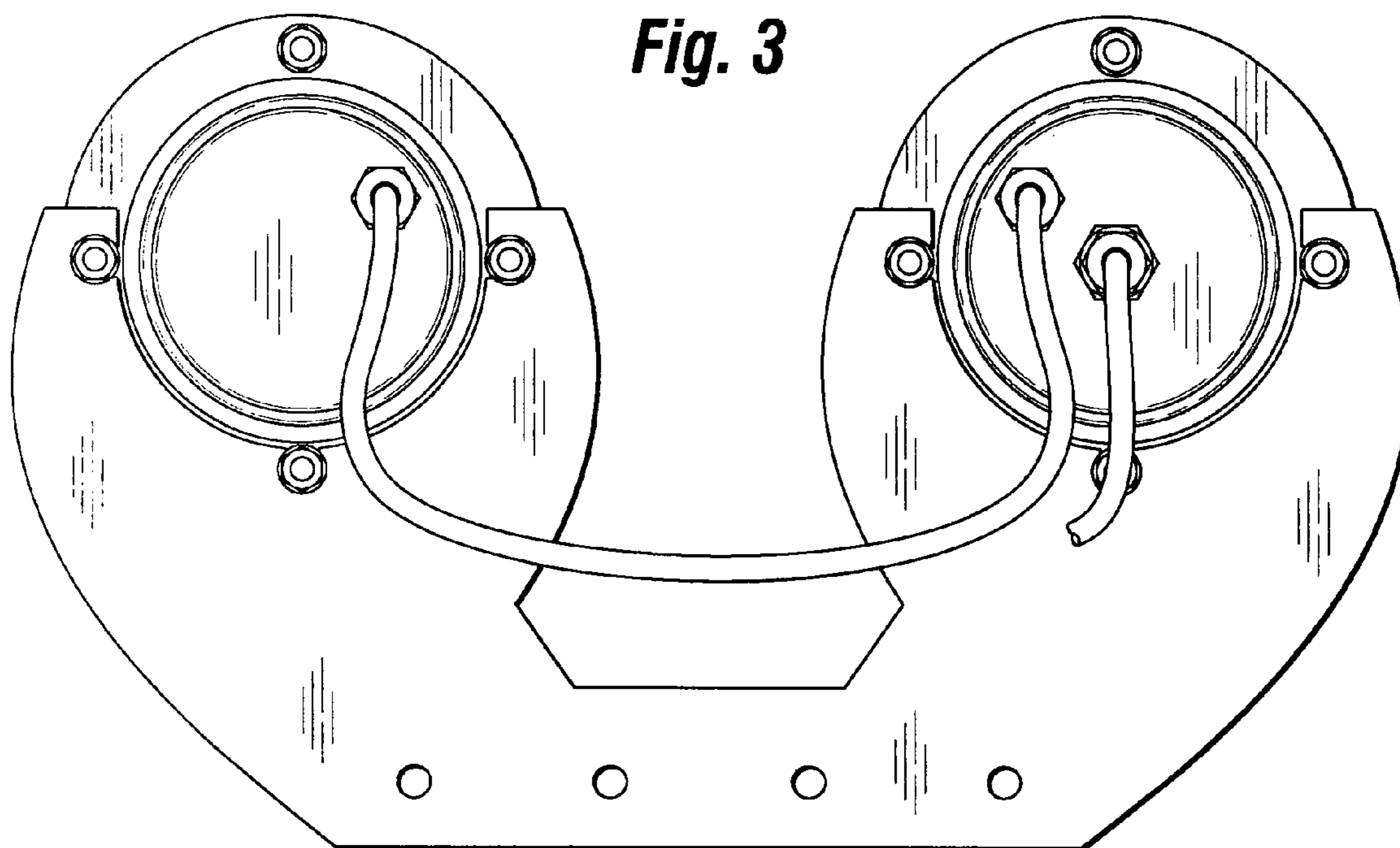


Fig. 1

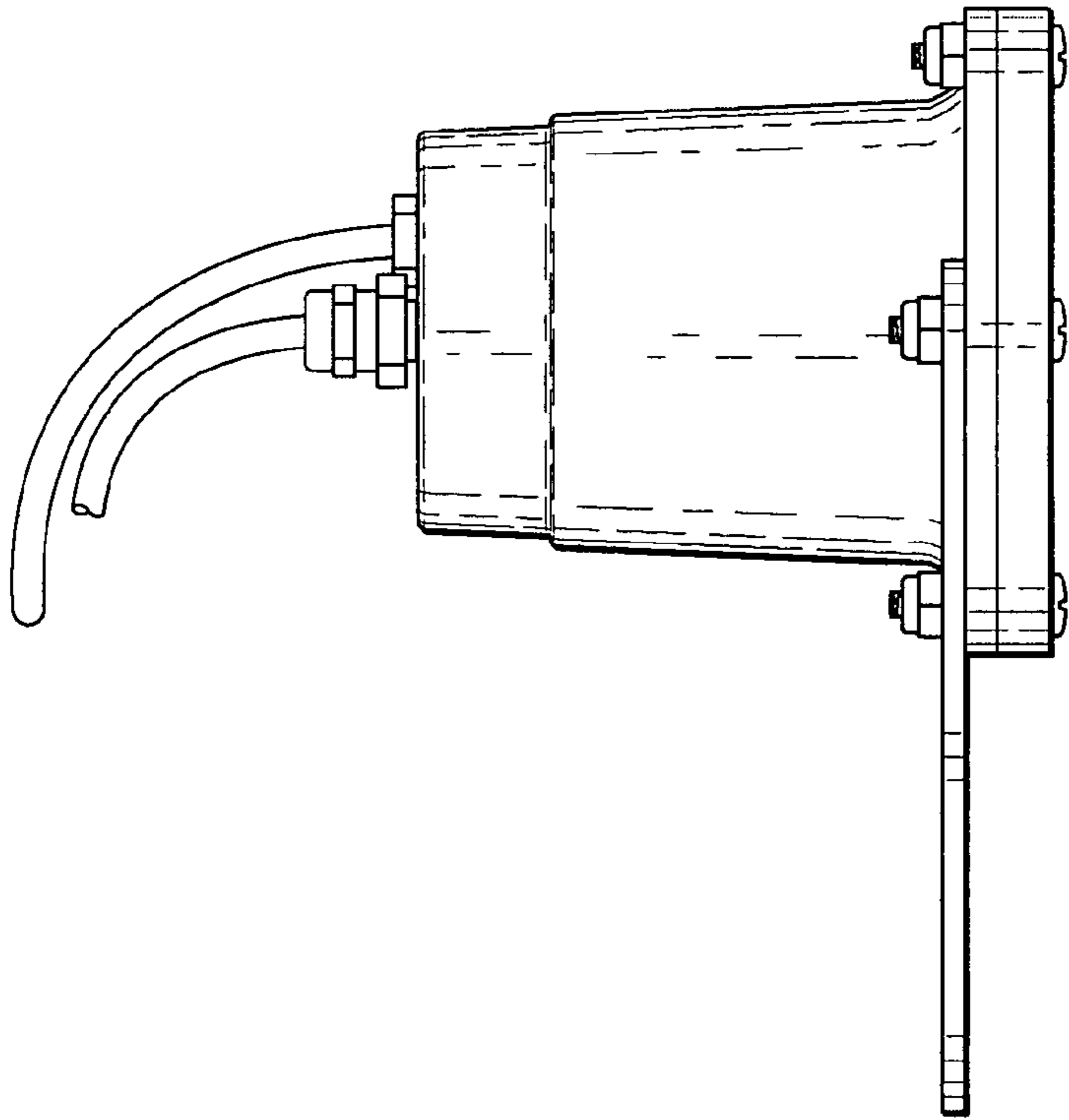
**Fig. 2**



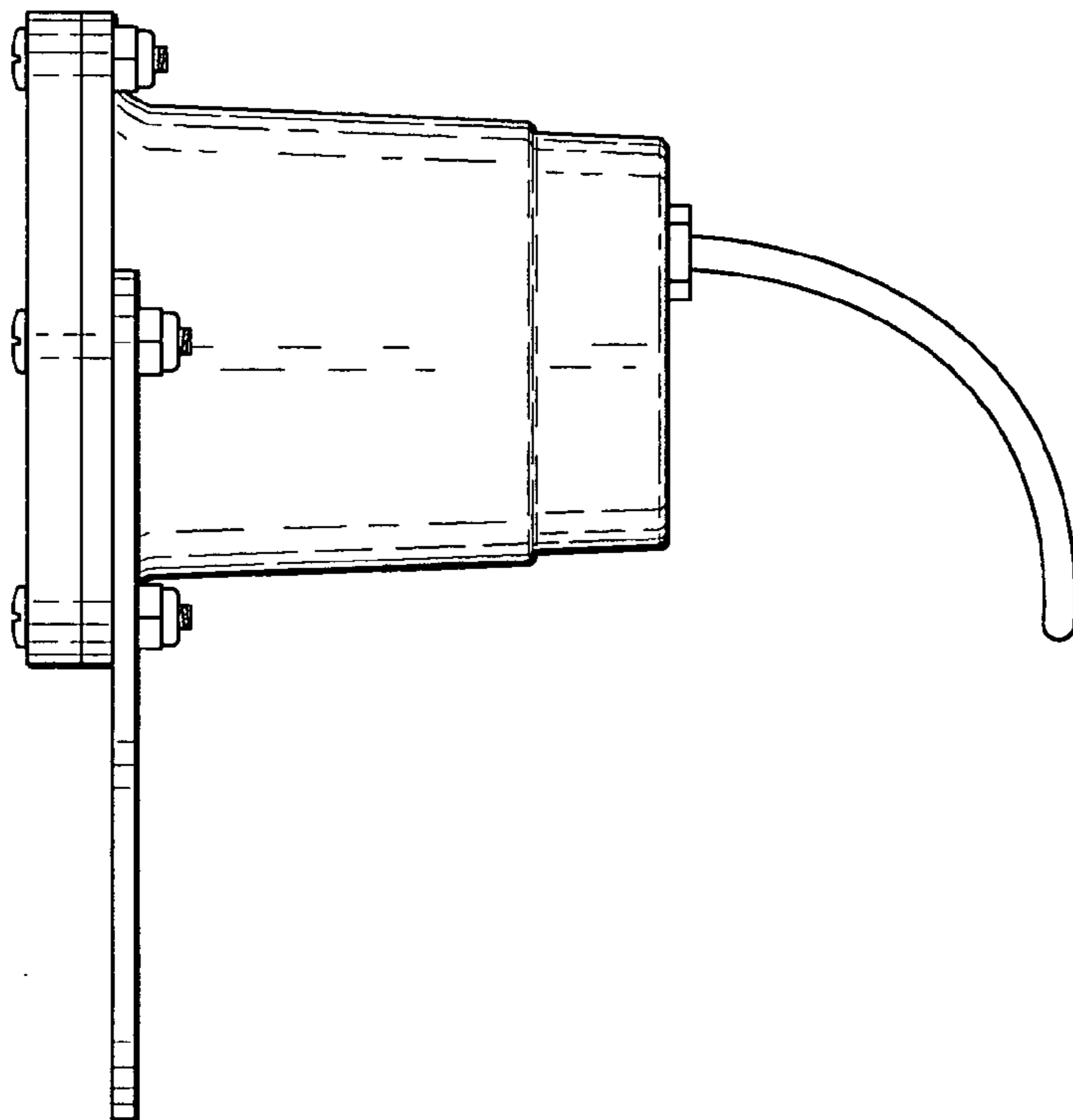
**Fig. 3**



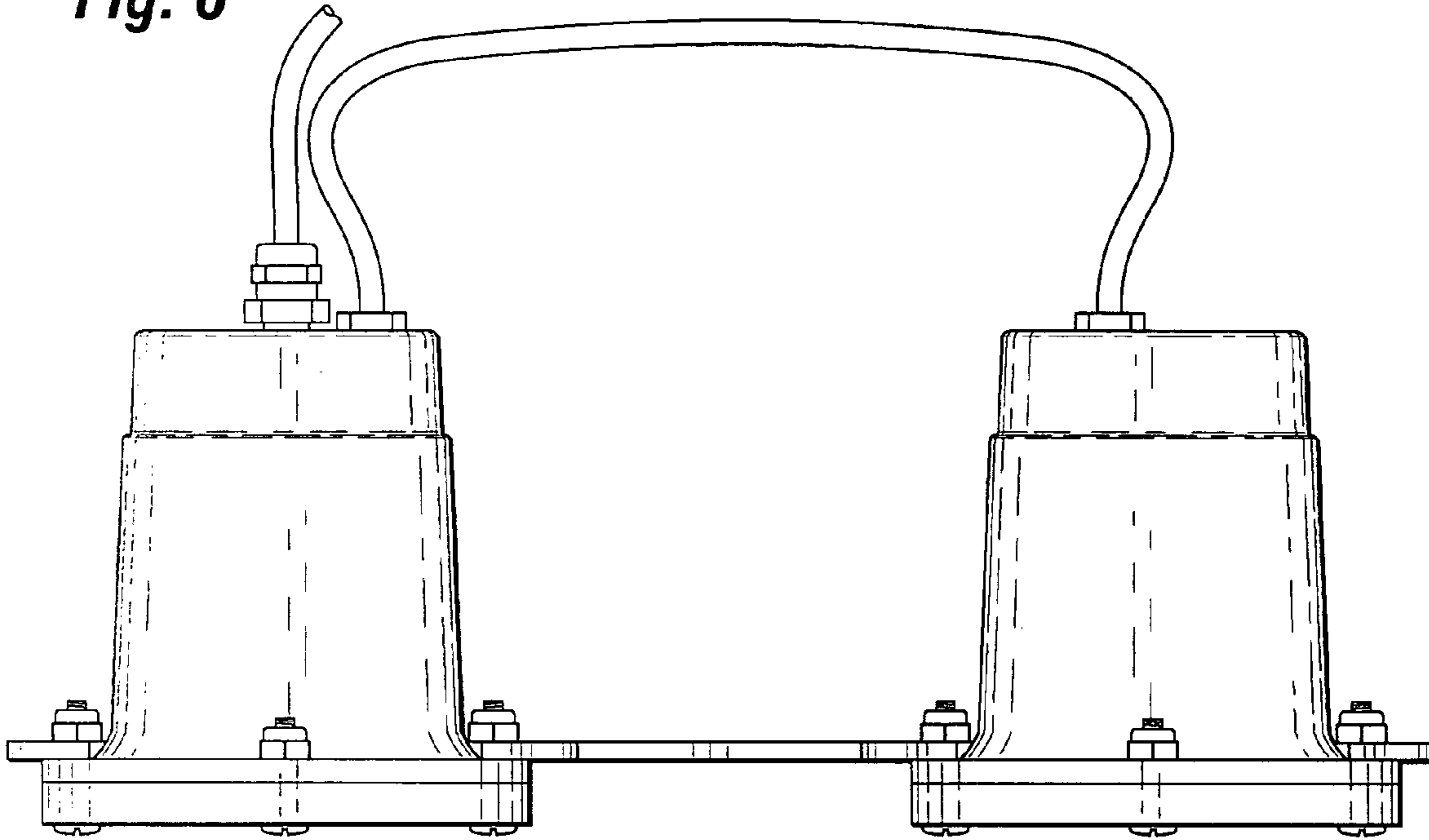
**Fig. 4**



**Fig. 5**



**Fig. 6**



**Fig. 7**

