



US00D557832S

(12) **United States Design Patent**
Higashikawa

(10) **Patent No.:** **US D557,832 S**

(45) **Date of Patent:** **** Dec. 18, 2007**

(54) **LIGHT ASSEMBLY OF WORK VEHICLE**

D542,443 S * 5/2007 Matsunami D26/28

(75) Inventor: **Yoshitaka Higashikawa**, Sakai (JP)

* cited by examiner

(73) Assignee: **Kubota Corporation**, Osaka (JP)

Primary Examiner—Marcus A. Jackson

(**) Term: **14 Years**

(74) *Attorney, Agent, or Firm*—The Webb Law Firm

(21) Appl. No.: **29/273,481**

(57) **CLAIM**

(22) Filed: **Mar. 6, 2007**

The ornamental design of a light assembly of work vehicle, as shown and described.

(30) **Foreign Application Priority Data**

DESCRIPTION

Sep. 29, 2006 (JP) 2006-026413

(51) **LOC (8) Cl.** **26-06**

FIG. 1 is a front perspective view of a light assembly of work vehicle;

(52) **U.S. Cl.** **D26/28**

FIG. 2 is a rear perspective view thereof;

(58) **Field of Classification Search** D26/28-36;

FIG. 3 is a front view thereof;

362/459-468, 475-478, 485-487

FIG. 4 is a rear view thereof;

See application file for complete search history.

FIG. 5 is a right side view thereof;

(56) **References Cited**

FIG. 6 is a left side view thereof;

U.S. PATENT DOCUMENTS

FIG. 7 is a top plan view thereof; and,

D483,134 S * 12/2003 Shih D26/28

FIG. 8 is a bottom view thereof.

D484,262 S * 12/2003 Liao D26/28

D528,683 S * 9/2006 Kato et al. D26/28

1 Claim, 8 Drawing Sheets

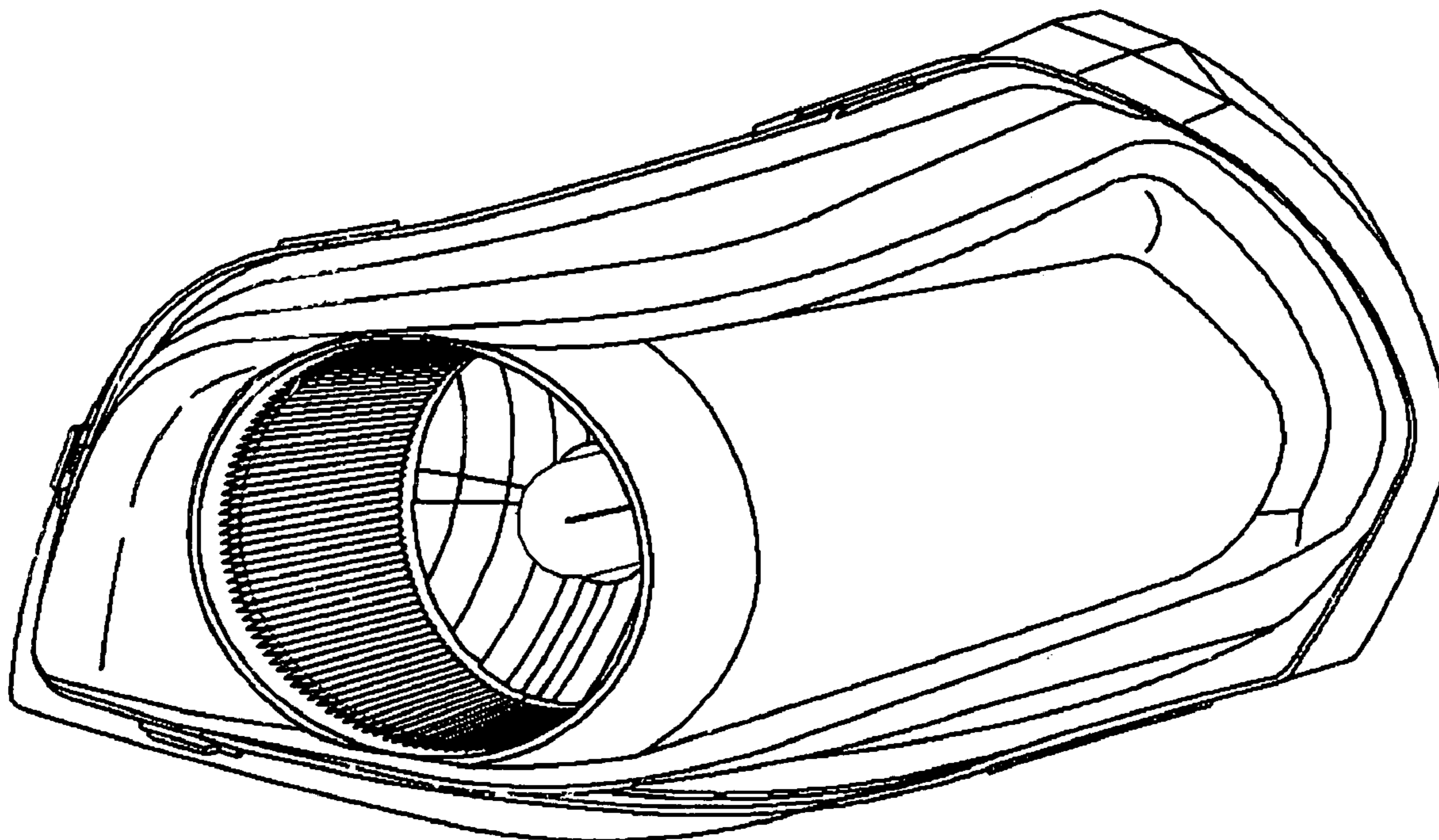


Fig. 1

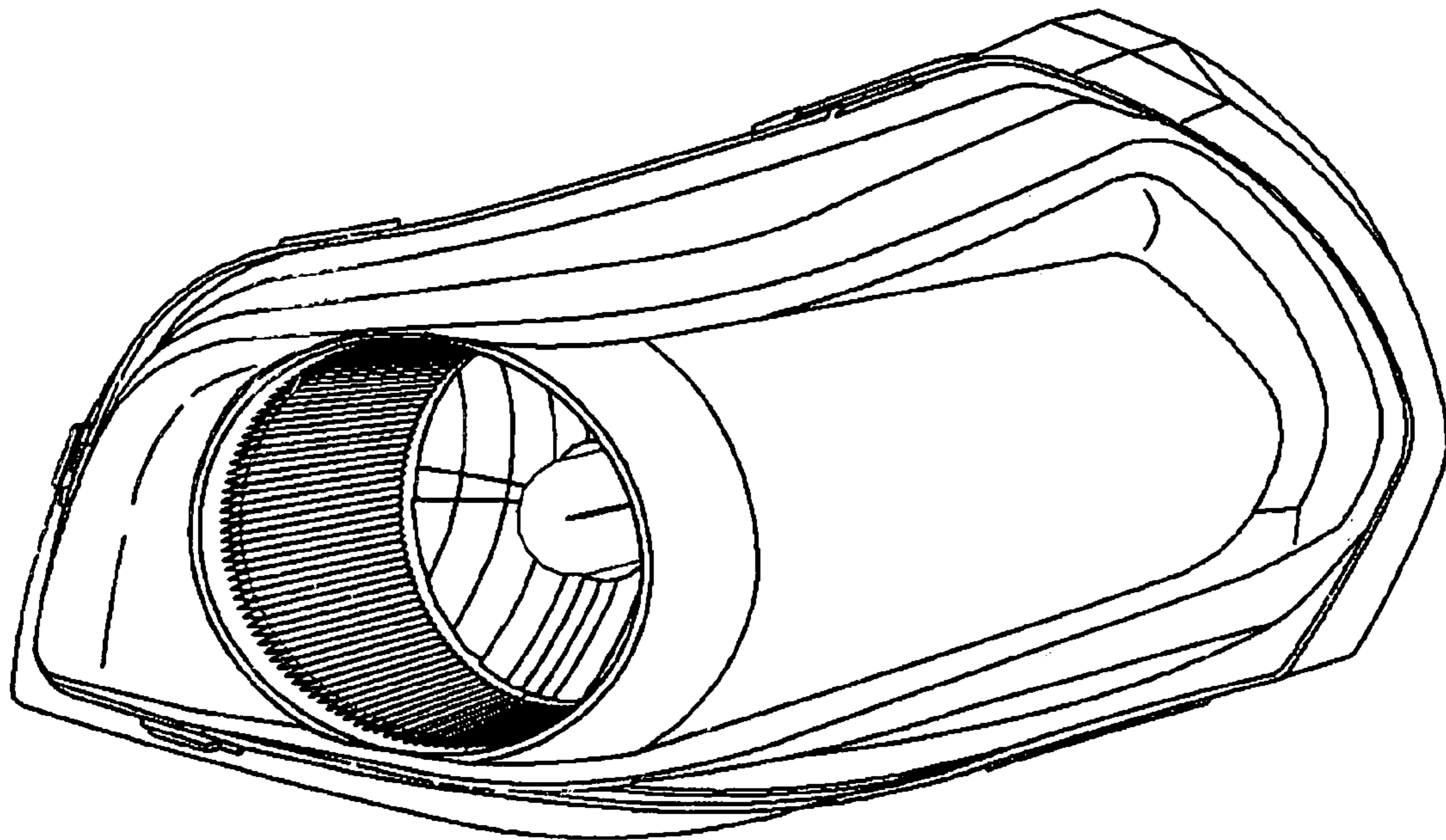


Fig. 2

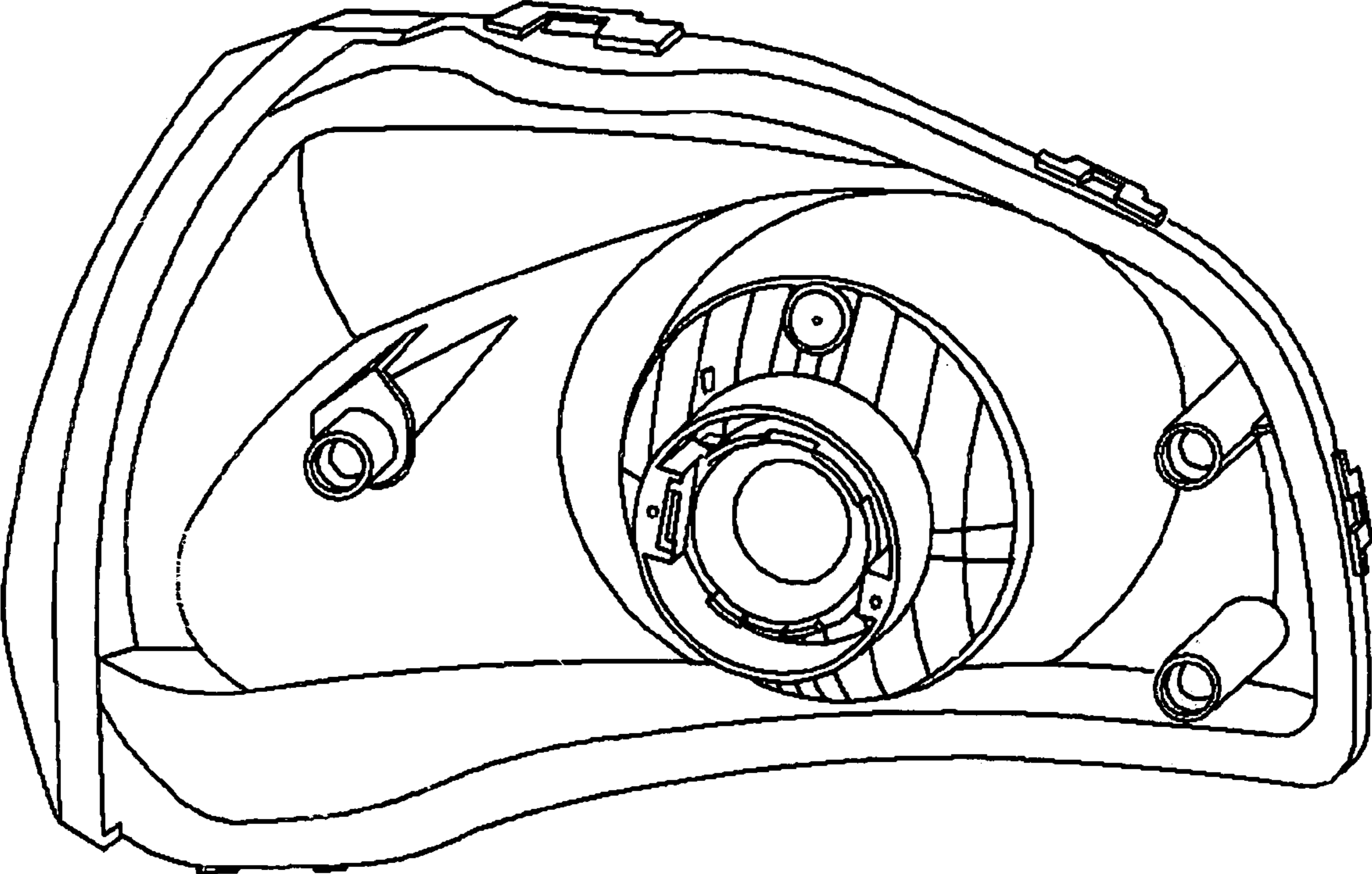


Fig 3

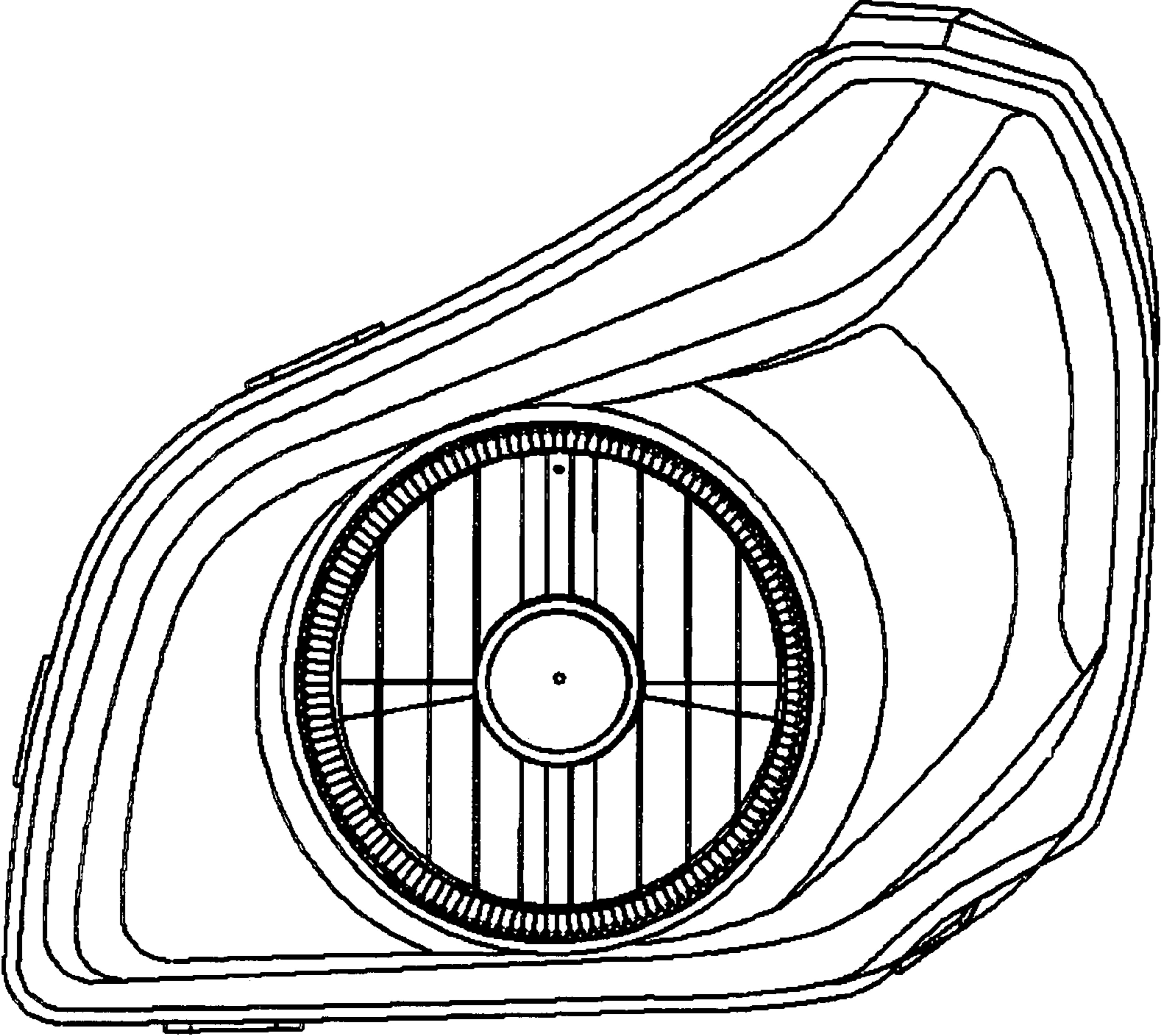


Fig 4

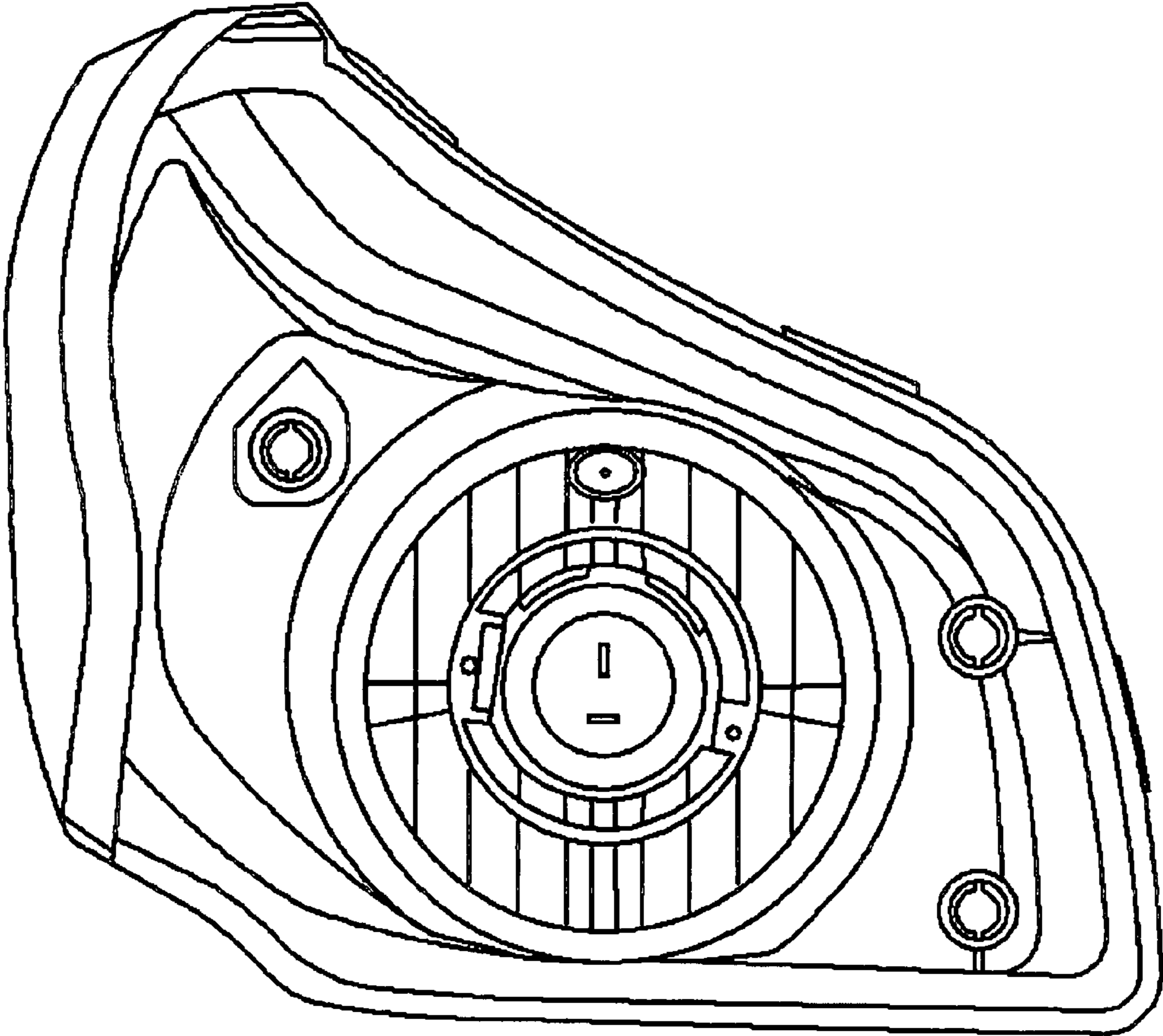


Fig. 5

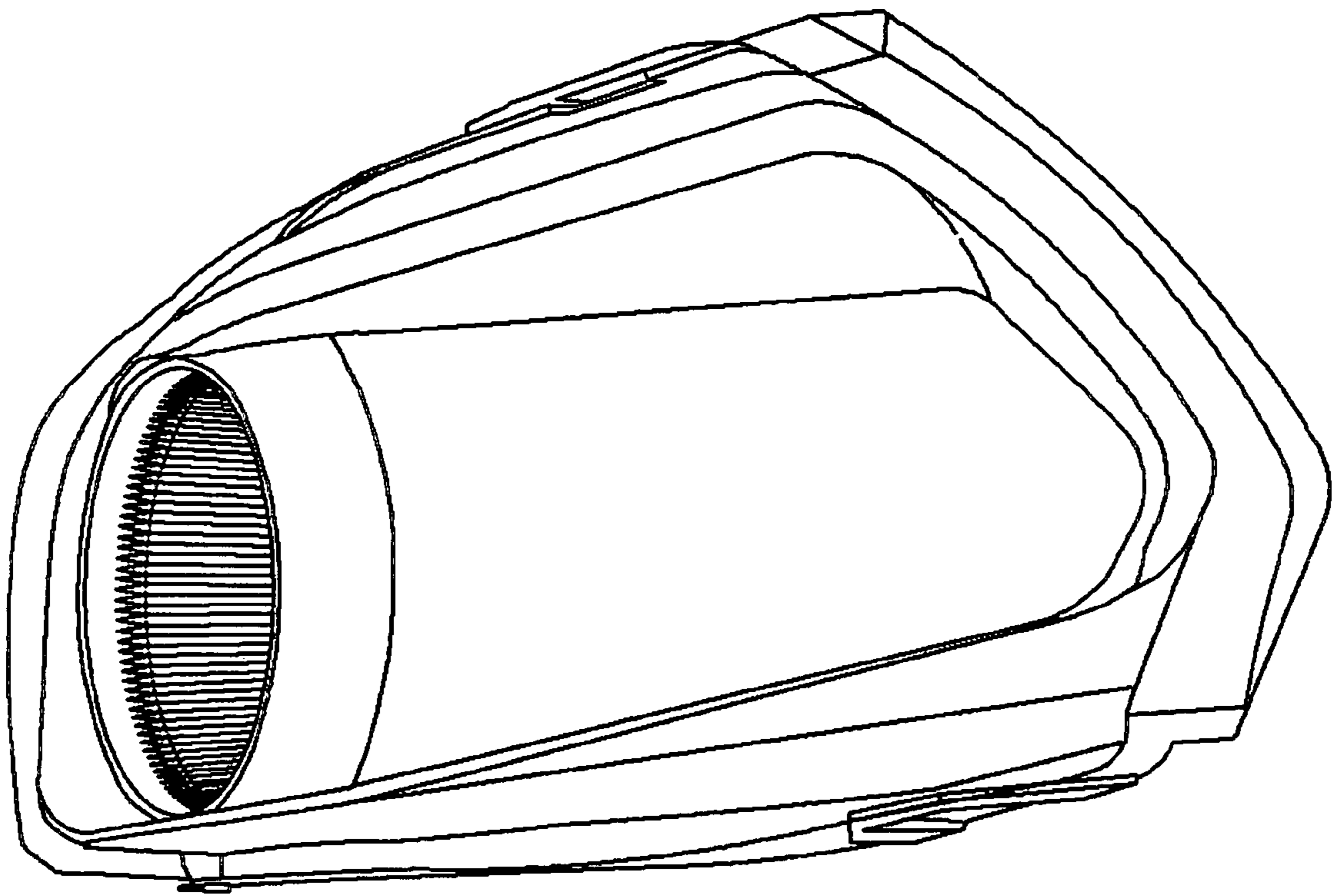


Fig. 6

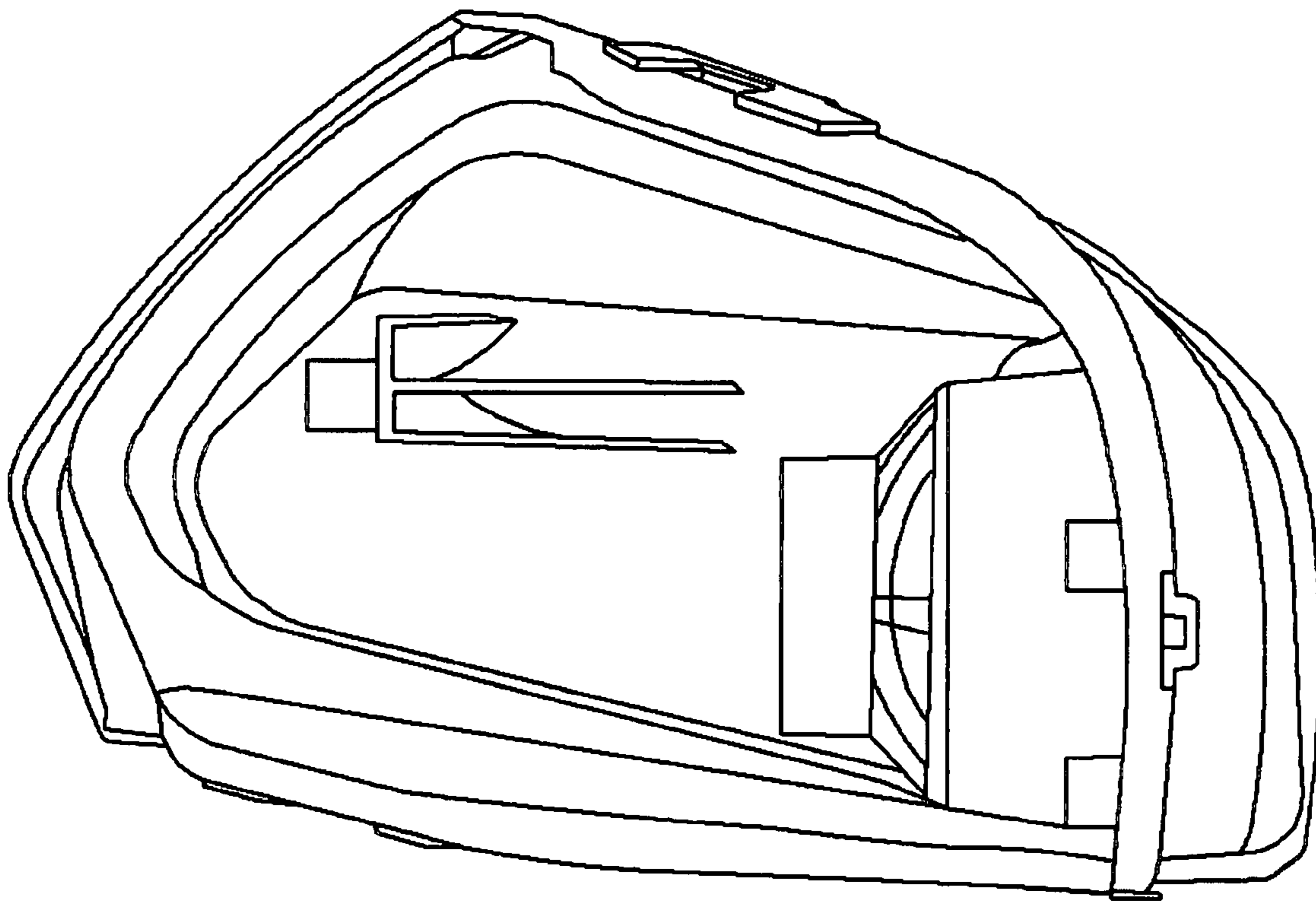


Fig. 7

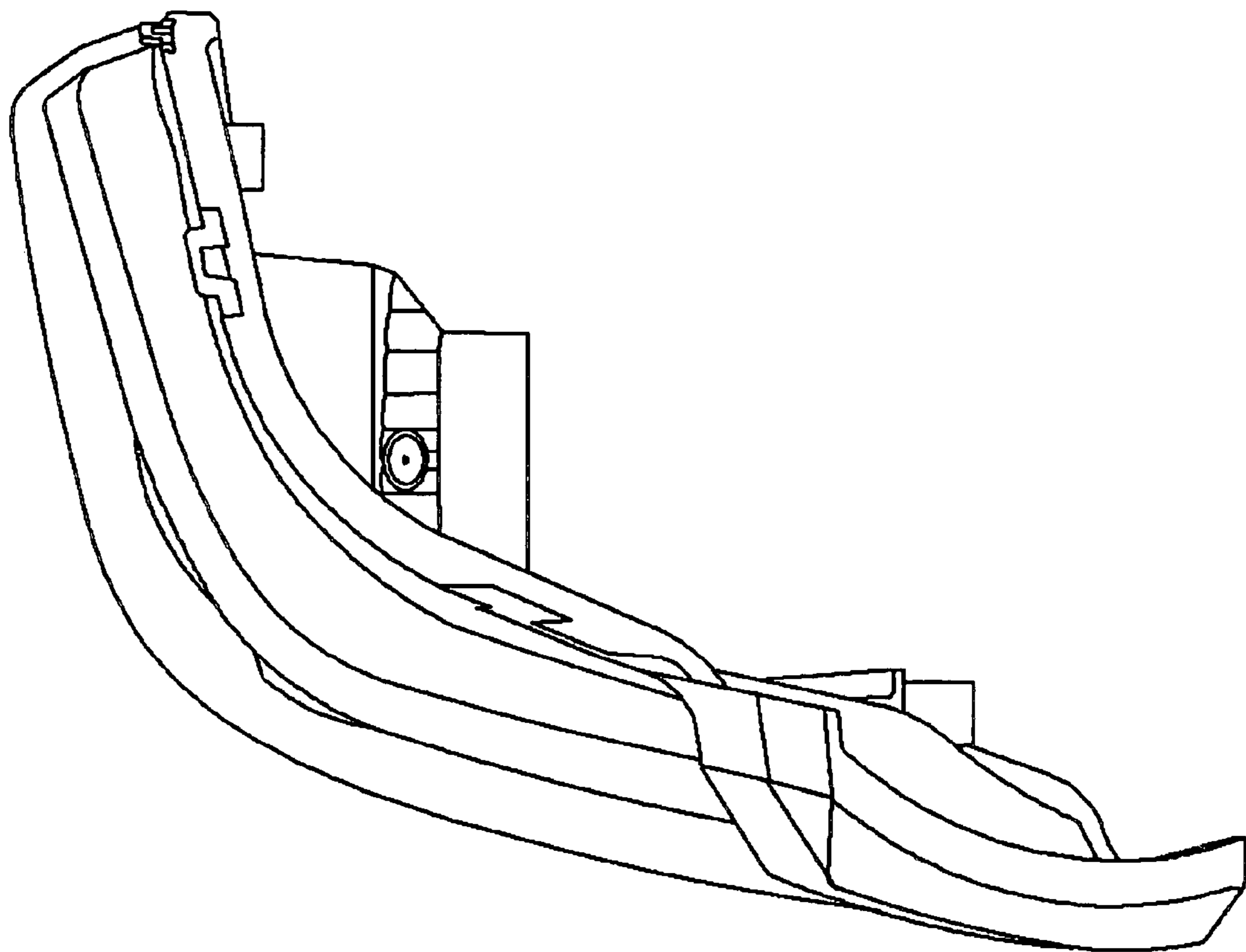


Fig. 8

