



US00D557830S

(12) **United States Design Patent**
Lee

(10) **Patent No.:** **US D557,830 S**
(45) **Date of Patent:** **** Dec. 18, 2007**

(54) **PAVER SUPPORT**

(76) Inventor: **Alan Sian Ghee Lee**, 21 Almond Crescent, Singapore 677779 (SG)

(**) Term: **14 Years**

(21) Appl. No.: **29/257,066**

(22) Filed: **Mar. 29, 2006**

(30) **Foreign Application Priority Data**

Nov. 3, 2005 (AU) 14870/2005

(51) **LOC (8) Cl.** **25-99**

(52) **U.S. Cl.** **D25/199**

(58) **Field of Classification Search** D8/349,
D8/354, 356, 380, 358, 359, 352, 355, 375,
D8/499; D10/74, 69, 66, 62; D34/31; 52/677,
52/684, 24; 248/346.01; 33/290, 286, 293,
33/365; D25/199, 138; 242/377, 378, 186.1,
242/676

See application file for complete search history.

(56) **References Cited**

U.S. PATENT DOCUMENTS

- 3,318,057 A * 5/1967 Norsworthy 52/126.6
- 3,471,987 A * 10/1969 Yelsma 52/684
- 3,861,098 A * 1/1975 Schaub 52/98
- D239,004 S * 3/1976 Chope D8/358
- D279,352 S * 6/1985 Mitchell et al. D8/354
- D327,637 S * 7/1992 Sanchez D8/358
- D334,133 S * 3/1993 Hartzheim D8/354
- 5,347,787 A * 9/1994 Gavin 52/677
- 5,479,745 A * 1/1996 Kawai et al. 52/126.6

- 5,564,669 A * 10/1996 Wu 248/346.01
- D435,430 S * 12/2000 Valentz et al. D8/349
- 6,363,685 B1 * 4/2002 Kugler 52/745.05
- D465,722 S * 11/2002 Shijyo D8/356
- 6,520,471 B2 * 2/2003 Jones et al. 248/346.5
- 6,592,093 B2 * 7/2003 Valentz 248/346.01
- 6,669,163 B2 * 12/2003 Davis, Jr. 248/346.01
- D505,630 S * 5/2005 Snider et al. D10/74
- 7,140,156 B1 * 11/2006 Lowe et al. 52/263

FOREIGN PATENT DOCUMENTS

AU 760000 5/2003

* cited by examiner

Primary Examiner—Robert M. Spear
Assistant Examiner—Anna K Dworzecka

(57) **CLAIM**

I claim, the ornamental design for a paver support, as shown and described.

DESCRIPTION

FIG. 1 is a top view of a paver support showing my new design;

FIG. 2 is a bottom view thereof;

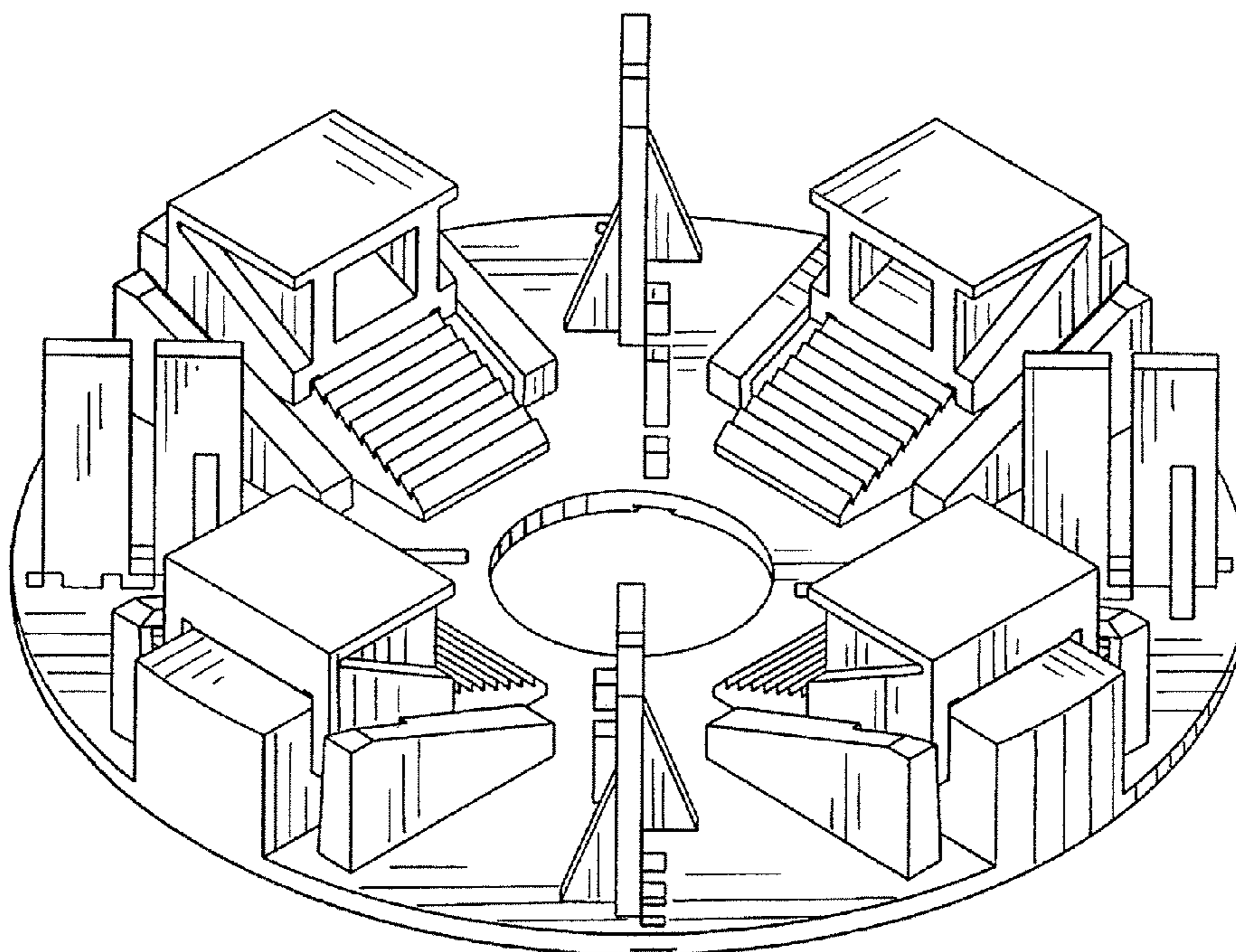
FIG. 3 is a side view thereof;

FIG. 4 is an isometric view thereof;

FIG. 5 is an isometric exploded view thereof; and,

FIG. 6 is an isometric view showing two chocks in an alternative position.

1 Claim, 6 Drawing Sheets



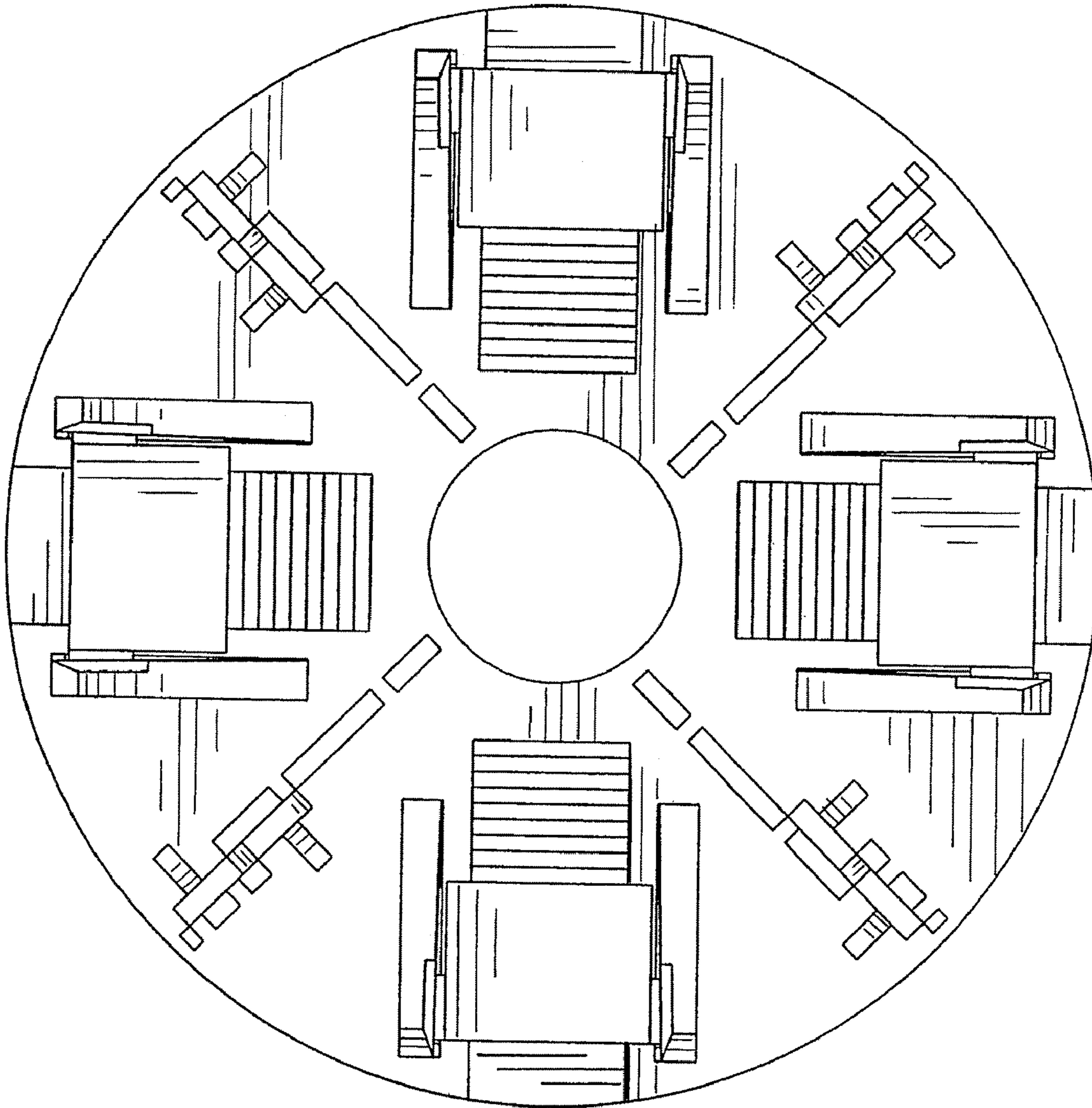


Figure 1

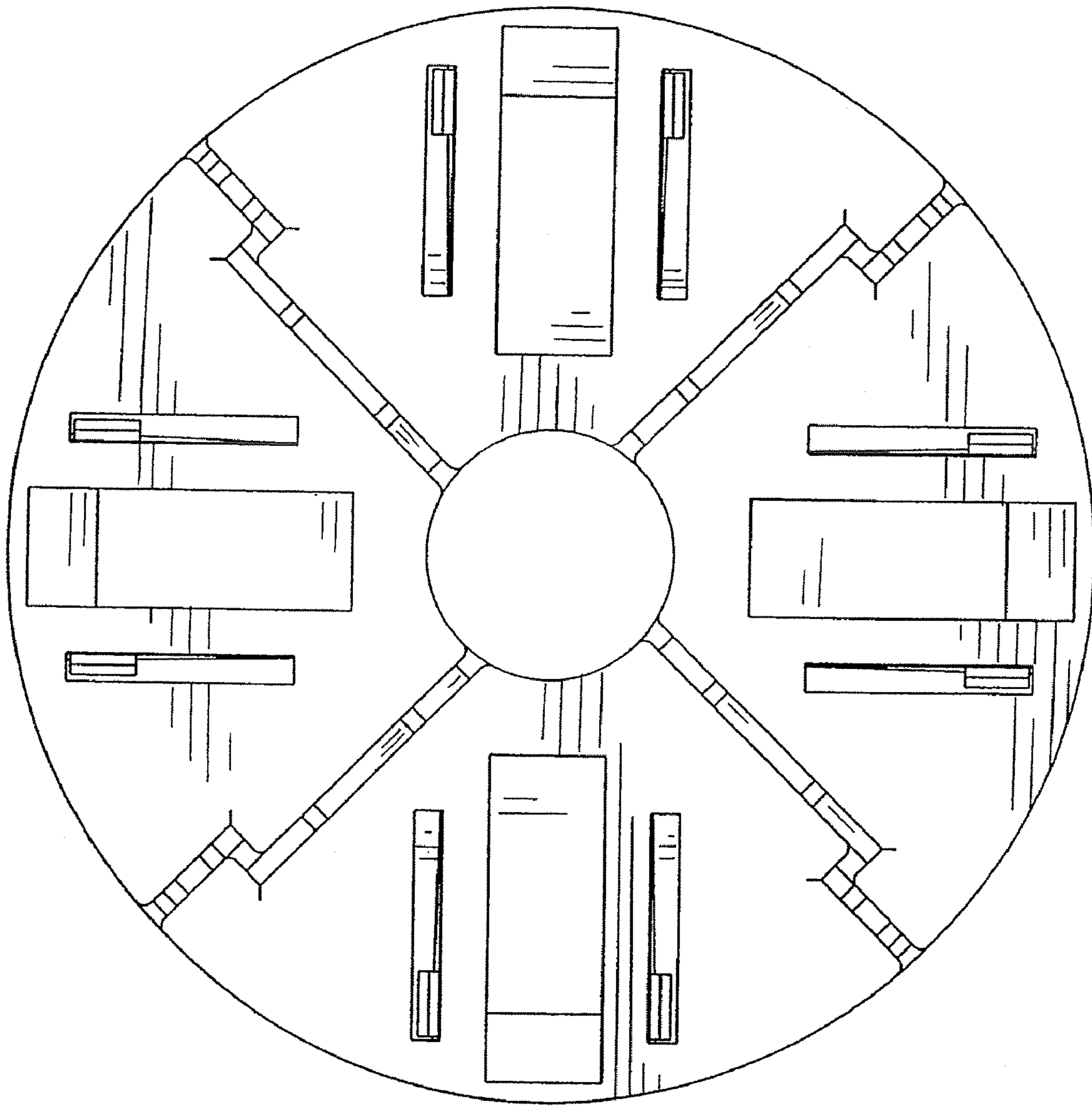


Figure 2

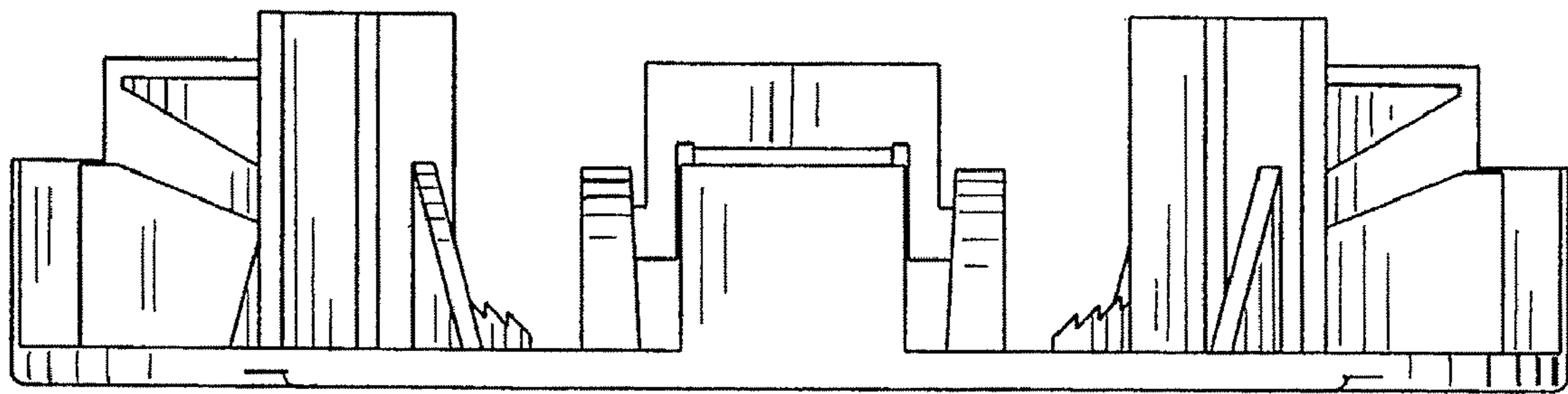


Figure 3

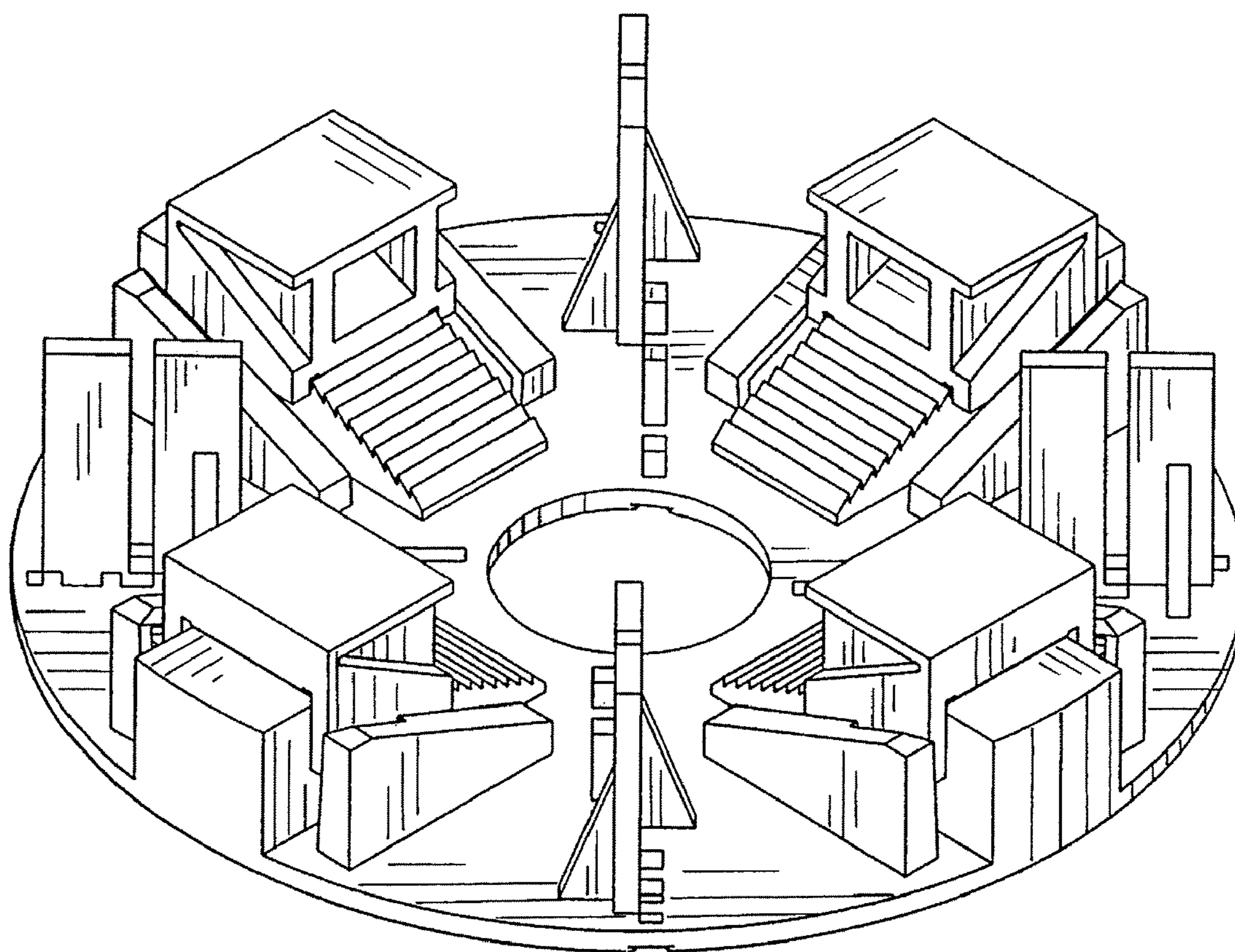


Figure 4

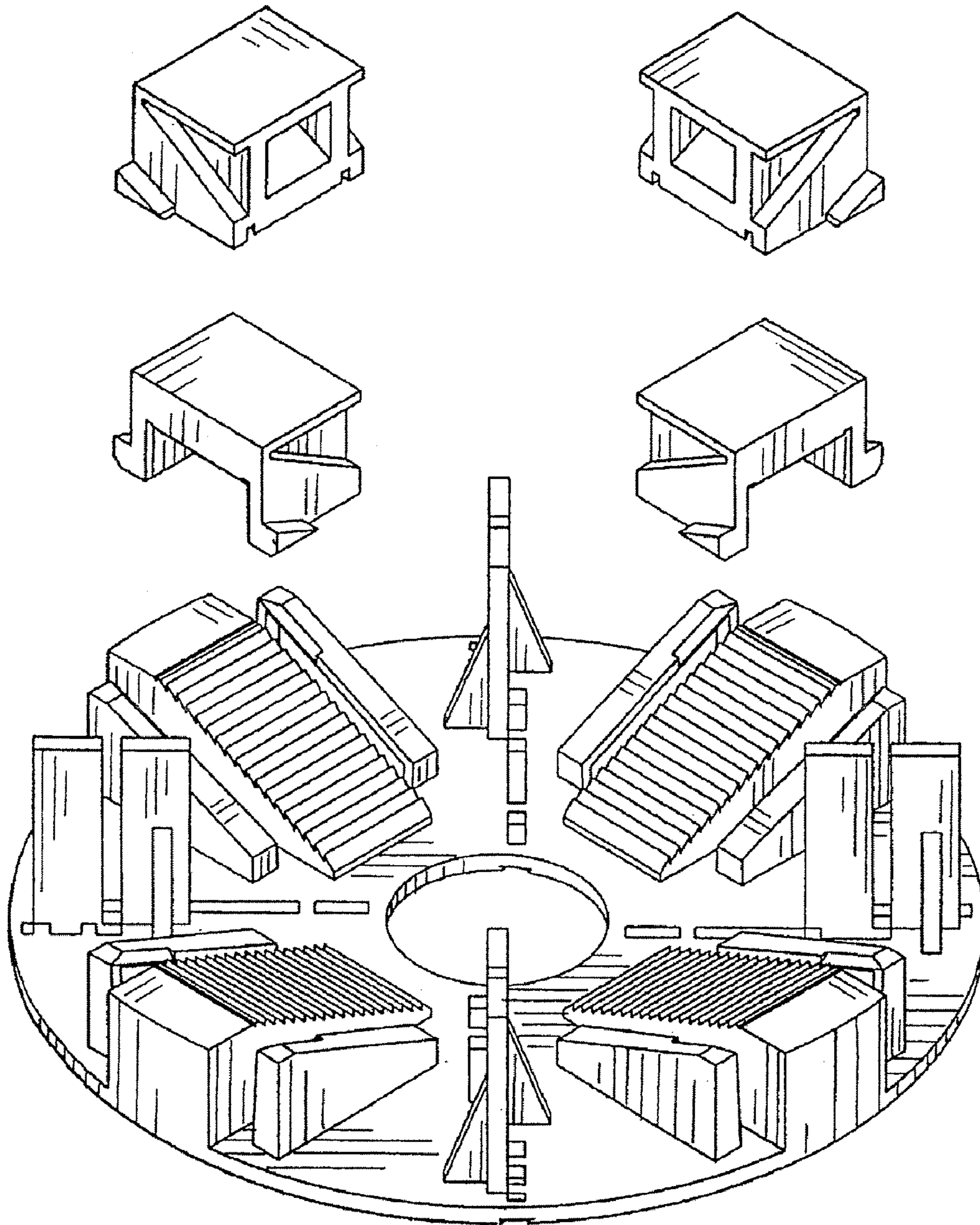


Figure 5

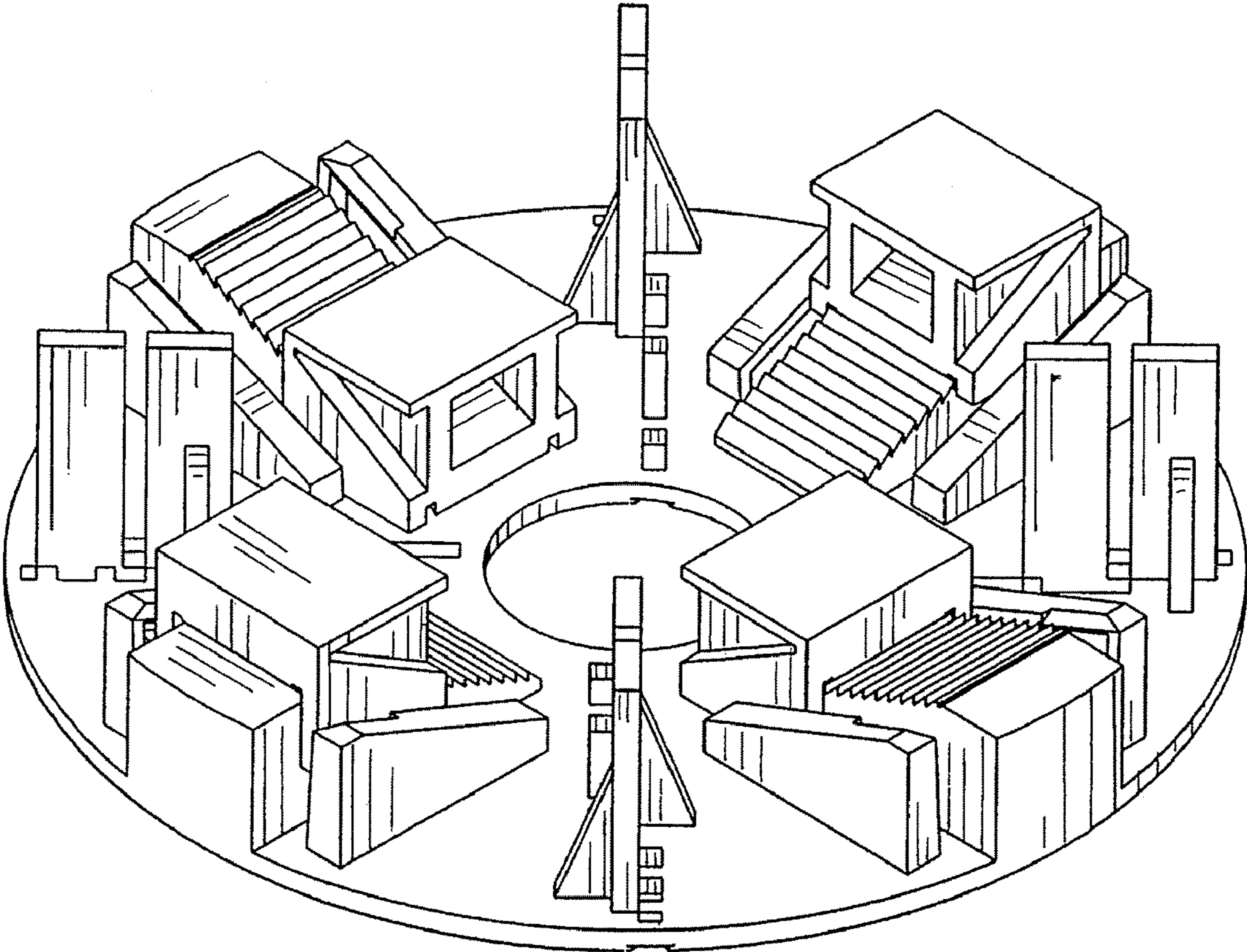


Figure 6