



US00D557816S

(12) **United States Design Patent**
Henderson et al.

(10) **Patent No.:** **US D557,816 S**

(45) **Date of Patent:** **** Dec. 18, 2007**

(54) **SPECIMEN SLIDE COVER**

AU 300482 S 1/2005

* cited by examiner

(75) Inventors: **Chester John Henderson**, Northcote (AU); **Jonathan McKinlay**, Hawthorn East (AU)

Primary Examiner—Ian Simmons

Assistant Examiner—Anhdao Doan

(74) *Attorney, Agent, or Firm*—Sughrue Mion Plc.

(73) Assignee: **Vision Biosystems Limited**, Victoria (AU)

(57) **CLAIM**

(**) Term: **14 Years**

The ornamental design for a specimen slide cover, as shown and described.

(21) Appl. No.: **29/220,602**

(22) Filed: **Jan. 4, 2005**

DESCRIPTION

(51) **LOC (8) Cl.** **24-01**

FIG. 1 is a perspective view of the top, front and right side of the specimen slide cover;

(52) **U.S. Cl.** **D24/225**

FIG. 2 is a perspective view of the bottom, front and right side thereof;

(58) **Field of Classification Search** D24/216–230; 422/99–102, 104, 58; 435/288.3, 288.4; 356/246; 359/391, 397, 398

FIG. 3 is a rear elevational view thereof;

FIG. 4 is a top plan view thereof;

See application file for complete search history.

FIG. 5 is a bottom plan view thereof;

FIG. 6 is a right elevational view thereof; and,

FIG. 7 is a left elevational view thereof.

(56) **References Cited**

U.S. PATENT DOCUMENTS

D227,360 S * 6/1973 Lou D24/225

D382,062 S * 8/1997 Stevens et al. D24/225

D480,149 S * 9/2003 Dawson et al. D24/224

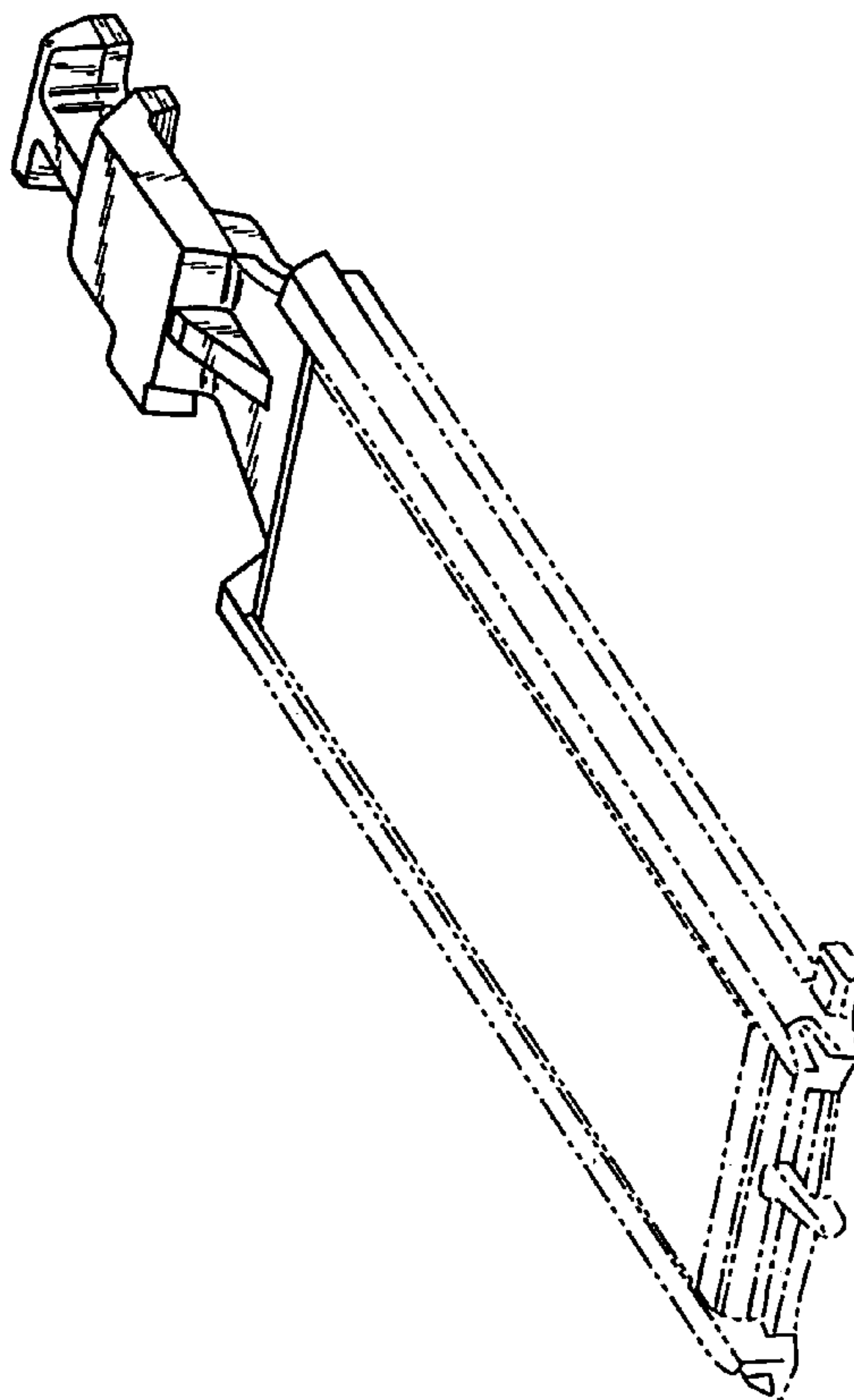
D495,425 S 8/2004 Goris et al.

The broken lines immediately adjacent the shaded areas represent the bounds of the claimed design while all other broken lines are directed to environment and are for illustrative purposes only; the broken lines form no part of the claimed design.

FOREIGN PATENT DOCUMENTS

AU 156081 S 8/2004

1 Claim, 7 Drawing Sheets



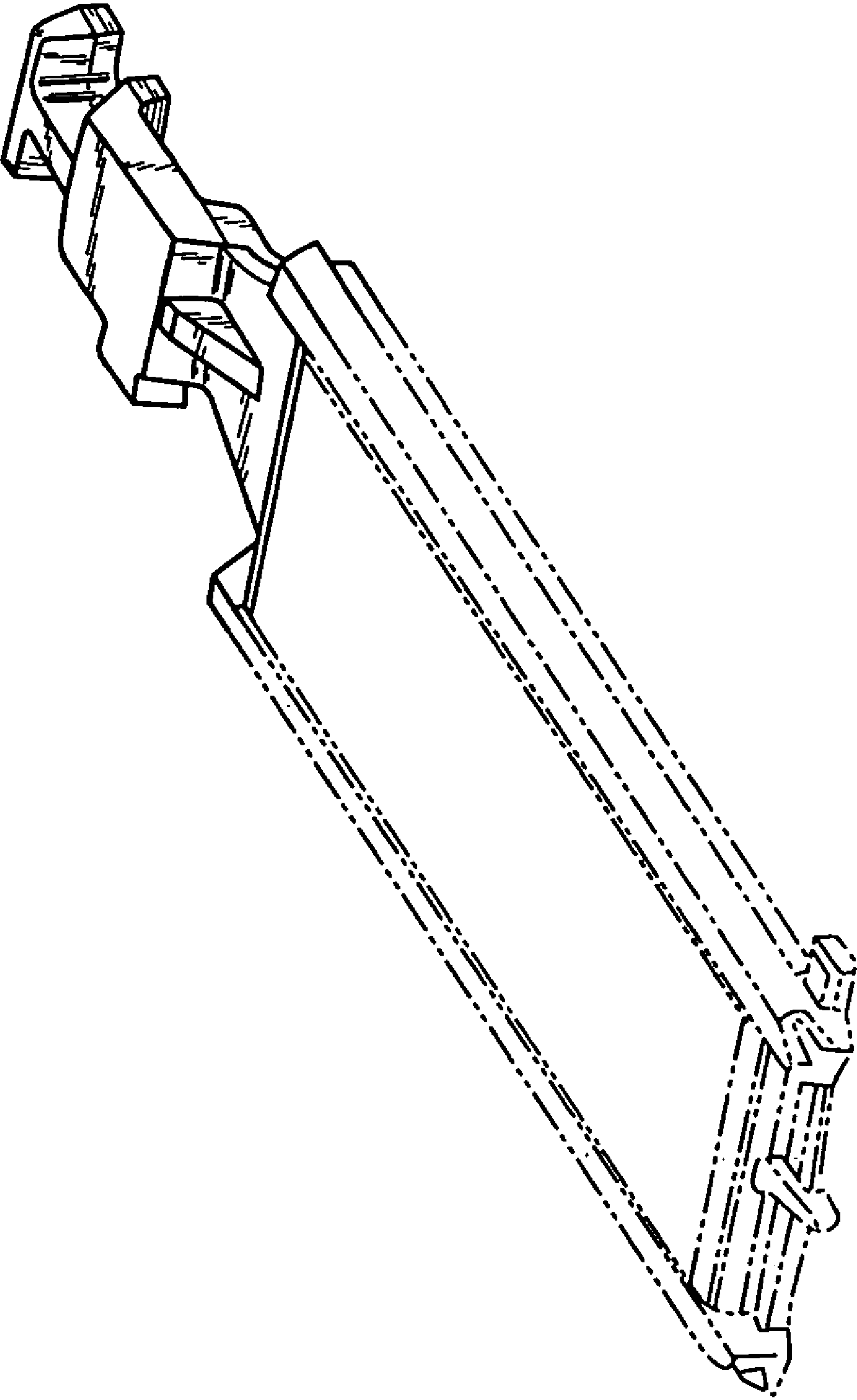


Fig. 1

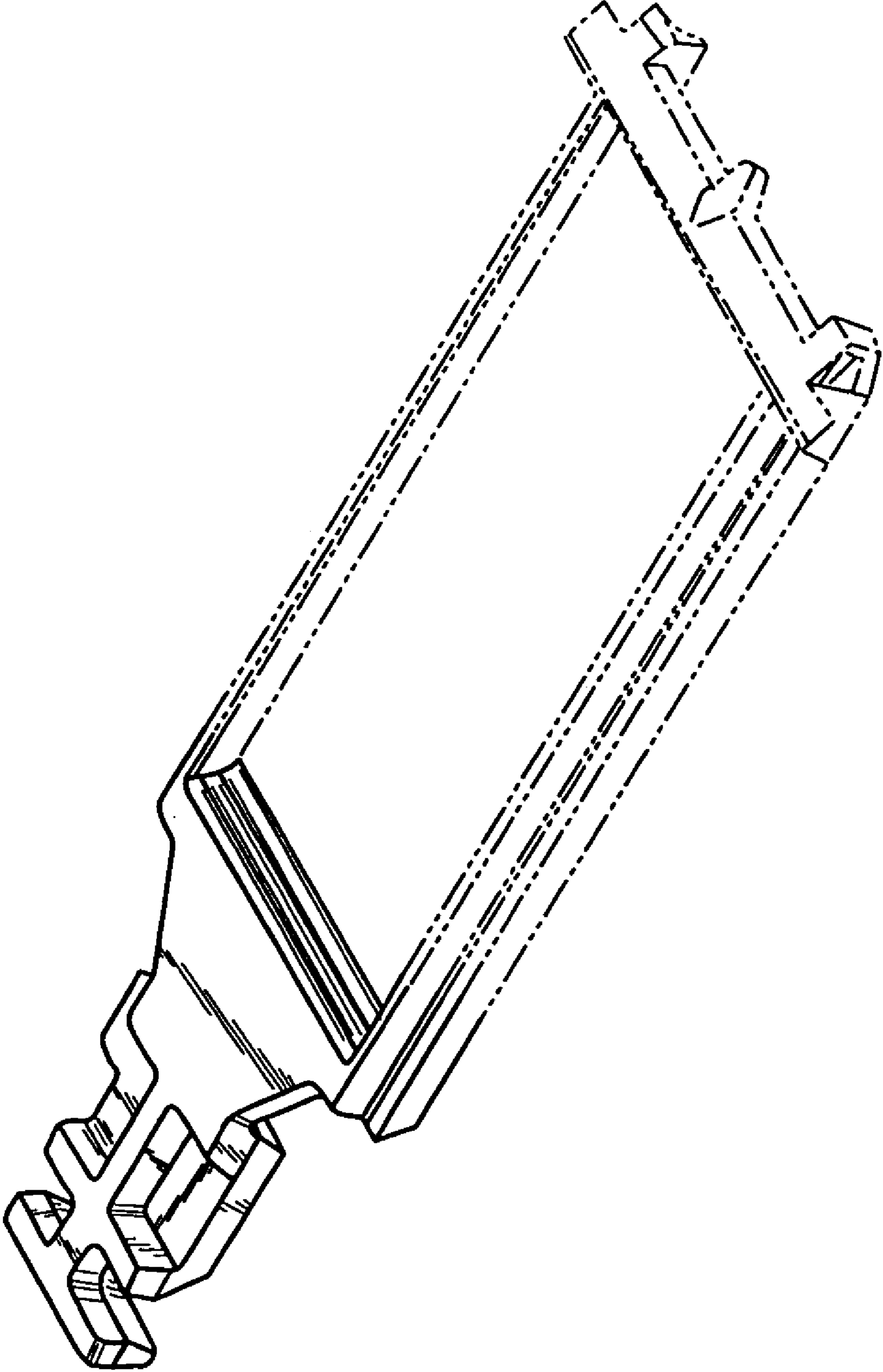


Fig. 2

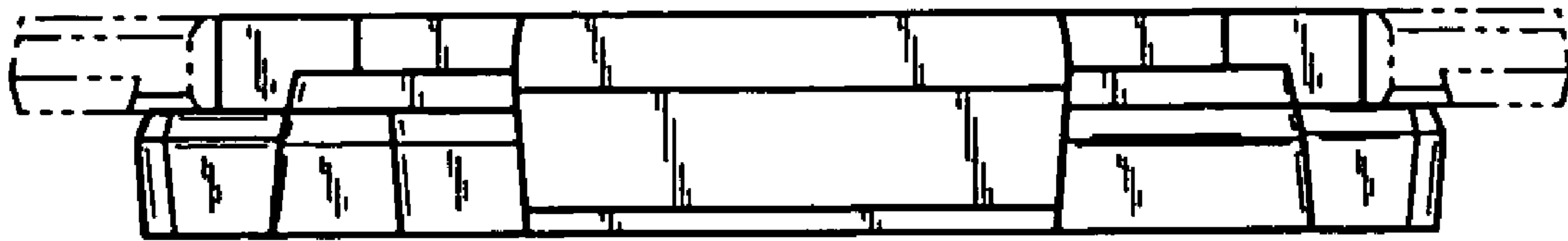


Fig. 3

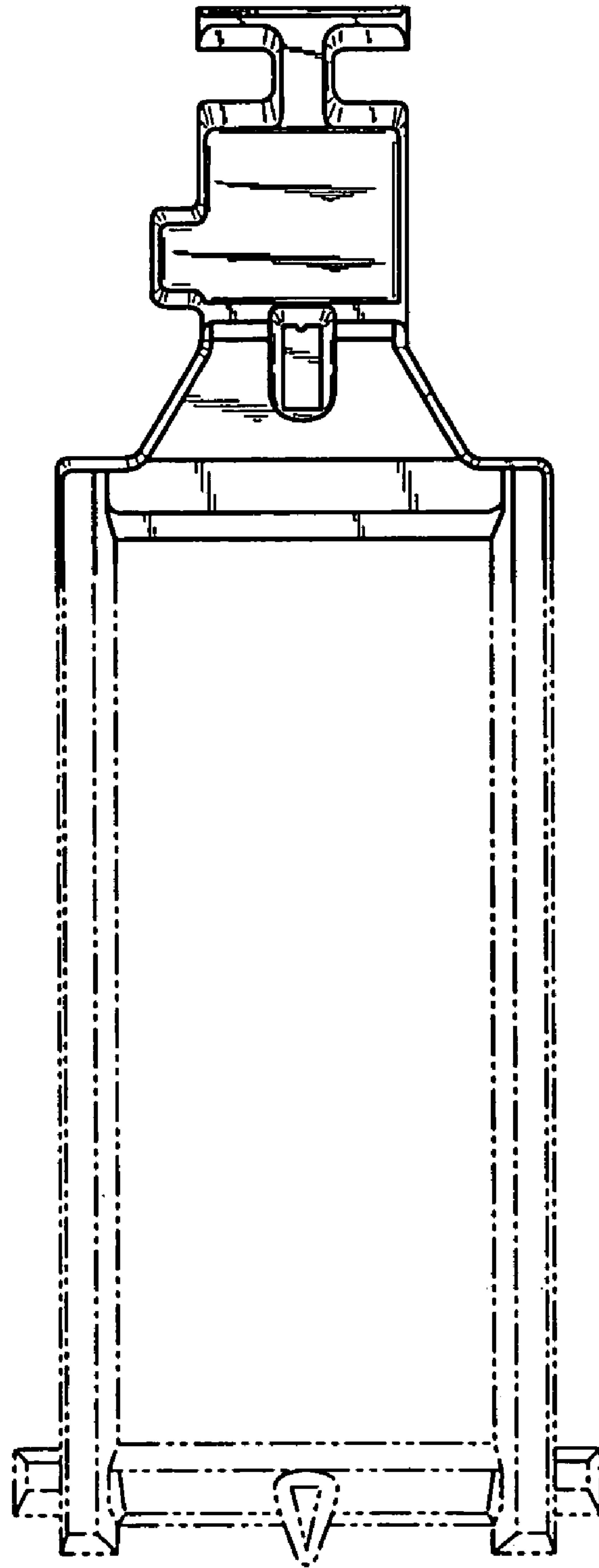


Fig. 4

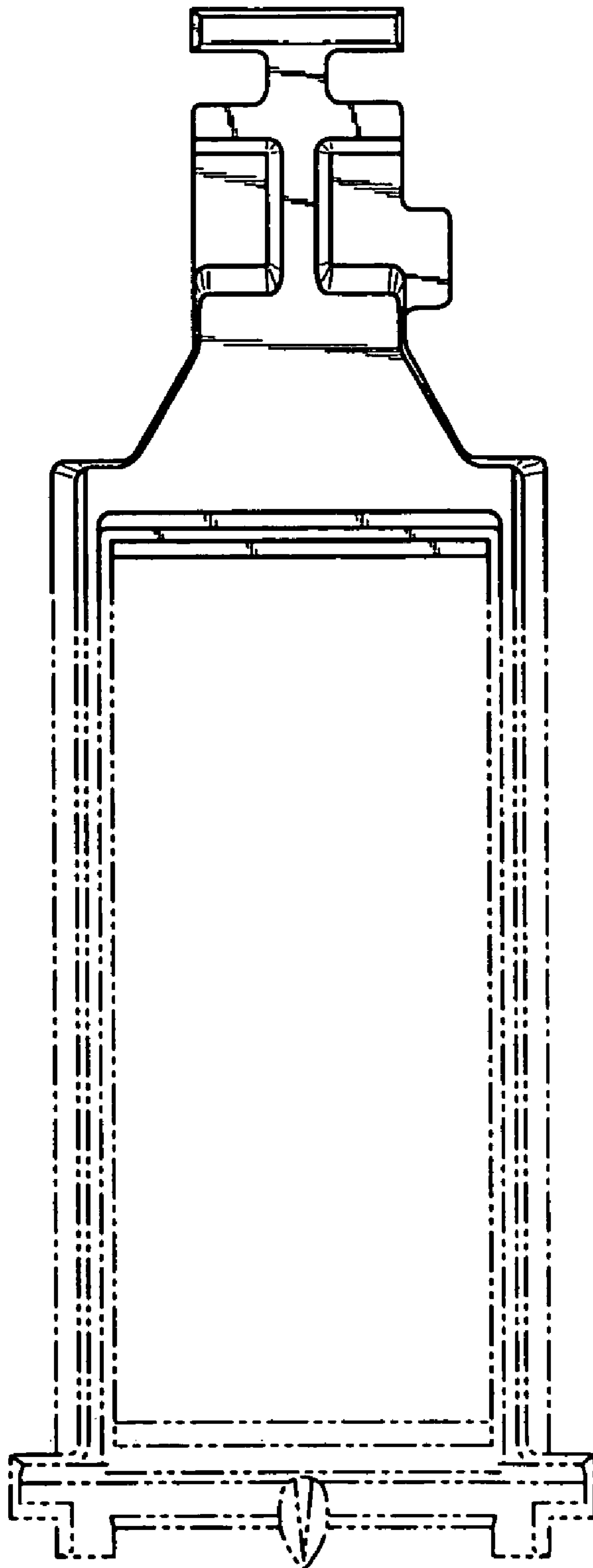


Fig. 5

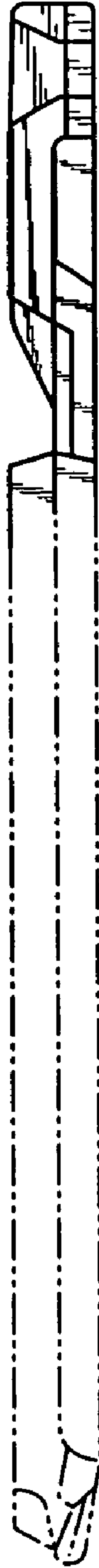


Fig. 6



Fig. 7