



US00D557815S

(12) **United States Design Patent** (10) **Patent No.:** **US D557,815 S**
Lee et al. (45) **Date of Patent:** **** Dec. 18, 2007**

(54) **HANDHELD MEDICAL TEST DEVICE WITH REMOVABLE CAP**

(75) Inventors: **Tony Lee**, Worcester (GB); **Mette Flakstad**, London (GB)

(73) Assignee: **Inverness Medical Switzerland GmbH**, Zug (CH)

(**) Term: **14 Years**

(21) Appl. No.: **29/249,787**

(22) Filed: **Oct. 20, 2006**

Related U.S. Application Data

(63) Continuation of application No. 29/227,105, filed on Apr. 6, 2005, now Pat. No. Des. 530,825.

Foreign Application Priority Data

Oct. 6, 2004 (GB) 3018981

(51) **LOC (8) Cl.** **24-02**

(52) **U.S. Cl.** **D24/223**

(58) **Field of Classification Search** D24/186,
D24/216, 223-225; 422/56, 58, 61; 436/514,
436/518

See application file for complete search history.

(56) **References Cited**

U.S. PATENT DOCUMENTS

D310,265 S 8/1990 Mochnal et al.
D341,663 S 11/1993 Coulter
D369,868 S 5/1996 Nazareth et al.
5,622,871 A 4/1997 May et al.
D379,662 S 6/1997 Pearson et al.
D379,663 S 6/1997 Pearson et al.
D383,549 S 9/1997 Arnett et al.
D390,667 S 2/1998 Nazareth
D394,317 S 5/1998 Carp

D412,990 S 8/1999 Woolston et al.
D421,310 S 2/2000 Shantz
6,046,057 A 4/2000 Nazareth et al.
6,146,590 A 11/2000 Mazurek et al.
6,303,081 B1 10/2001 Mink et al.
6,372,516 B1 4/2002 Sun
6,669,908 B2 12/2003 Weyker et al.

(Continued)

OTHER PUBLICATIONS

U.S. Appl. No. 29/227,103, filed Apr. 6, 2005, Tony Lee.
U.S. Appl. No. 29/247,397, filed Jun. 15, 2006, Tony Lee.

Primary Examiner—Robert A. Delehanty
Assistant Examiner—Mark Cavanna

(74) *Attorney, Agent, or Firm*—Scott E. Kamholz; Foley Hoag LLP

(57) **CLAIM**

The ornamental design for a handheld medical test device with removable cap, as shown and described.

DESCRIPTION

FIG. 1 is a top plan view of a handheld medical test device with removable cap showing the design;

FIG. 2 is a bottom plan view thereof;

FIG. 3 is a left side elevation view thereof, the right side being a mirror image thereof;

FIG. 4 is a front elevation view of the design;

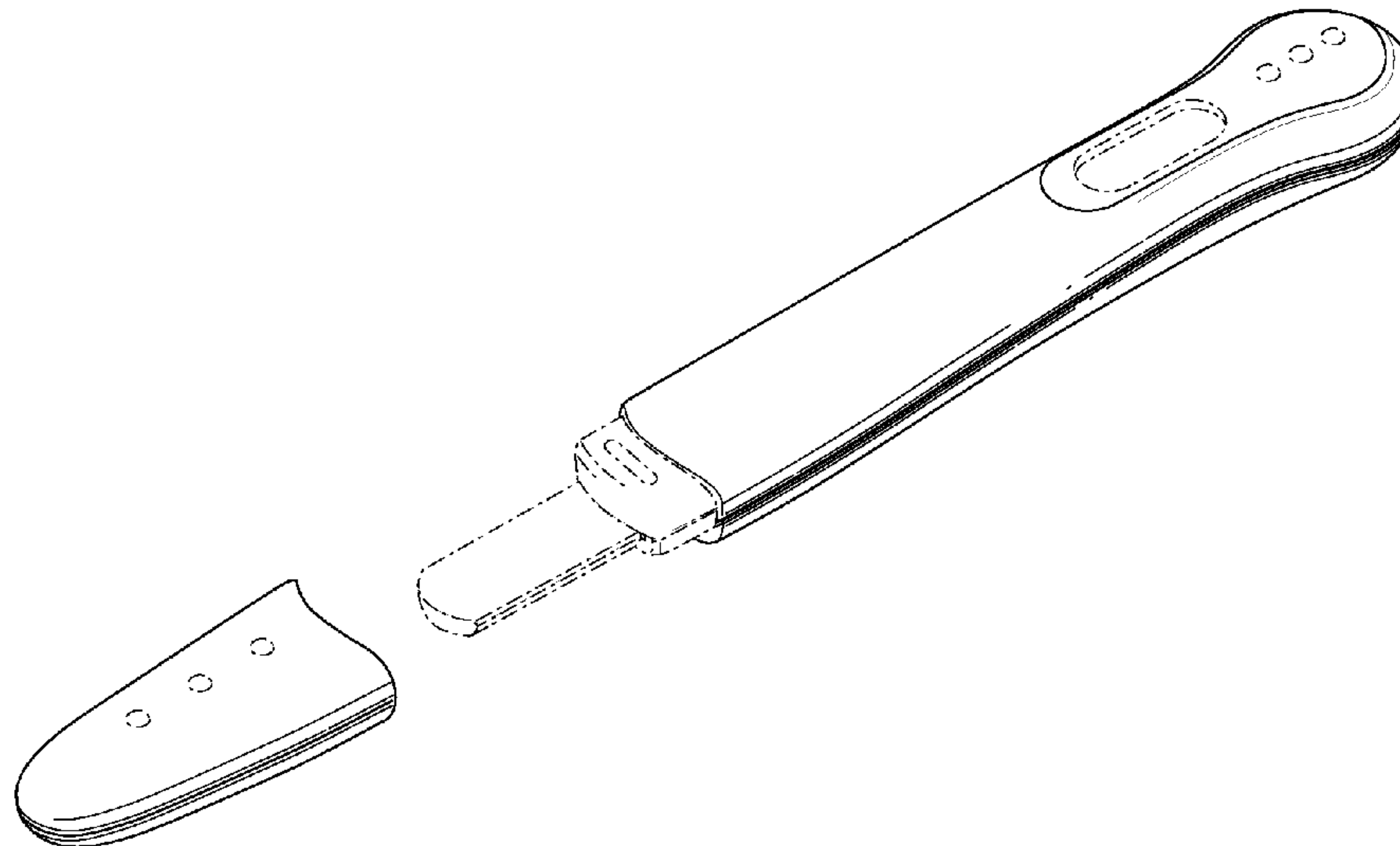
FIG. 5 is a rear elevation view thereof;

FIG. 6 is a perspective view of the top and left side thereof; and,

FIG. 7 is another perspective view of the handheld medical test device with its cap removed.

Broken lines shown in the drawings are for illustrative purposes only and do not form part of the claimed design.

1 Claim, 2 Drawing Sheets



US D557,815 S

Page 2

U.S. PATENT DOCUMENTS

6,740,293	B1	5/2004	Deng	D511,574	S	11/2005	Wendling	
D491,274	S	6/2004	Dubniczki et al.	D512,156	S	11/2005	Wendling	
6,767,714	B2	7/2004	Nazareth et al.	6,998,273	B1	2/2006	Fleming et al.	
D493,893	S	8/2004	Wang	7,045,342	B2	5/2006	Nazareth et al.	
D497,673	S	10/2004	Long et al.	D523,964	S	*	6/2006	Phelan et al. D24/223
D497,999	S	11/2004	Long et al.	D530,825	S	*	10/2006	Lee et al. D24/223
D499,812	S	12/2004	Wu et al.	D537,167	S	*	2/2007	Sigel et al. D24/223
6,855,561	B2	2/2005	Jerome et al.	D537,168	S	*	2/2007	Sigel et al. D24/223
6,867,051	B1	3/2005	Anderson et al.	D537,169	S	*	2/2007	Sigel et al. D24/223
D509,901	S	9/2005	Phelan et al.	D537,531	S	*	2/2007	Sigel et al. D24/223
6,951,631	B1	10/2005	Catt et al.					

* cited by examiner

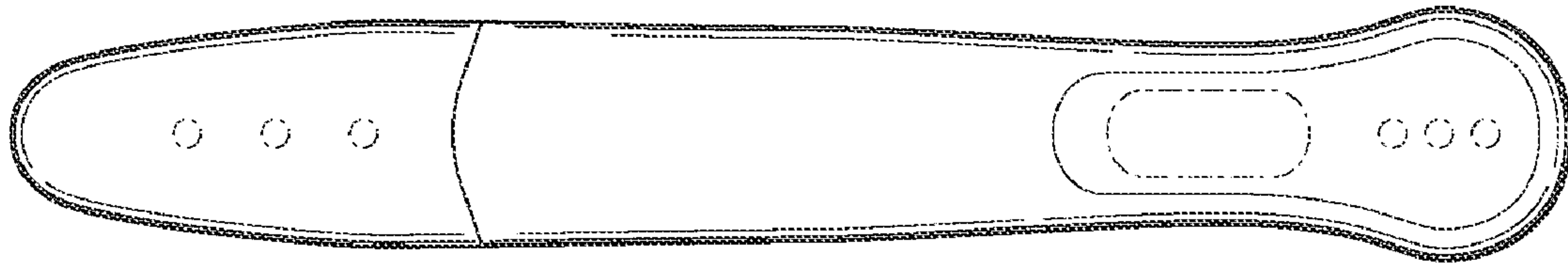


Fig. 1

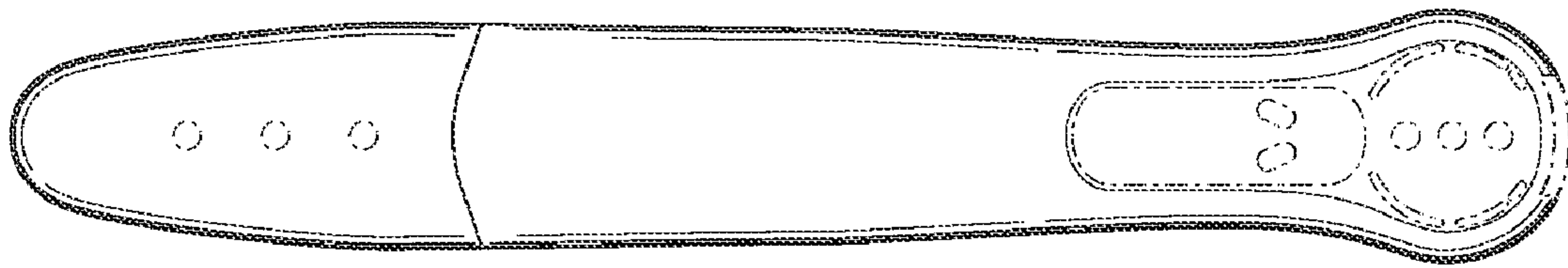


Fig. 2

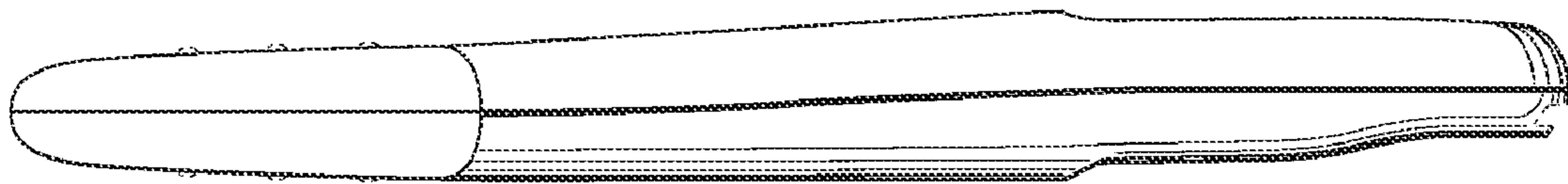


Fig. 3

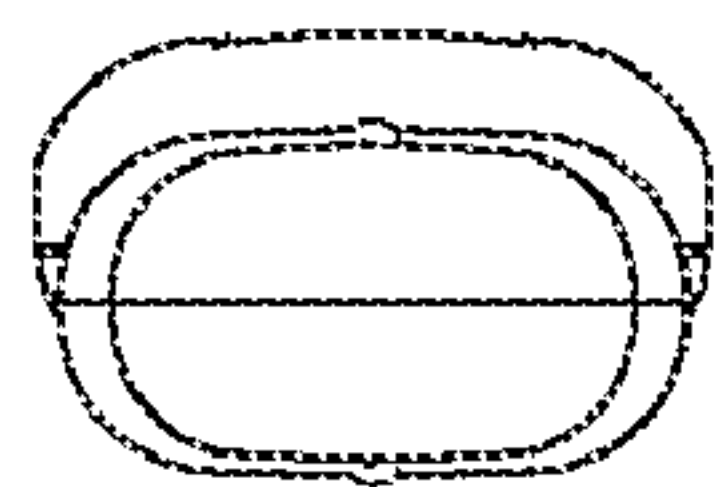


Fig. 4

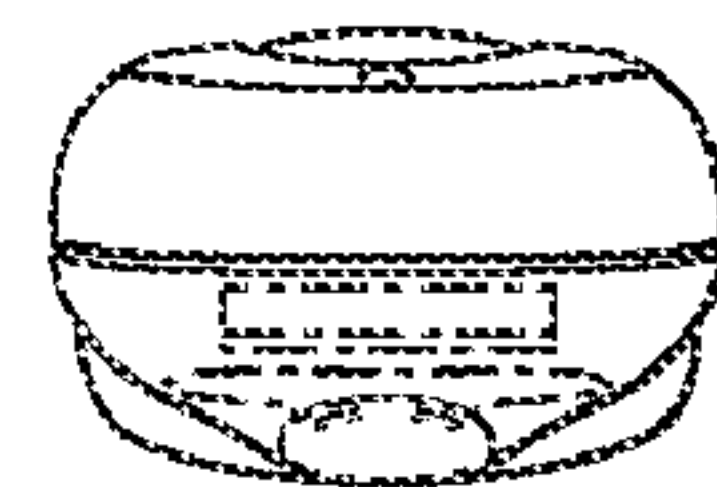


Fig. 5

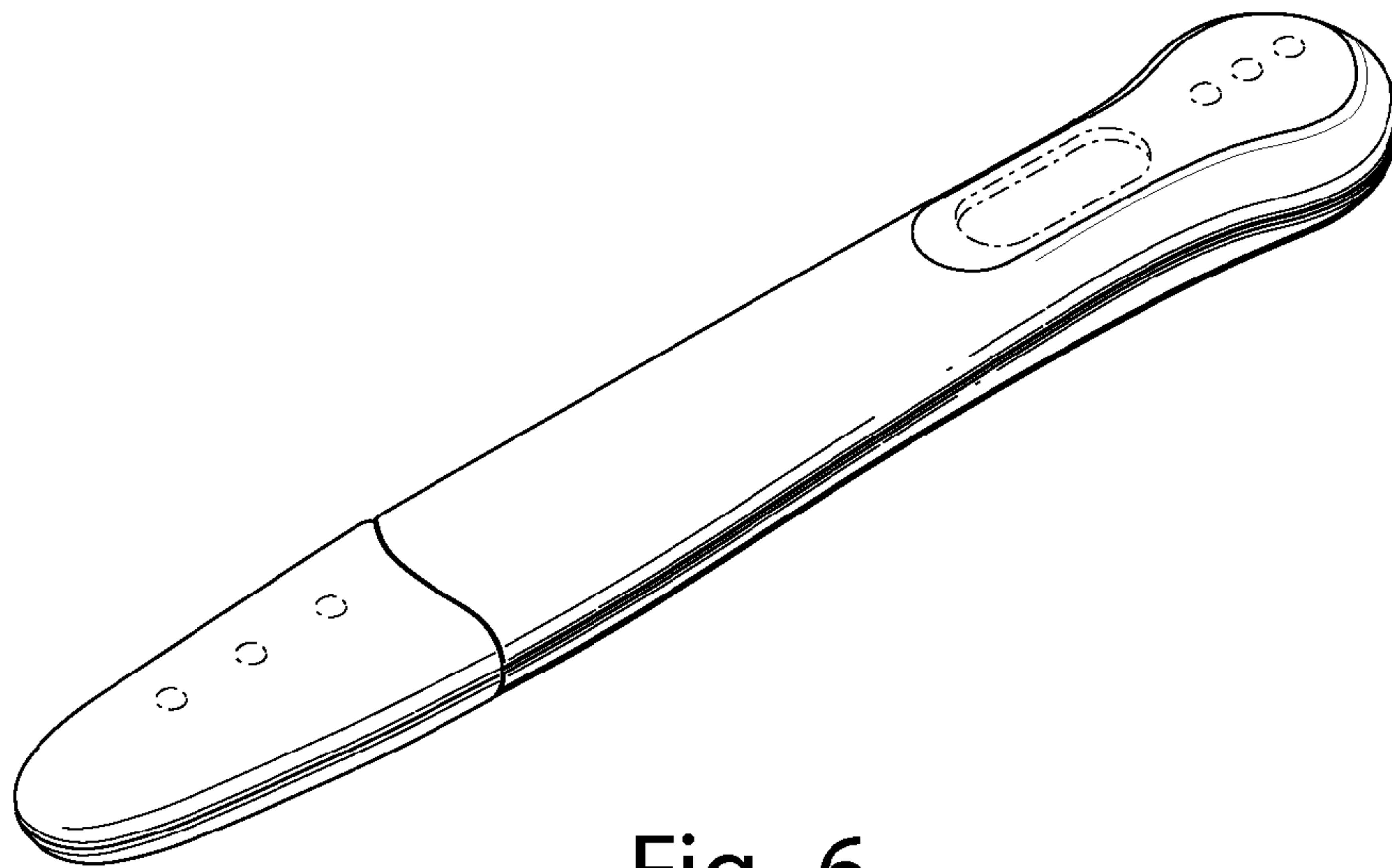


Fig. 6

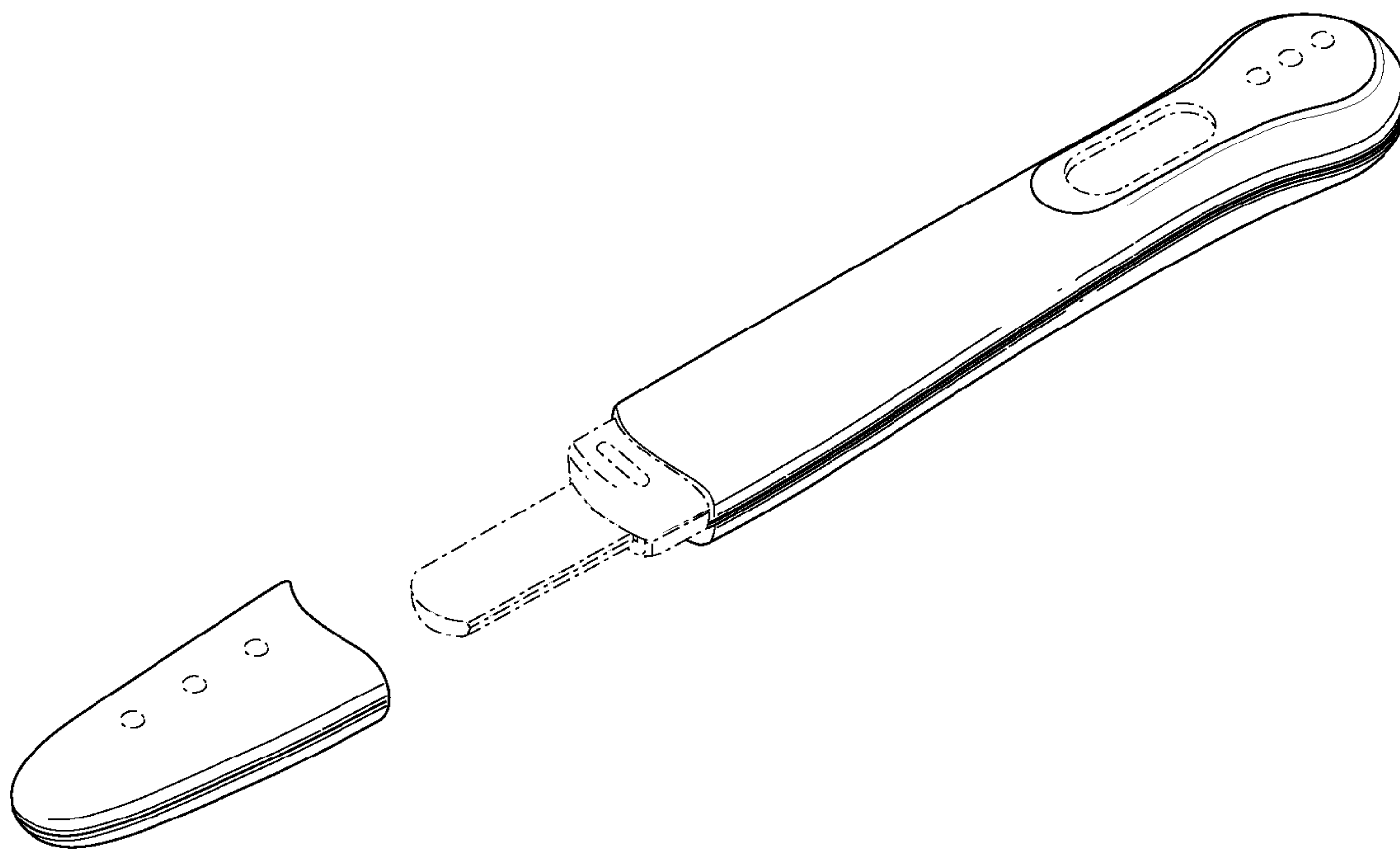


Fig. 7