



US00D557814S

(12) **United States Design Patent** (10) **Patent No.:** **US D557,814 S**
Glenn et al. (45) **Date of Patent:** **** Dec. 18, 2007**

(54) **MODULAR SURGICAL TRAY AND COVER**

(75) Inventors: **William S. Glenn**, Cordova, TN (US);
Robin L. Turner, Memphis, TN (US);
John M. B. Ford, Cordova, TN (US);
Christopher A. Bagozzi, Memphis, TN
(US); **Tatika Jones**, Memphis, TN
(US); **Randall J. Troutman**, Cordova,
TN (US); **Sherry D. Hernandez**,
Biloxi, MS (US)

(73) Assignee: **Warsaw Orthopedic, Inc.**, Warsaw, IN
(US)

(**) Term: **14 Years**

(21) Appl. No.: **29/256,214**

(22) Filed: **Mar. 20, 2006**

(51) **LOC (8) Cl.** **24-02**

(52) **U.S. Cl.** **D24/217**

(58) **Field of Classification Search** D24/156,
D24/216-232; 206/363, 369, 370; 422/297,
422/300; 220/318

See application file for complete search history.

(56) **References Cited**

U.S. PATENT DOCUMENTS

4,643,303	A	2/1987	Arp et al.	
4,798,292	A	1/1989	Hauze	
4,959,199	A	9/1990	Brewer	
4,978,510	A	12/1990	Smith	
5,084,251	A	1/1992	Thomas	
5,123,533	A	6/1992	Uitz	
5,215,726	A	6/1993	Kudla et al.	
D339,424	S *	9/1993	Riley D24/217
5,246,128	A	9/1993	Uitz	
5,275,302	A	1/1994	Uitz	
5,281,400	A	1/1994	Berry, Jr.	
5,284,632	A	2/1994	Kudla et al.	

OTHER PUBLICATIONS

Overmolding: A Multifaceted Medical Device Technology by
Michael Hansen, pp. 1-10; originally published in Medical Device
& Diagnostic Industry Magazine in Jan. 2006.

Primary Examiner—Robert A. Delehanty
Assistant Examiner—Mark Cavanna
(74) *Attorney, Agent, or Firm*—Goodwin Procter LLP

(57) **CLAIM**

The ornamental design for a modular surgical tray and cover,
as shown and described.

DESCRIPTION

FIG. 1 is a perspective front view of a modular surgical tray,
according to our design.

FIG. 2 is a view of one end of the modular surgical tray of
FIG. 1;

FIG. 3 is a view of the other end of the modular surgical tray
of FIG. 1;

FIG. 4 is a side view of one side of the modular surgical tray
of FIG. 1;

FIG. 5 is a side view of the other side of the modular surgical
tray of FIG. 1;

FIG. 6 is a top view of the modular surgical tray of FIG. 1;
FIG. 7 is a bottom view of the modular surgical tray of FIG.
1;

FIG. 8 is a perspective front view of a cover for the modular
surgical tray of FIG. 1;

FIG. 9 is a view of one end of the cover of FIG. 8;

FIG. 10 is a view of the other end of the cover of FIG. 8;

FIG. 11 is a side view of one side of the cover of FIG. 8;

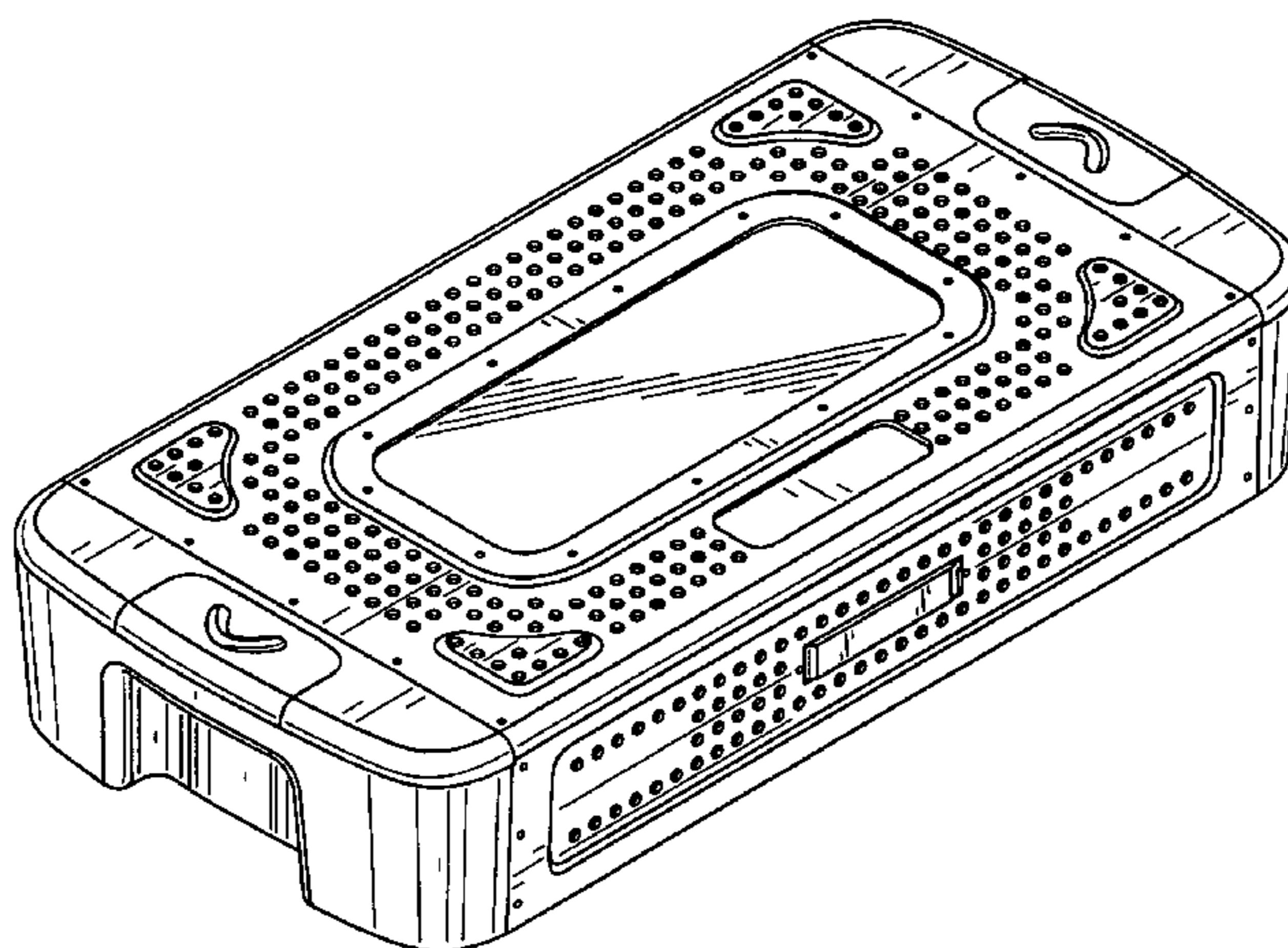
FIG. 12 is a side view of the other side of the cover of FIG.
8;

FIG. 13 is a top view of the cover of FIG. 8; and,

FIG. 14 is a perspective view of the modular surgical tray of
FIG. 1 provided with the cover of FIG. 8.

(Continued)

1 Claim, 10 Drawing Sheets



US D557,814 S

Page 2

U.S. PATENT DOCUMENTS			
5,305,876	A *	4/1994	Brigham 422/297
5,310,049	A	5/1994	Bigelow et al.
5,346,075	A	9/1994	Nichols et al.
5,346,677	A	9/1994	Risk
5,384,103	A	1/1995	Miller
5,415,846	A	5/1995	Berry, Jr.
5,424,048	A	6/1995	Riley
D360,697	S *	7/1995	Riihimaki et al. D24/217
5,433,929	A	7/1995	Riihimaki et al.
5,451,379	A	9/1995	Bowlin, Jr.
5,474,196	A	12/1995	Fausel et al.
5,490,975	A	2/1996	Dane
5,518,115	A	5/1996	Latulippe
5,524,755	A	6/1996	Deeds
5,540,901	A	7/1996	Riley
D374,936	S *	10/1996	Jakab D24/217
5,560,508	A	10/1996	Hsu
5,573,741	A	11/1996	Riley
5,593,058	A	1/1997	Spencer et al.
5,628,970	A	5/1997	Basile et al.
5,630,507	A	5/1997	Baker
5,678,717	A	10/1997	Hsu
5,732,821	A	3/1998	Stone et al.
5,759,502	A	6/1998	Spencer et al.
5,843,387	A	12/1998	Dane et al.
5,882,612	A	3/1999	Riley
5,913,422	A	6/1999	Cote et al.
5,918,740	A	7/1999	Berry, Jr.
5,968,459	A	10/1999	Nalepa et al.
D421,309	S *	2/2000	Riley et al. D24/217
6,048,503	A	4/2000	Riley et al.
6,077,485	A	6/2000	Baker
6,099,812	A	8/2000	Allen et al.
6,116,452	A *	9/2000	Hamel et al. 220/318
6,138,850	A	10/2000	Berry, III
6,193,932	B1	2/2001	Wu et al.
6,217,835	B1	4/2001	Riley et al.
D441,457	S *	5/2001	Neiner et al. D24/217
6,244,447	B1	6/2001	Frieze et al.
6,331,280	B1	12/2001	Wood
6,365,115	B1	4/2002	Wood
D458,448	S *	6/2002	Jakab D24/217
6,419,886	B1	7/2002	Oberdorfer et al.
6,436,357	B1	8/2002	Frieze et al.
6,468,482	B1	10/2002	Frieze et al.
6,585,942	B1	7/2003	Bussell et al.
6,589,477	B1	7/2003	Frieze et al.
D487,315	S *	3/2004	Picot et al. D24/217
6,713,029	B1 *	3/2004	Krafft et al. 422/300
D530,824	S *	10/2006	Bennison D24/217
D531,734	S *	11/2006	Haunschild et al. D24/217
2002/0071799	A1	6/2002	Wood
2002/0136679	A1	9/2002	Frieze et al.
2003/0118491	A1	6/2003	Frieze et al.

* cited by examiner

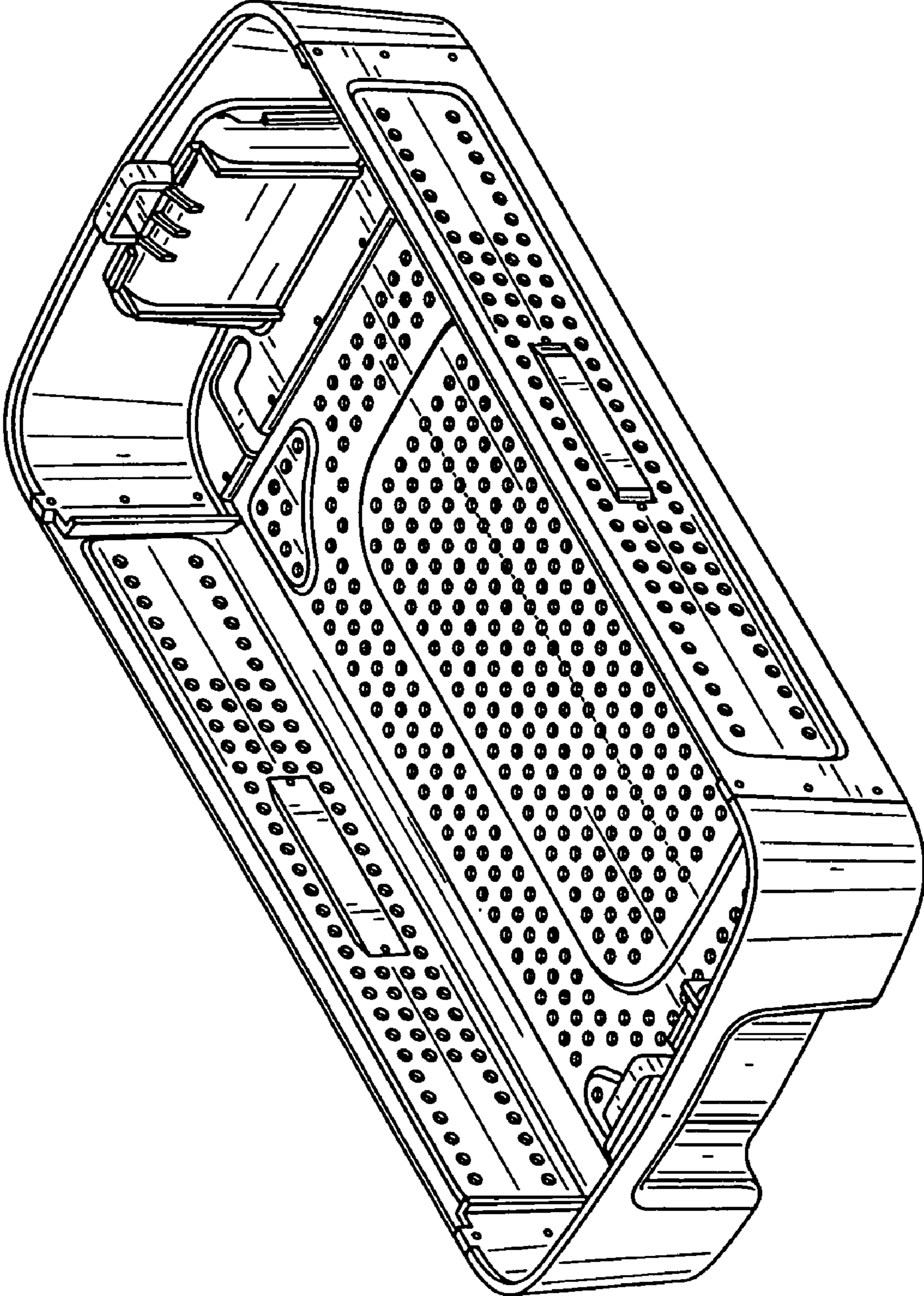


FIG. 1

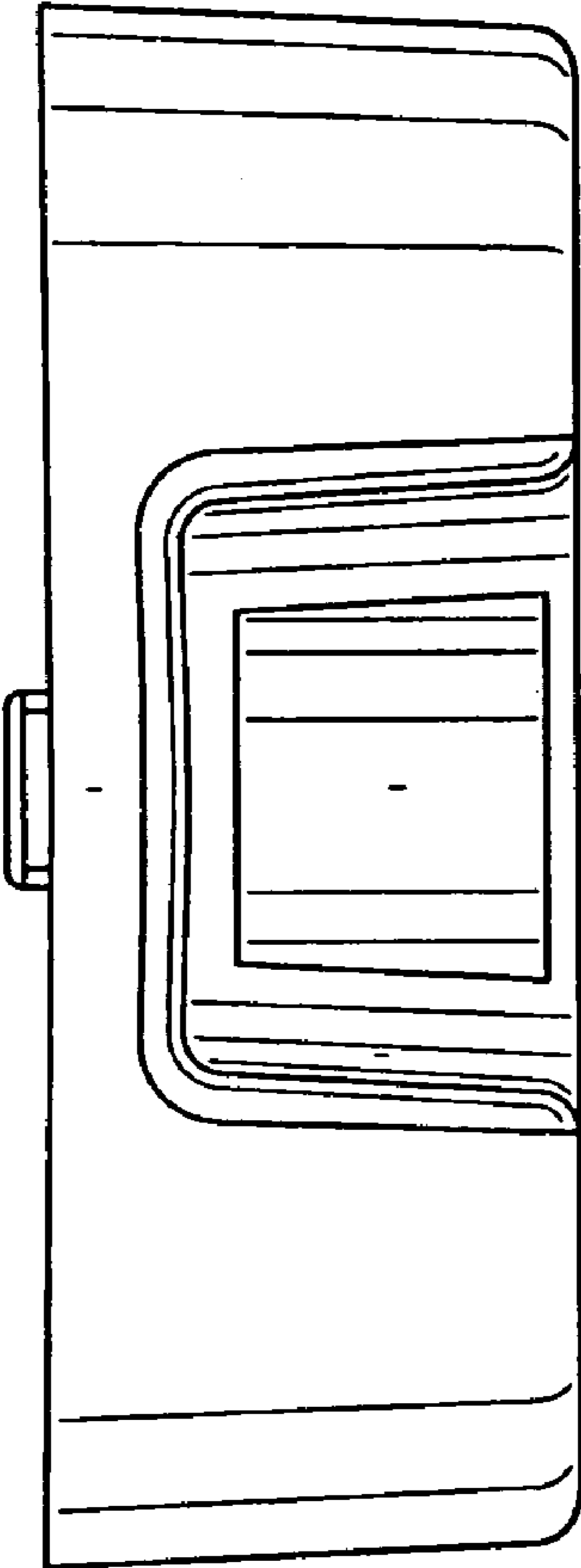


FIG. 2

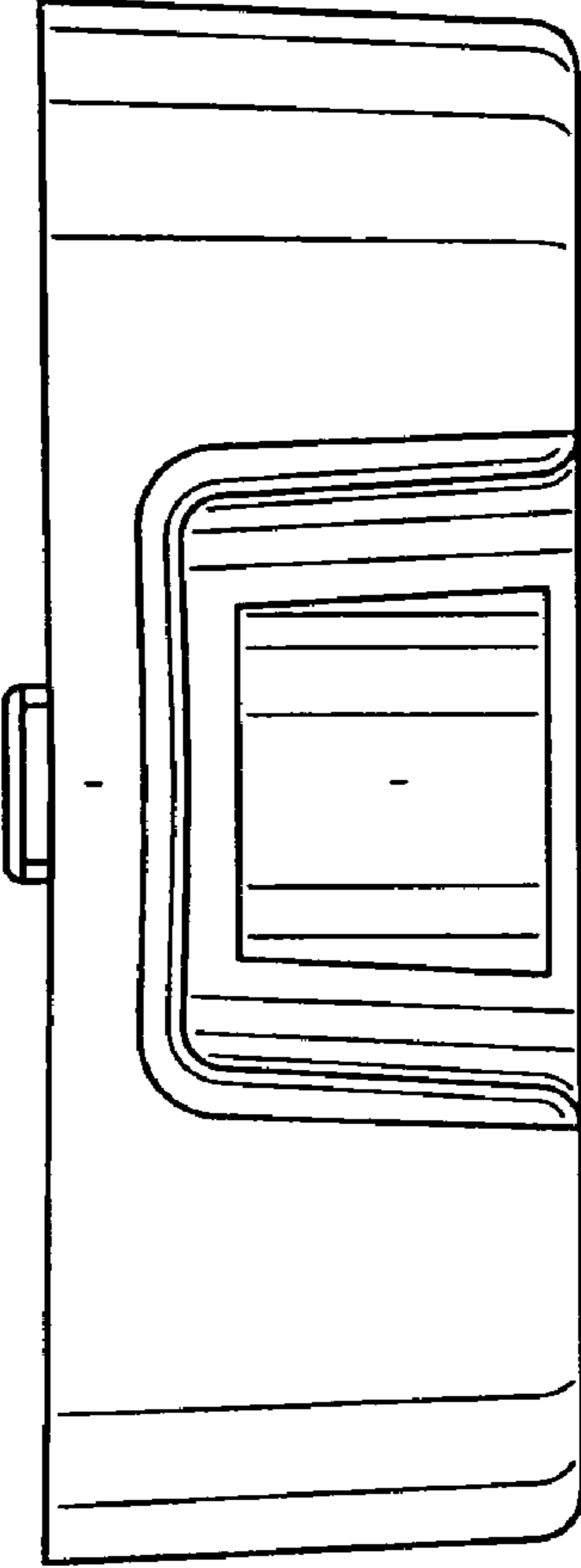


FIG. 3

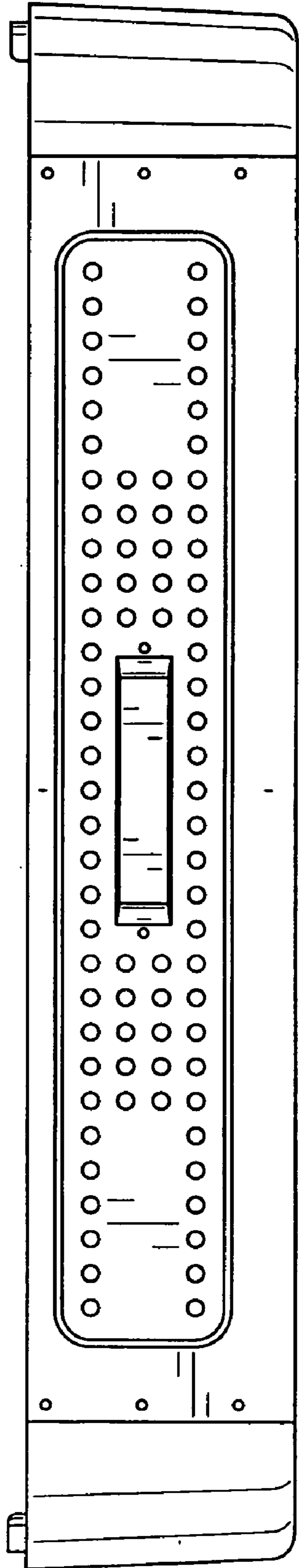


FIG. 4

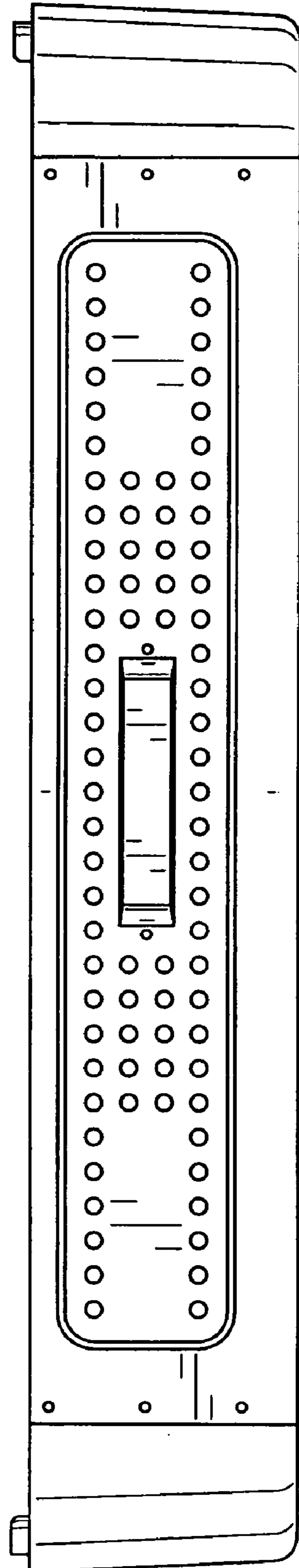


FIG. 5

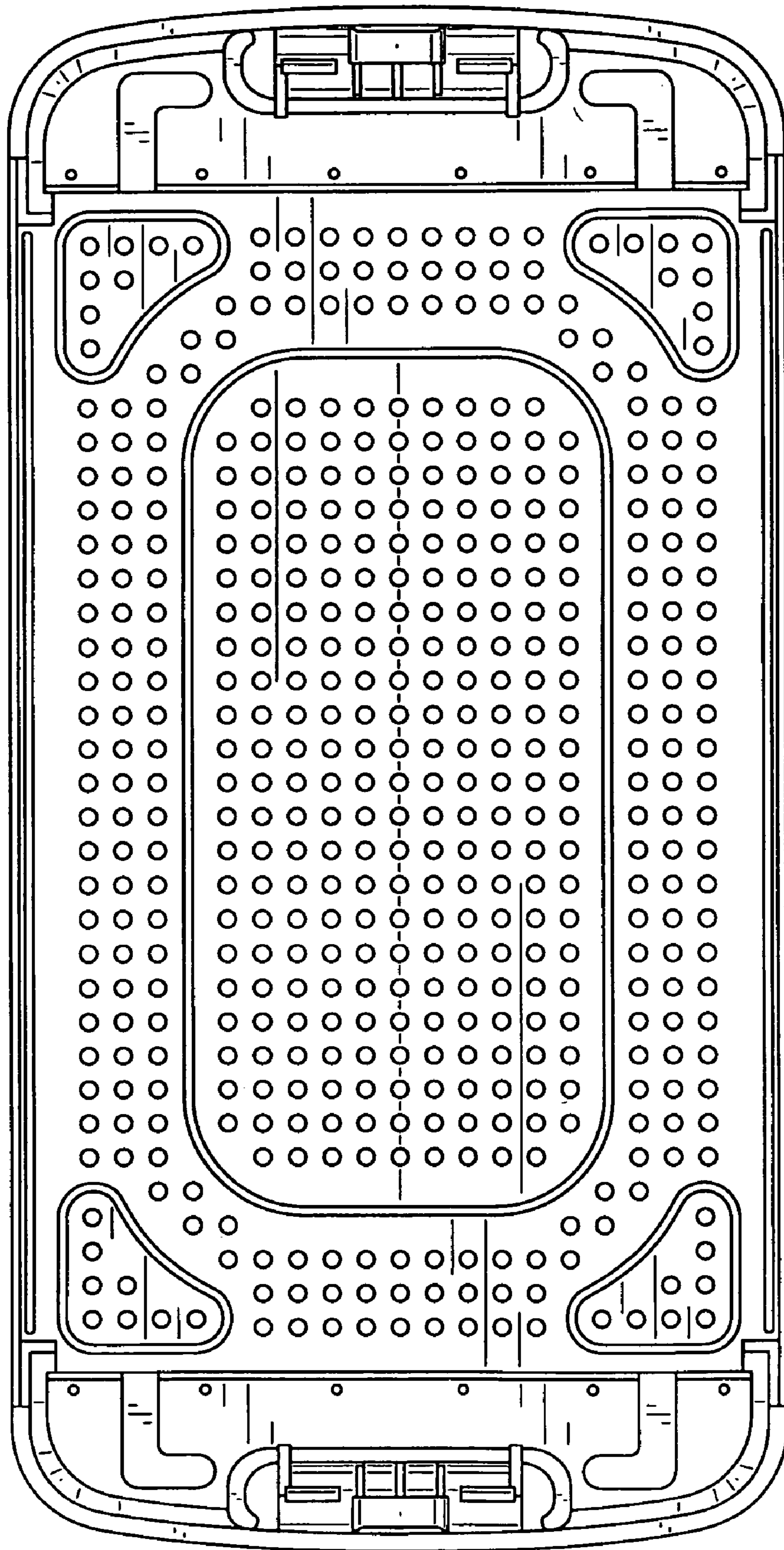


FIG. 6

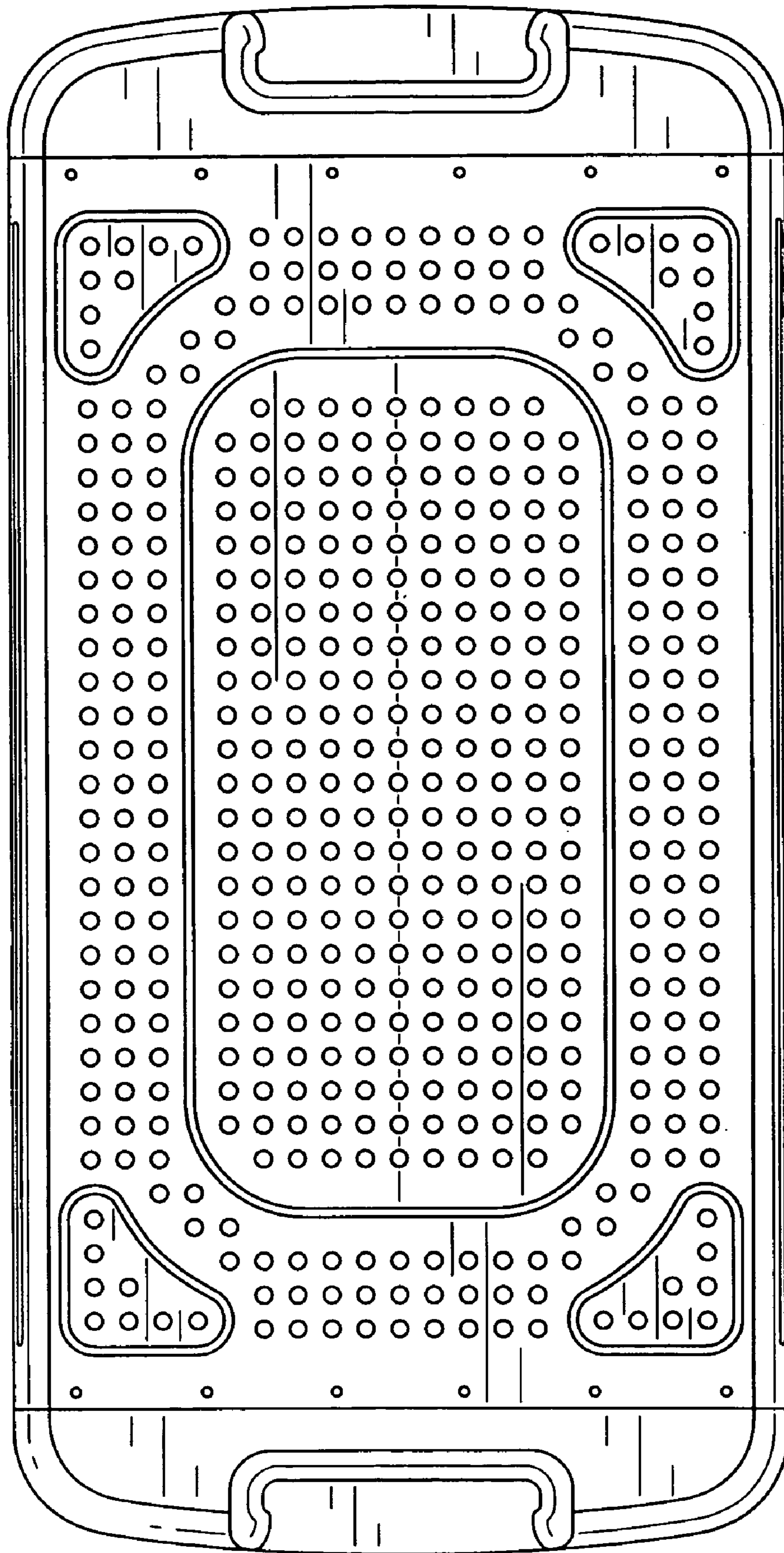


FIG. 7

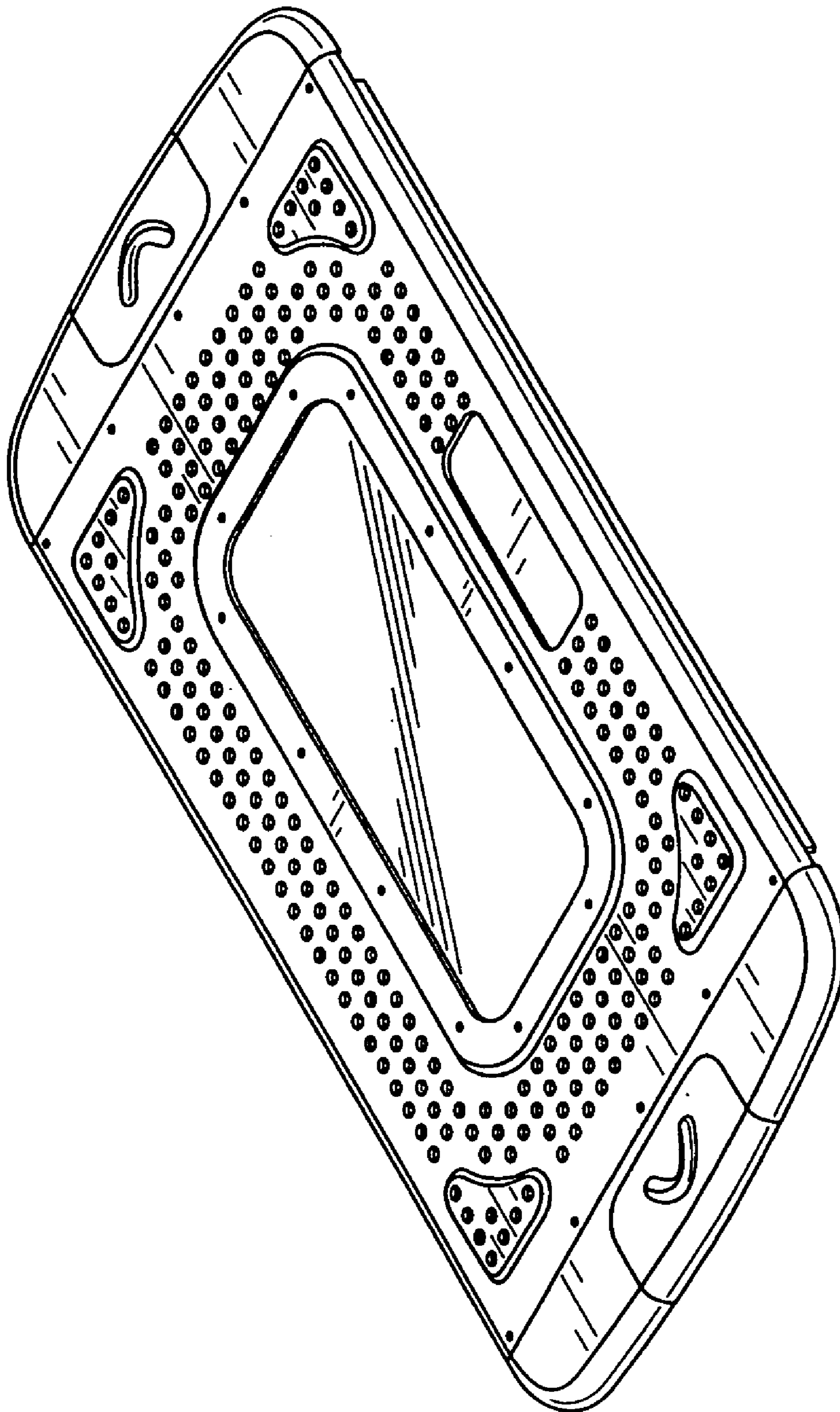


FIG. 8

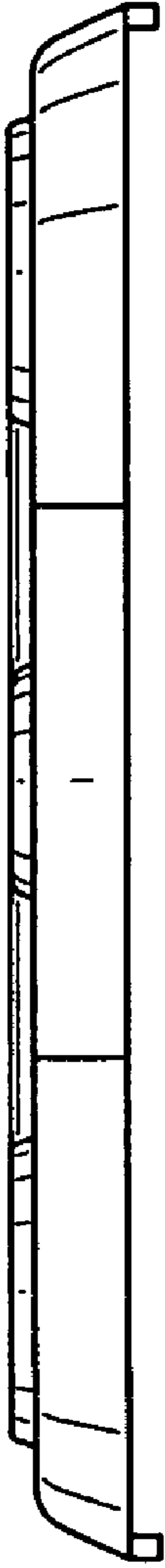


FIG. 9

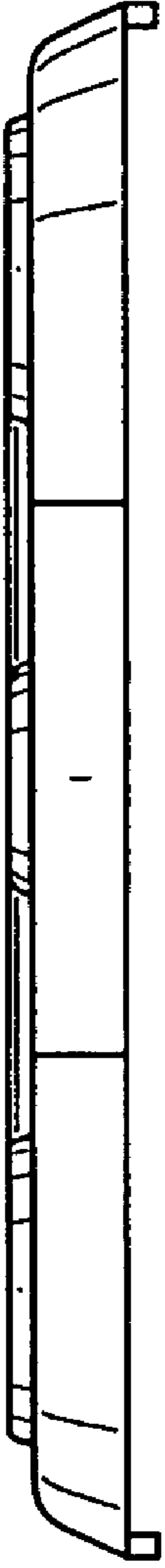


FIG. 10

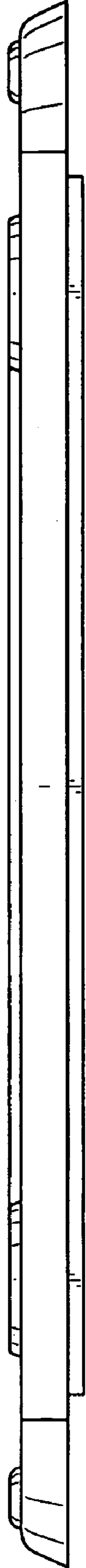


FIG. 11

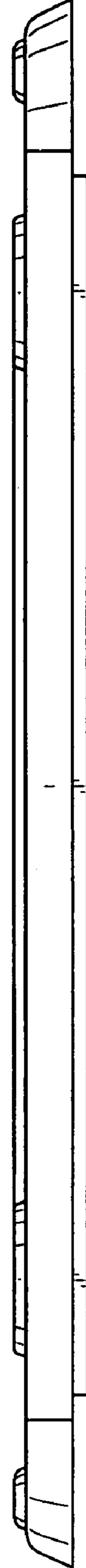


FIG. 12

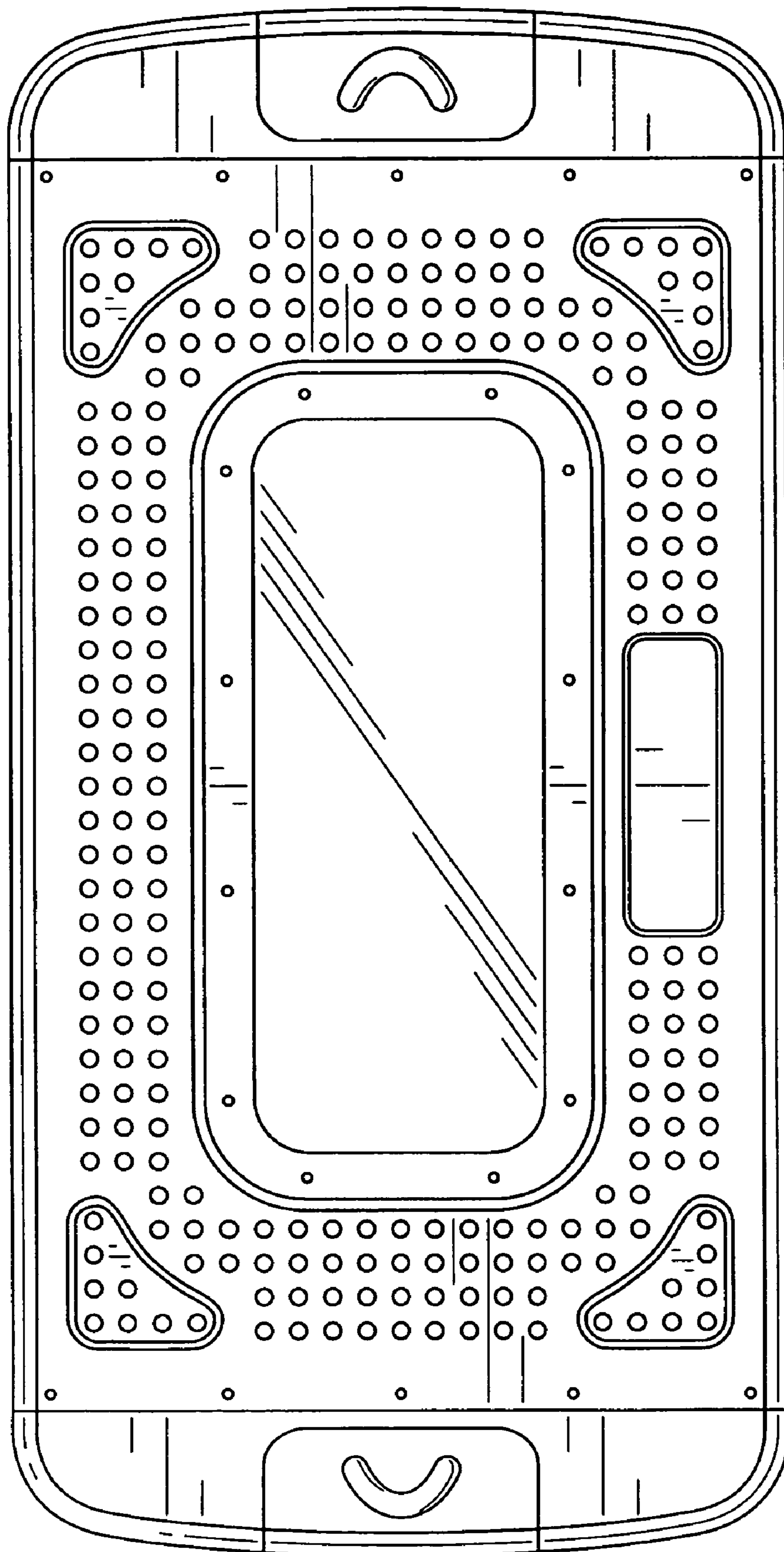


FIG. 13

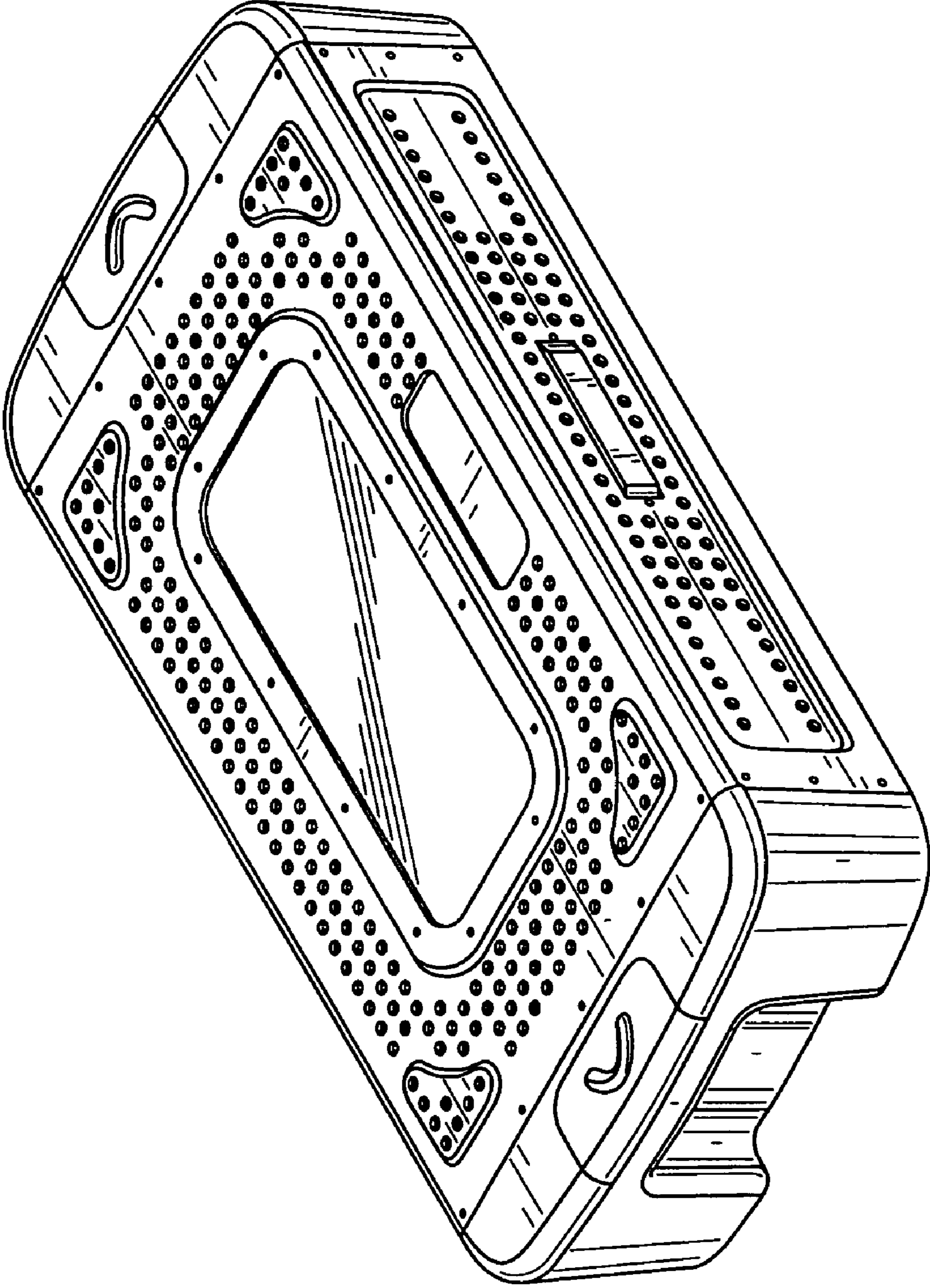


FIG. 14