



US00D557811S

(12) **United States Design Patent**  
**Brooks**

(10) **Patent No.:** **US D557,811 S**

(45) **Date of Patent:** **\*\* Dec. 18, 2007**

(54) **ARM SLING**

(76) Inventor: **Lucille S. Brooks**, 3153 Washburn Rd.,  
Vassar, MI (US) 48768

(\*\*) Term: **14 Years**

(21) Appl. No.: **29/255,137**

(22) Filed: **Mar. 6, 2006**

**Related U.S. Application Data**

(63) Continuation-in-part of application No. 29/244,210,  
filed on Dec. 8, 2005.

(51) **LOC (8) Cl.** ..... **24-04**

(52) **U.S. Cl.** ..... **D24/190**

(58) **Field of Classification Search** ..... D24/190-2;  
602/4-6, 20, 27, 61-2, 68; 128/865, 878;  
604/20-21

See application file for complete search history.

(56) **References Cited**

**U.S. PATENT DOCUMENTS**

2,088,927	A *	8/1937	Roy	.....	602/4
2,539,677	A *	1/1951	Teare	.....	602/4
2,549,703	A *	4/1951	New	.....	602/4
2,796,862	A *	6/1957	Borntraeger	.....	602/4
2,875,754	A *	3/1959	Messer	.....	602/21
3,103,216	A *	9/1963	Scott	.....	602/4
D222,898	S *	1/1972	Morris	.....	D24/190
D235,928	S *	7/1975	Moore, II	.....	D24/190
D235,929	S *	7/1975	Thompson	.....	D24/190

4,285,337	A *	8/1981	Cosentino	.....	602/4
D267,976	S *	2/1983	Hammer	.....	D24/190
4,372,301	A *	2/1983	Hubbard et al.	.....	602/4
D273,516	S *	4/1984	Saal	.....	D24/190
4,622,961	A *	11/1986	Christensen	.....	602/4
4,836,195	A *	6/1989	Berrehail	.....	602/20
D365,636	S *	12/1995	Kilbey	.....	D24/190
D504,518	S *	4/2005	Diaz et al.	.....	D24/190
D507,652	S *	7/2005	Tauber	.....	D24/190

\* cited by examiner

*Primary Examiner*—Louis S. Zarfaz

*Assistant Examiner*—Susan E Krakower

(57) **CLAIM**

The ornamental design for an arm sling, as shown and described.

**DESCRIPTION**

FIG. 1 is a side elevational view of an arm sling showing my new design;

FIG. 2 is a bottom view thereof;

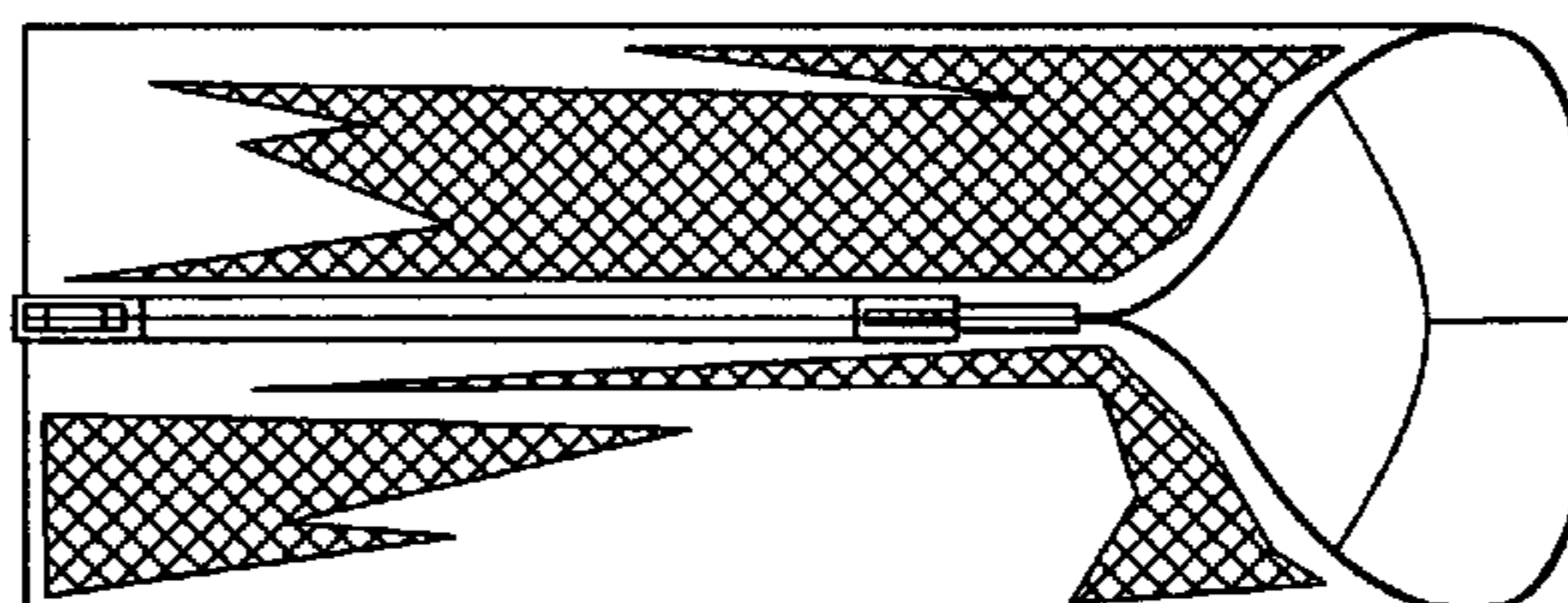
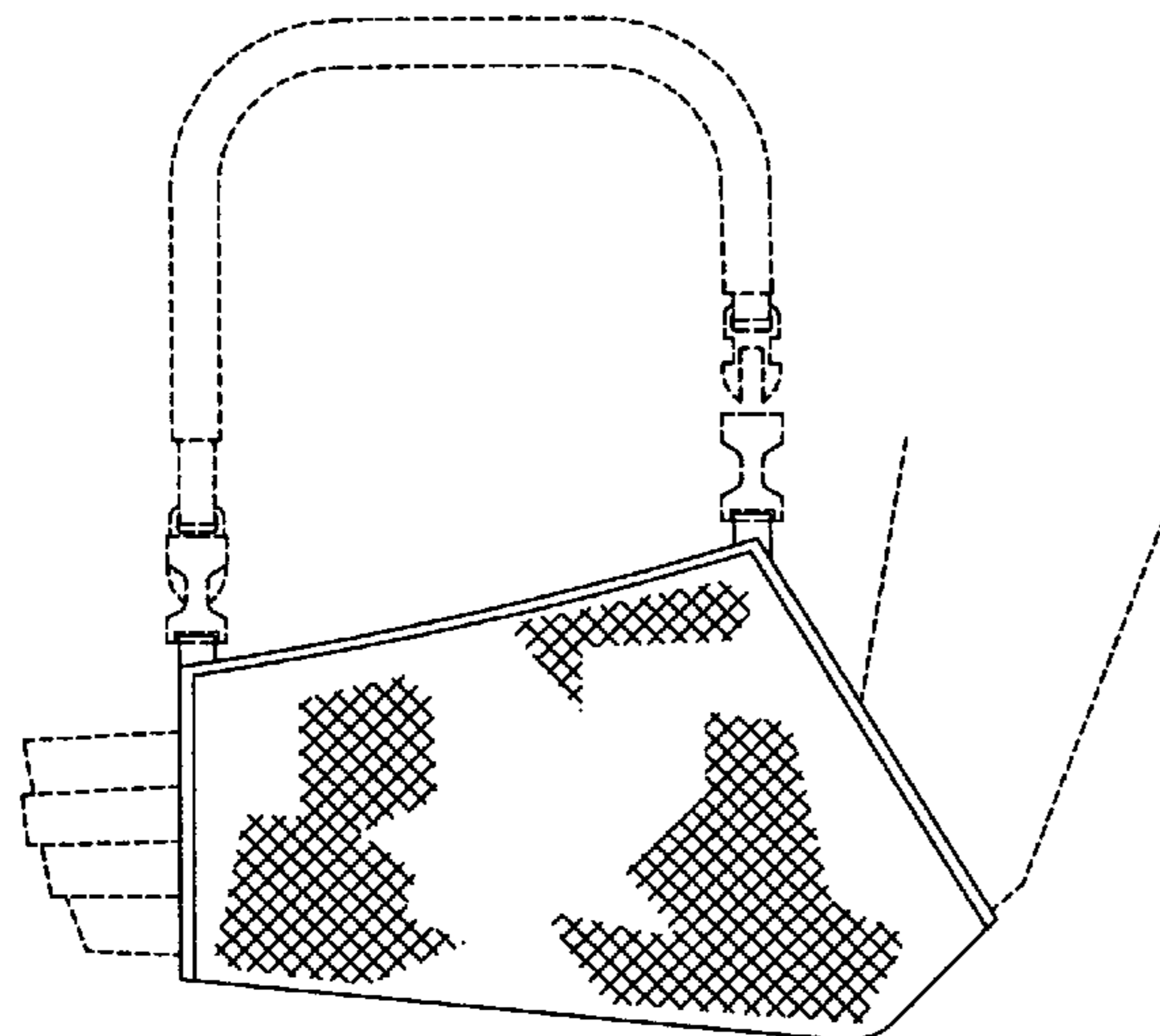
FIG. 3 is a front end perspective thereof;

FIG. 4 is a back end perspective view thereof; and,

FIG. 5 is a top plan view thereof.

The broken line showing of an arm and sling strap is included for the purpose of illustrating environmental structure and forms no part of the claimed design.

**1 Claim, 2 Drawing Sheets**



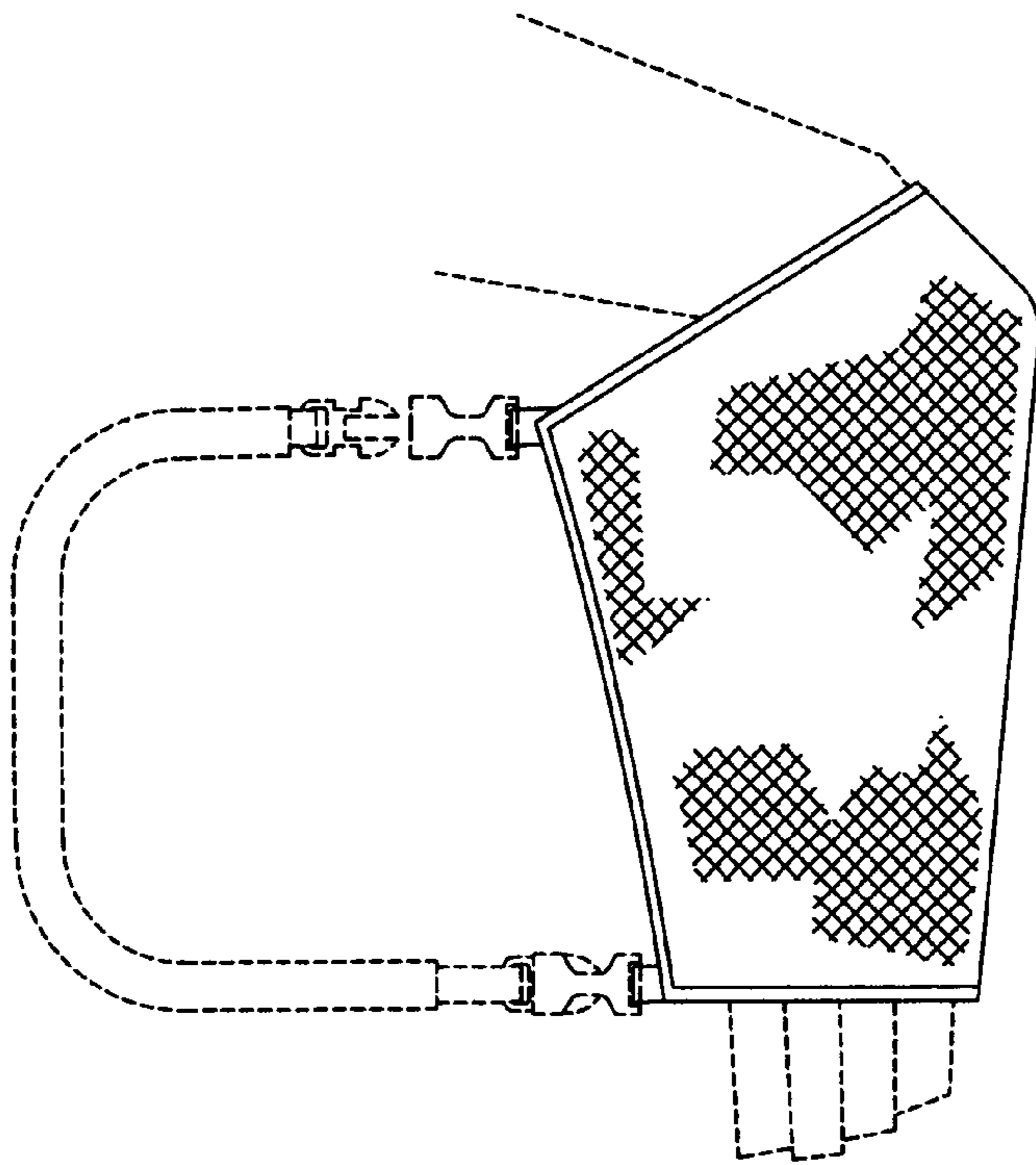


Fig. 1

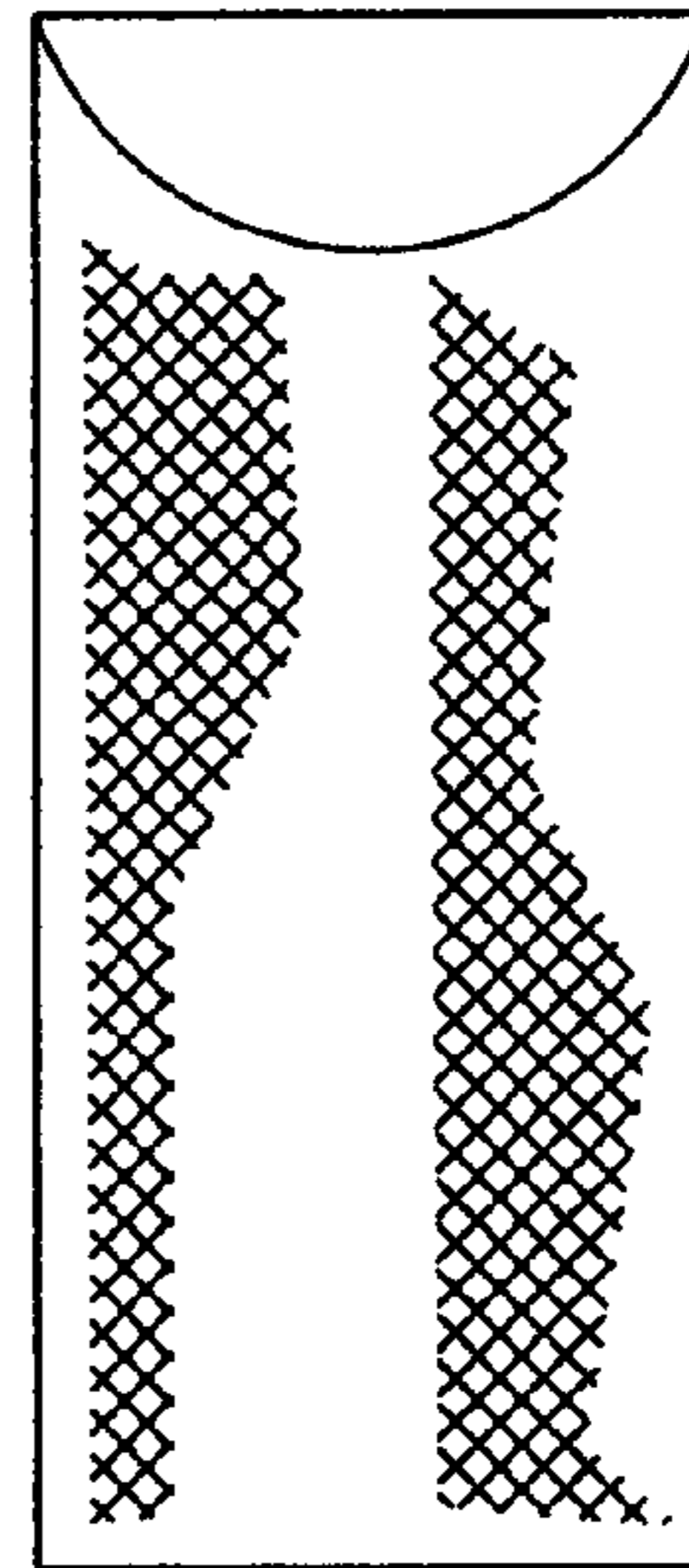


Fig. 2

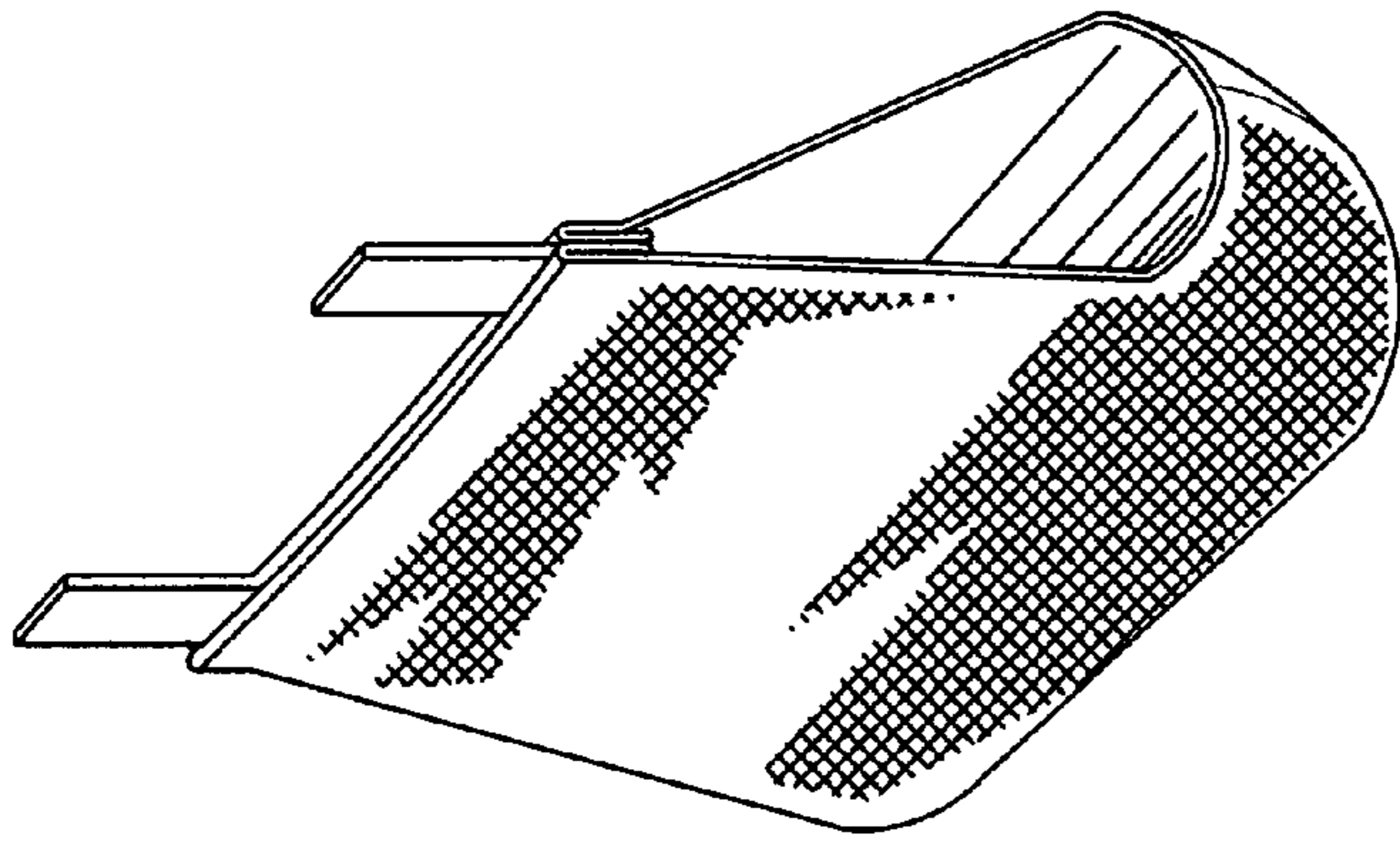


Fig. 4

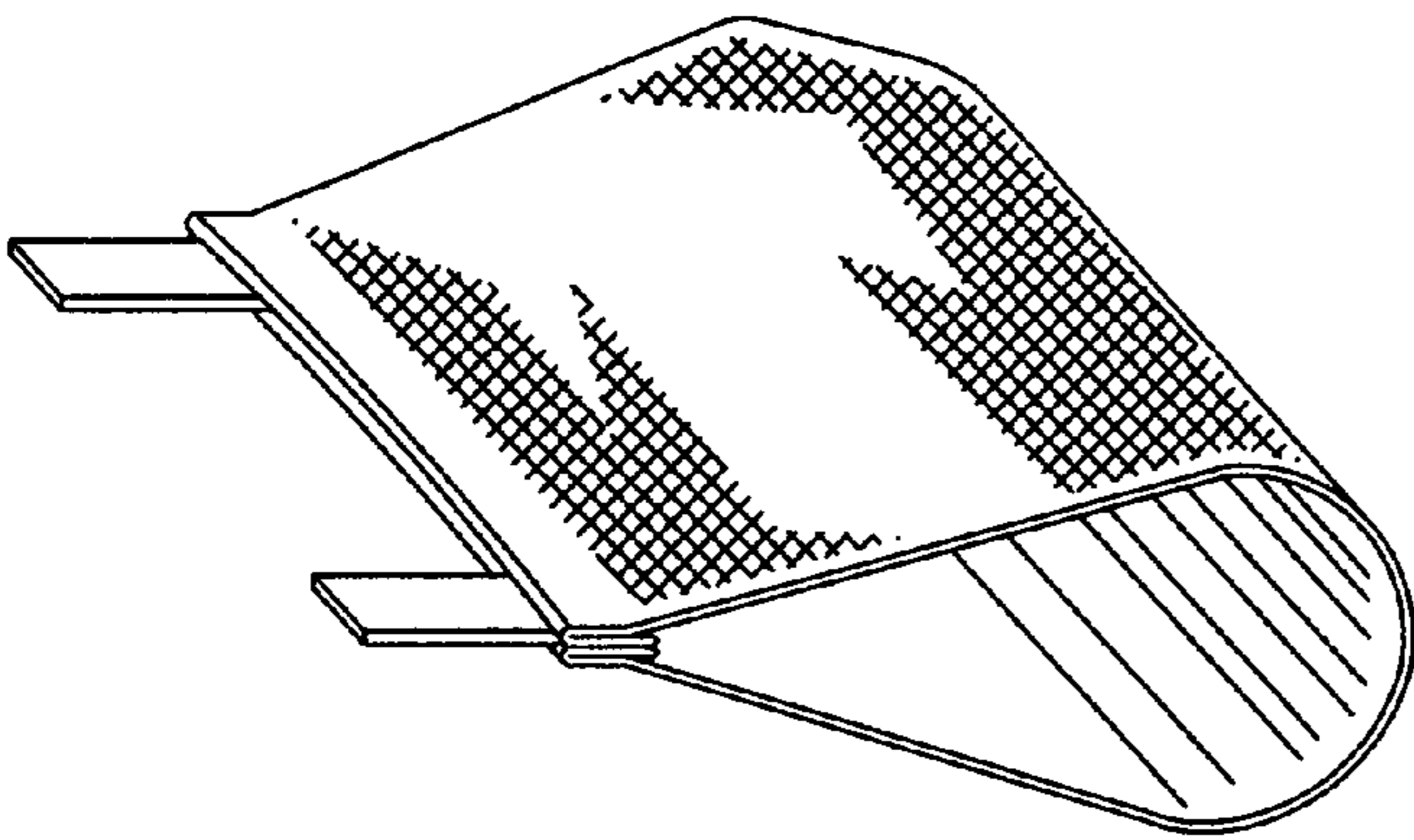


Fig. 3

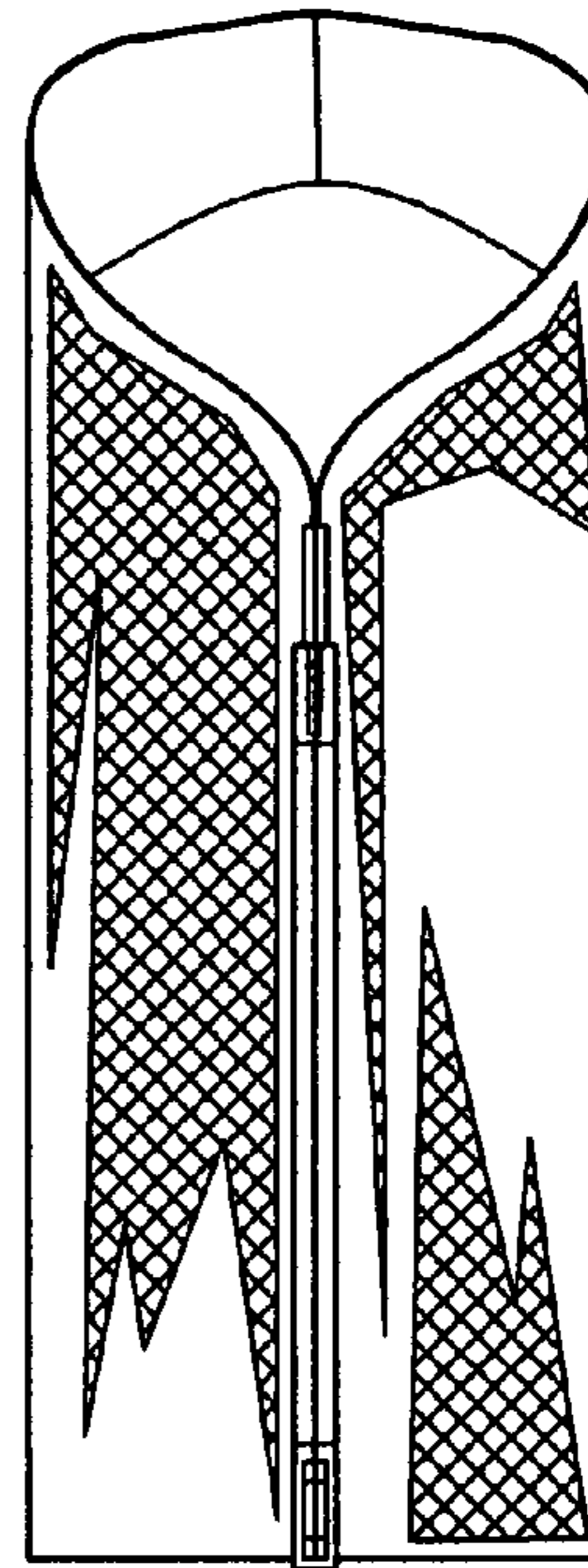


Fig. 5