



US00D557809S

(12) **United States Design Patent**
Neverov et al.

(10) **Patent No.:** **US D557,809 S**

(45) **Date of Patent:** **** Dec. 18, 2007**

(54) **ANATOMICAL SENSOR**

6,865,409 B2 * 3/2005 Getsla et al. 600/393
7,206,630 B1 * 4/2007 Tarler 600/509

(75) Inventors: **Marie Neverov**, Stoneham, MA (US);
Michael Williams, Melrose, MA (US);
Shai Gozani, Brookline, MA (US)

* cited by examiner

Primary Examiner—Antoine D. Davis

(74) *Attorney, Agent, or Firm*—Pandiscio & Pandiscio

(73) Assignee: **NeuroMetrix, Inc.**, Waltham, MA (US)

(57) **CLAIM**

(**) Term: **14 Years**

The ornamental design for an anatomical sensor, as shown and described.

(21) Appl. No.: **29/257,514**

(22) Filed: **Apr. 5, 2006**

DESCRIPTION

(51) **LOC (8) Cl.** **24-02**

FIG. 1 is a perspective view of the anatomical sensor;

(52) **U.S. Cl.** **D24/168**

FIG. 2 is a top view of the anatomical sensor;

(58) **Field of Classification Search** D10/64;
D24/168; 128/905; 600/483, 546, 554,
600/393, 395, 397, 547; 607/152

FIG. 3 is a bottom view of the anatomical sensor;

See application file for complete search history.

FIG. 4 is a left side elevational view of the anatomical sensor;

(56) **References Cited**

FIG. 5 is a right side elevational view of the anatomical sensor;

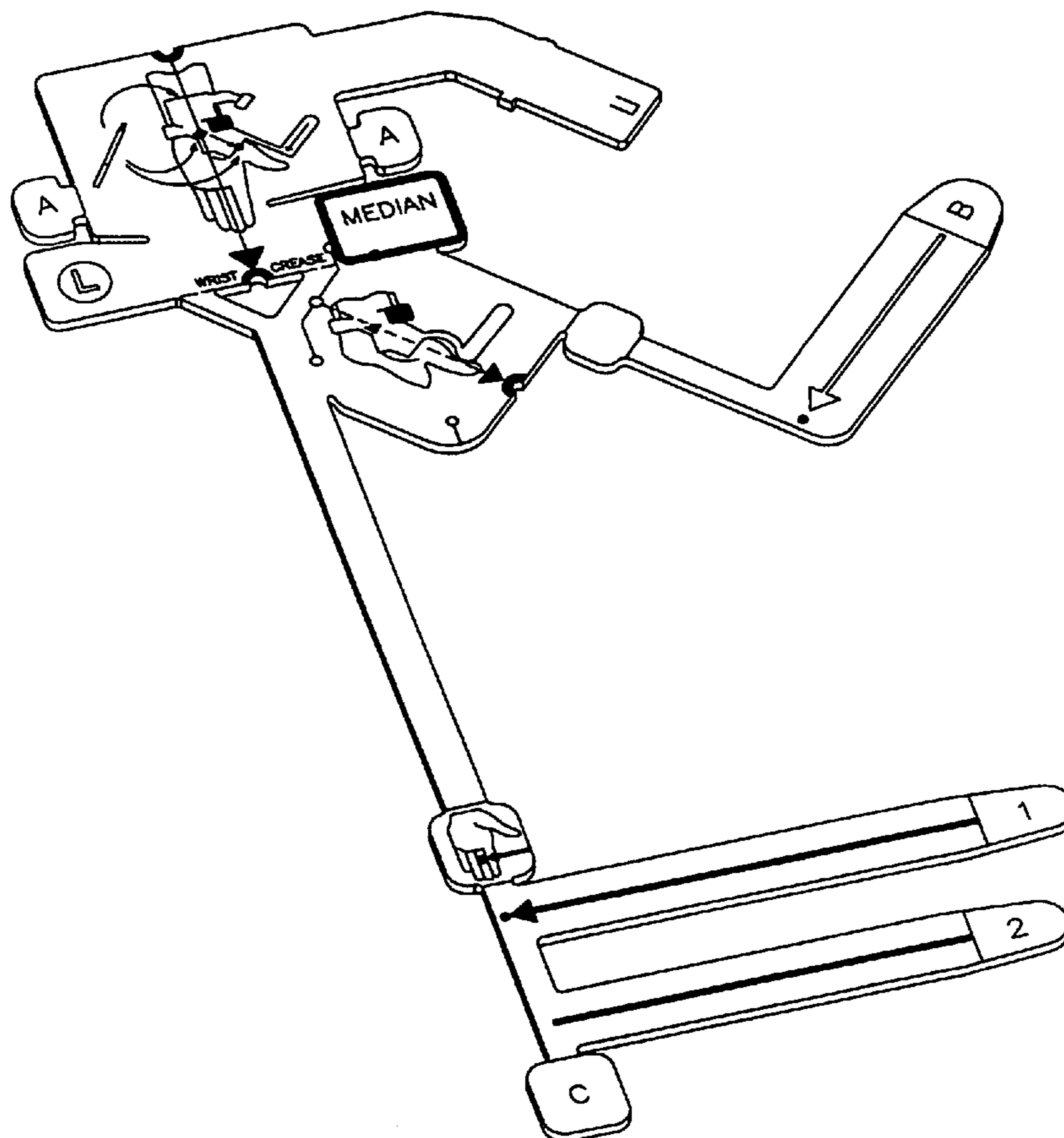
U.S. PATENT DOCUMENTS

FIG. 6 is a top elevational view of the anatomical sensor; and,

D206,799 S * 1/1967 Frasier D24/168
6,564,079 B1 * 5/2003 Cory et al. 600/393
6,625,481 B2 * 9/2003 Bennett et al. 600/383
6,836,680 B2 * 12/2004 Kuo 600/513

FIG. 7 is a bottom elevational view of the anatomical sensor.

1 Claim, 4 Drawing Sheets



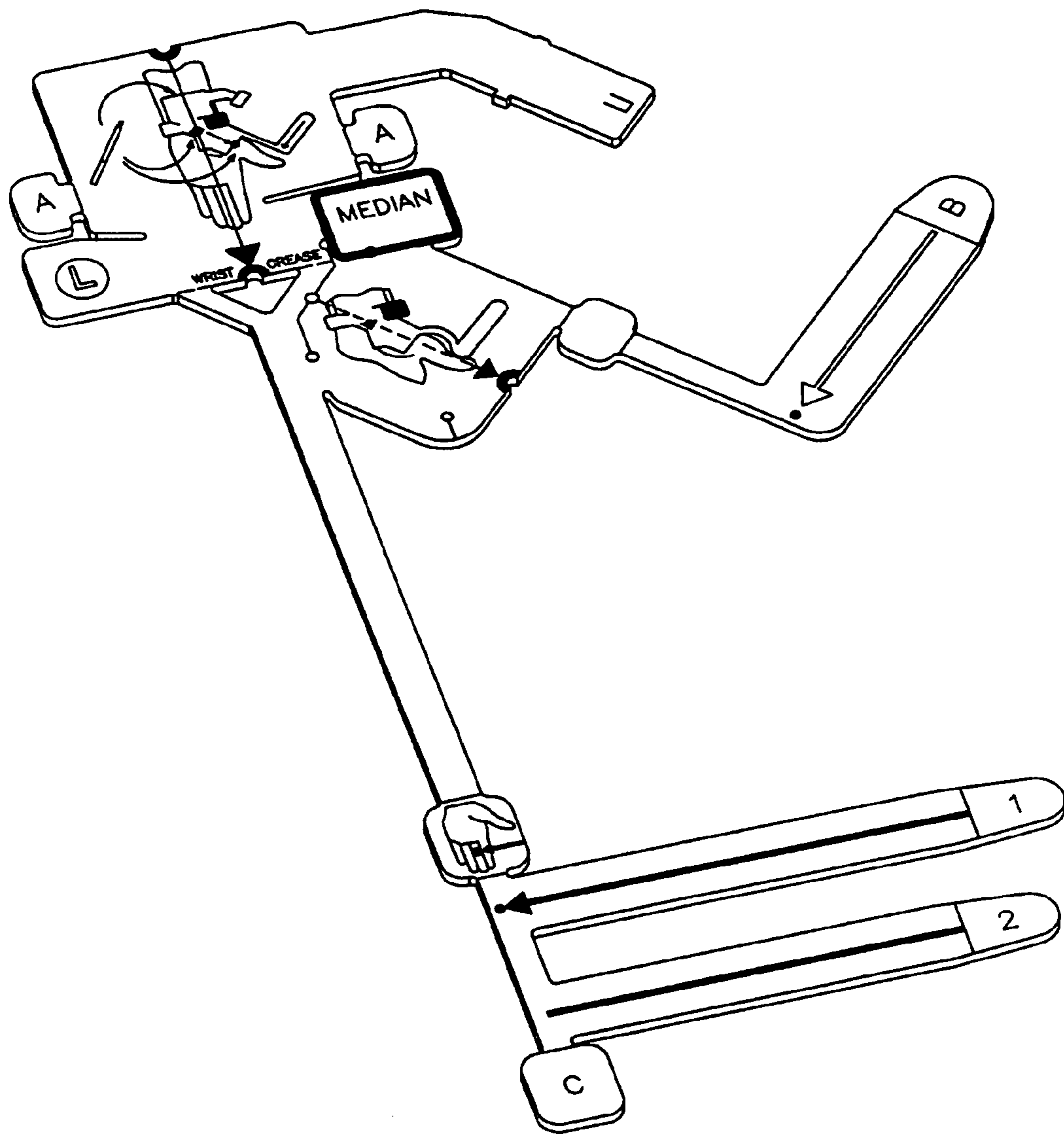


FIG. 1

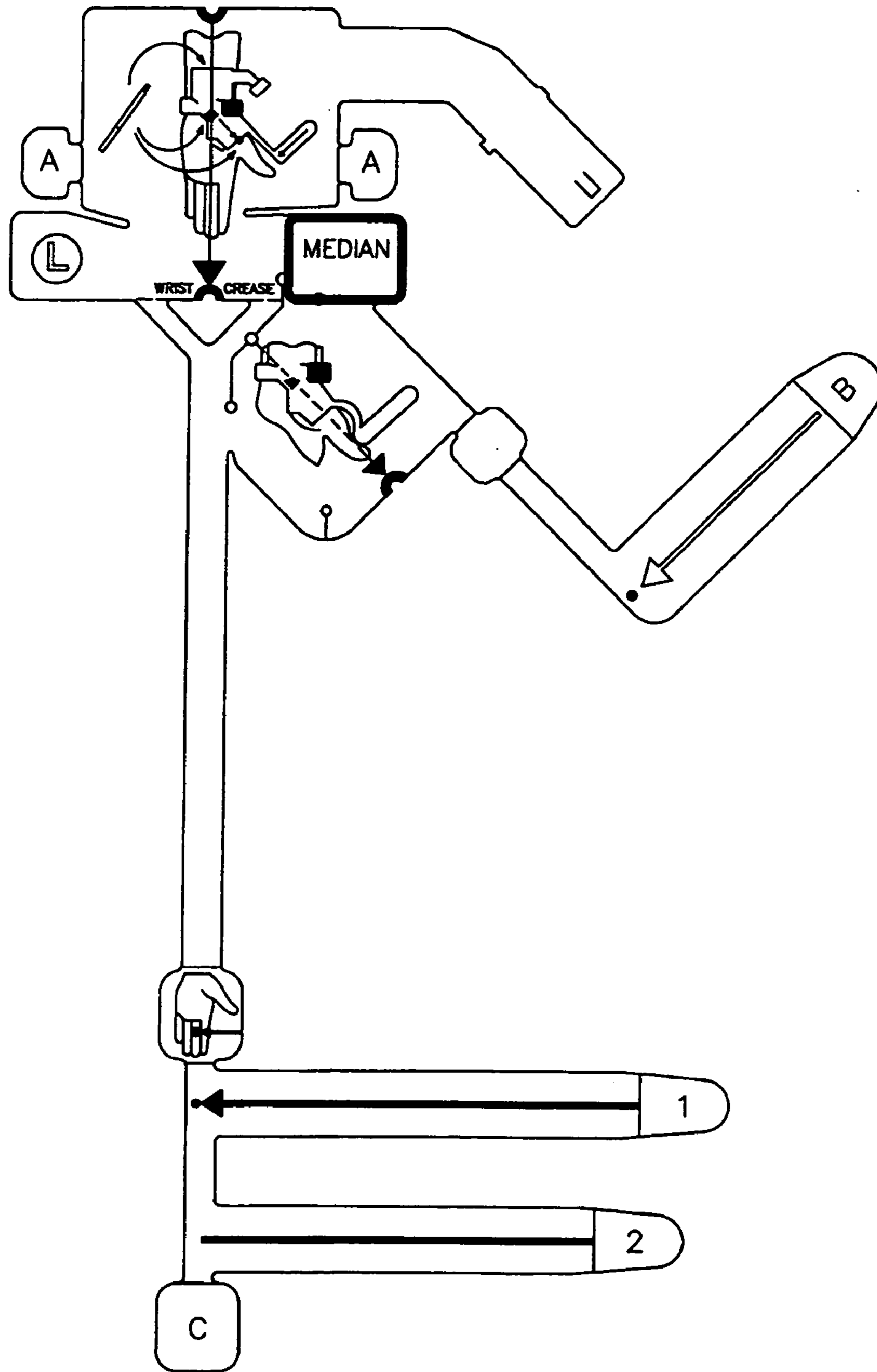


FIG. 2

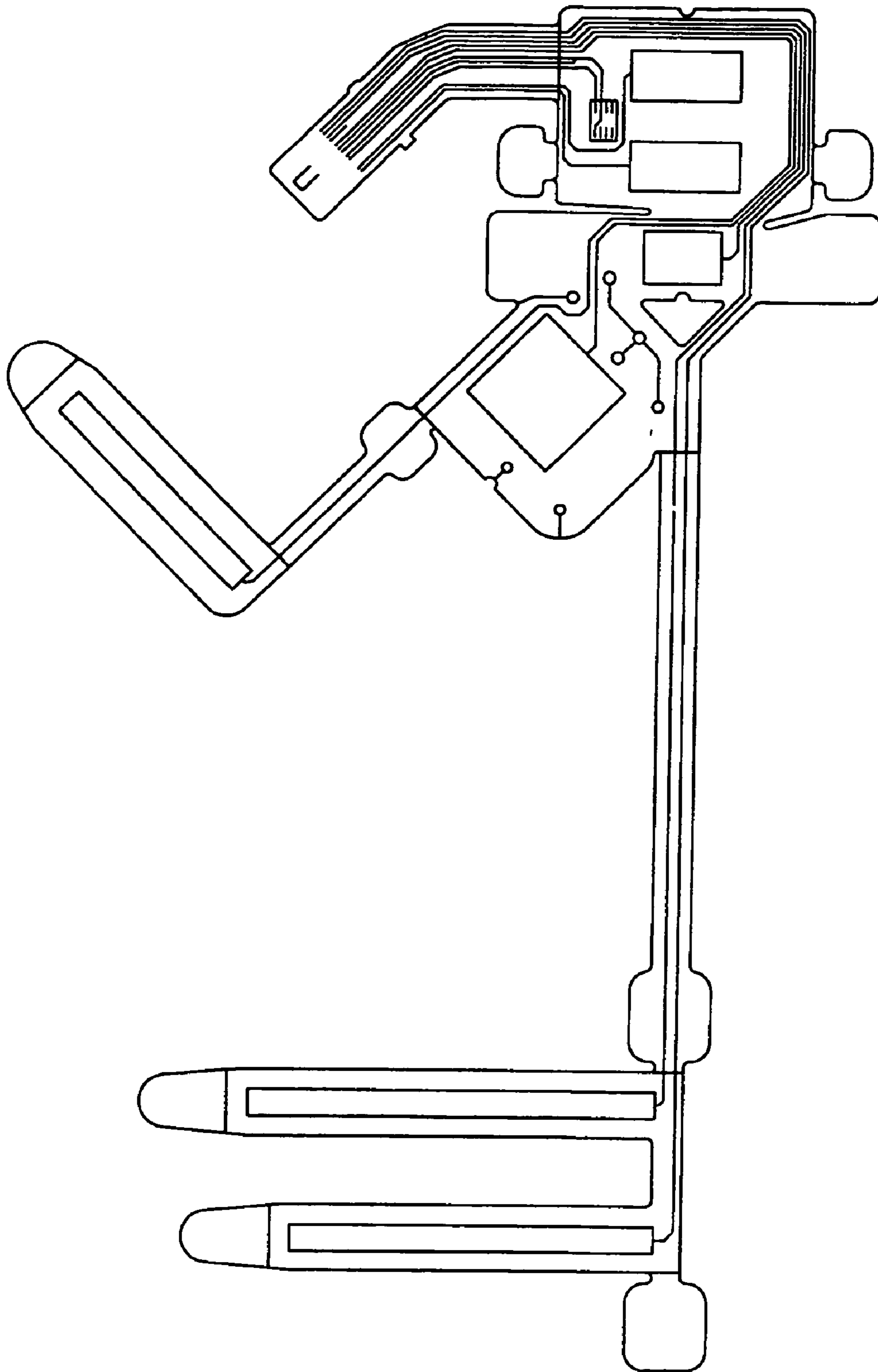


FIG. 3

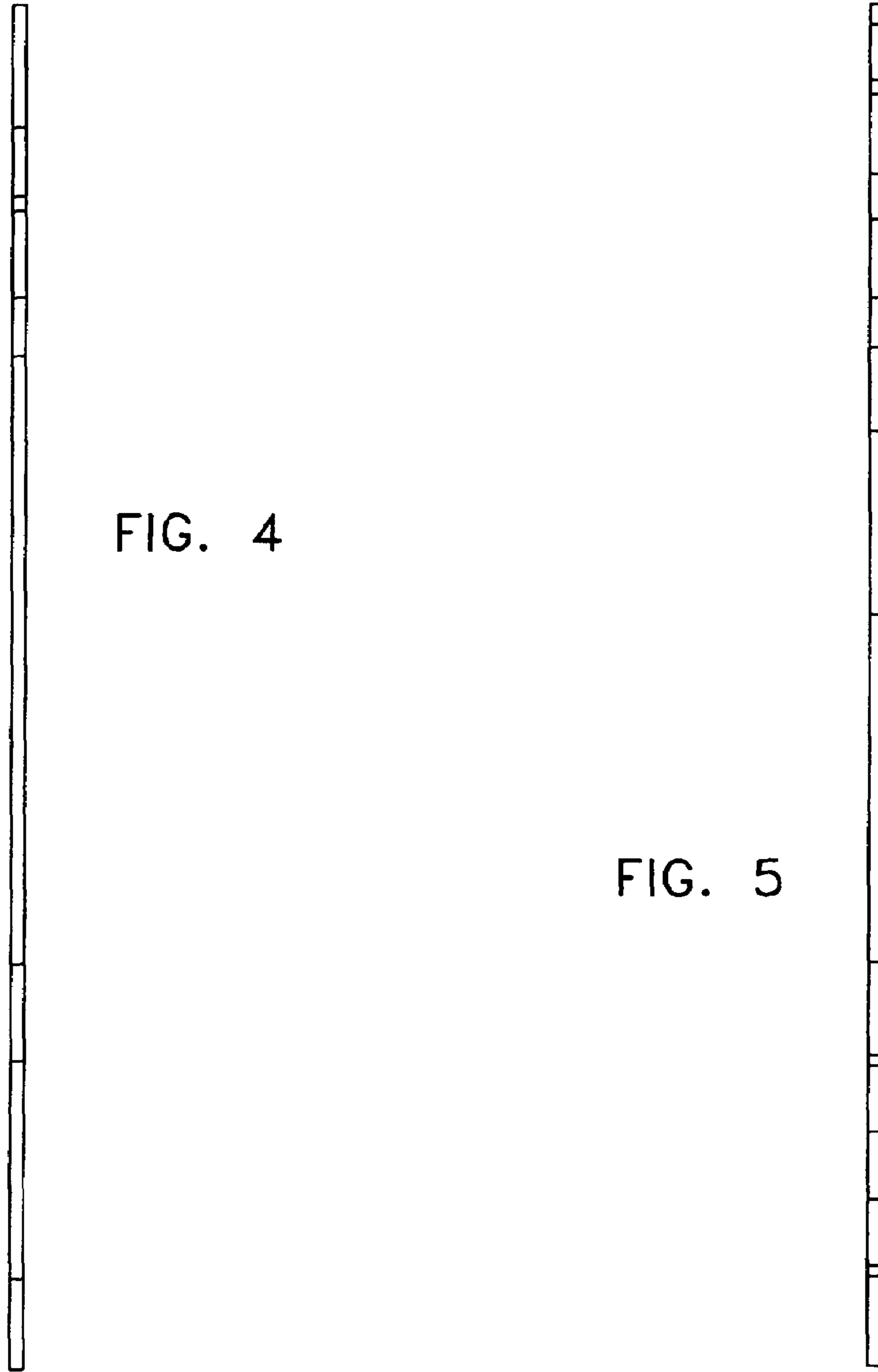


FIG. 4

FIG. 5

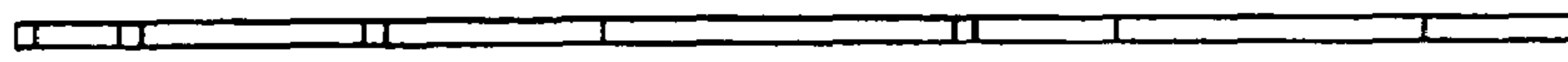


FIG. 6

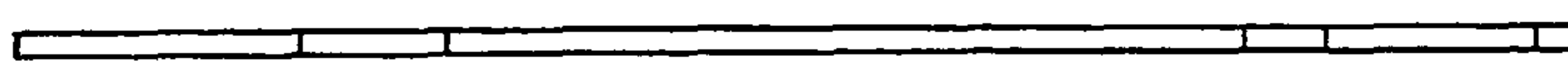


FIG. 7