

US00D557808S

(12) **United States Design Patent**
Kondo

(10) **Patent No.:** **US D557,808 S**

(45) **Date of Patent:** **** Dec. 18, 2007**

(54) **Sorter for an image data recorder for medical use**

D484,598 S 12/2003 Ina et al.

* cited by examiner

(75) Inventor: **Shozo Kondo**, Tokyo (JP)

Primary Examiner—Lou Zarfaz

(73) Assignee: **Fujifilm Corporation**, Tokyo (JP)

Assistant Examiner—Anhdao Doan

(**) Term: **14 Years**

(74) *Attorney, Agent, or Firm*—Young & Thompson

(21) Appl. No.: **29/228,738**

(57) **CLAIM**

(22) Filed: **Apr. 28, 2005**

The ornamental design for a sorter for an image data recorder for medical use, as shown and described.

(30) **Foreign Application Priority Data**

DESCRIPTION

Nov. 8, 2004 (JP) 2004-034027

(51) **LOC (8) Cl.** **24-01**

(52) **U.S. Cl.** **D24/158**

(58) **Field of Classification Search** D24/158-161;
378/167, 171, 172, 181-183; 396/512, 517;
271/292, 299; D16/246, 247; D18/38, 39,
D18/47, 49

See application file for complete search history.

FIG. 1 is a top, front and side perspective view of a sorter for an image data recorder for medical use, showing my new design;

FIG. 2 is a front elevational view thereof;

FIG. 3 is a rear elevational view thereof;

FIG. 4 is a top plan view thereof;

FIG. 5 is a bottom plan view thereof;

FIG. 6 is a side elevational view thereof from the right of FIG. 2;

FIG. 7 is a side elevational view thereof from the left of FIG. 2; and,

FIG. 8 is a perspective view thereof, with the broken line showing of the image data recorder being for illustrative purposes only and forming no part of the claimed design.

(56) **References Cited**

U.S. PATENT DOCUMENTS

5,449,168 A * 9/1995 Olexy et al. 271/297
D373,789 S * 9/1996 Narushima D18/48
D396,879 S * 8/1998 Senshiki et al. D18/48
D482,789 S * 11/2003 Nelson et al. D24/158

1 Claim, 5 Drawing Sheets

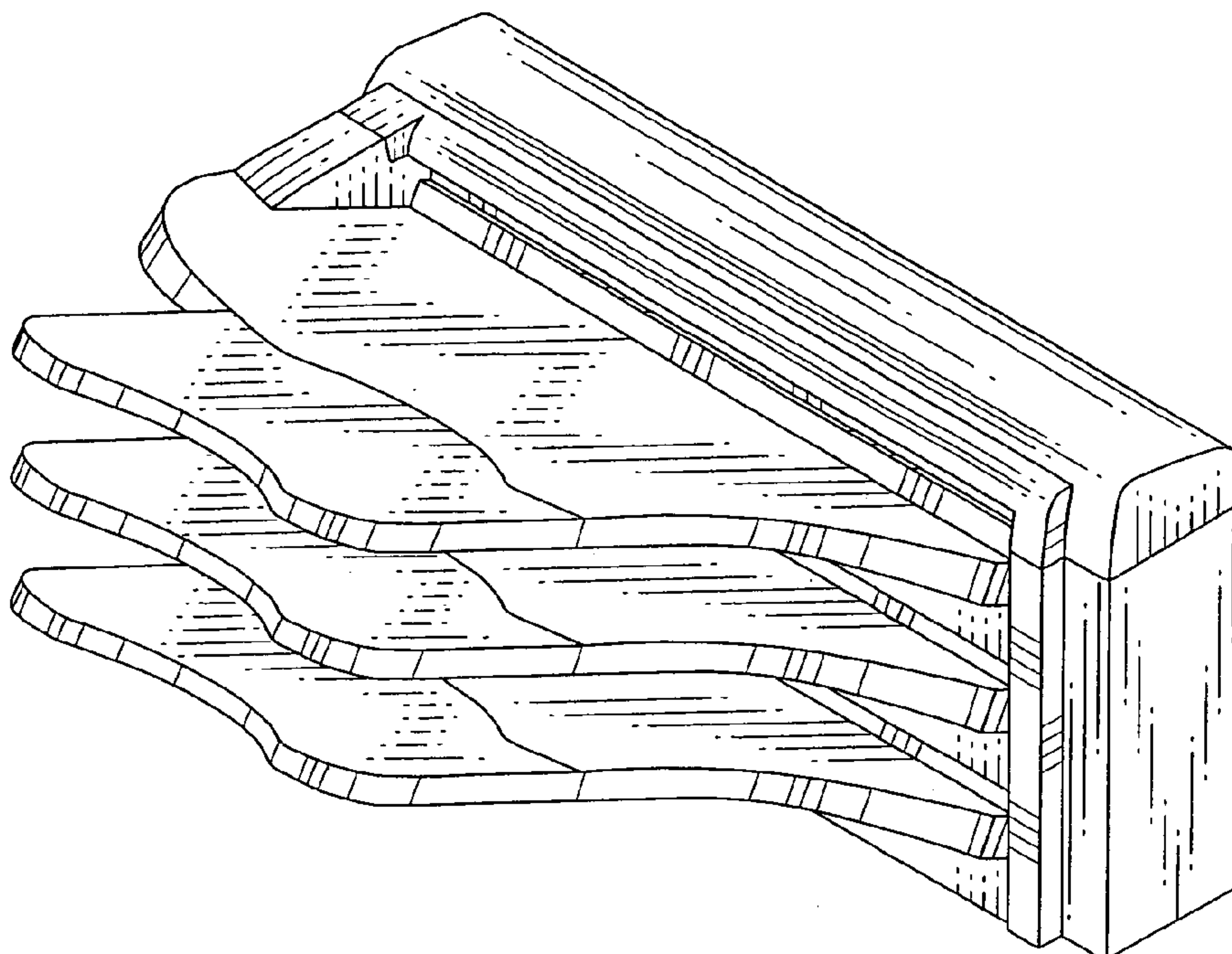


FIG.1

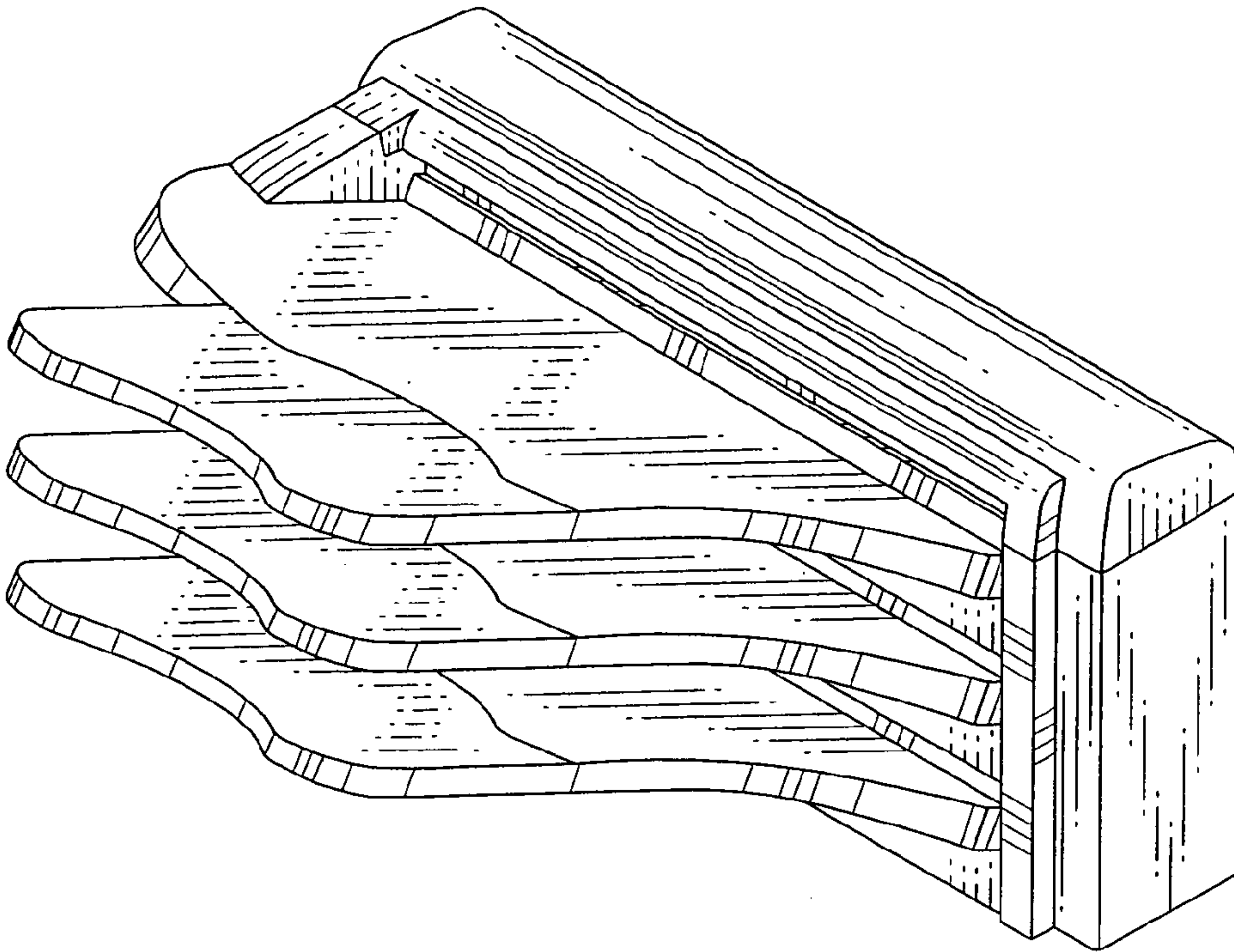


FIG.2

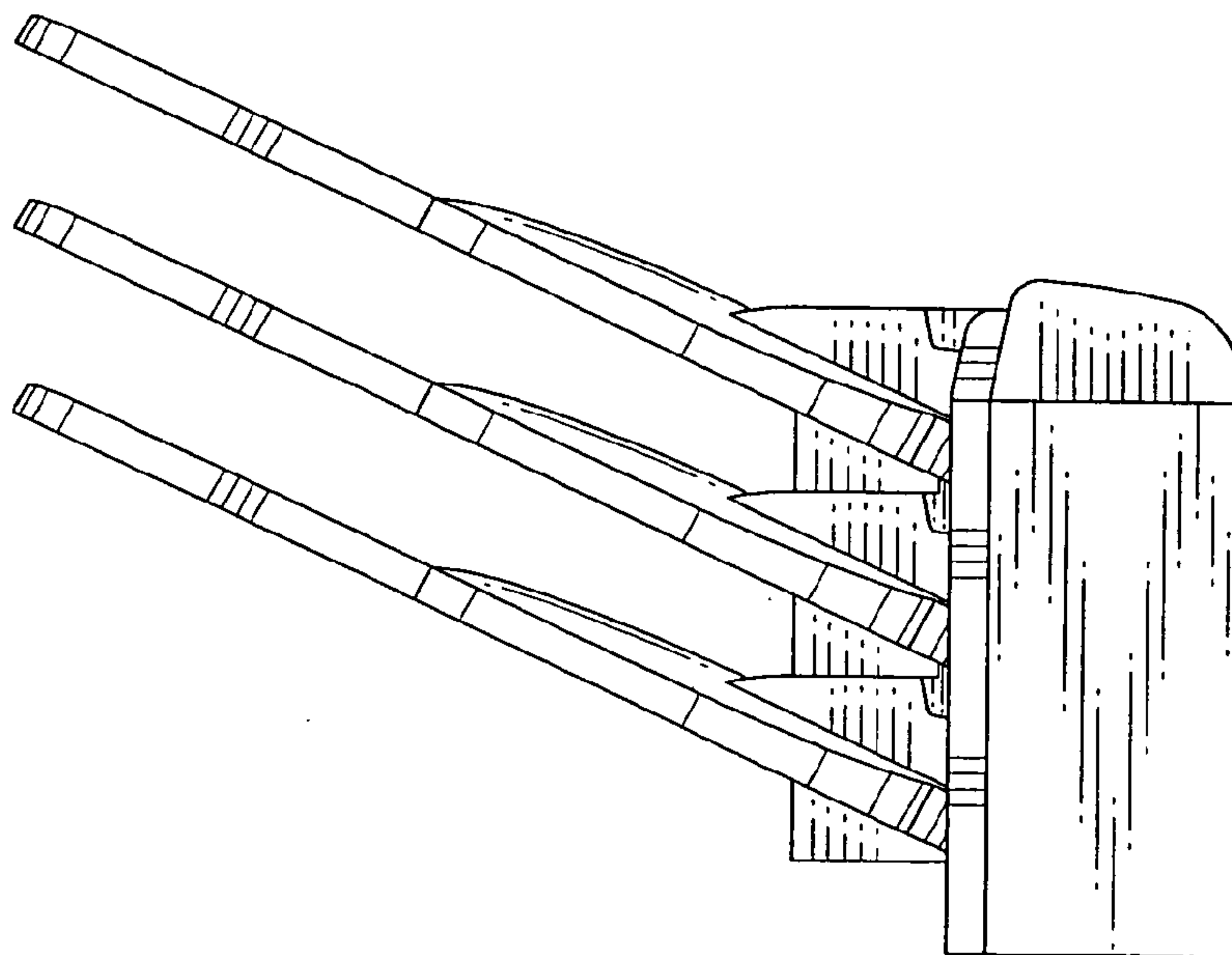


FIG.3

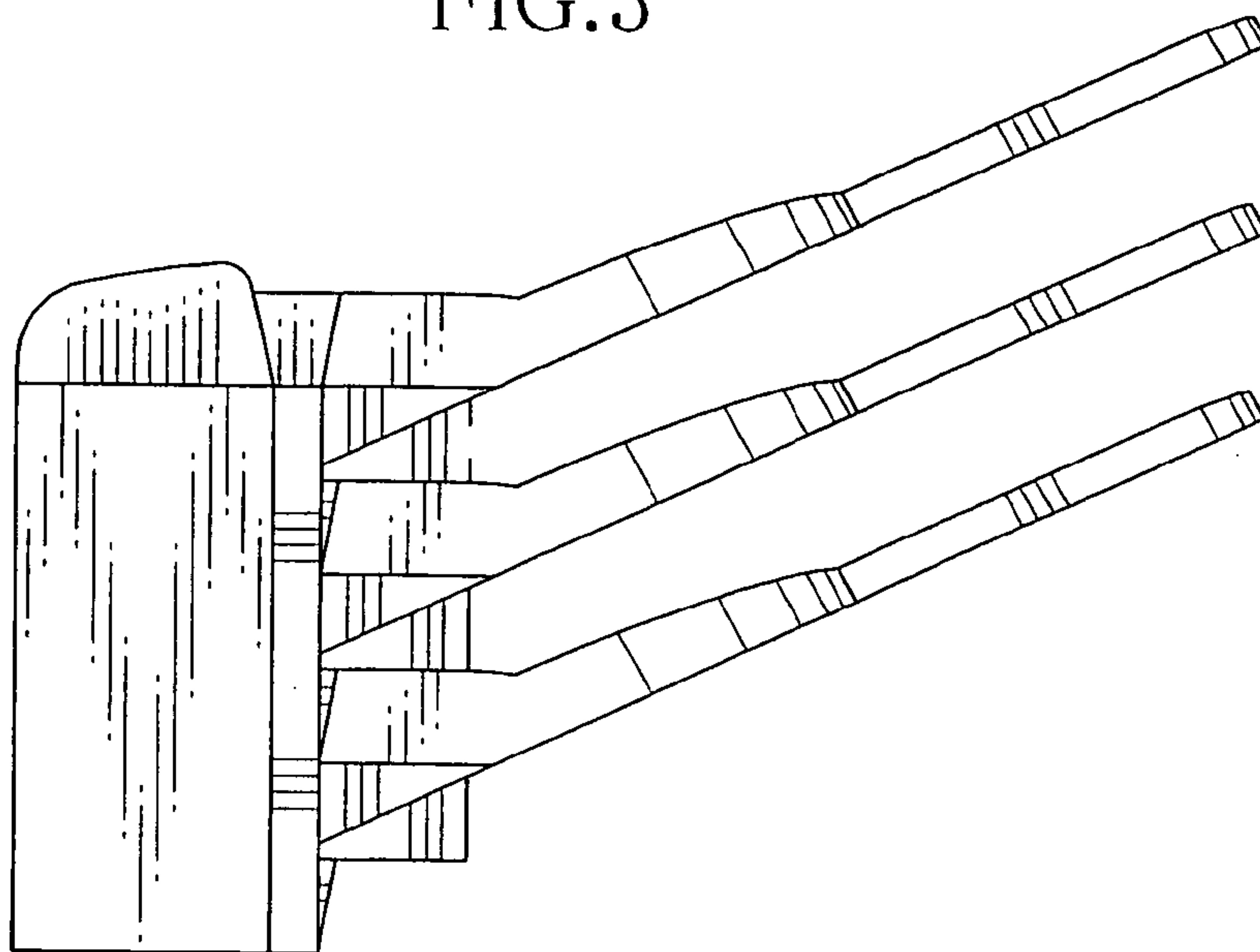


FIG.4

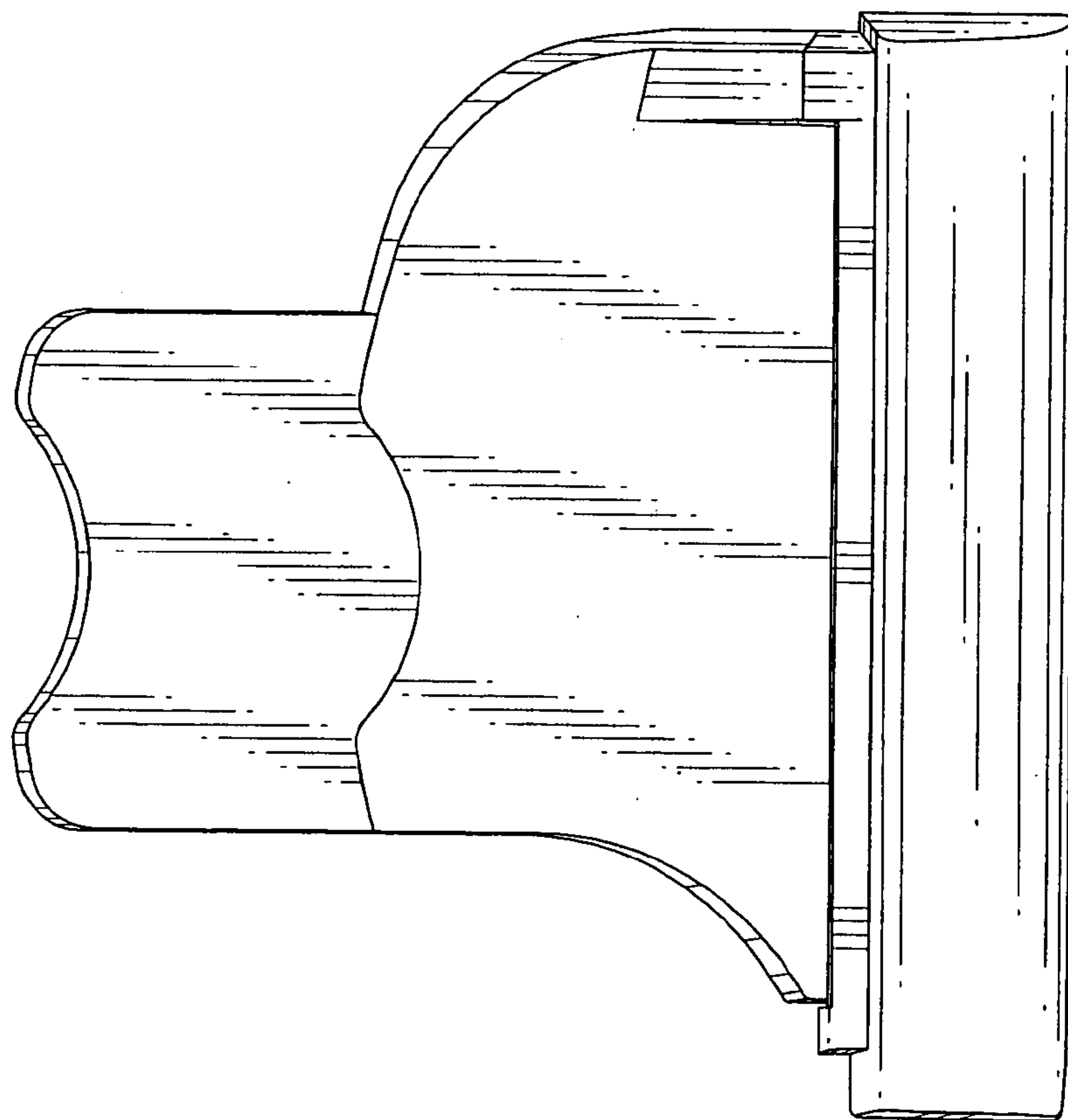


FIG.5

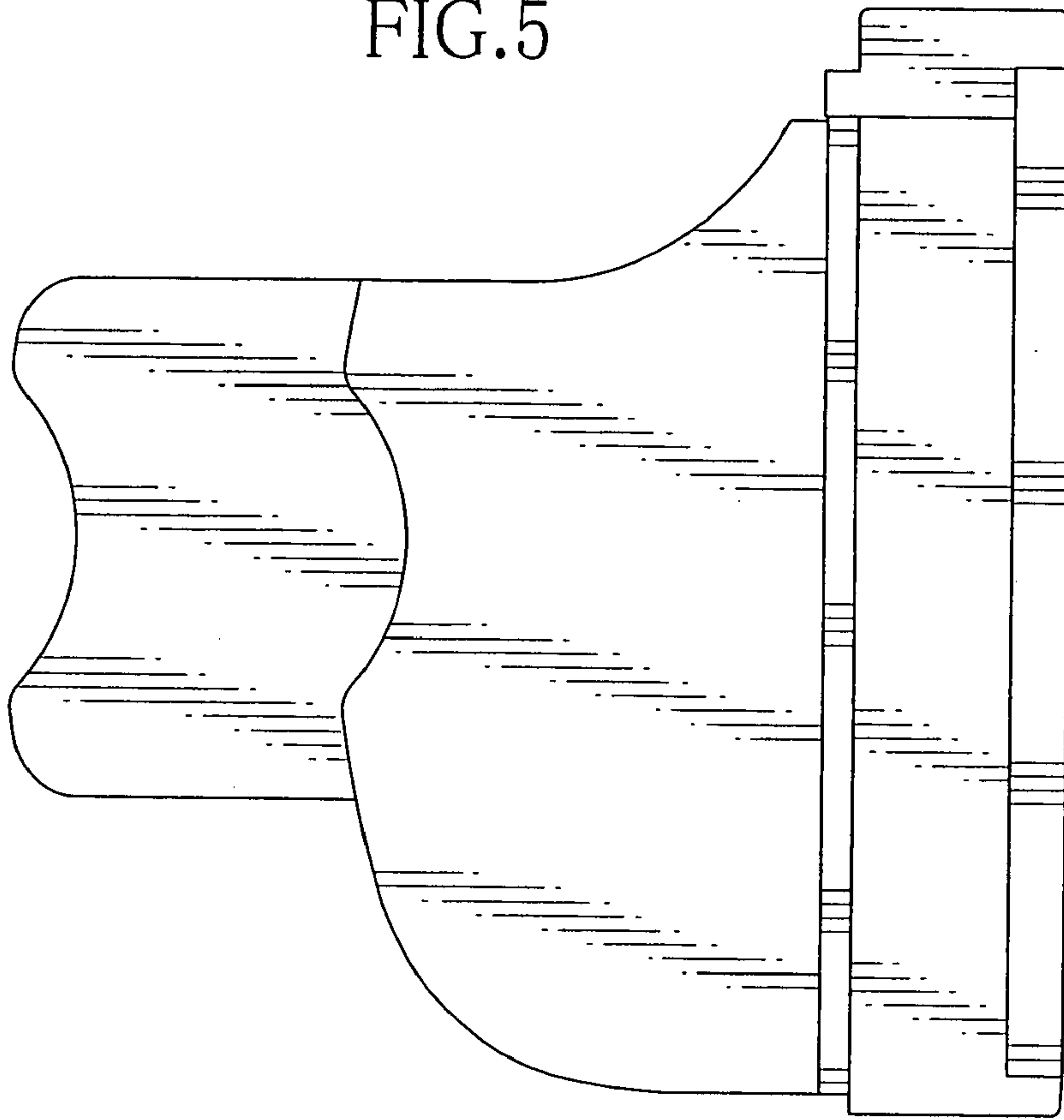


FIG.6

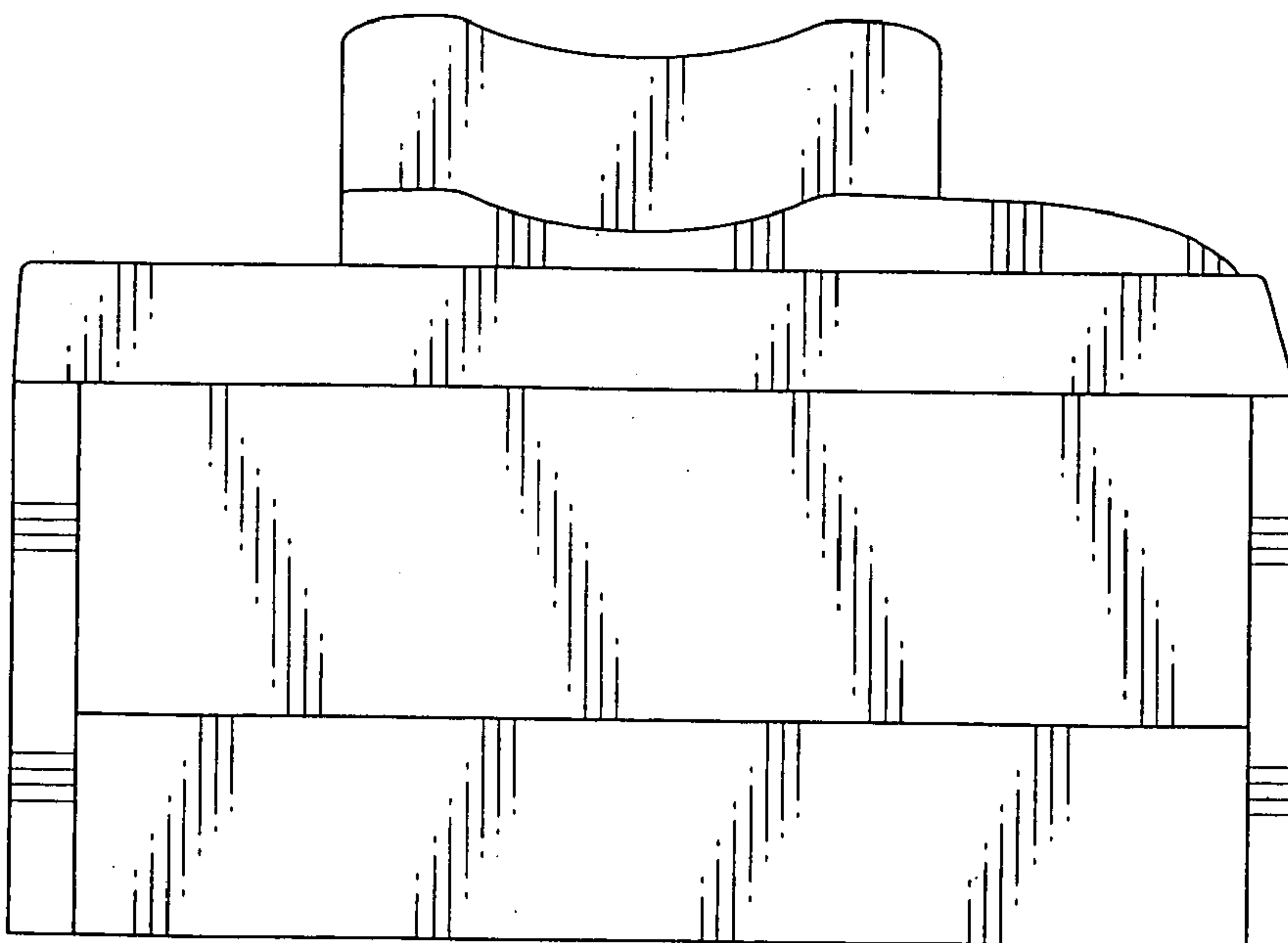


FIG. 7

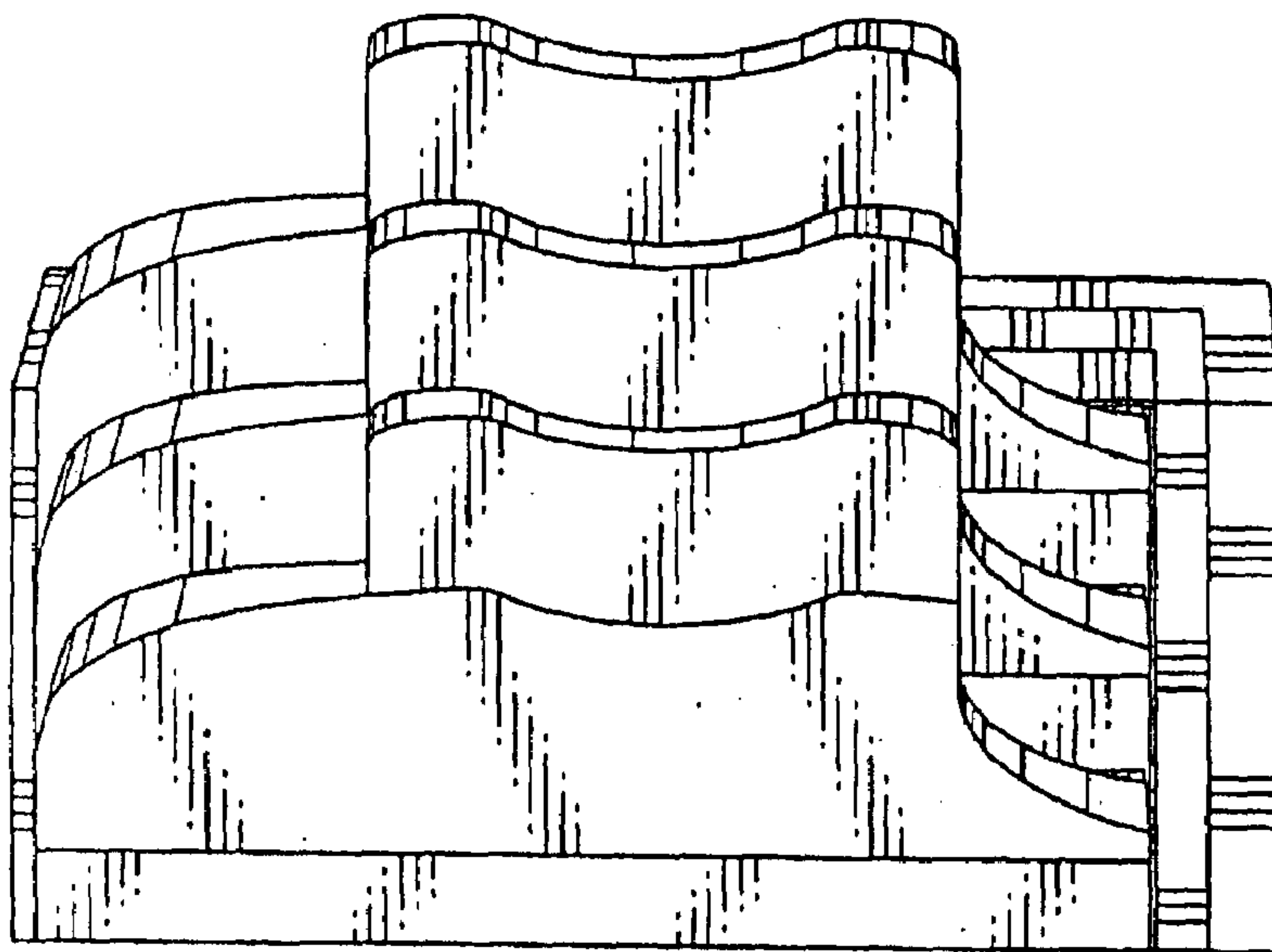


FIG. 8

