



US00D557807S

(12) **United States Design Patent**  
**McCarty**

(10) **Patent No.:** **US D557,807 S**

(45) **Date of Patent:** **\*\* Dec. 18, 2007**

(54) **COMBINED BLADE COVER AND ALIGNMENT MECHANISM FOR A LANCET**

(75) Inventor: **Read McCarty**, Hingham, MA (US)

(73) Assignee: **Hawaii Medical, Inc.**, Pembroke, MA (US)

(\*\*) Term: **14 Years**

(21) Appl. No.: **29/261,239**

(22) Filed: **Jun. 9, 2006**

(51) **LOC (8) Cl.** ..... **24-02**

(52) **U.S. Cl.** ..... **D24/146; D24/147**

(58) **Field of Classification Search** ..... D24/146,  
D24/147, 133, 130; 606/181, 182, 183, 184,  
606/167; 600/583; 604/289

See application file for complete search history.

(56) **References Cited**

U.S. PATENT DOCUMENTS

2,711,738	A *	6/1955	Kelly et al.	606/182
D245,040	S *	7/1977	Thomas	D24/147
D297,978	S *	10/1988	White	D24/147
D376,203	S *	12/1996	Schraga	D24/146
6,042,595	A *	3/2000	Morita	606/181
6,053,930	A *	4/2000	Ruppert	606/181
2005/0283177	A1 *	12/2005	Chen	606/181
2007/0088377	A1 *	4/2007	LeVaughn et al.	606/181
2007/0185515	A1 *	8/2007	Stout	606/181

\* cited by examiner

*Primary Examiner*—Ian Simmons

*Assistant Examiner*—Carissa C Fitts

(74) *Attorney, Agent, or Firm*—Chapin IP Law, LLC; Barry W. Chapin, Esq.

(57) **CLAIM**

The ornamental design for a combined blade cover and alignment mechanism for a lancet, as shown and described.

**DESCRIPTION**

FIG. 1 shows a perspective view of an combined blade cover and alignment mechanism for a lancet according to a preferred embodiment.

FIG. 2 shows a ride side view of an combined blade cover and alignment mechanism for a lancet according to FIG. 1;

FIG. 3 shows a left side view of an combined blade cover and alignment mechanism for a lancet according to FIG. 1;

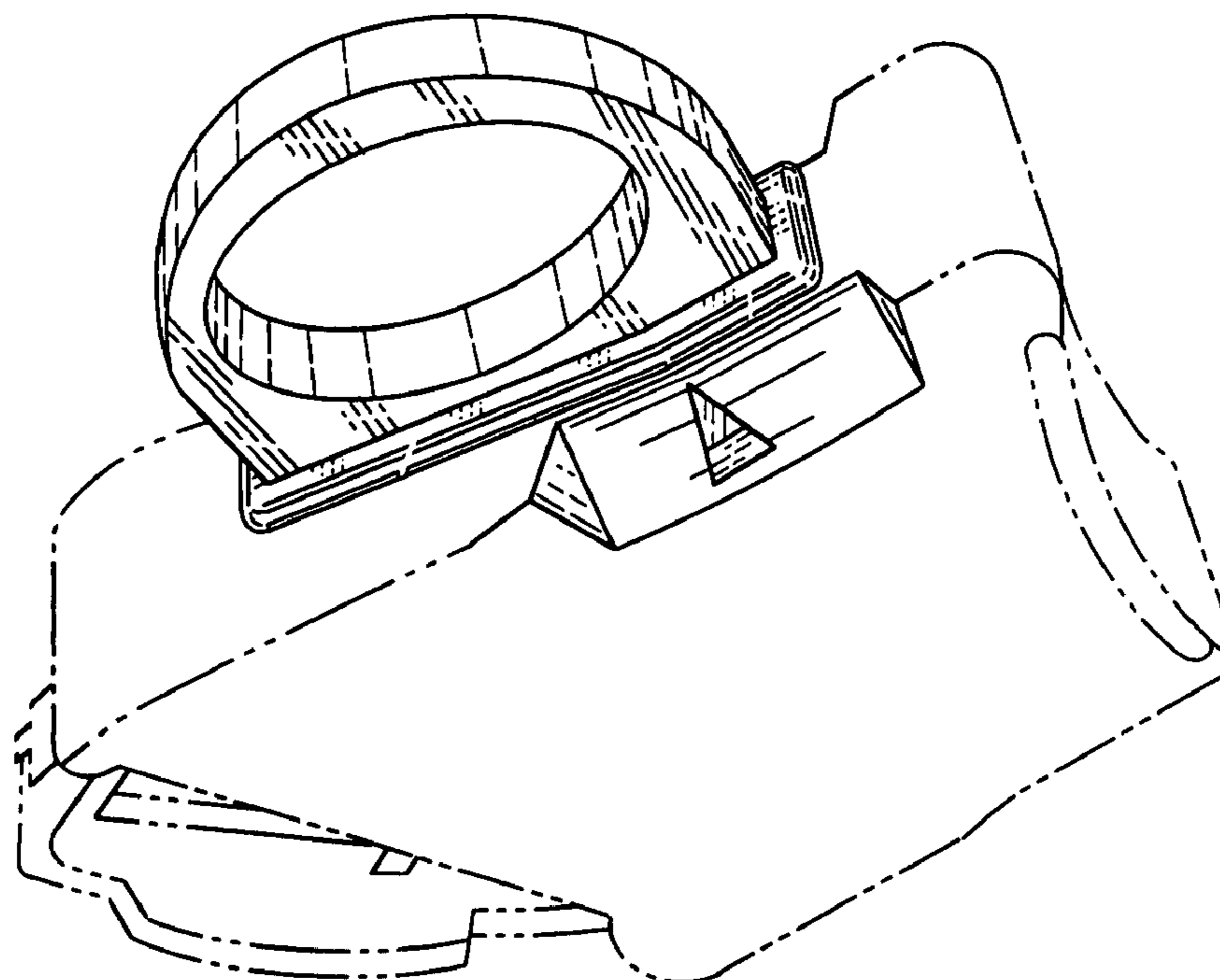
FIG. 4 shows a back view of an combined blade cover and alignment mechanism for a lancet according to FIG. 1;

FIG. 5 shows a front view of an combined blade cover and alignment mechanism for a lancet according to FIG. 1; and,

FIG. 6 shows a top view of an combined blade cover and alignment mechanism for a lancet according to FIG. 1.

The broken lines showing the housing and plunger of a conventional lancet assembly and unclaimed portions are for illustrative purposes only and form no part of the claimed design.

**1 Claim, 3 Drawing Sheets**



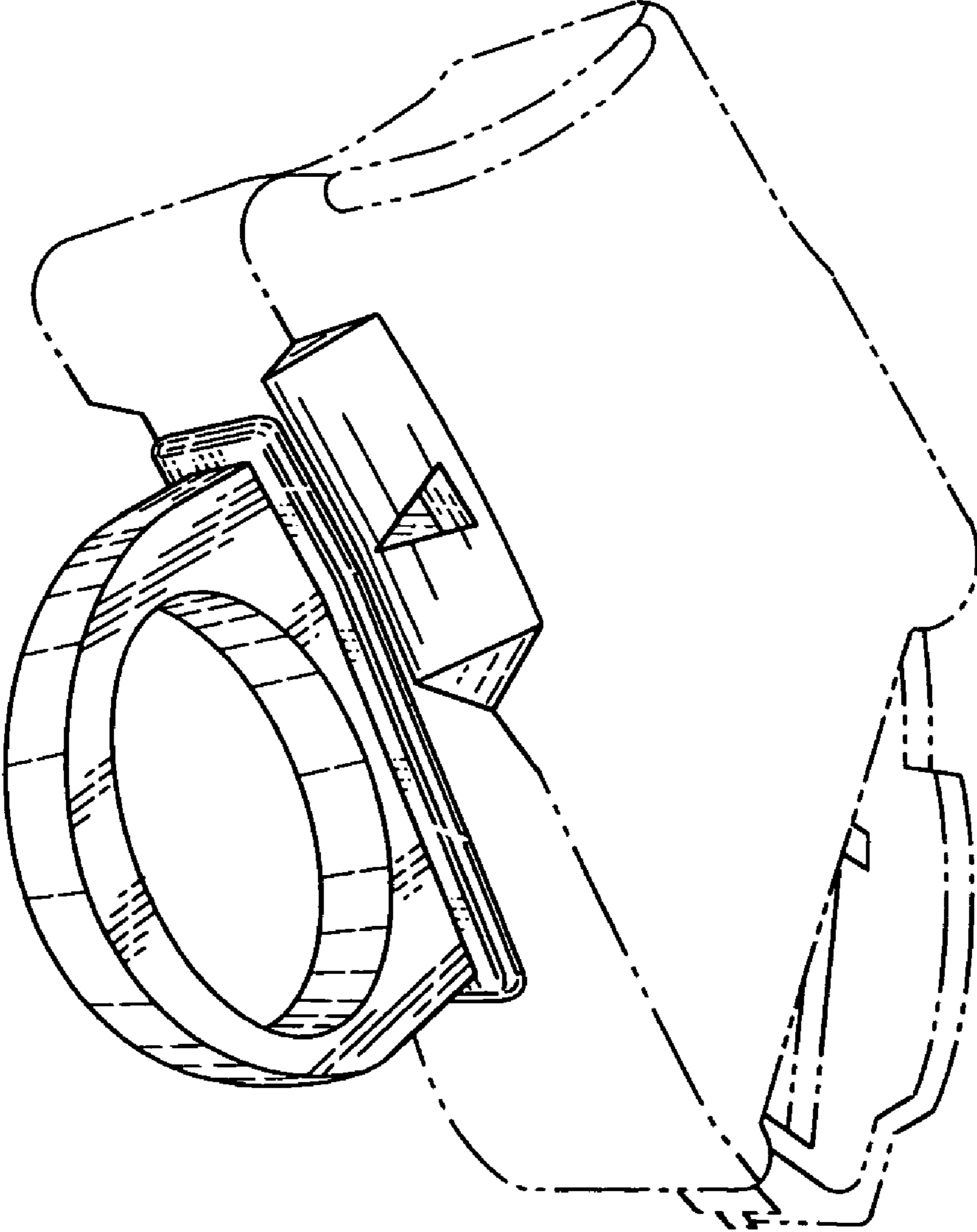


FIG. 1

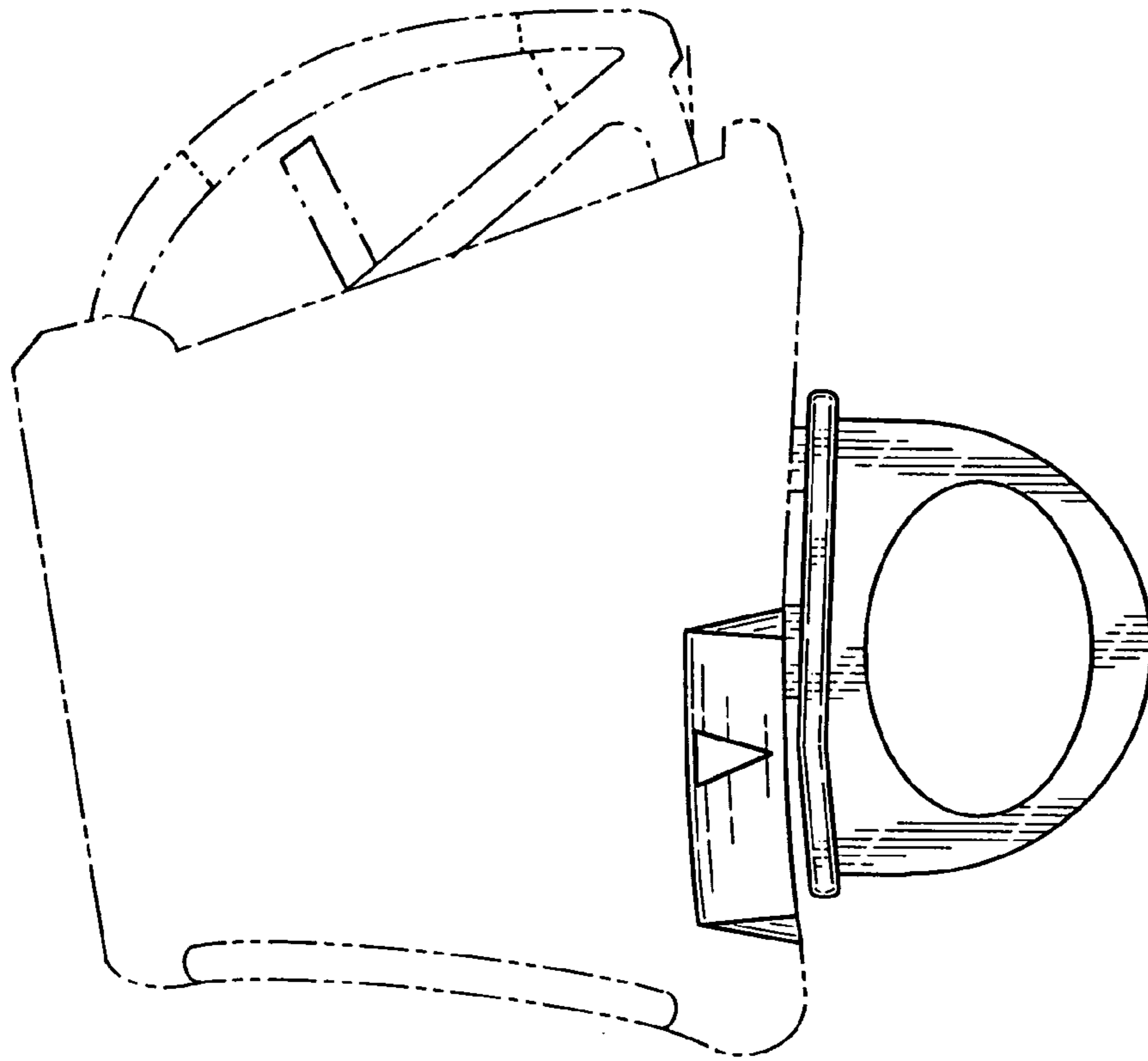


FIG. 3

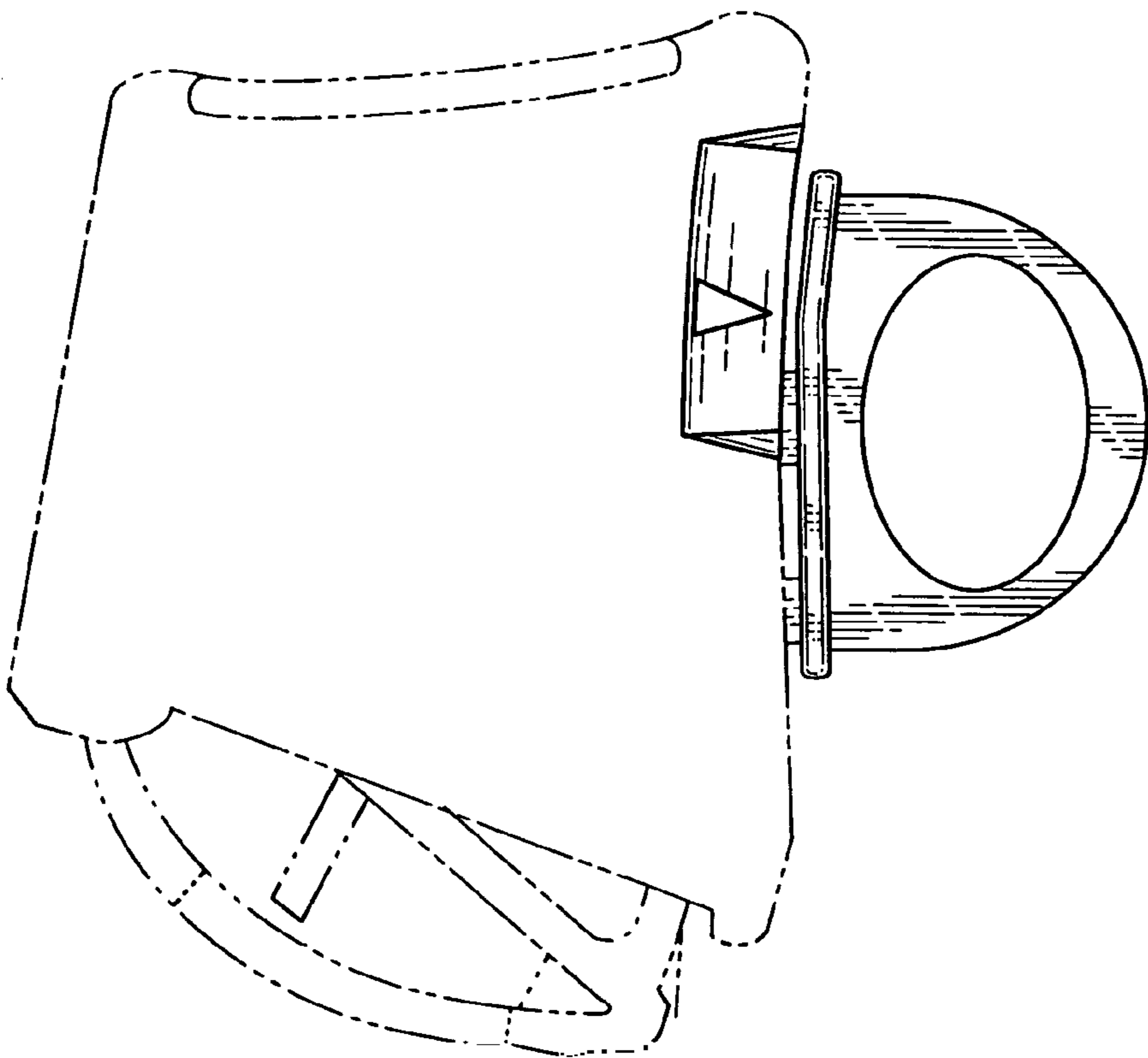


FIG. 2

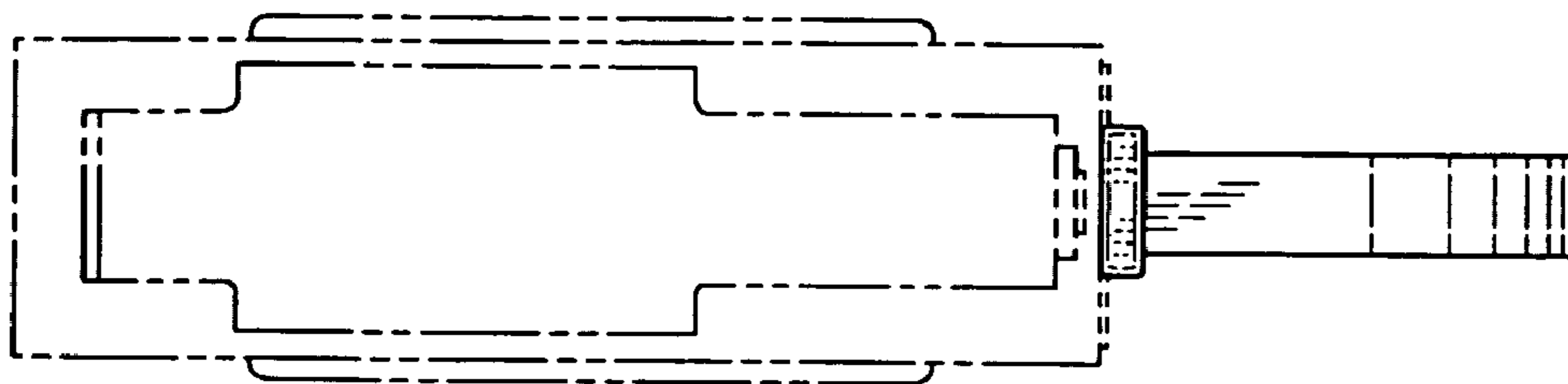


FIG. 4

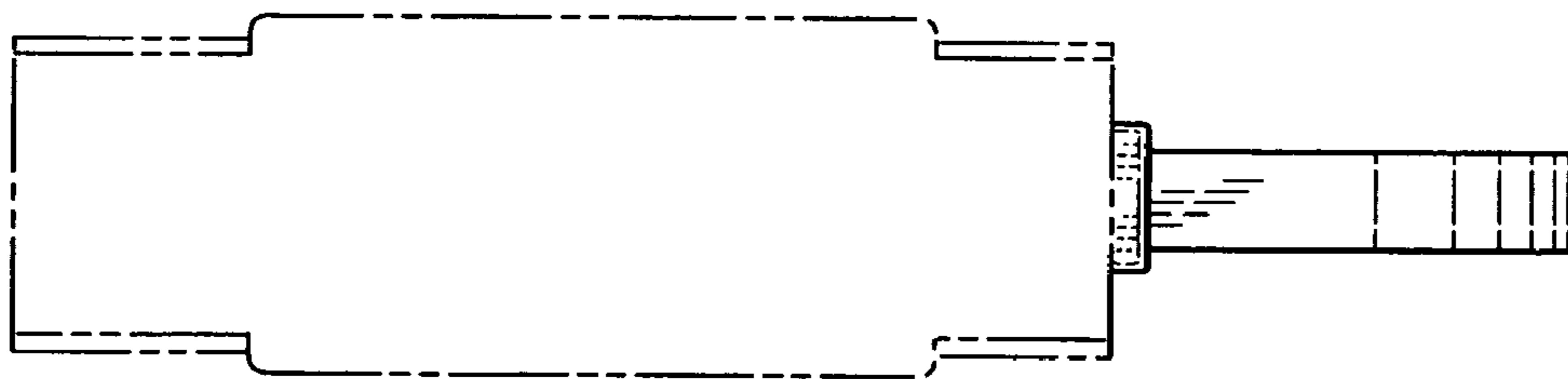


FIG. 5

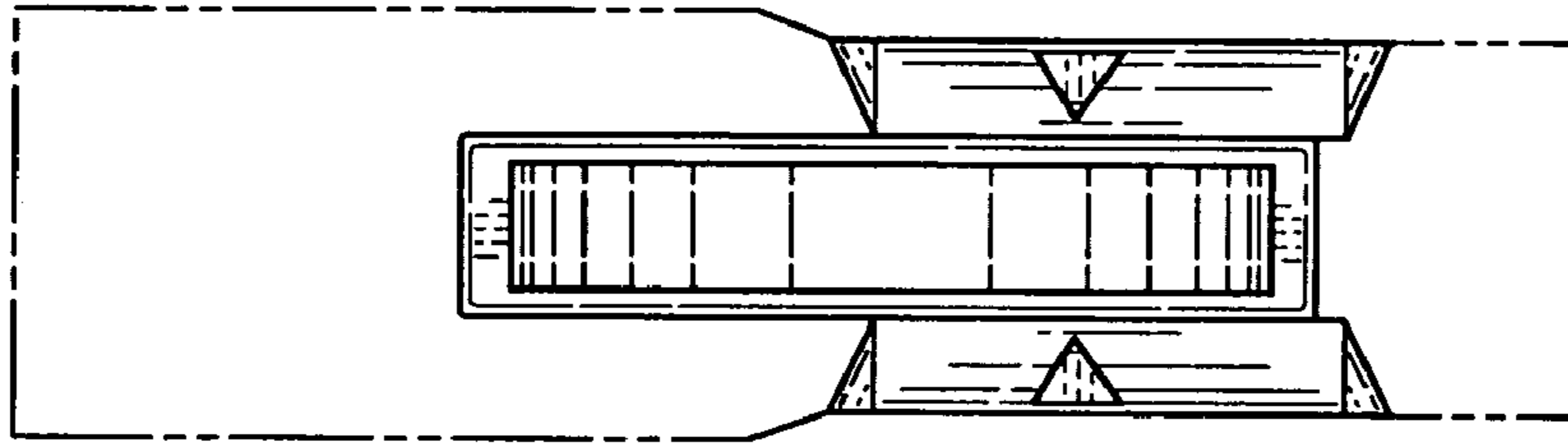


FIG. 6